



US00D901965S

(12) **United States Design Patent**
Carson

(10) **Patent No.:** **US D901,965 S**

(45) **Date of Patent:** **** Nov. 17, 2020**

- (54) **PORTABLE GRILL**
- (71) Applicant: **Jack L. Carson**, Valparaiso, FL (US)
- (72) Inventor: **Jack L. Carson**, Valparaiso, FL (US)
- (**) Term: **15 Years**
- (21) Appl. No.: **29/713,209**
- (22) Filed: **Nov. 14, 2019**
- (51) **LOC (12) Cl.** **07-02**
- (52) **U.S. Cl.**
USPC **D7/332**
- (58) **Field of Classification Search**
USPC D7/332-337, 362, 363, 402, 403, 409;
126/25 R, 9 R; D6/675.5
CPC A47J 37/0704; A47J 37/0786; A47J
37/0763; A47J 37/0694; A47J 37/0795;
A47J 2037/0777; A47J 33/00; F24B
1/202; F24B 1/205; F24B 1/207; F24C
1/16
See application file for complete search history.

- 6,546,851 B1 * 4/2003 Osborne A47J 37/0763
126/30
- D569,180 S * 5/2008 Rathburn D7/409
- 7,445,004 B1 * 11/2008 Milner F24B 1/205
126/215
- D586,610 S * 2/2009 Hu D7/337
- D618,482 S * 6/2010 Gaze D7/332
- 8,677,891 B2 3/2014 Stier
- 8,915,238 B2 12/2014 Goeken
- 9,215,950 B2 12/2015 Walker
- 9,709,273 B2 7/2017 Neuman
- 9,826,859 B1 11/2017 Steele
- 9,980,608 B2 5/2018 Leighton et al.
- D844,359 S * 4/2019 Hofer D7/332
- 2017/0205074 A1 * 7/2017 Pontano F24C 1/16

FOREIGN PATENT DOCUMENTS

- CA 3005576 A1 * 2/2019 A47J 37/0763
- * cited by examiner

Primary Examiner — Brett Miller
(74) *Attorney, Agent, or Firm* — Cramer Patent & Design, PLLC; Aaron R. Cramer

(57) **CLAIM**

The ornamental design for a portable grill, as shown and described.

DESCRIPTION

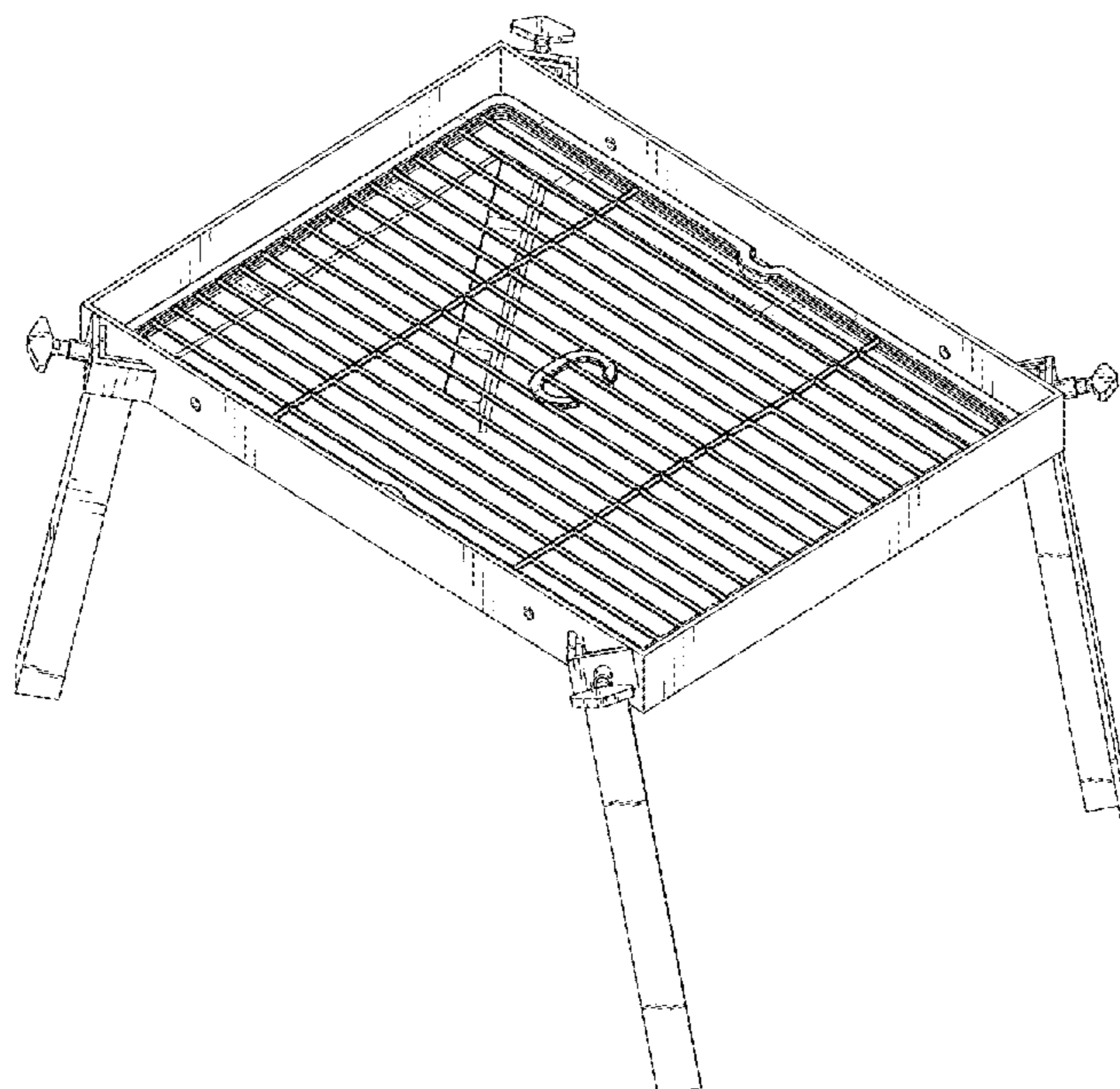
FIG. 1 is a perspective top front right view of a portable grill, showing my new design;
FIG. 2 is a perspective top rear left view thereof;
FIG. 3 is a front elevation view thereof, wherein a rear elevation view is an identical image thereof;
FIG. 4 is a right elevation view thereof, wherein a left elevation view is an identical image thereof;
FIG. 5 is a top plan view thereof; and,
FIG. 6 is a bottom plan view thereof.

1 Claim, 6 Drawing Sheets

(56) **References Cited**

U.S. PATENT DOCUMENTS

- D179,649 S * 2/1957 Maddox D7/332
- 4,920,950 A * 5/1990 Johnson F24B 1/205
126/154
- D329,764 S * 9/1992 Evans D6/675.5
- 5,317,961 A * 6/1994 Shinler A47J 33/00
126/25 R
- D356,005 S * 3/1995 Goble D7/337
- 5,452,706 A * 9/1995 Meza A47J 37/0763
126/29
- 6,131,560 A * 10/2000 Healy A47J 37/0763
126/30
- 6,135,014 A * 10/2000 Chang A47J 37/0763
126/25 R



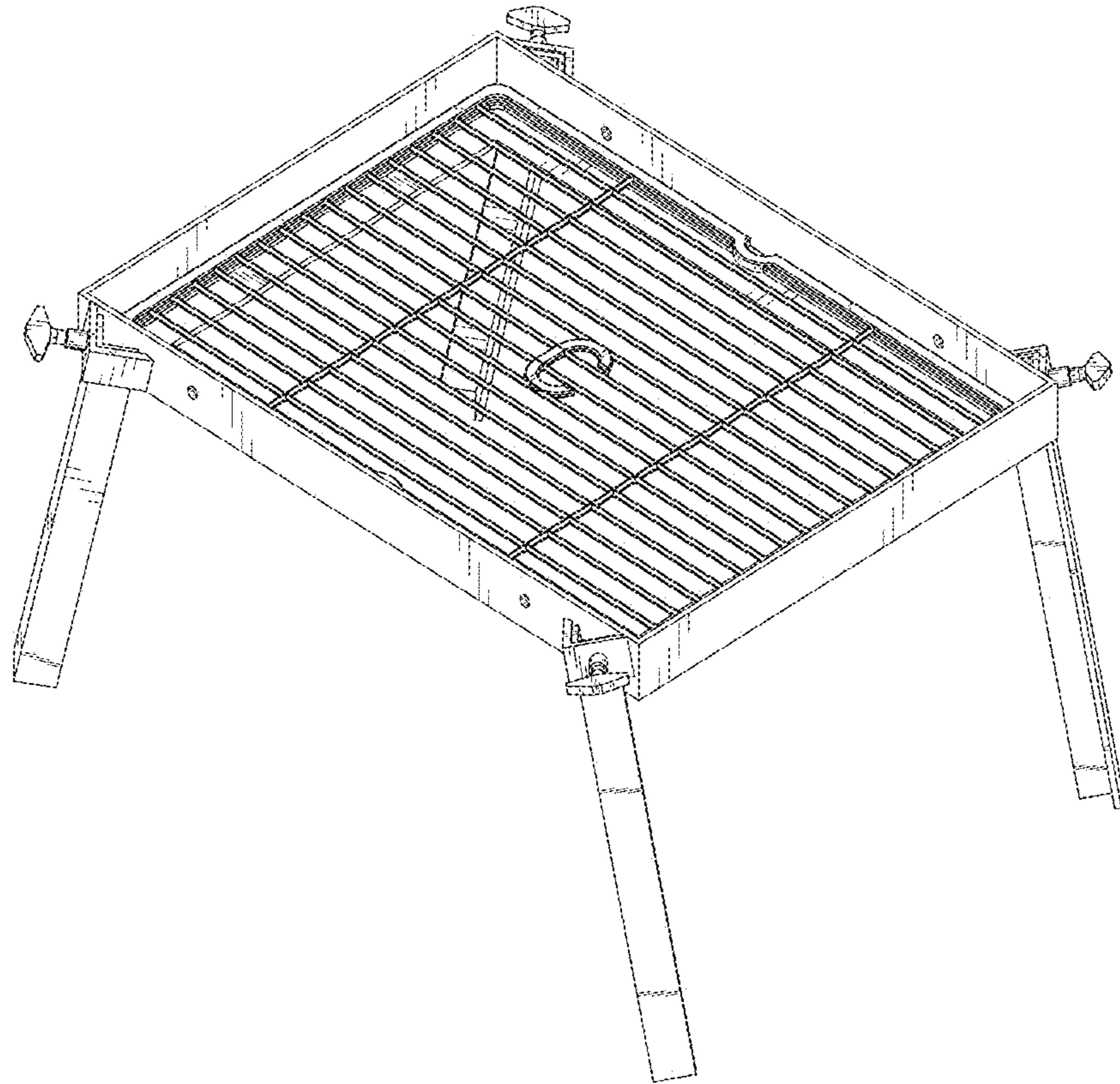


FIG. 1

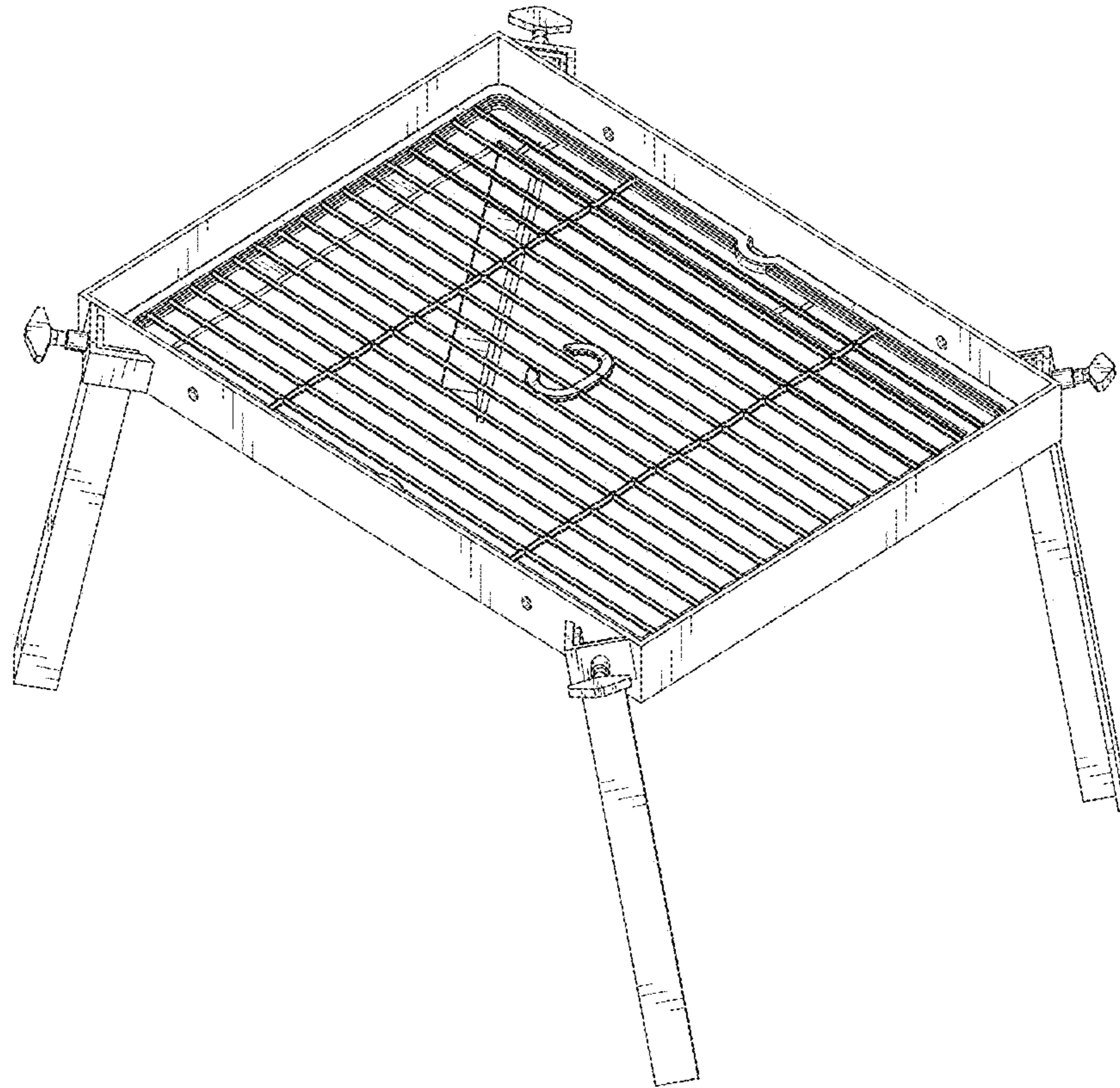


FIG. 2

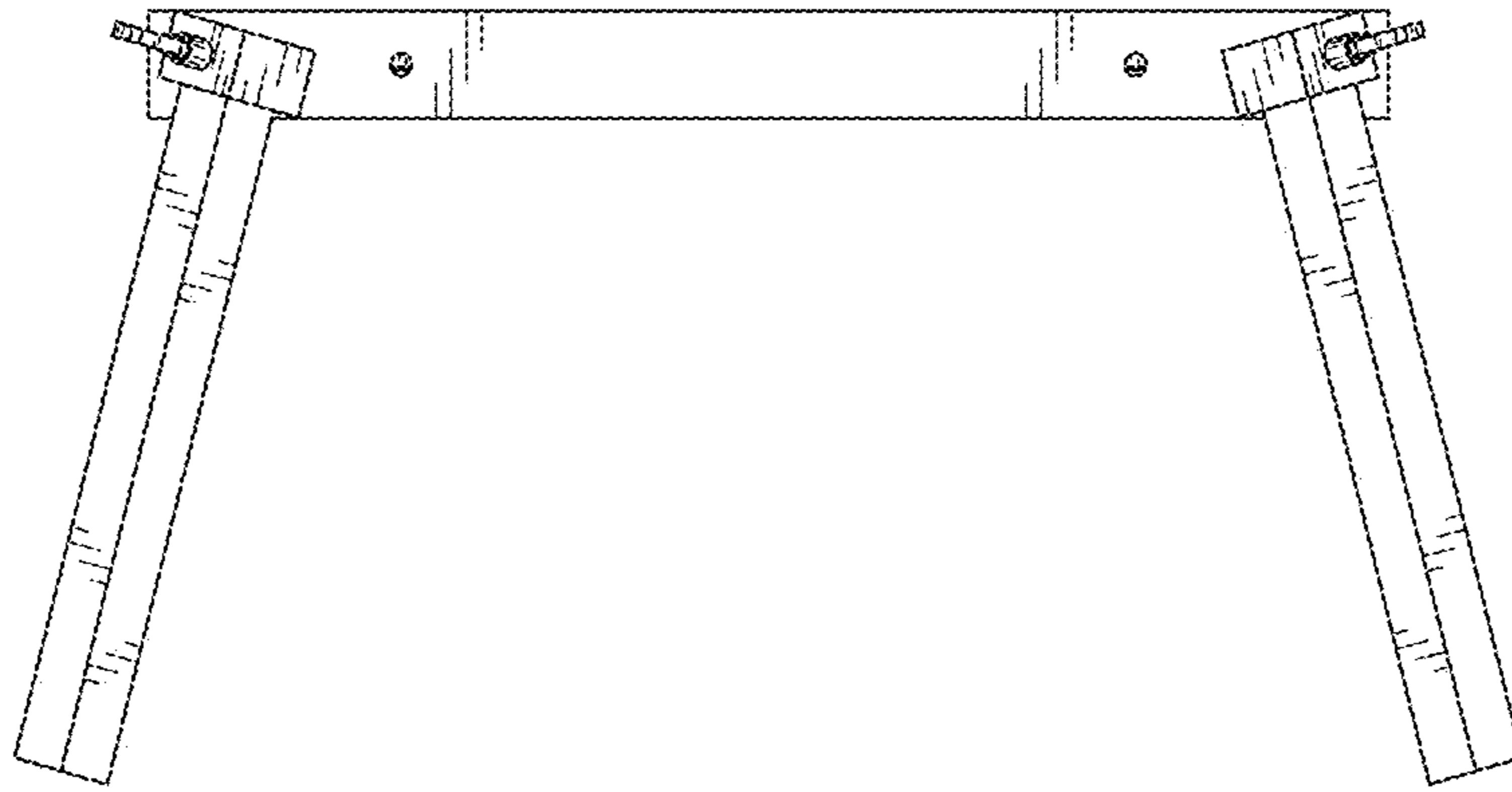


FIG. 3

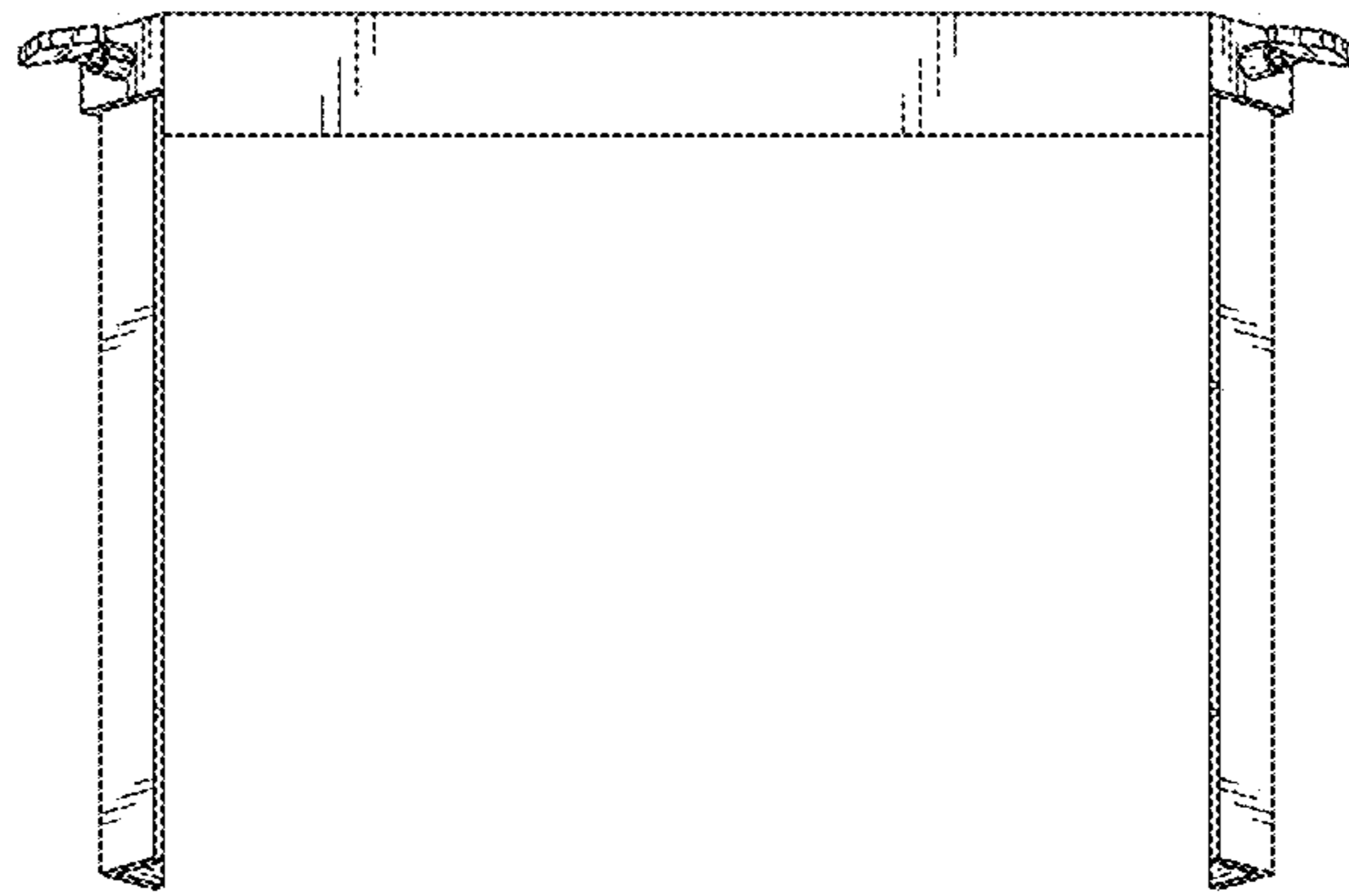


FIG. 4

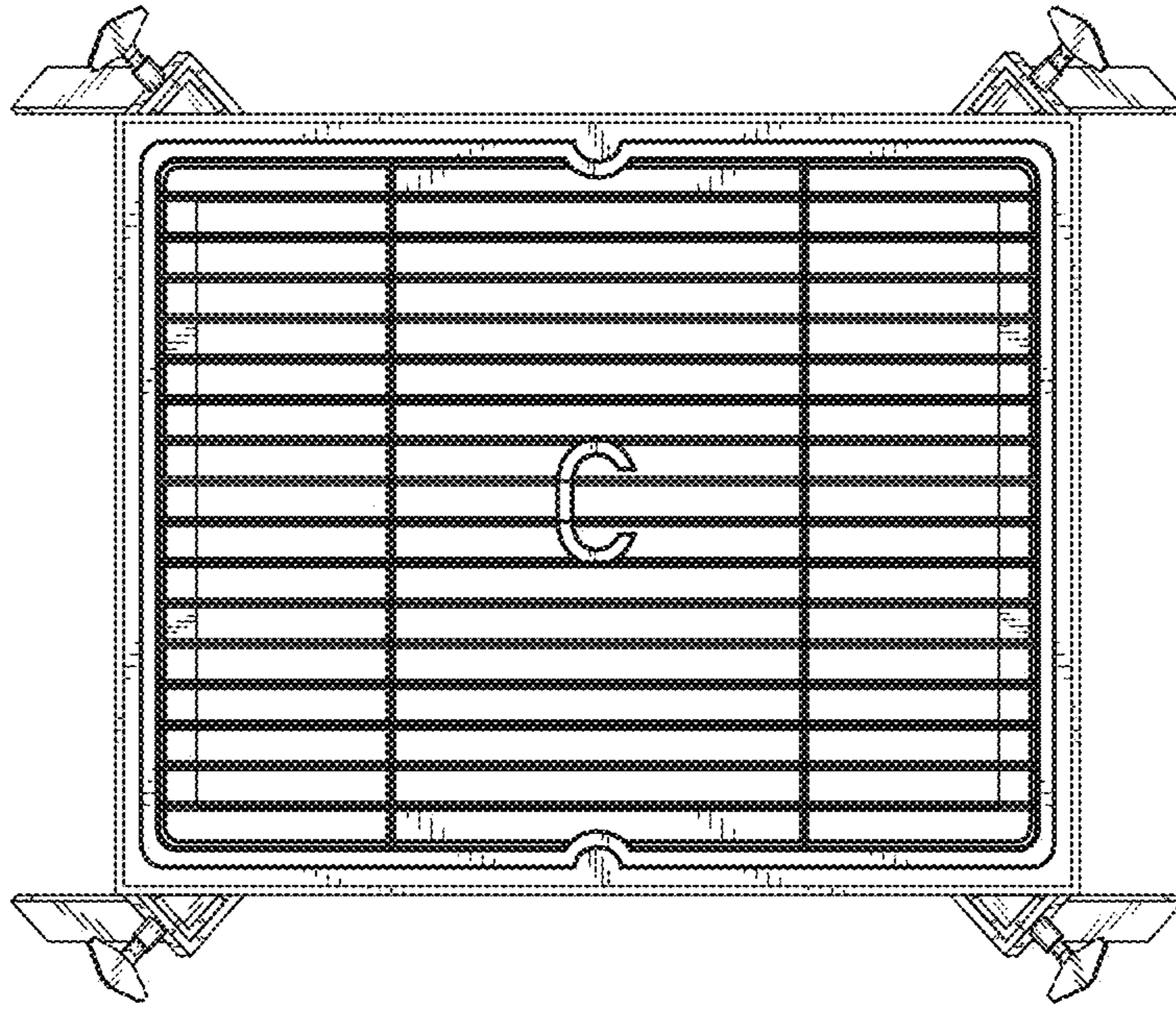


FIG. 5

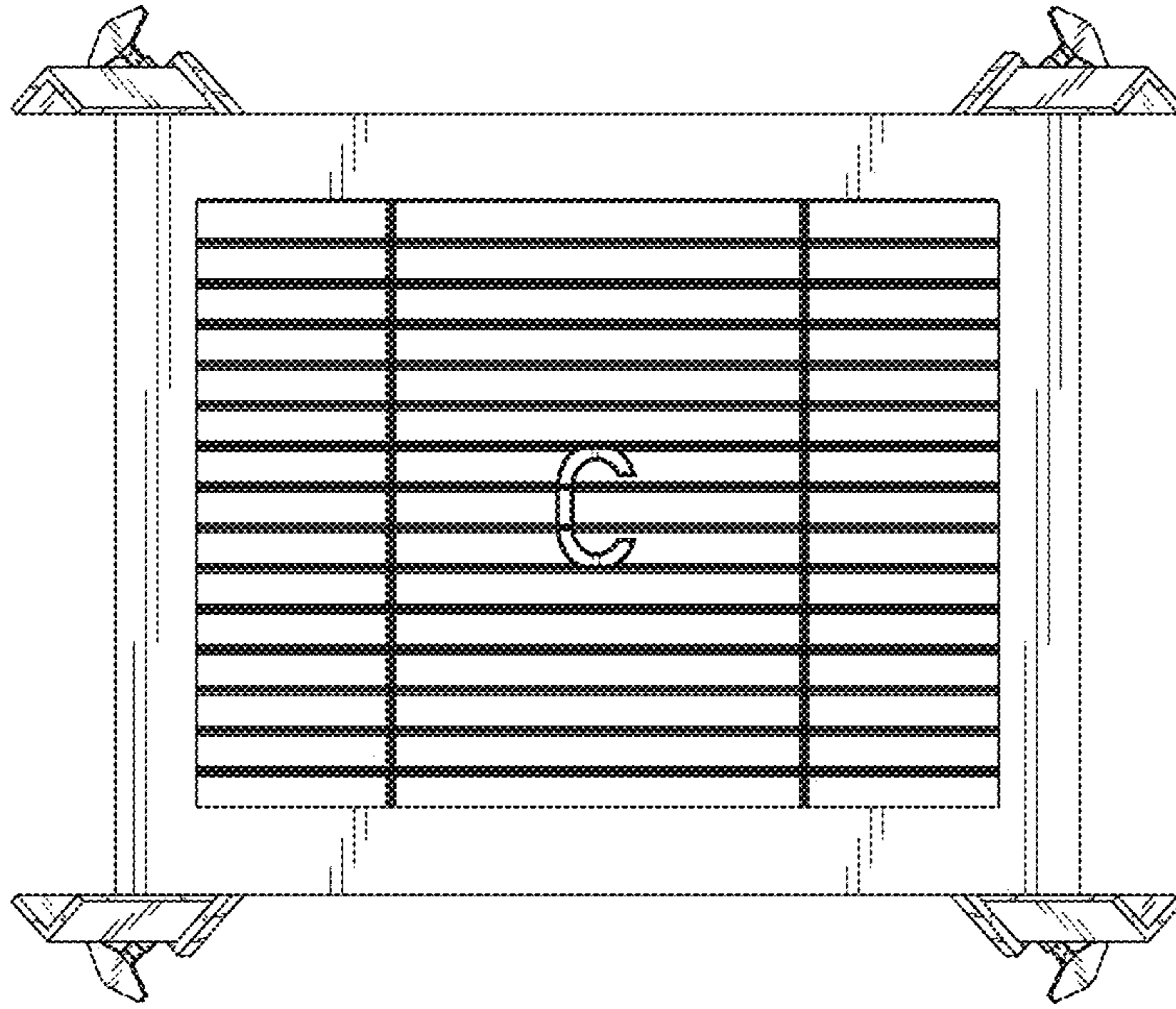


FIG. 6