



US00D901964S

(12) **United States Design Patent**
Nie

(10) **Patent No.:** **US D901,964 S**

(45) **Date of Patent:** **** Nov. 17, 2020**

(54) **TOASTER**

(71) Applicant: **Jiangmen City Xinhui Henglong Innovative Housewares Co., LTD.**, Guangdong (CN)

(72) Inventor: **Huayao Nie**, Guangdong (CN)

(73) Assignee: **Jiangmen City Xinhui Henglong Innovative Housewares Co., LTD.**, Guangdong (CN)

(**) Term: **15 Years**

(21) Appl. No.: **29/692,242**

(22) Filed: **May 23, 2019**

(51) **LOC (12) Cl.** **07-02**

(52) **U.S. Cl.**
USPC **D7/330**

(58) **Field of Classification Search**
USPC D7/323, 328-330, 337, 352, 362, 390, D7/409

CPC . A21B 2/00; A47J 37/00; A47J 37/044; A47J 37/06; A47J 37/0611; A47J 37/08; A47J 37/0807; A47J 37/0814; A47J 37/0835; A47J 37/0842; A47J 37/085; A47J 37/0864; A47J 37/0878; A47J 37/0885; A47J 37/0892; F24C 15/10; F24C 15/102
See application file for complete search history.

(56) **References Cited**

U.S. PATENT DOCUMENTS

D380,338 S * 7/1997 Carbone D7/328
D413,759 S * 9/1999 Carrere D7/352

D446,679 S * 8/2001 Lin D7/352
D504,795 S * 5/2005 Schulte D7/337
D532,642 S * 11/2006 Wilgus D7/337
D583,184 S * 12/2008 DeLong D7/329
D679,134 S * 4/2013 Valera D7/352
D685,605 S * 7/2013 Xin D7/352
D750,416 S * 3/2016 Meraz D7/352
D823,633 S * 7/2018 Dash D7/352
D845,059 S * 4/2019 Nie D7/352

* cited by examiner

Primary Examiner — Ricky Pham

(74) *Attorney, Agent, or Firm* — C. Brandon Browning; Maynard, Cooper & Gale, PC

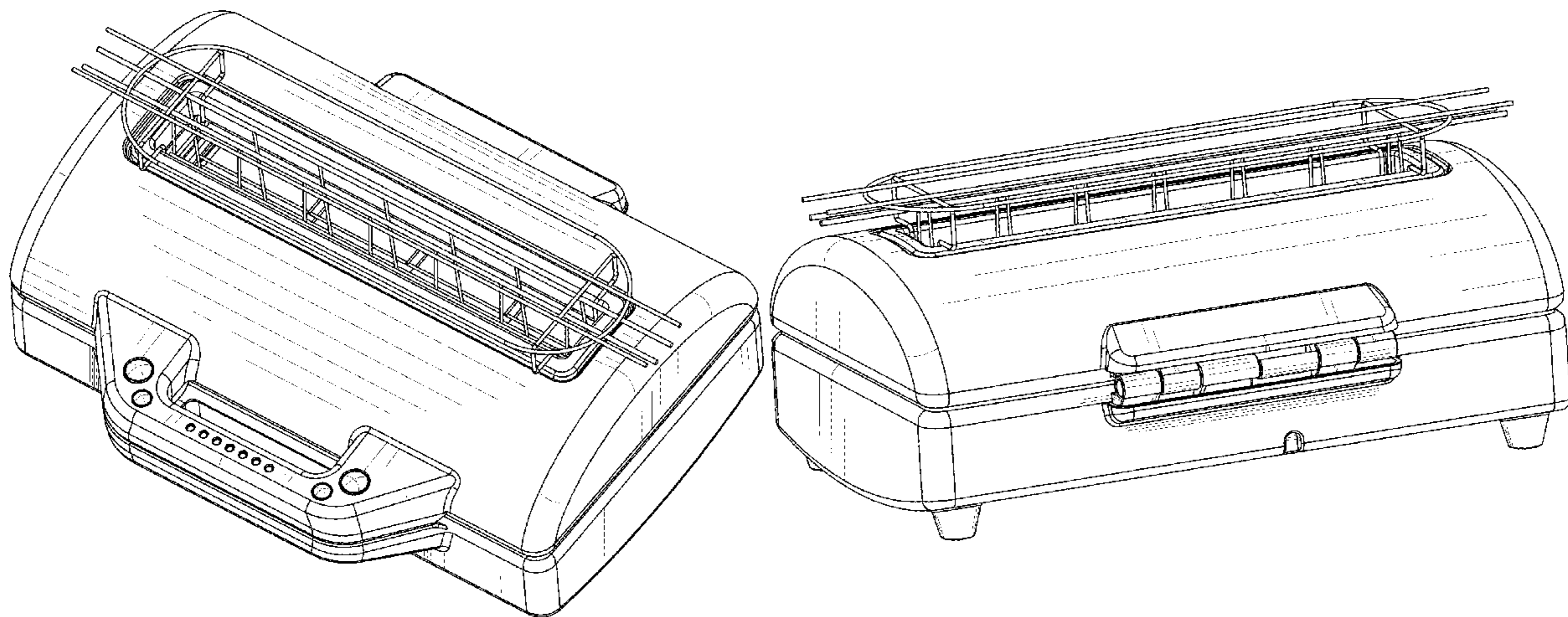
(57) **CLAIM**

I claim the ornamental design for a toaster, as shown and described.

DESCRIPTION

FIG. 1 is a front view of a toaster showing my new design; FIG. 2 is a rear view thereof; FIG. 3 is a left-side view thereof; FIG. 4 is a right-side view thereof; FIG. 5 is a top view thereof; FIG. 6 is a bottom view thereof; FIG. 7 is a front perspective view thereof; FIG. 8 is a rear perspective view thereof; and, FIG. 9 is another rear perspective view thereof. The broken lines shown in the drawings are for the purpose of illustrating portions of the toaster that form no part of the claimed design.

1 Claim, 9 Drawing Sheets



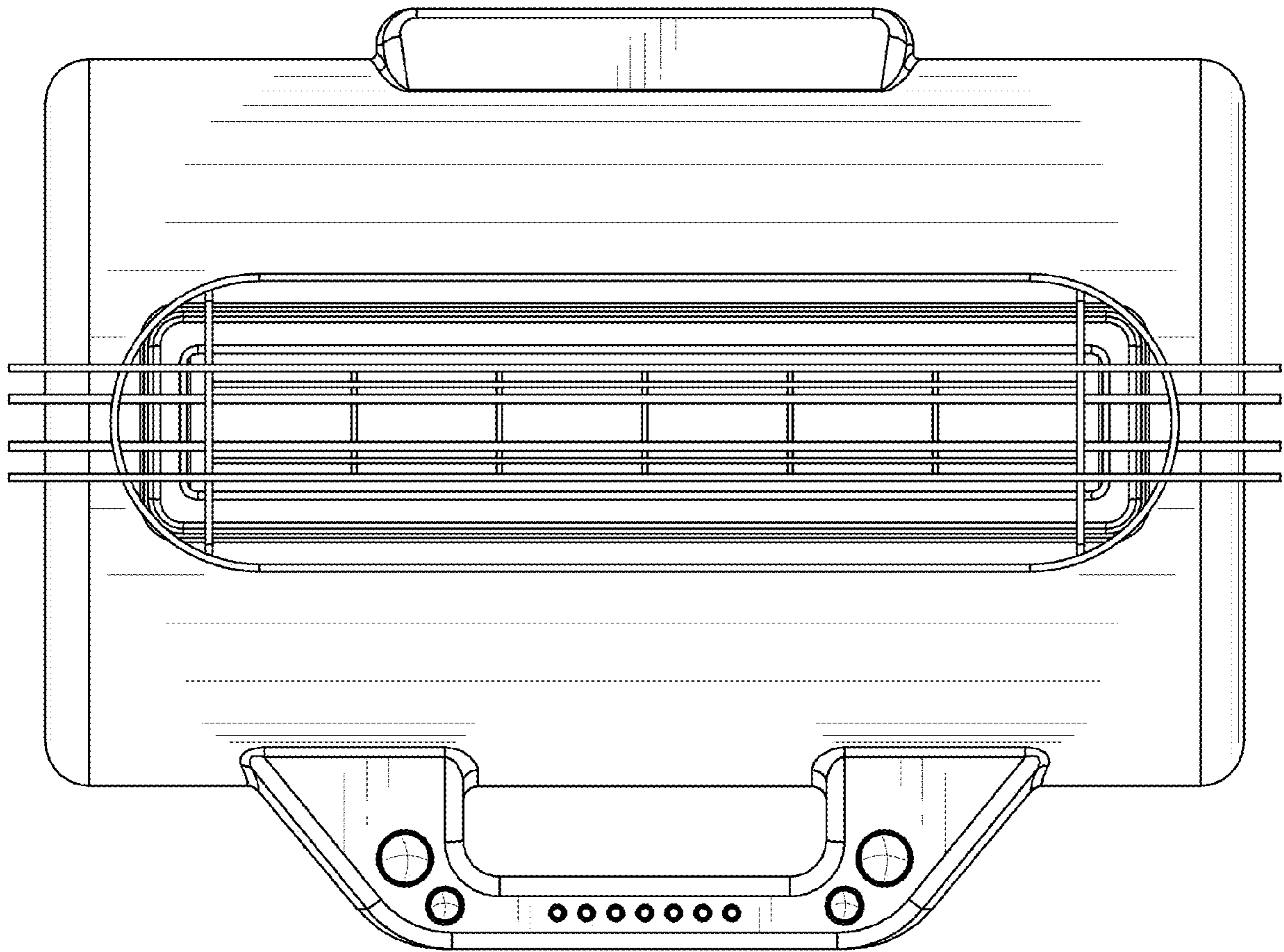


FIG. 1

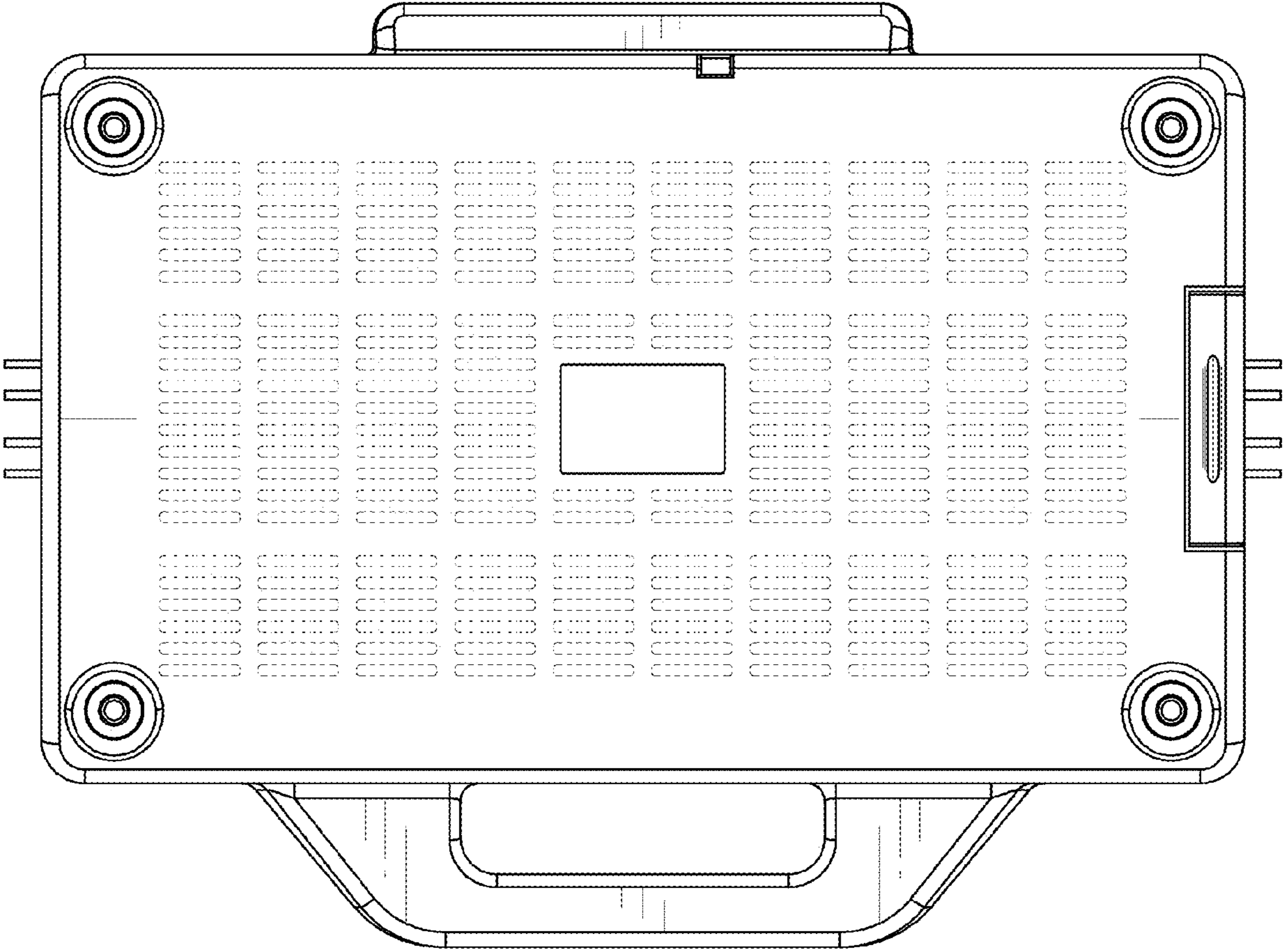


FIG. 2

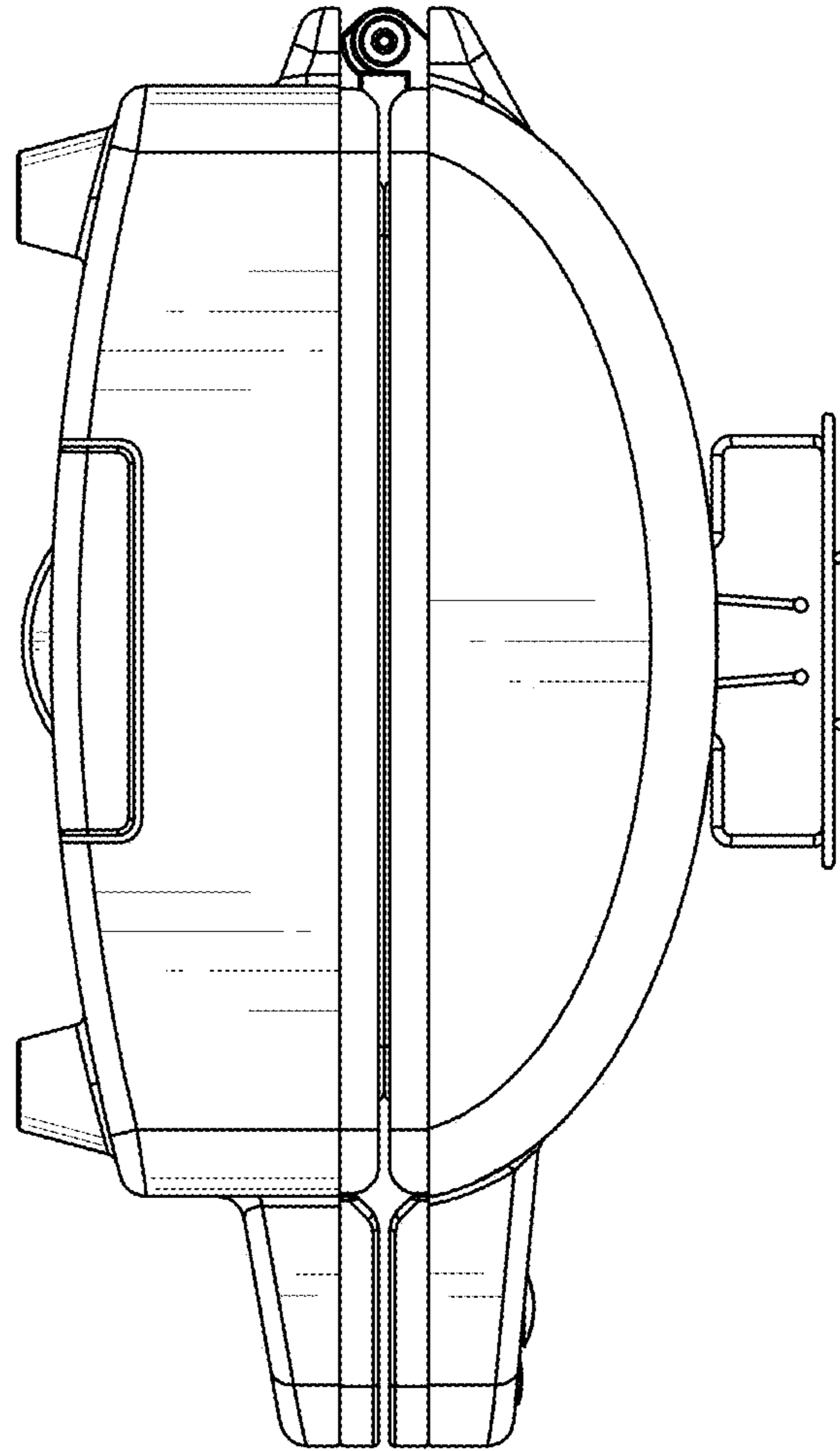


FIG. 3

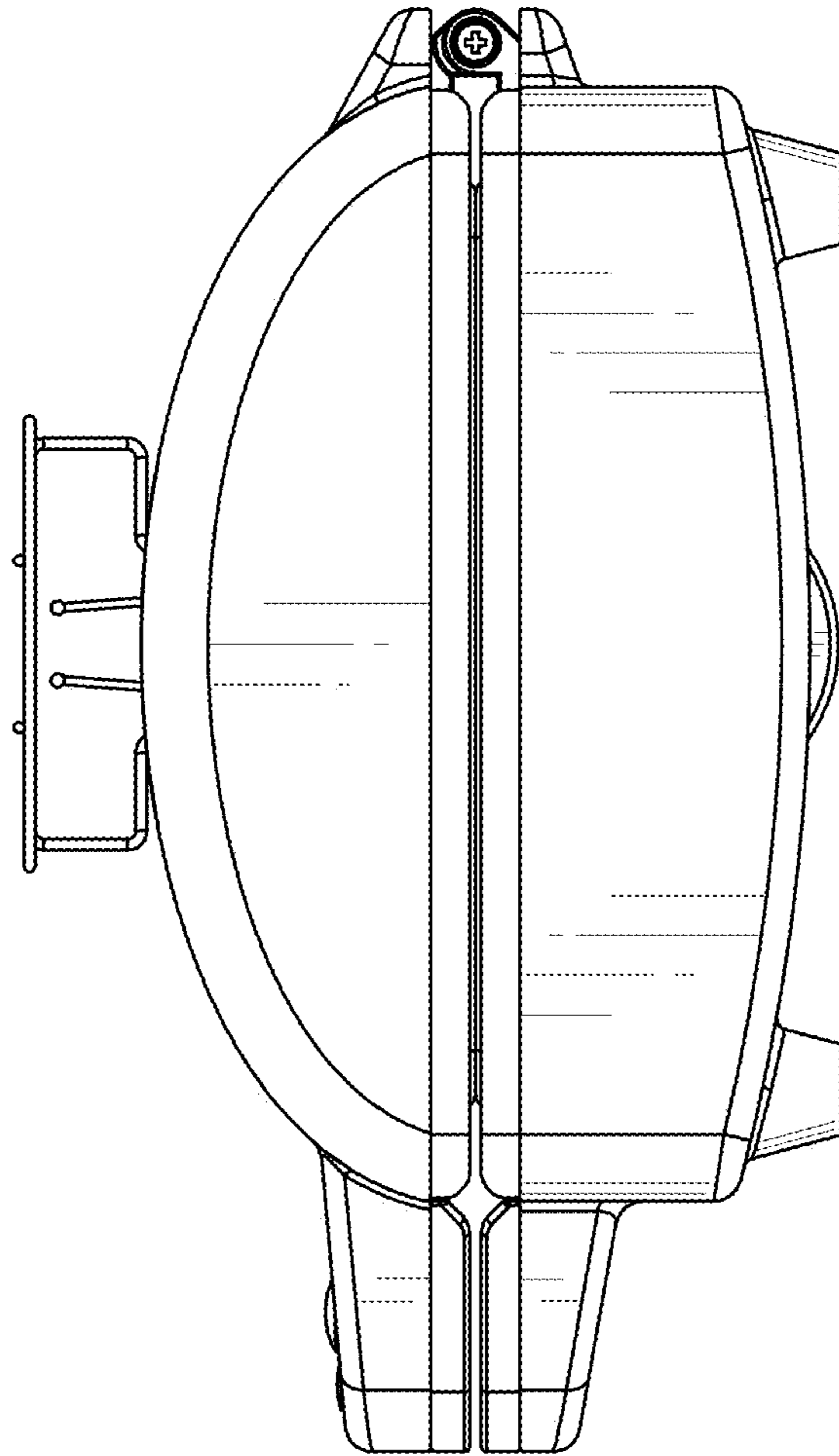


FIG. 4

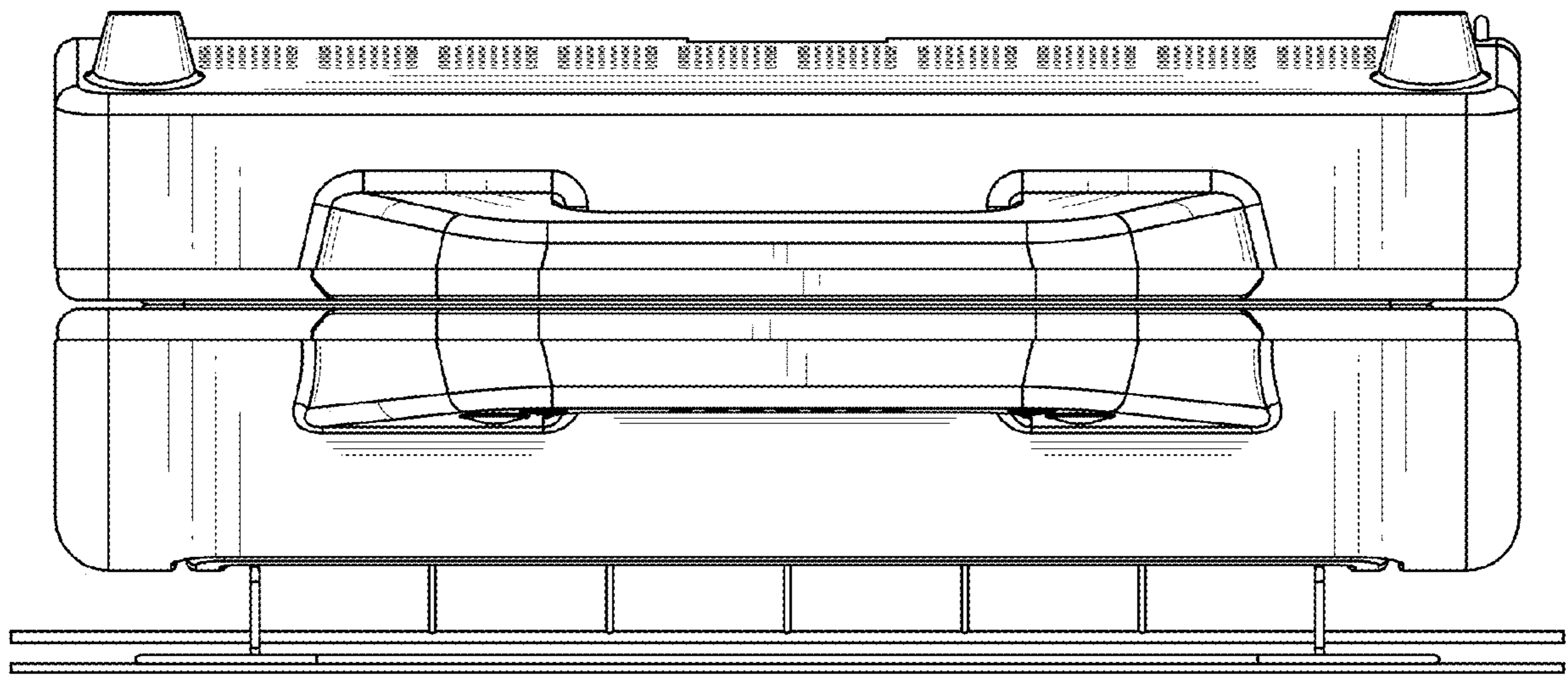


FIG. 5

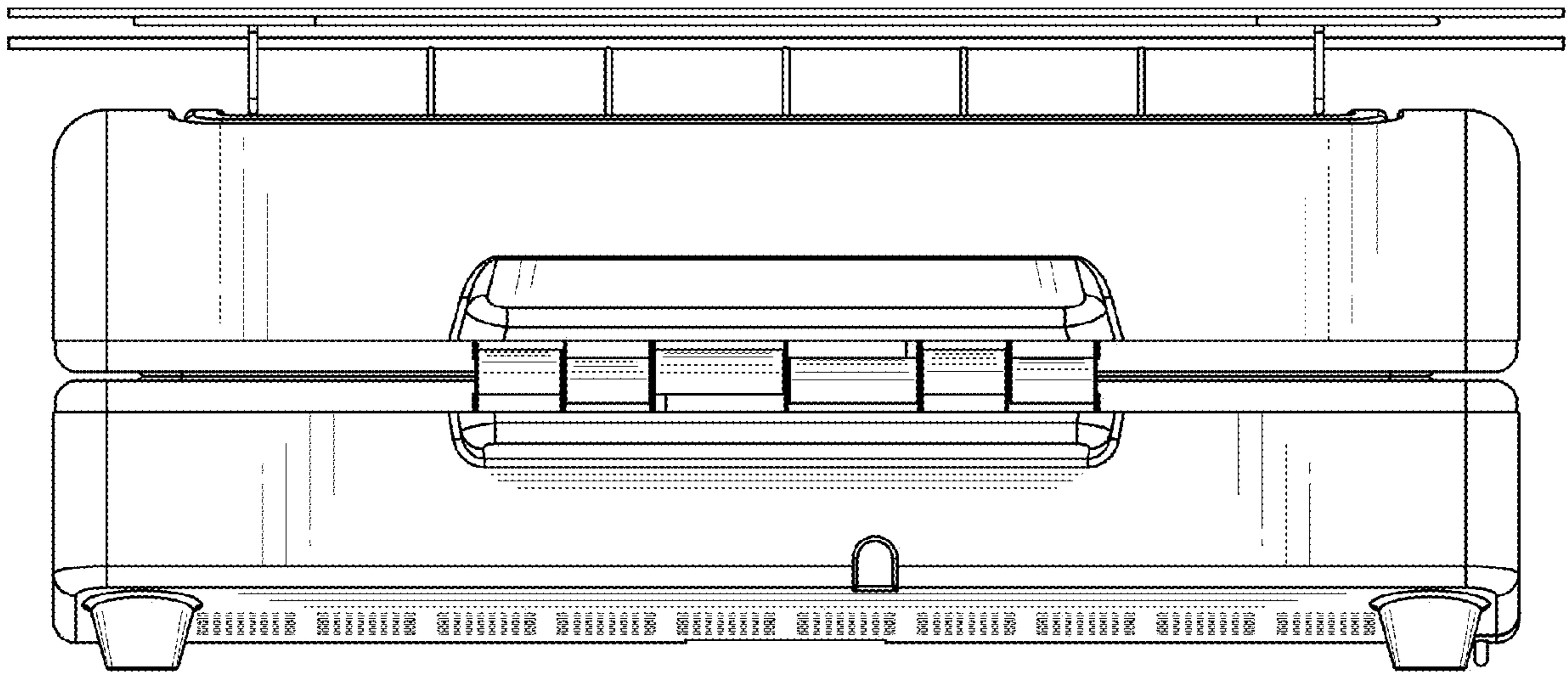


FIG. 6

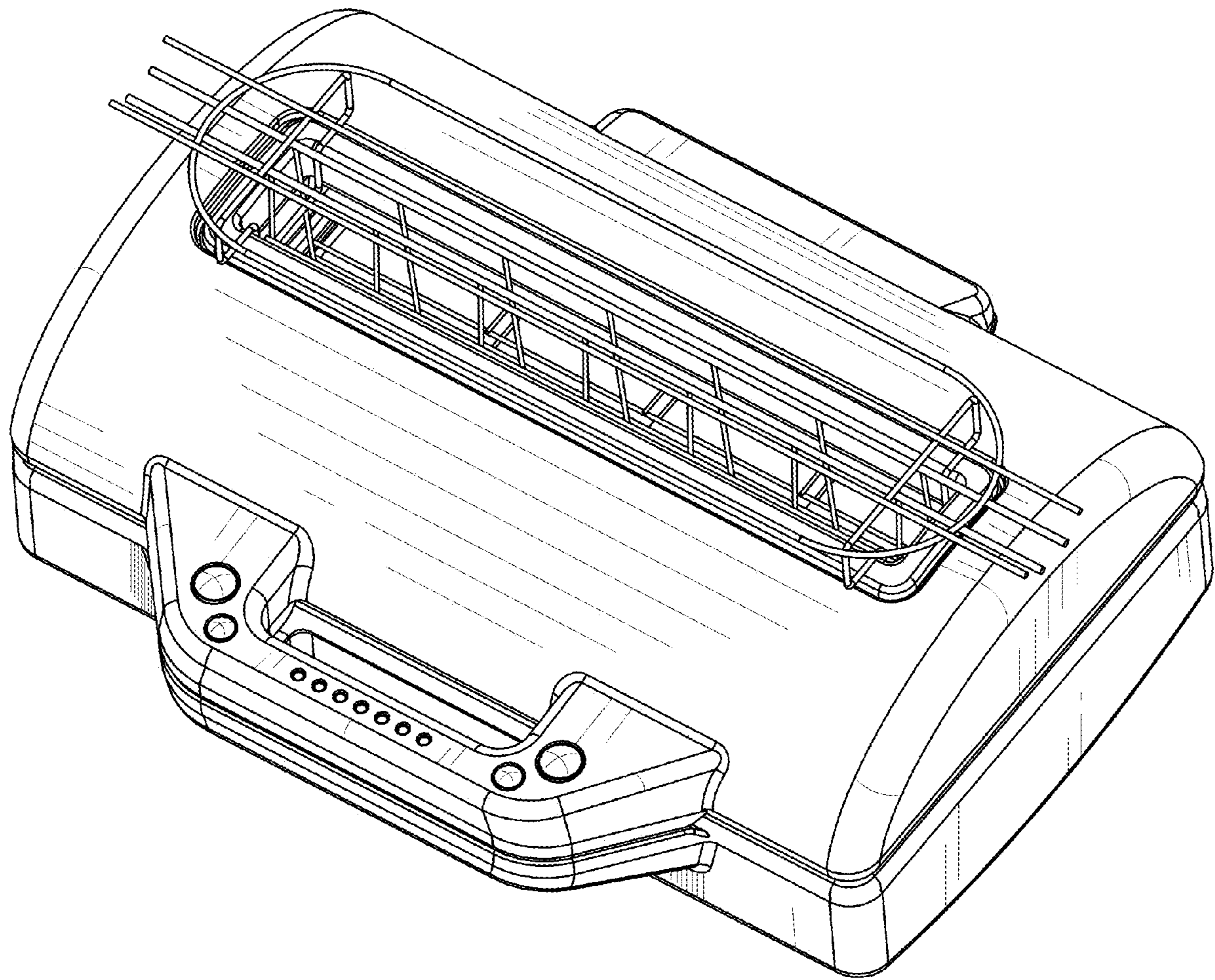


FIG. 7

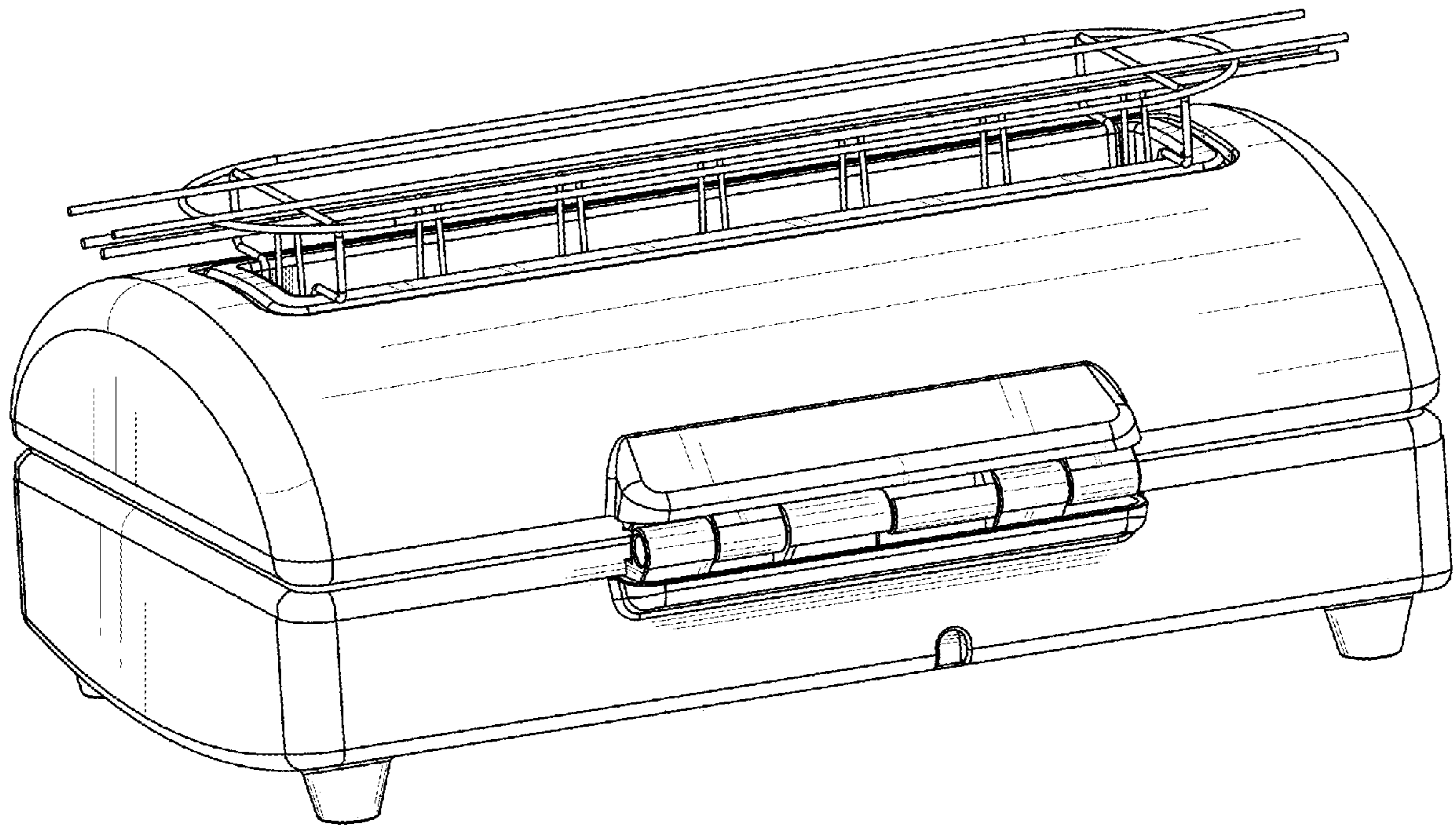


FIG.8

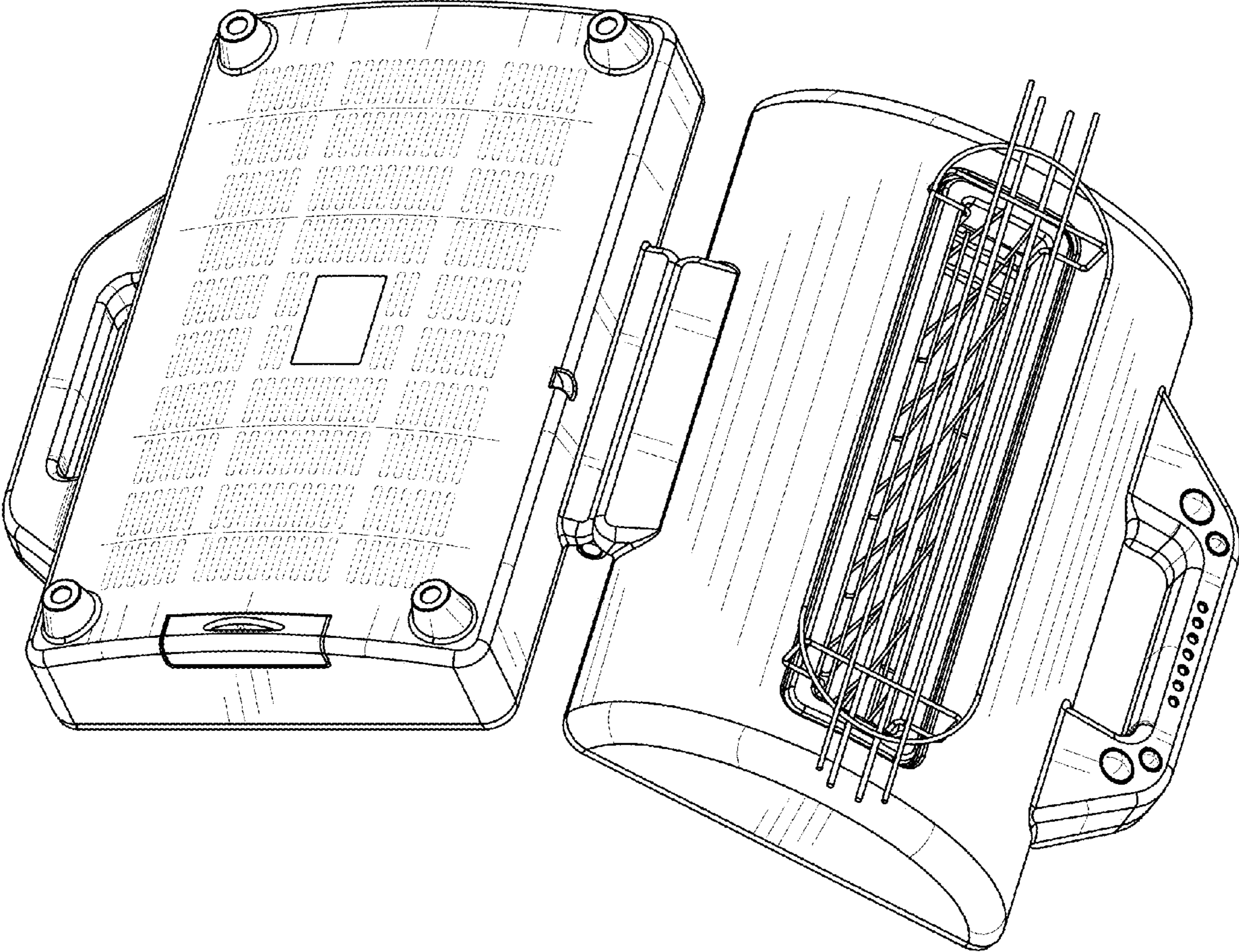


FIG.9