



US00D901963S

(12) **United States Design Patent** (10) **Patent No.:** **US D901,963 S**  
**Kestenbaum et al.** (45) **Date of Patent:** **\*\* Nov. 17, 2020**

(54) **COFFEE MAKER AND COMPONENTS THEREOF**

FOREIGN PATENT DOCUMENTS

(71) Applicant: **SharkNinja Operating LLC**,  
Needham, MA (US)

JP 817686 9/1991  
JP 1578234 5/2017

(Continued)

(72) Inventors: **Dan Kestenbaum**, Brookline, MA (US); **Benjamin Sharp**, Cumbria (GB)

OTHER PUBLICATIONS

(73) Assignee: **SHARKNINJA OPERATING LLC**,  
Needham, MA (US)

Amazon.com, Inc., "SharkNinja CF092 PowerDoF CM6626T 12-Cup Glass Carafe Programmable Coffee Maker, Small, Black/Stainless Steel," retrieved from Internet Jan. 24, 2020, (JPO Publicly Known Design No. HJ28047009), 8 pages.

(Continued)

(\*\*) Term: **15 Years**

(21) Appl. No.: **29/680,943**

*Primary Examiner* — Marianne N Pandozzi

(22) Filed: **Feb. 21, 2019**

(74) *Attorney, Agent, or Firm* — Cantor Colburn LLP

(51) **LOC (12) Cl.** ..... **07-01**

(52) **U.S. Cl.**

USPC ..... **D7/309**; D7/311

(57) **CLAIM**

(58) **Field of Classification Search**

USPC ..... D7/305–311, 313, 397, 399; D15/82;  
222/129.1, 146.6; 99/295

CPC ..... A47J 31/44; A47J 31/4403; A47J 31/46;  
A47J 31/4482; A47J 31/369; A47J

31/407; A47J 31/10; A47J 31/467; A47J  
31/0615; B67D 1/36; B67D 2210/0065;

B67D 1/0864; B67D 3/0061

See application file for complete search history.

The ornamental design for coffee maker and components thereof, as shown and described.

**DESCRIPTION**

(56) **References Cited**

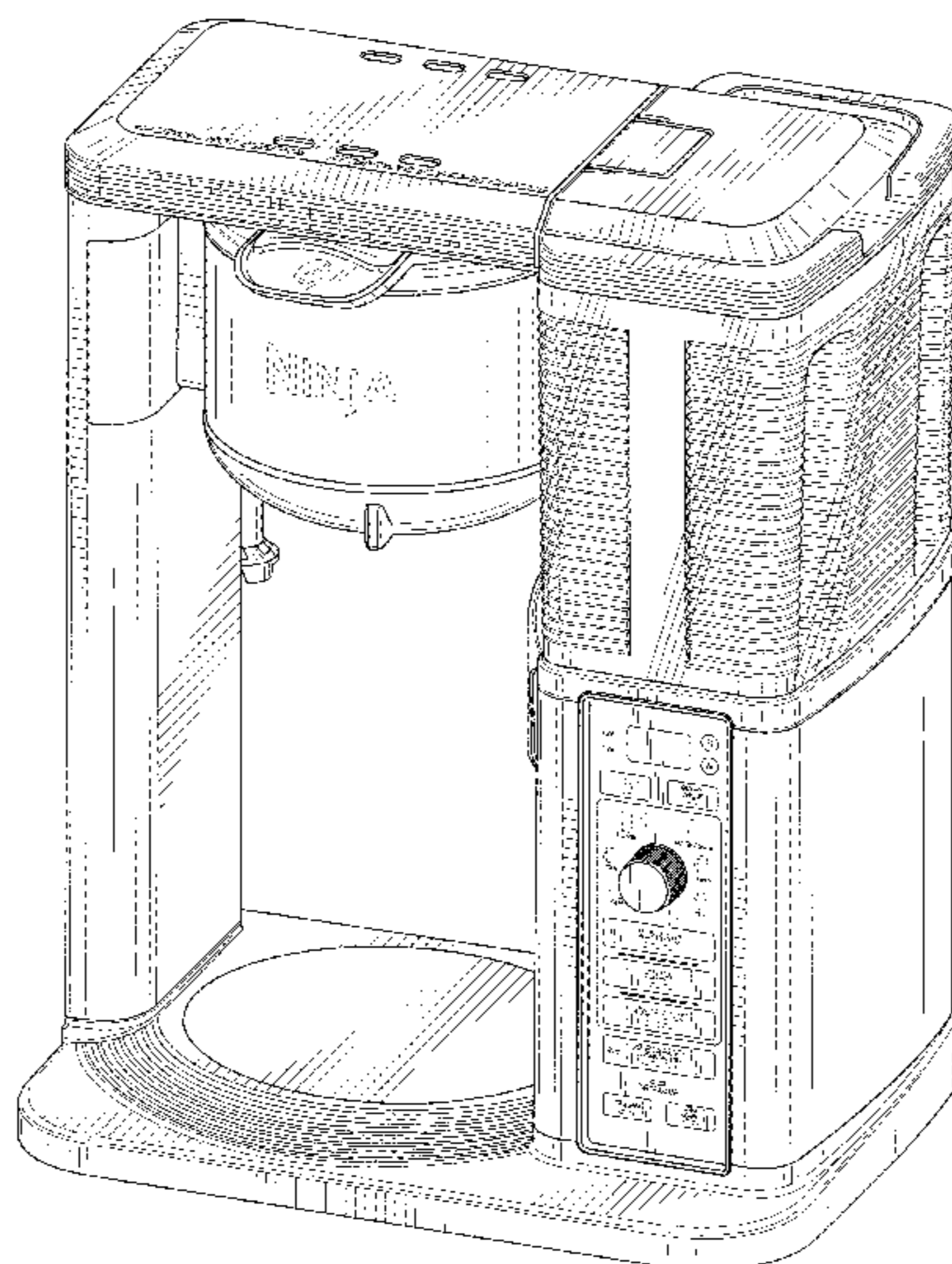
U.S. PATENT DOCUMENTS

D213,577 S 3/1969 Douglas  
D225,365 S 12/1972 Beckman  
D245,058 S 7/1977 Hauenstein  
4,058,338 A 11/1977 Brown  
D253,572 S 12/1979 Rinaldi  
4,503,757 A \* 3/1985 Daugherty ..... A47J 31/4403  
392/447  
4,590,975 A \* 5/1986 Credle, Jr. .... B67D 1/08  
141/1  
D296,408 S \* 6/1988 Gaunt ..... D7/308

FIG. 1 is a perspective view of a coffee maker and components thereof, showing our new design;  
FIG. 2 is a front view of the embodiment shown in FIG. 1;  
FIG. 3 is a rear view of the embodiment shown in FIG. 1;  
FIG. 4 is side view of the embodiment shown in FIG. 1;  
FIG. 5 is another side view of the embodiment shown in FIG. 1;  
FIG. 6 is a top view of the embodiment shown in FIG. 1;  
FIG. 7 is a bottom view of the embodiment shown in FIG. 1; and,  
FIG. 8 is another perspective view of the embodiment shown in FIG. 1.

The broken lines in the figures are for environmental purposes only and form no part of the claimed design.

**1 Claim, 8 Drawing Sheets**





(56)

References Cited

U.S. PATENT DOCUMENTS

D314,881 S 2/1991 Wondergem et al.  
D317,996 S 7/1991 Jack  
D318,973 S \* 8/1991 Hasslacher ..... D7/308  
D321,806 S \* 11/1991 Chaney ..... D7/308  
D324,319 S \* 3/1992 Faerber ..... D7/308  
D327,601 S 7/1992 Beeren et al.  
D337,915 S \* 8/1993 Kahlcke ..... D7/307  
D348,585 S 7/1994 Sham  
D379,049 S 5/1997 Amiel  
D381,237 S 7/1997 DeLonghi  
D381,437 S \* 7/1997 Browning ..... D25/113  
D409,875 S 5/1999 Alonge et al.  
5,931,082 A 8/1999 Kim et al.  
D452,106 S 12/2001 Seiffert  
D490,639 S 6/2004 Kling  
D558,507 S 1/2008 Picozza et al.  
D562,052 S \* 2/2008 De Pra' ..... D7/309  
D577,244 S \* 9/2008 Cahen ..... D7/305  
D581,717 S \* 12/2008 Parker ..... D7/309  
D584,912 S 1/2009 Green et al.  
D585,691 S \* 2/2009 Borin ..... D7/309  
D594,688 S 6/2009 Hammad et al.  
D598,693 S \* 8/2009 Kindler ..... D7/306  
D598,695 S \* 8/2009 Currie ..... D7/309  
D634,962 S 3/2011 Butler  
D634,963 S 3/2011 Romandy  
D648,973 S \* 11/2011 De' Longhi ..... D7/309  
8,210,095 B2 \* 7/2012 Brezovnik ..... A47J 31/369  
99/279  
D696,890 S \* 1/2014 Poniedzialek ..... D7/309  
D713,668 S \* 9/2014 Metaxatos ..... D7/309  
D727,084 S \* 4/2015 Dorr ..... D7/309  
D730,675 S 6/2015 Williams et al.  
D733,481 S \* 7/2015 Rousselin ..... D7/306  
D742,159 S \* 11/2015 Doria ..... D7/309  
D752,377 S 3/2016 Maitland et al.  
D753,948 S 4/2016 Kestenbaum  
D756,696 S \* 5/2016 Murphy ..... D7/306  
D765,454 S \* 9/2016 Romandy ..... D7/309  
D769,662 S \* 10/2016 Palermo ..... D7/306  
D770,831 S \* 11/2016 Affatato ..... D7/309  
D770,832 S \* 11/2016 Affatato ..... D7/309  
D771,992 S \* 11/2016 Yang ..... D7/306  
D778,098 S \* 2/2017 Horimoto ..... D7/306  
D782,242 S \* 3/2017 Lee ..... D7/306  
D787,251 S 5/2017 Kestenbaum  
D789,725 S 6/2017 Kestenbaum  
D792,731 S \* 7/2017 Palermo ..... D7/306  
D801,506 S 10/2017 Sevy  
D802,978 S 11/2017 Kestenbaum  
D803,611 S \* 11/2017 Hanneson ..... D7/306  
D814,222 S 4/2018 Bronwasser  
D815,904 S 4/2018 Lane  
D823,035 S \* 7/2018 Ricica ..... D7/309  
D823,036 S \* 7/2018 Kestenbaum ..... D7/309  
D823,628 S 7/2018 Steiner  
D833,792 S 11/2018 Garman  
D834,870 S \* 12/2018 Steiner ..... D7/309  
D853,770 S 7/2019 Koury et al.  
D854,363 S 7/2019 Behrmann  
D878,846 S \* 3/2020 Kestenbaum ..... D7/309  
D879,535 S \* 3/2020 Ricica ..... D7/309  
2004/0112224 A1 \* 6/2004 Drobeck ..... A47J 31/4403  
99/279  
2009/0255408 A1 10/2009 Lassota et al.  
2015/0190011 A1 \* 7/2015 Minard ..... B67D 1/0041  
426/231  
2019/0045968 A1 \* 2/2019 Hartmann ..... A47J 31/4485  
2019/0387920 A1 12/2019 Anthony et al.

FOREIGN PATENT DOCUMENTS

JP 1578238 5/2017  
WO 2013098777 A1 7/2013

WO 2014028844 A1 2/2014  
WO 2016164796 A1 10/2016  
WO 2019067595 A1 4/2019

OTHER PUBLICATIONS

Hammacher Schlemmer, "The Four Specific Brew Barista Machine," 89861, retrieved from Internet Jan. 24, 2020, (JPO Publicly Known Design No. HJ28041235), 3 pages.  
International Search Report for International Application No. PCT/US2019/038269; dated Nov. 25, 2019; International Filing Date: Jun. 20, 2019; 7 pages.  
Invitation to Pay Additional Fees for International Application No. PCT/US2019/038269; International Filing Date: Jun. 20, 2019; dated Sep. 27, 2019; 197 pages.  
Japanese Design Application No. 201826036 filed Nov. 30, 2018; Notice of Allowance dated Nov. 8, 2019; 6 pages.  
Japanese Design Application No. 201826037 filed Nov. 30, 2018; Notice of Allowance dated Nov. 8, 2019; 6 pages.  
Korean Design and Trademark Gazette, vol. 795, (Aug. 23, 1989), p. 40, 93797, (JPO Publicly Known Design No. HH02008182), 4 pages.  
Philips, "1/91Elektro-Hausgera'TE-Programm," HD5860, p. 23, dated Nov. 28, 1991, (JPO Publicly Known Design No. HD04000894), 5 pages.  
U.S. Appl. No. 29/649,476, filed May 30, 2018; Restriction Requirement dated Jan. 16, 2020; 8 pages.  
U.S. Appl. No. 29/649,476, filed May 30, 2018; Restriction Requirement dated Dec. 19, 2019; 7 pages.  
U.S. Appl. No. 29/649,477, filed May 30, 2018; Restriction Requirement dated Dec. 19, 2019; 7 pages.  
Written Opinion for International Application No. PCT/US2019/038269; dated Nov. 25, 2019; International Filing Date: Jun. 20, 2019; 11 pages.  
Amazon.com; "SharkNinja PowerDoF CM6626T 12-Cup Glass Carafe Programmable Coffee Maker, Small, Black/Stainless Steel"; Nov. 11, 2016; pp. 1-11; [https://www.amazon.com/gp/product/b01ka7vwpy/ref=zg\\_bsnr\\_289745\\_1?ie=utf8&pvc=1&refrid=nry9kbp5b5nrh7e6dp8n](https://www.amazon.com/gp/product/b01ka7vwpy/ref=zg_bsnr_289745_1?ie=utf8&pvc=1&refrid=nry9kbp5b5nrh7e6dp8n).  
Application for Registration of an Industrial Design Examiner's Report; Canadian Application No. 171623; dated Nov. 14, 2017; 2 Pages.  
Application for Registration of an Industrial Design Examiner's Report; Canadian Application No. 171623; dated Feb. 17, 2017; 1 Page.  
Application for Registration of an Industrial Design Examiner's Report; Canadian Application No. 171623; dated Jul. 25, 2017; 1 Page.  
Decision to Dismiss the Amendment; Korean Application No. 30-2016-0053885; dated Jul. 6, 2017; 5 Pages.  
Japanese Patent Application No. 2019018140 filed Aug. 16, 2019; Office Action dated May 11, 2020; 6 Pages.  
Non-Final Office Action; U.S. Appl. No. 29/564,778, filed May 16, 2016; Carafe; dated Mar. 10, 2017; 9 Pages.  
Non-Final Office Action; U.S. Appl. No. 29/622,046, filed Oct. 13, 2017, Carafe; dated Jun. 5, 2018; 20 Pages  
Notice of Allowance; Japanese Design Application No. 2016-024849; dated Mar. 31, 2017; 2 Pages.  
Notice of Allowance; Japanese Design Application No. 2016-024850; dated Mar. 31, 2017; 2 Pages.  
Notice of Allowance; Japanese Design Application No. 2016-024851; dated Mar. 31, 2017; 2 Pages.  
Notice of Allowance; Japanese Design Application No. 2016-024852; dated Mar. 31, 2017; 2 Pages.  
Notice of Allowance; Japanese Design Application No. 2016-024853; dated Mar. 31, 2017; 2 Pages.  
Notice of Allowance; Japanese Design Application No. 2016-024854; dated Mar. 31, 2017; 2 Pages.  
Notice of Allowance; Japanese Design Application No. 2016-024855; dated Mar. 31, 2017; 2 Pages.  
Notice of Allowance; U.S. Appl. No. 29/564,776, filed May 16, 2016; Coffee Maker; dated Mar. 21, 2018; 11 Pages.

(56)

**References Cited**

OTHER PUBLICATIONS

Notice of Allowance; U.S. Appl. No. 29/564,778, filed May 16, 2016; Carafe; dated Jul. 13, 2017; 10 Pages.

Notice of Allowance; U.S. Appl. No. 29/564,780, filed May 16, 2016; Coffee Maker; dated Mar. 21, 2018; 11 Pages.

Notice of Completion of Formalities for Patent Register and Notice of Grant of Design Patent Right; Chinese Application No. 2016305567649; dated Jan. 19, 2017; 5 Pages.

Notice of Completion of Formalities for Patent Register and Notice of Grant of Design Patent Right; Chinese Application No. 2016305570459; dated Jan. 19, 2017; 5 Pages.

Notice of Completion of Formalities for Patent Register and Notice of Grant of Design Patent Right; Chinese Application No. 201630557068X; dated Jan. 19, 2017; 5 Pages.

Notice of Completion of Formalities for Patent Register and Notice of Grant of Design Patent Right; Chinese Application No. 2016305573207; dated Jan. 17, 2017; 5 Pages.

Notice of References; Japanese Design Application No. 2016-024849; dated Mar. 31, 2017; 2 Pages.

Notice of References; Japanese Design Application No. 2016-024850; dated Mar. 31, 2017; 2 Pages.

Preliminary Rejection; Korean Application No. 30-2016-0053875; dated Jul. 4, 2017; 3 Pages.

Preliminary Rejection; Korean Application No. 30-2016-0053876; dated Oct. 14, 2017; 7 Pages.

Preliminary Rejection; Korean Application No. 30-2016-0053877; dated Jul. 4, 2017; 4 Pages.

Preliminary Rejection; Korean Application No. 30-2016-0053878; dated Jul. 4, 2017; 2 Pages.

Preliminary Rejection; Korean Application No. 30-2016-0053879; dated Jul. 4, 2017; 5 Pages.

Preliminary Rejection; Korean Application No. 30-2016-0053882; dated Jul. 4, 2017; 5 Pages.

Preliminary Rejection; Korean Application No. 30-2016-0053885; dated Jul. 4, 2017; 5 Pages.

Requirement for Restriction/Election; U.S. Appl. No. 29/564,776, filed May 16, 2016; Coffee Maker and Components Thereof; dated Dec. 7, 2017; 18 Pages.

Requirement for Restriction/Election; U.S. Appl. No. 29/564,780, filed May 16, 2016; Coffee Maker and Components Thereof; dated Dec. 7, 2017; 18 Pages.

U.S. Appl. No. 29/622,046, filed Oct. 13, 2017; Notice of Allowance dated Oct. 25, 2018; 6 pages.

U.S. Appl. No. 29/653,369, filed Jun. 14, 2018; Restriction Requirement dated Jul. 18, 2019; 19 pages.

U.S. Appl. No. 29/653,379, filed Jun. 14, 2018; Restriction Requirement dated Jul. 18, 2019; 19 pages.

U.S. Appl. No. 29/724,419, filed Feb. 14, 2020; Restriction Requirement dated Apr. 27, 2020; 9 pages.

\* cited by examiner



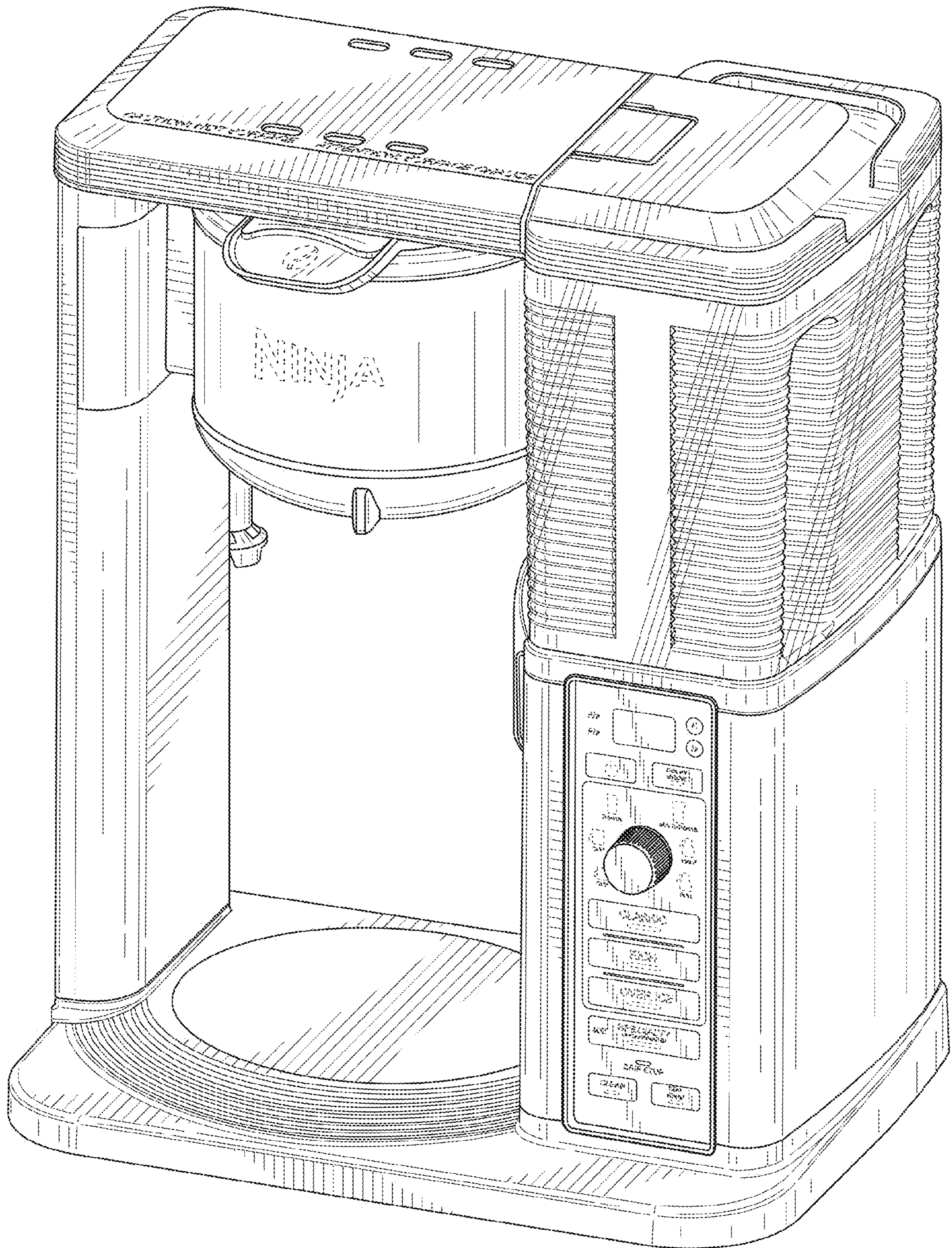


FIG. 1



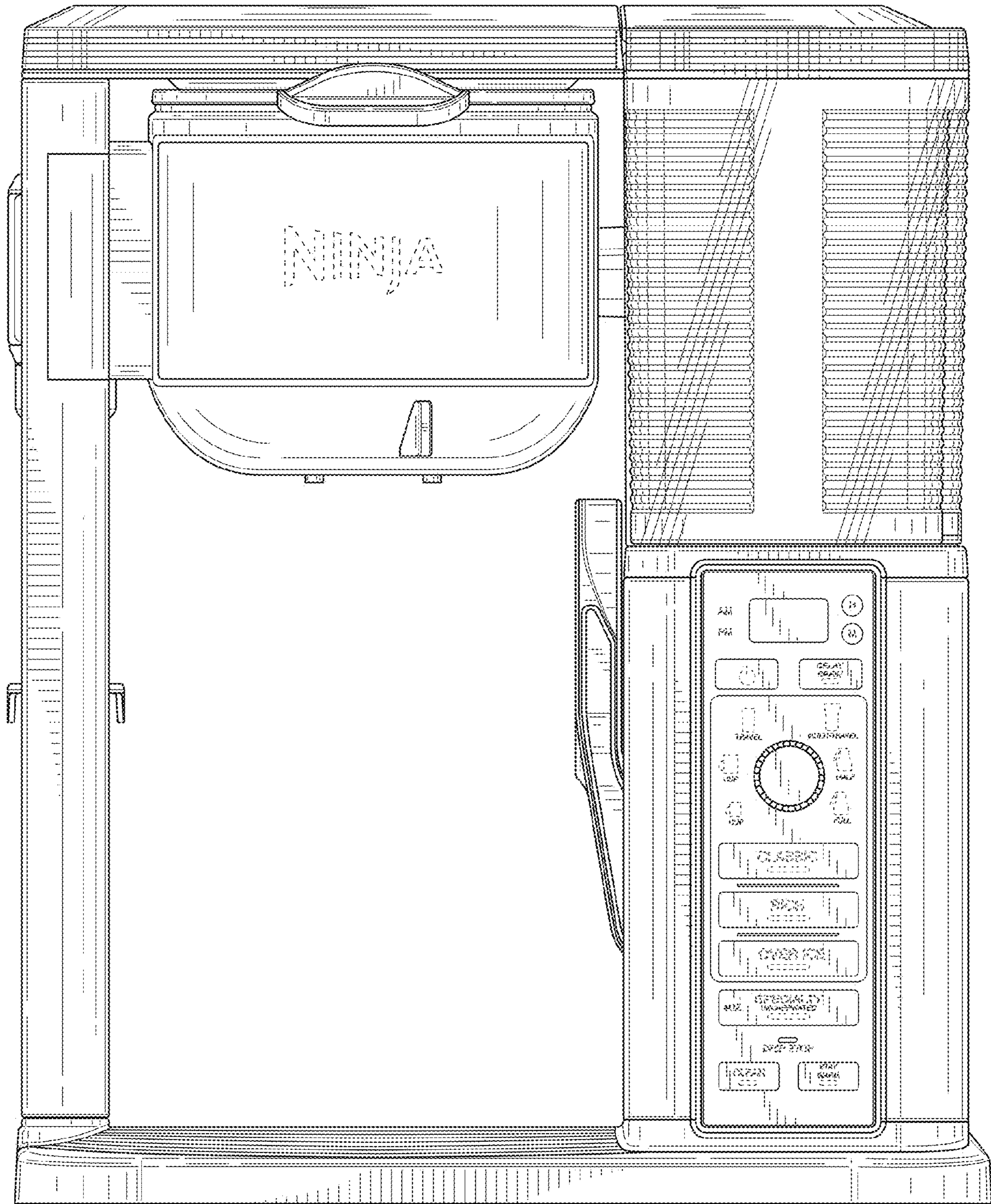


FIG. 2

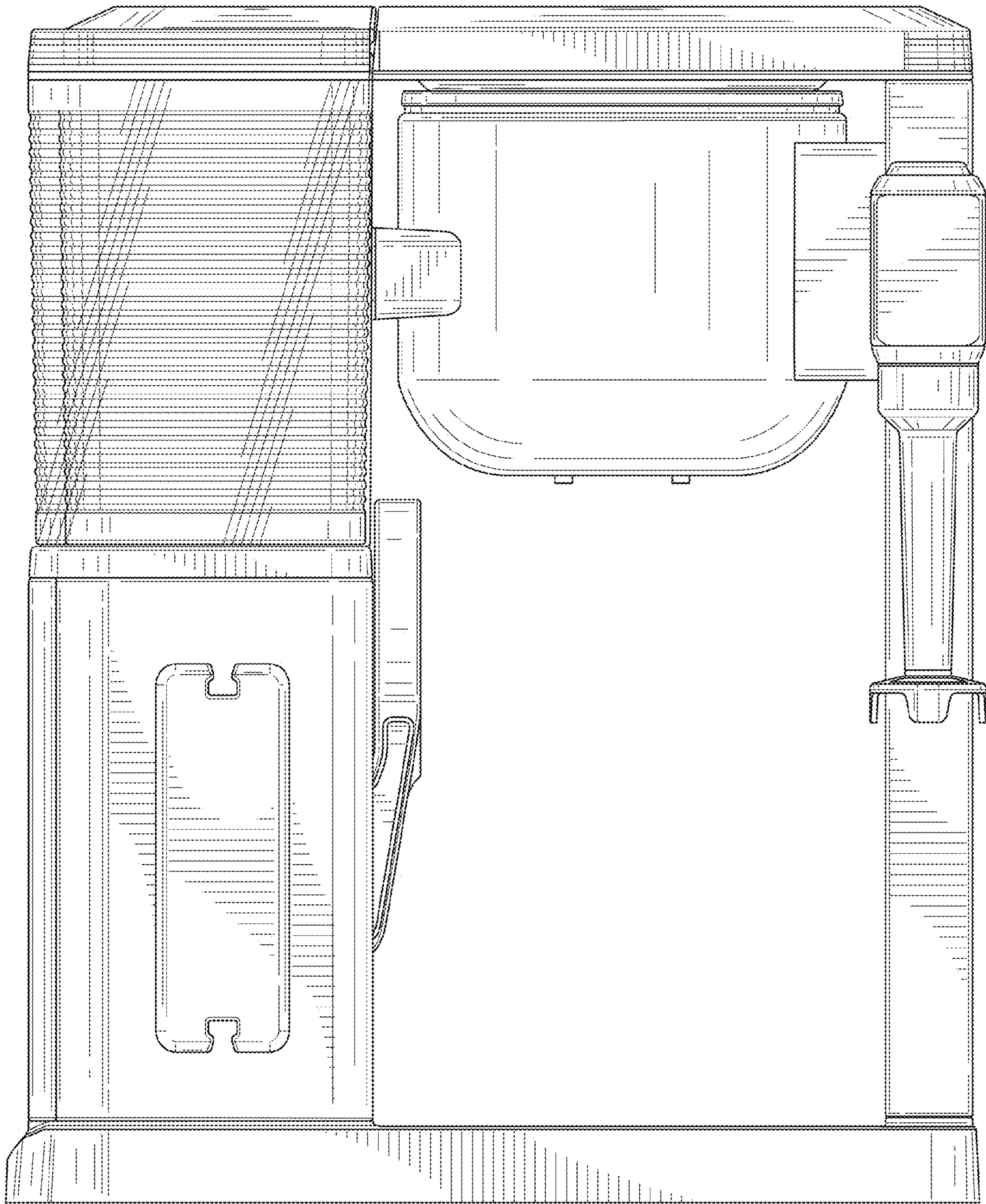


FIG. 3



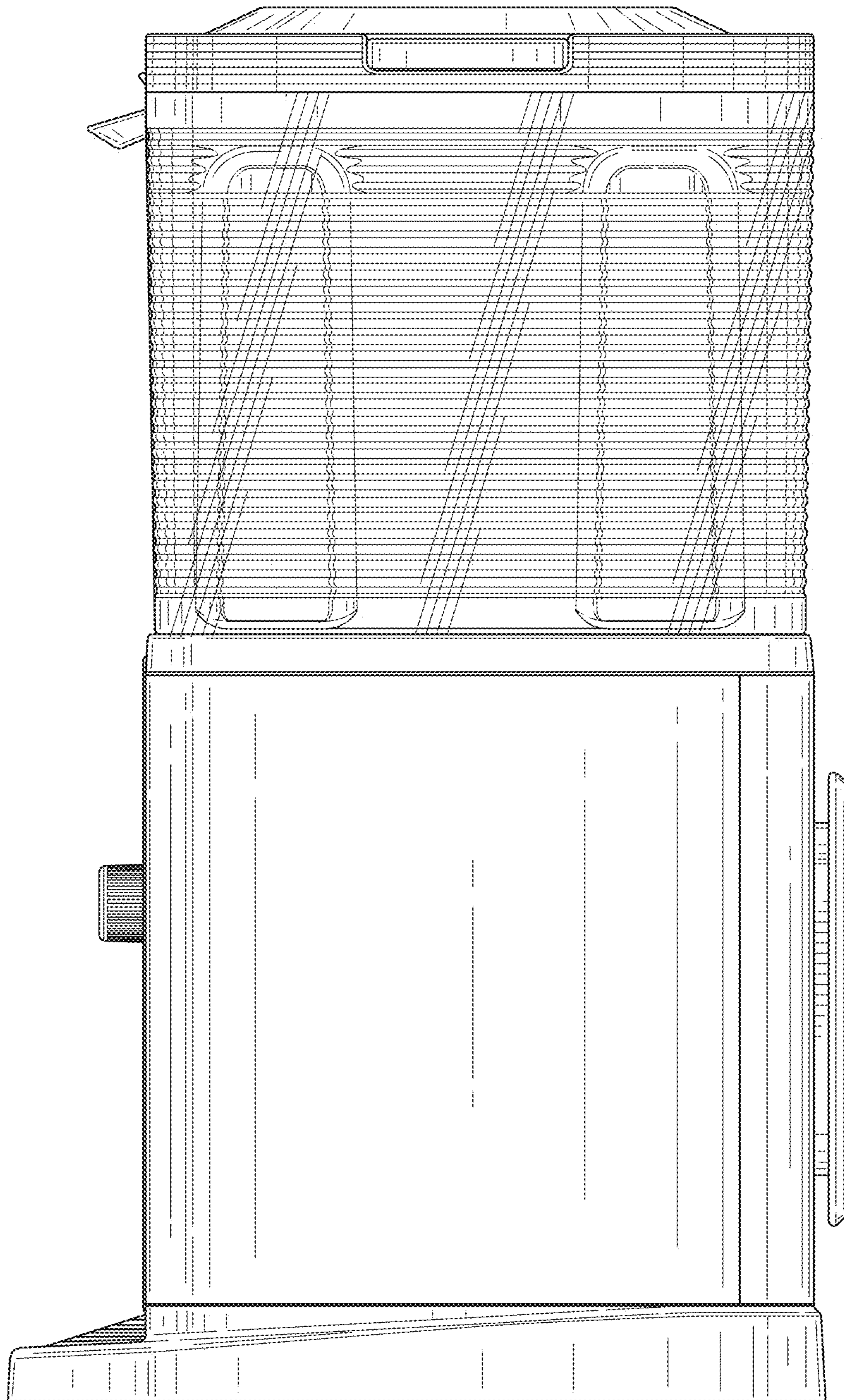


FIG. 4

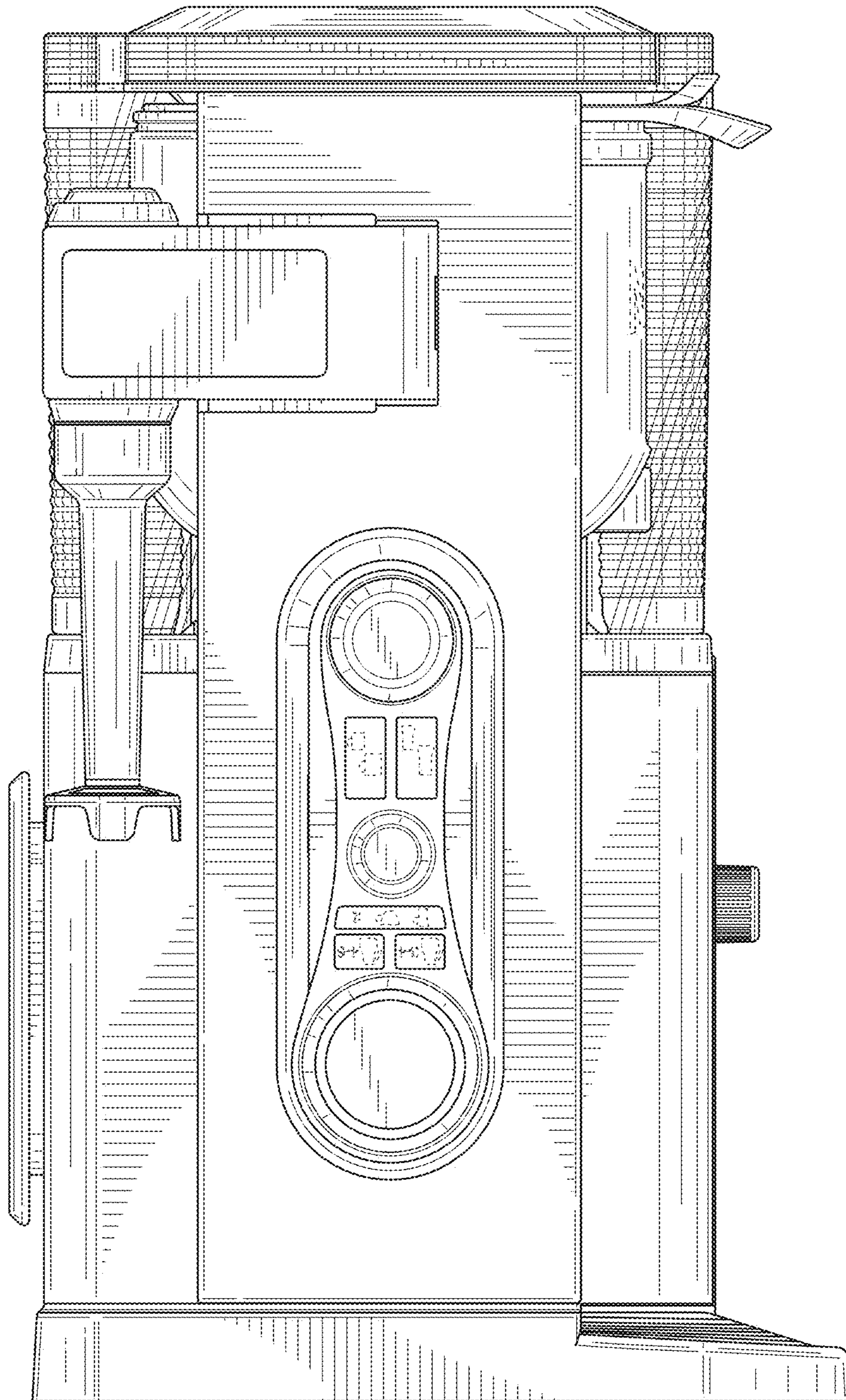


FIG. 5



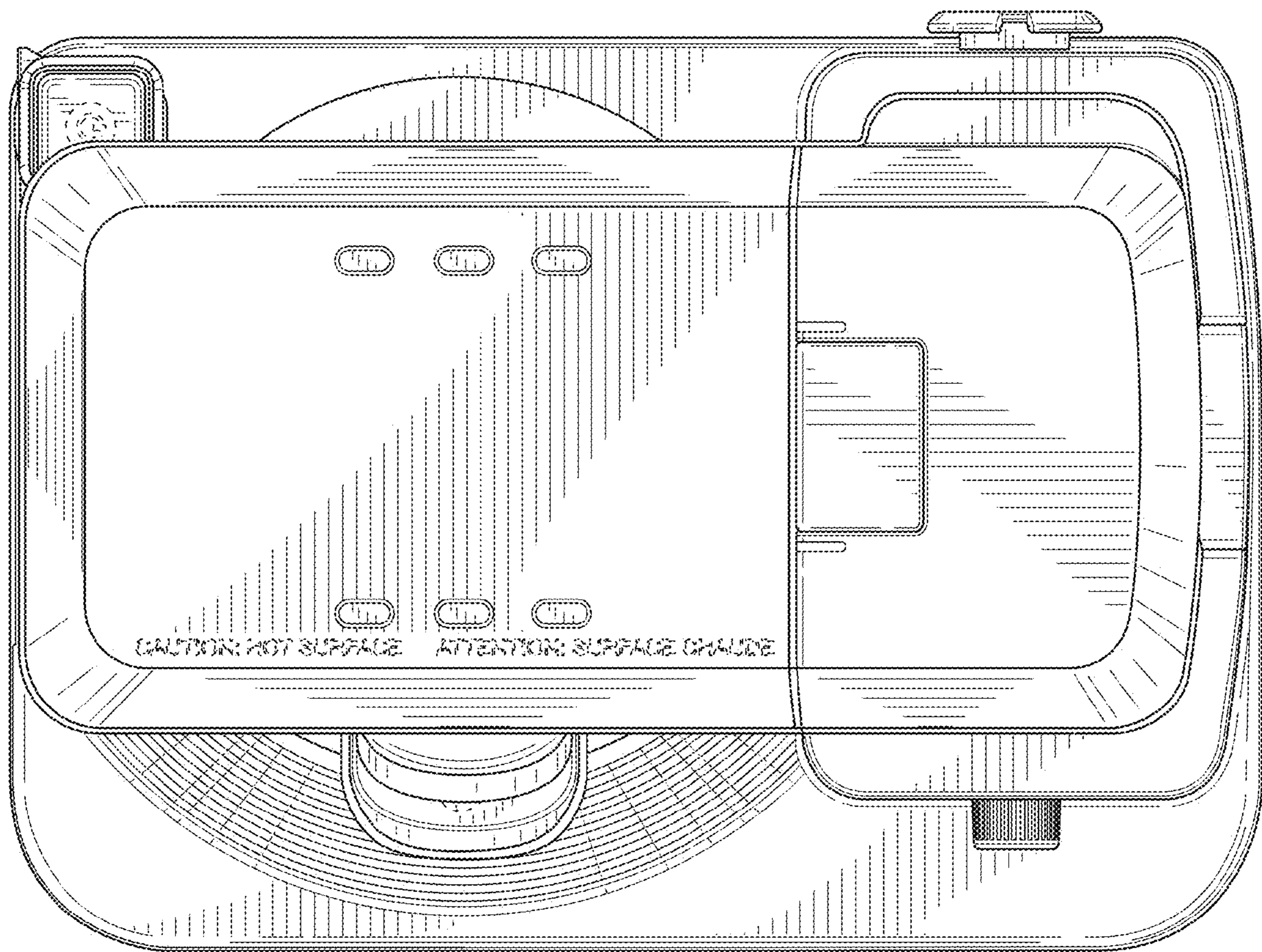


FIG. 6

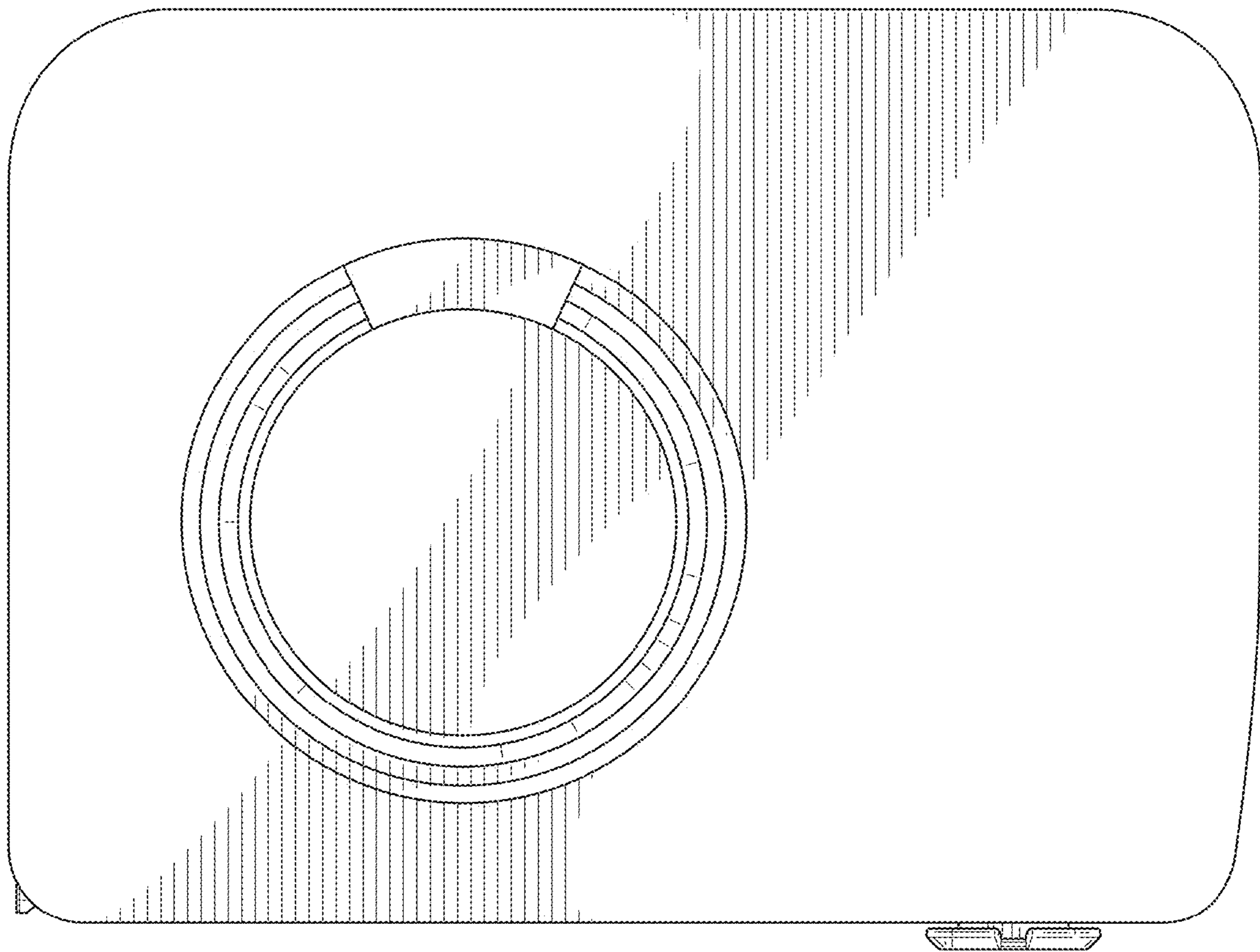


FIG. 7



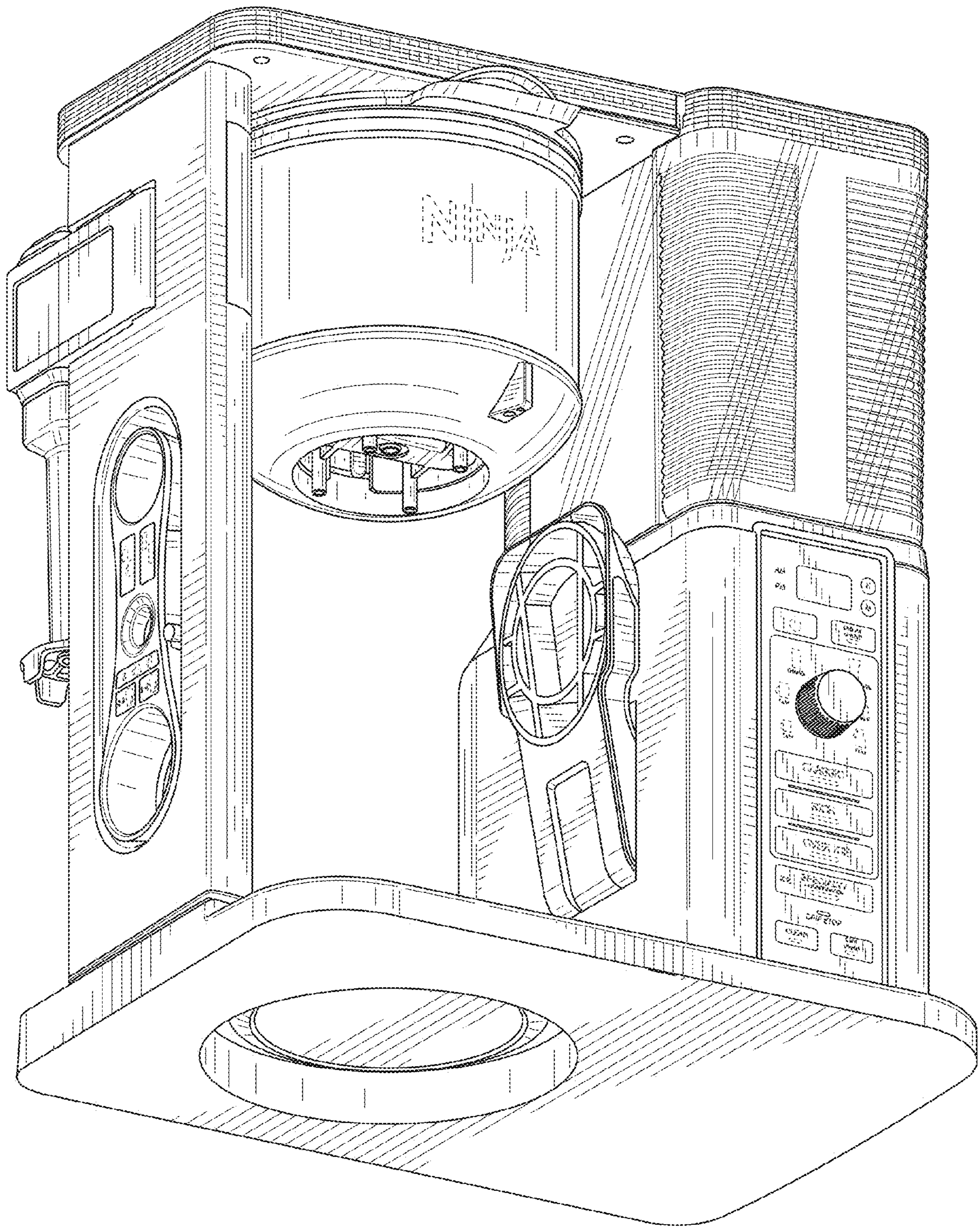


FIG. 8