



US00D901960S

(12) **United States Design Patent** (10) **Patent No.:** **US D901,960 S**
Serrahima et al. (45) **Date of Patent:** **** Nov. 17, 2020**

- (54) **STRAW**
- (71) Applicant: **Can't Live Without It, LLC**, New York, NY (US)
- (72) Inventors: **Mario Quintana Serrahima**, Brooklyn, NY (US); **Clay Allen Burns**, New York, NY (US); **James Parmele**, Brooklyn, NY (US)
- (73) Assignee: **CAN'T LIVE WITHOUT IT, LLC**, New York, NY (US)
- (**) Term: **15 Years**
- (21) Appl. No.: **29/662,974**
- (22) Filed: **Sep. 11, 2018**
- (51) **LOC (12) Cl.** **07-06**
- (52) **U.S. Cl.**
USPC **D7/300.2; D7/300**
- (58) **Field of Classification Search**
USPC D7/300, 300.2, 301, 635; D23/205, 209
CPC A47G 21/181; A47G 21/18; A01M 3/022
See application file for complete search history.

(56) **References Cited**

U.S. PATENT DOCUMENTS

2,815,981	A *	12/1957	Nonnamaker	A47G 21/183 239/33
3,025,004	A	3/1962	Levi		
3,409,224	A	11/1968	Harp et al.		
D271,836	S *	12/1983	Border	D7/300.2
D575,570	S *	8/2008	Antonelli	D7/300.2
8,579,148	B2	11/2013	Slansky		
D887,762	S *	6/2020	Chen	D7/300.2
2012/0138622	A1 *	6/2012	Slansky	B65D 43/0218 220/780
2013/0126527	A1	5/2013	Chiu et al.		

2016/0157648	A1 *	6/2016	Derasmo	A47G 21/181 239/33
2016/0324349	A1 *	11/2016	Casas	A47G 21/18
2019/0059624	A1 *	2/2019	Kazmierczak	A47G 21/186
2019/0343312	A1 *	11/2019	Rhymer	A47G 21/18

(Continued)

OTHER PUBLICATIONS

Swell website, Stainless Steel Straw Set, Earliest commnet date Jul. 27, 2019, [site visited Jul. 22, 2020], Available on the Internet URL <https://www.swell.com/products/collections/ready-set-summer/stainless-steel-straw-set/> (Year: 2019).*

(Continued)

Primary Examiner — Karen S Acker
Assistant Examiner — Steven B Reinholdt, Jr.
(74) *Attorney, Agent, or Firm* — Kilpatrick Townsend & Stockton LLP

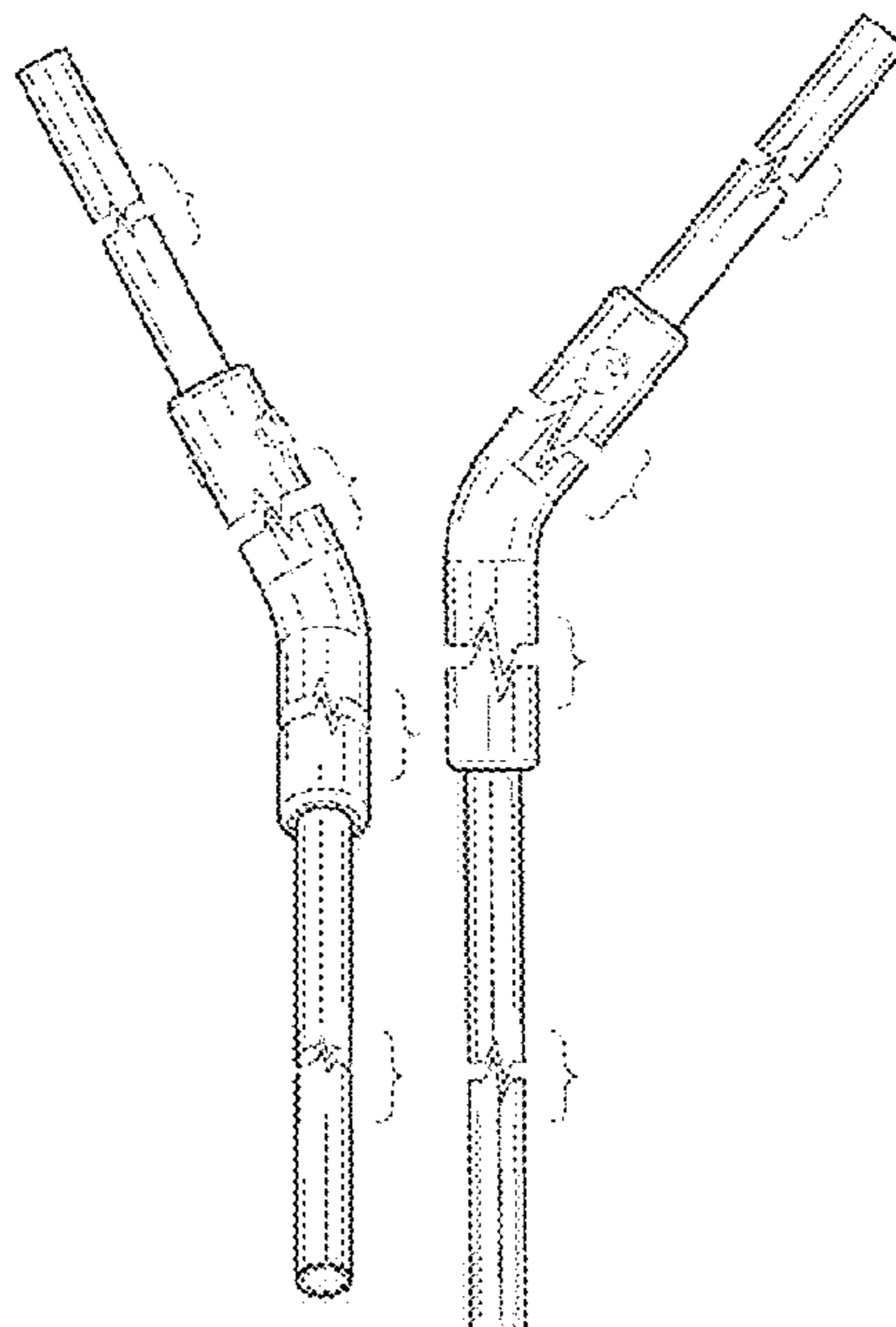
(57) **CLAIM**

The ornamental design for a straw, as shown and described.

DESCRIPTION

FIG. 1 is a top perspective view of a straw.
FIG. 2 is a bottom perspective view of the straw of FIG. 1.
FIG. 3 is a rear elevation view of the straw of FIG. 1.
FIG. 4 is a left side elevation view of the straw of FIG. 1.
FIG. 5 is front elevation view of the straw of FIG. 1.
FIG. 6 is a right side elevation view of the straw of FIG. 1.
FIG. 7 is a top plan view of the straw of FIG. 1; and,
FIG. 8 is a bottom plan view of the straw of FIG. 1.
The evenly spaced broken lines and the areas within them in the drawings illustrate portions of the straw that form no part of the claimed design. The dash-dot-dash-dot broken lines in the drawings represent symbolic breaks along the straw length. The break lines and the areas within them form no part of the claimed design.

1 Claim, 3 Drawing Sheets



(56)

References Cited

U.S. PATENT DOCUMENTS

2020/0029713 A1* 1/2020 Wang A47G 21/181
2020/0077823 A1* 3/2020 Burns A47G 21/18
2020/0107661 A1* 4/2020 Lin A47G 21/18

OTHER PUBLICATIONS

CA Application No. 186,441, "Office Action", dated Mar. 2, 2020,
1 page.

* cited by examiner

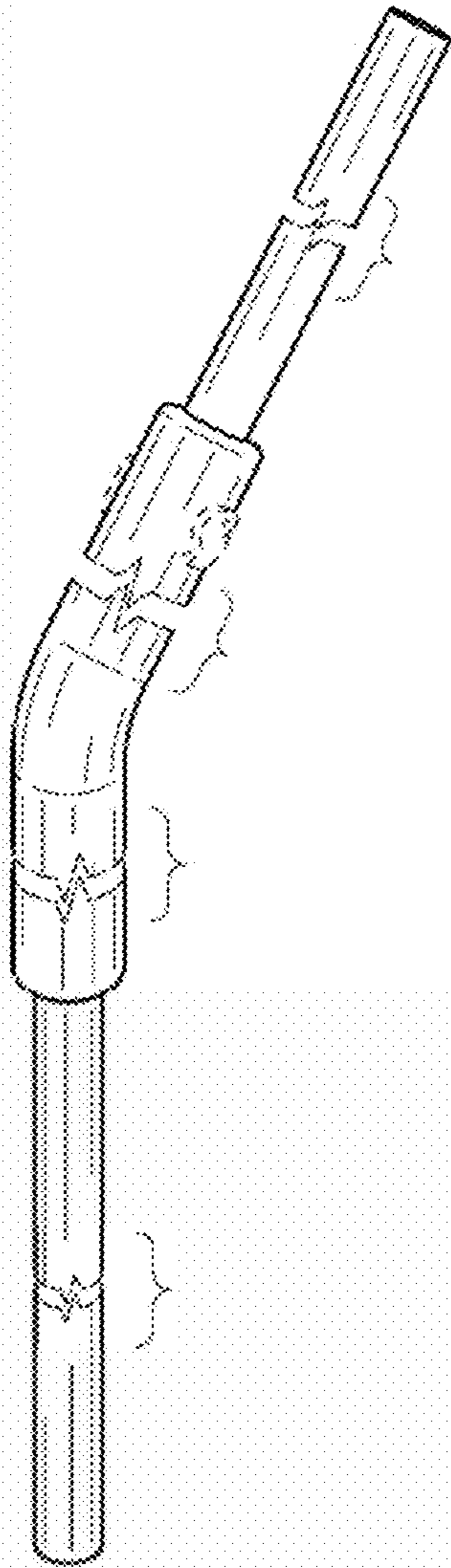


FIG. 1

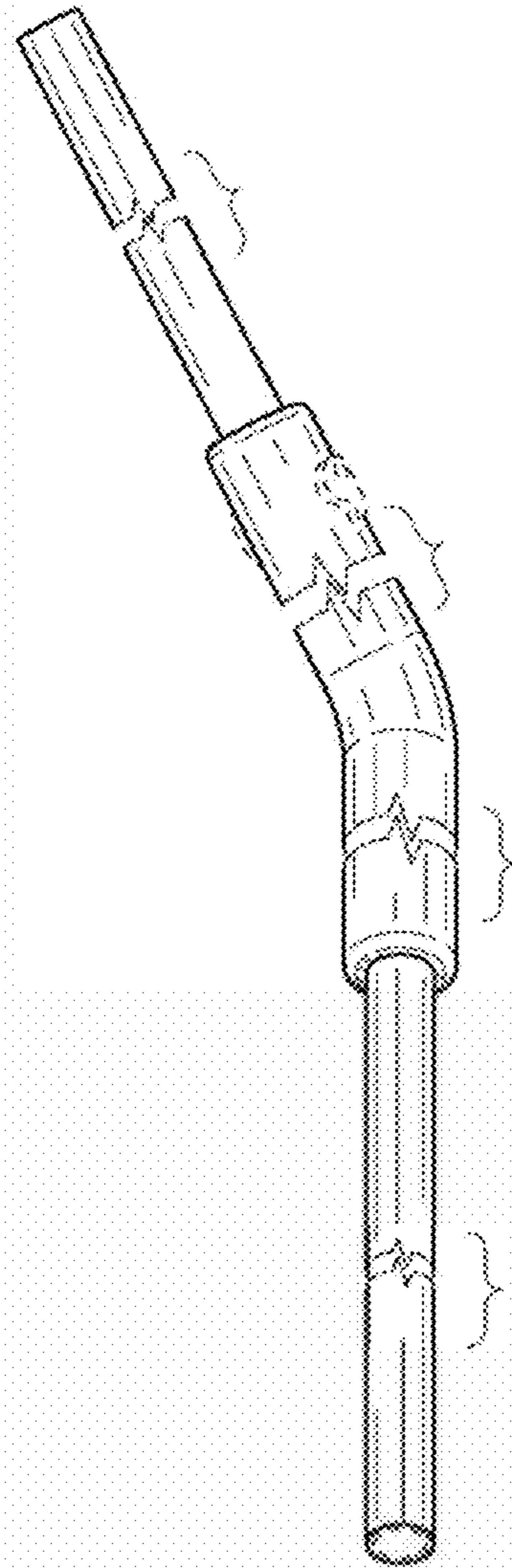


FIG. 2

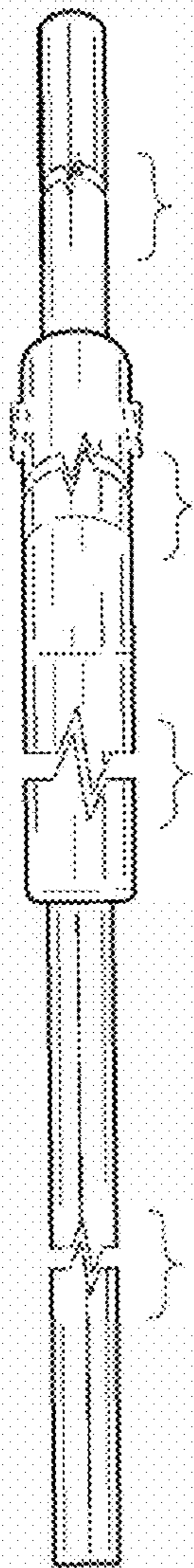


FIG. 3

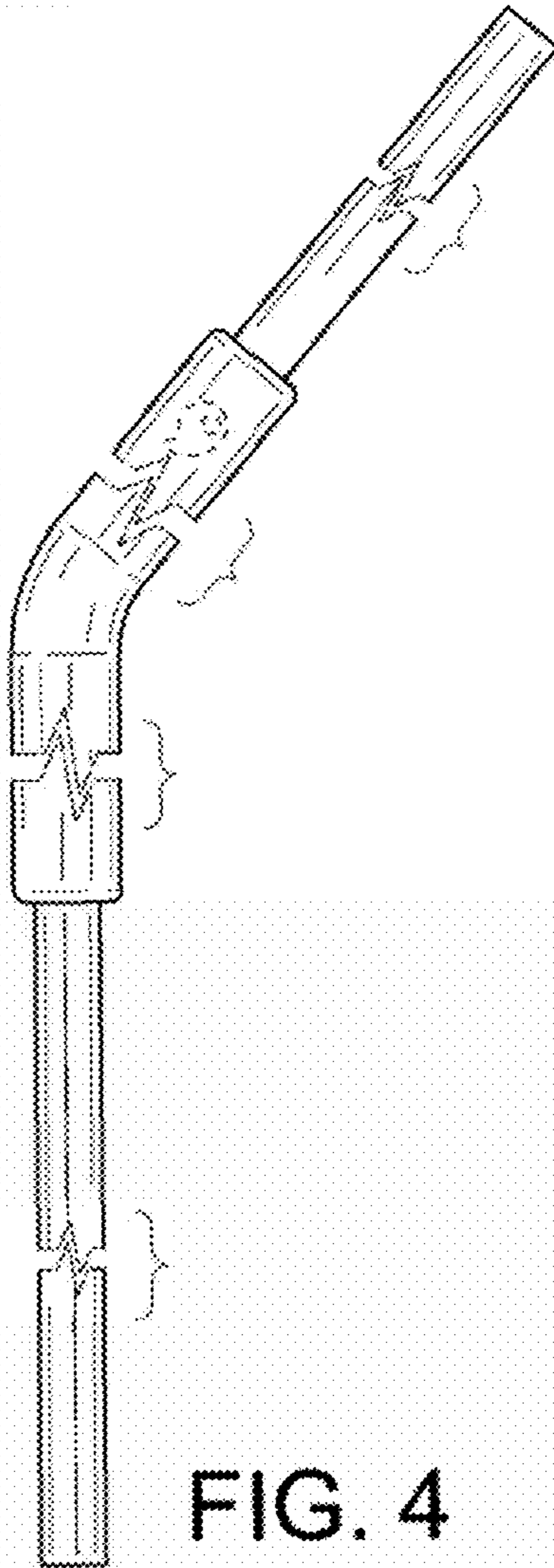


FIG. 4

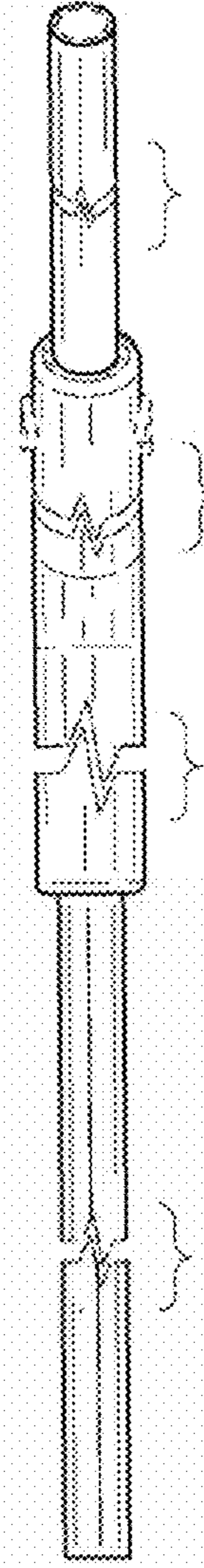


FIG. 5

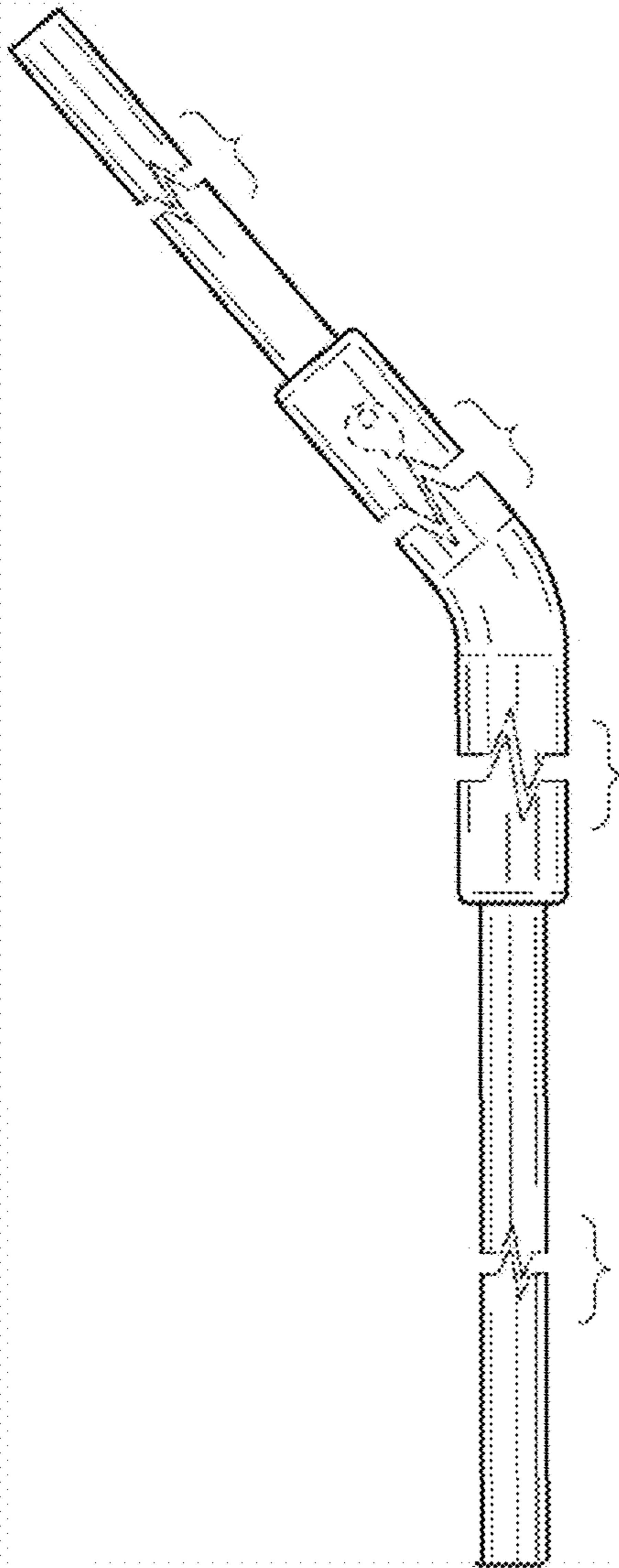


FIG. 6

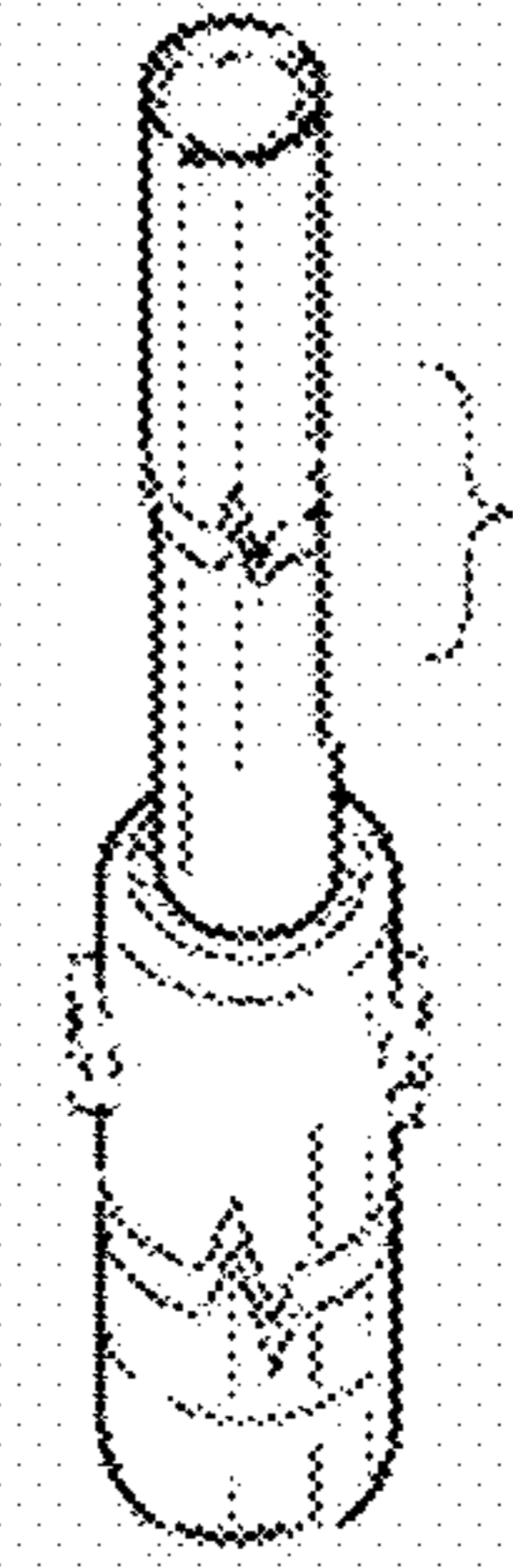


FIG. 7

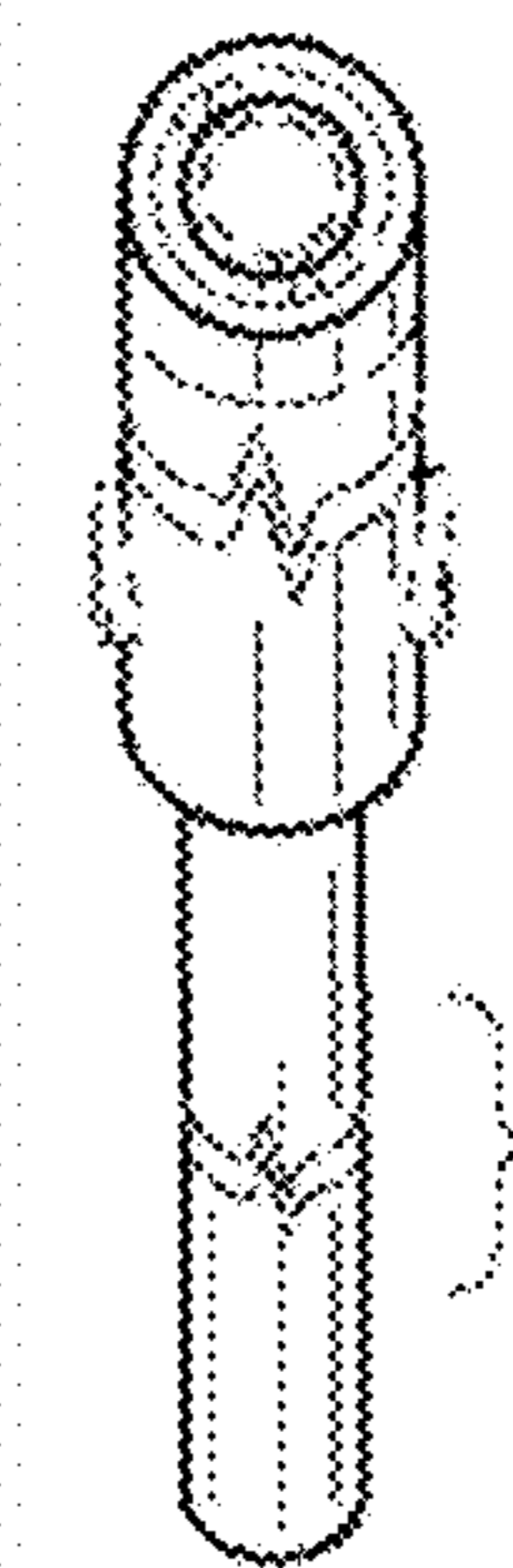


FIG. 8