



US00D901959S

(12) **United States Design Patent**
Chang

(10) **Patent No.:** **US D901,959 S**

(45) **Date of Patent:** **** Nov. 17, 2020**

(54) **DESK**

(71) Applicant: **EP Family Corp.**, Walnut, CA (US)

(72) Inventor: **Jeff Yongguang Chang**, Walnut, CA (US)

(**) Term: **15 Years**

(21) Appl. No.: **29/688,156**

(22) Filed: **Apr. 18, 2019**

(51) **LOC (12) Cl.** **06-06**

(52) **U.S. Cl.**
USPC **D6/709; D6/655**

(58) **Field of Classification Search**
USPC D6/640, 641, 642, 643, 643.1, 644, 645, D6/648, 648.1, 648.3, 648.4, 649, 650, D6/651, 652, 654, 654.1, 655, 655.1, D6/655.11, 655.12, 655.13, 655.14, D6/655.15, 655.16, 656, 656.1, 656.11, D6/656.16, 656.17, 656.18, 656.19, 668, D6/685, 688.11, 688.21, 688.27, 690, D6/695, 698, 691, 691.6, 696.1, 700, 707, D6/707.19, 707.24, 707.26, 708, 708.2, D6/708.21, 708.23, 709, 709.22
CPC A47B 9/00; A47B 9/04; A47B 9/06; A47B 3/08; A47B 21/00; A47B 21/02; A47B 21/06; A47B 21/007; A47B 21/0314; A47B 2009/185; A47B 2200/0013; A47B 2200/0026; A47B 2200/0085; A47B 2200/0087

See application file for complete search history.

6,701,853 B1 * 3/2004 Hwang A47B 3/02 108/118

8,544,391 B2 * 10/2013 Knox B60N 3/063 108/12

8,931,750 B2 * 1/2015 Kohl B60N 2/502 248/588

9,326,598 B1 * 5/2016 West A47B 3/02

10,244,861 B1 * 4/2019 Poniowski A47B 9/16

10,568,416 B1 * 2/2020 Poniowski A47B 21/0314

10,575,630 B1 * 3/2020 Poniowski A47B 21/04

2004/0040480 A1 * 3/2004 Hwang A47B 3/02 108/145

2017/0174486 A1 * 6/2017 Kochie B66F 7/065

2018/0055214 A1 * 3/2018 Kim A47B 9/10

2019/0335898 A1 * 11/2019 Laudadio A47B 21/0314

* cited by examiner

Primary Examiner — Mary Ann Calabrese
Assistant Examiner — Catherine Ho
 (74) *Attorney, Agent, or Firm* — Tommy S F Wang;
 Wang IP Law Group, P.C.

(57) **CLAIM**

The ornamental design for a desk, as shown and described.

DESCRIPTION

FIG. 1 is a perspective view of a desk showing my new design;
 FIG. 2 is a front view thereof;
 FIG. 3 is a rear view thereof;
 FIG. 4 is a left side view thereof;
 FIG. 5 is a right side view thereof;
 FIG. 6 is a top view thereof;
 FIG. 7 is a bottom view thereof;
 FIG. 8 is a perspective view of the desk in a folded configuration;
 FIG. 9 is a front view thereof; and,
 FIG. 10 is a bottom view thereof.
 The broken lines in FIGS. 1-10 are for the purpose of illustrating portions of the desk that form no part of the claimed design.

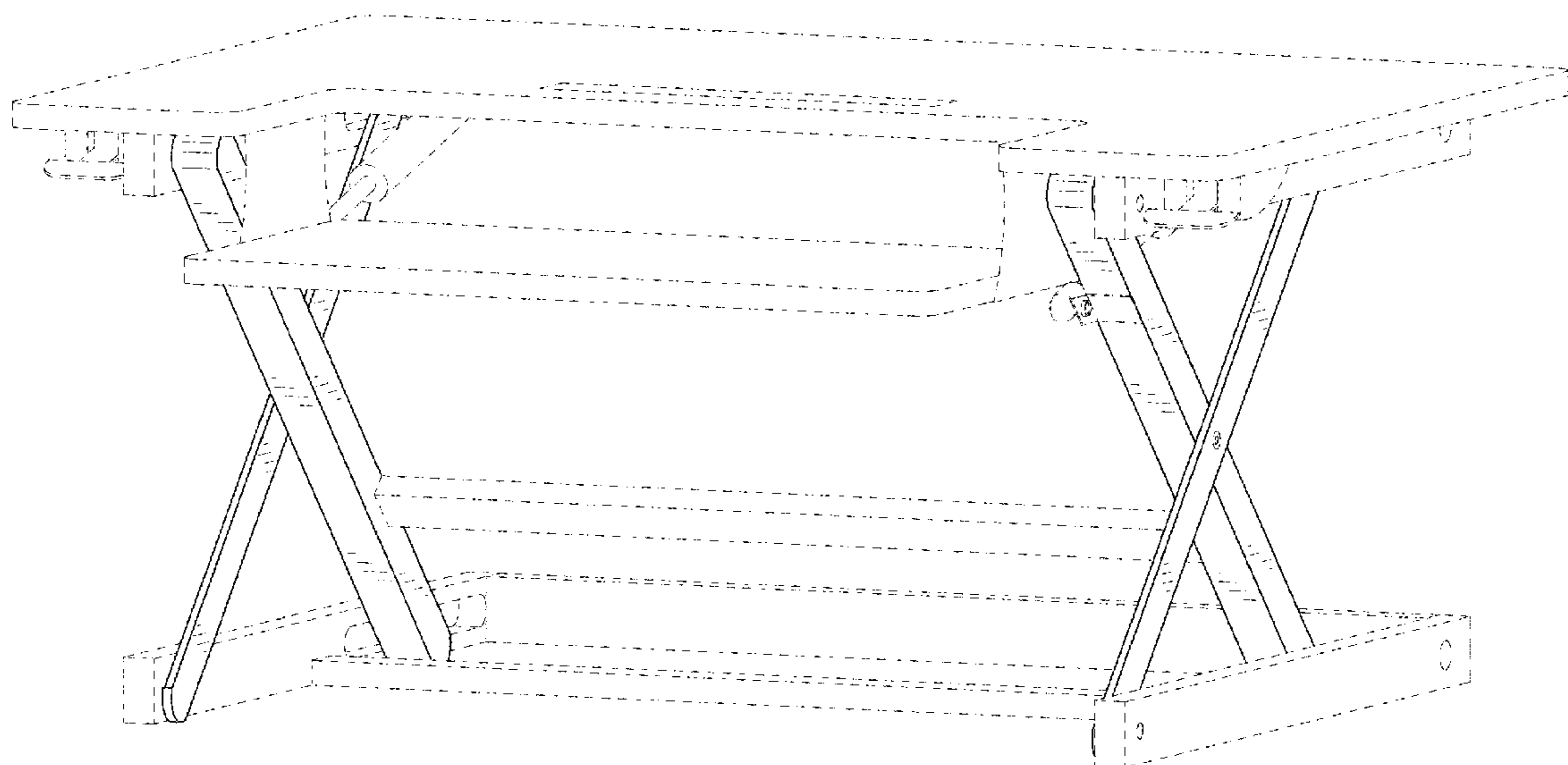
1 Claim, 10 Drawing Sheets

(56) **References Cited**

U.S. PATENT DOCUMENTS

4,577,821 A * 3/1986 Edmo B66F 7/08 108/145

4,753,419 A * 6/1988 Johansson B66F 7/08 254/122



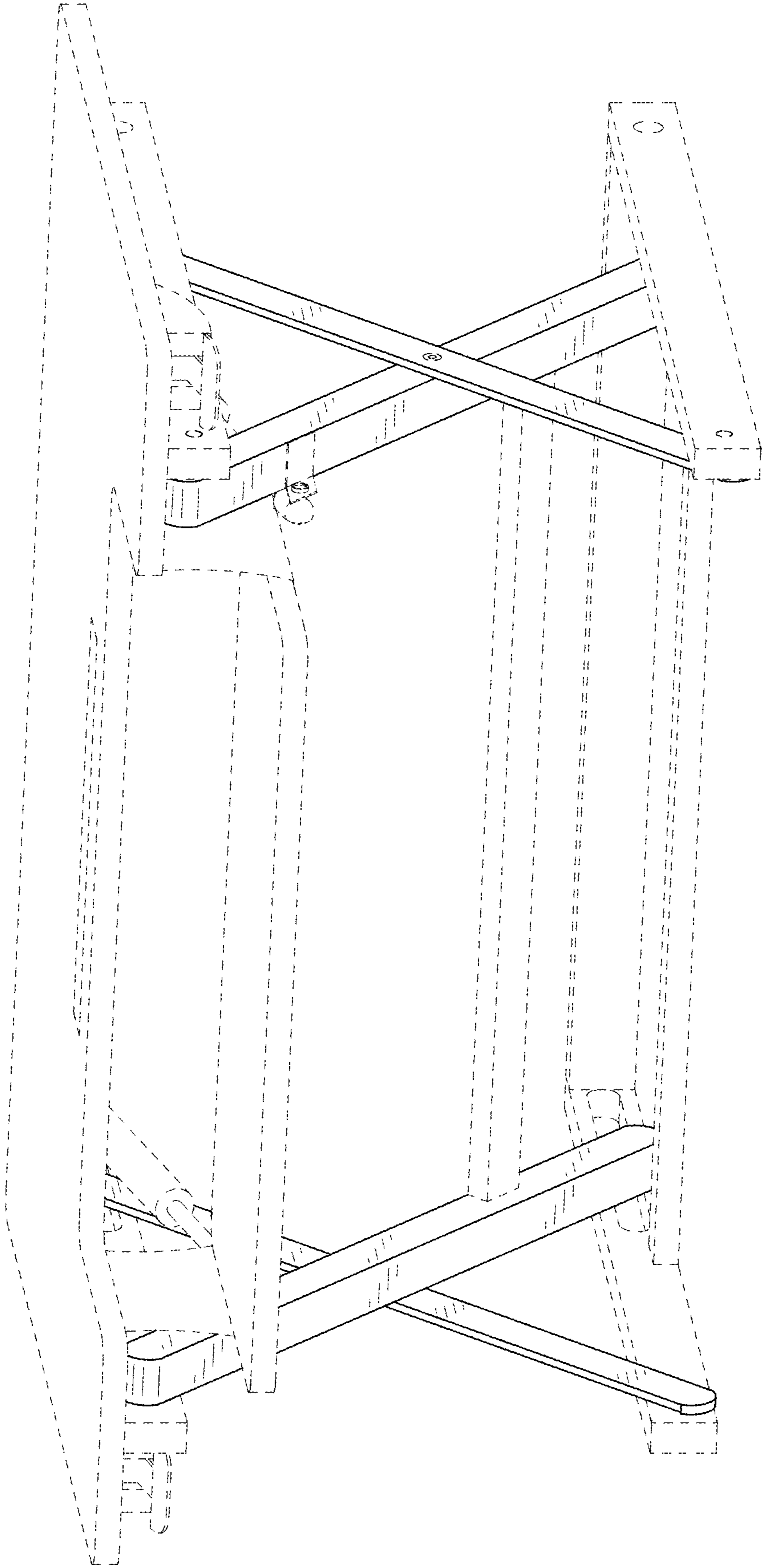


FIG. 1

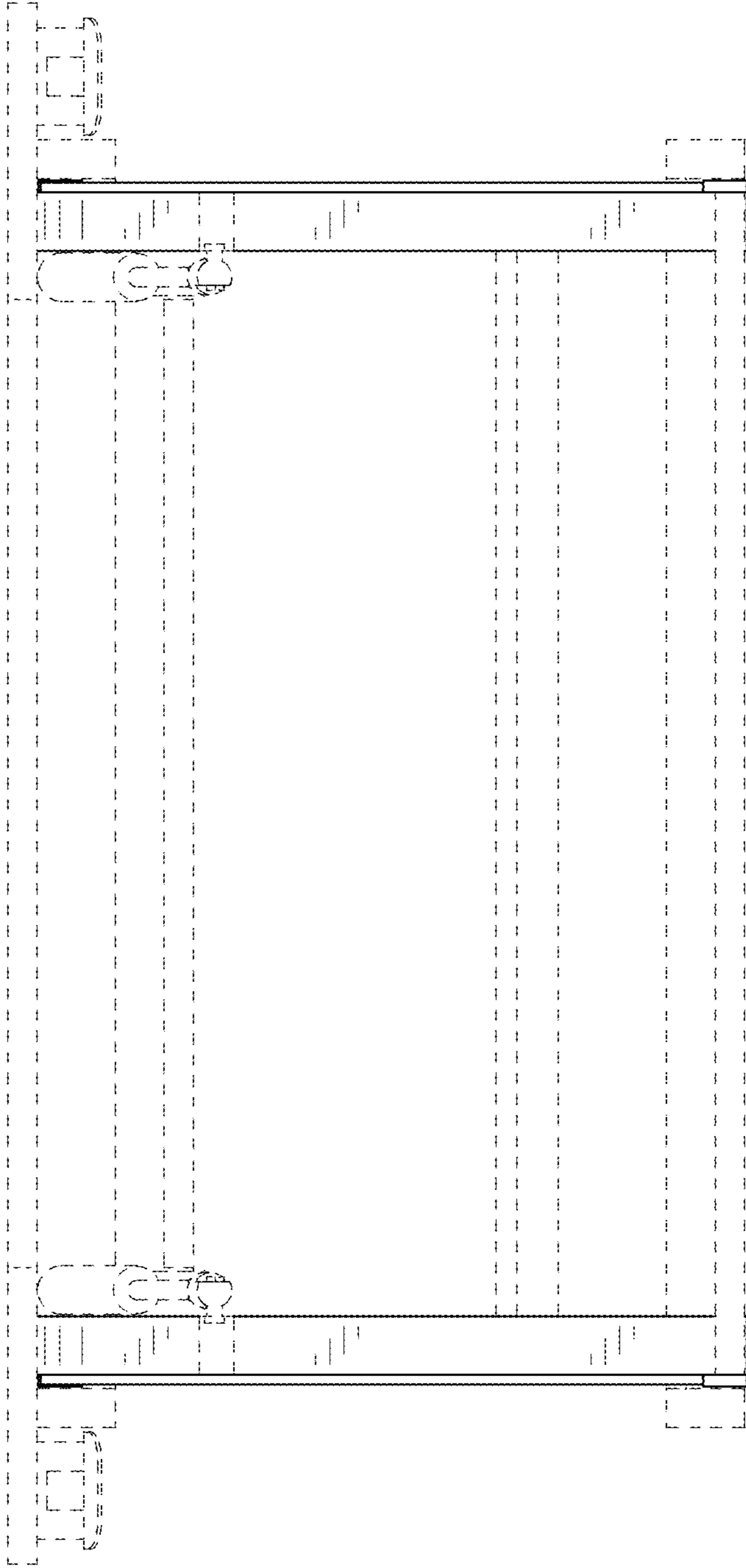


FIG. 2

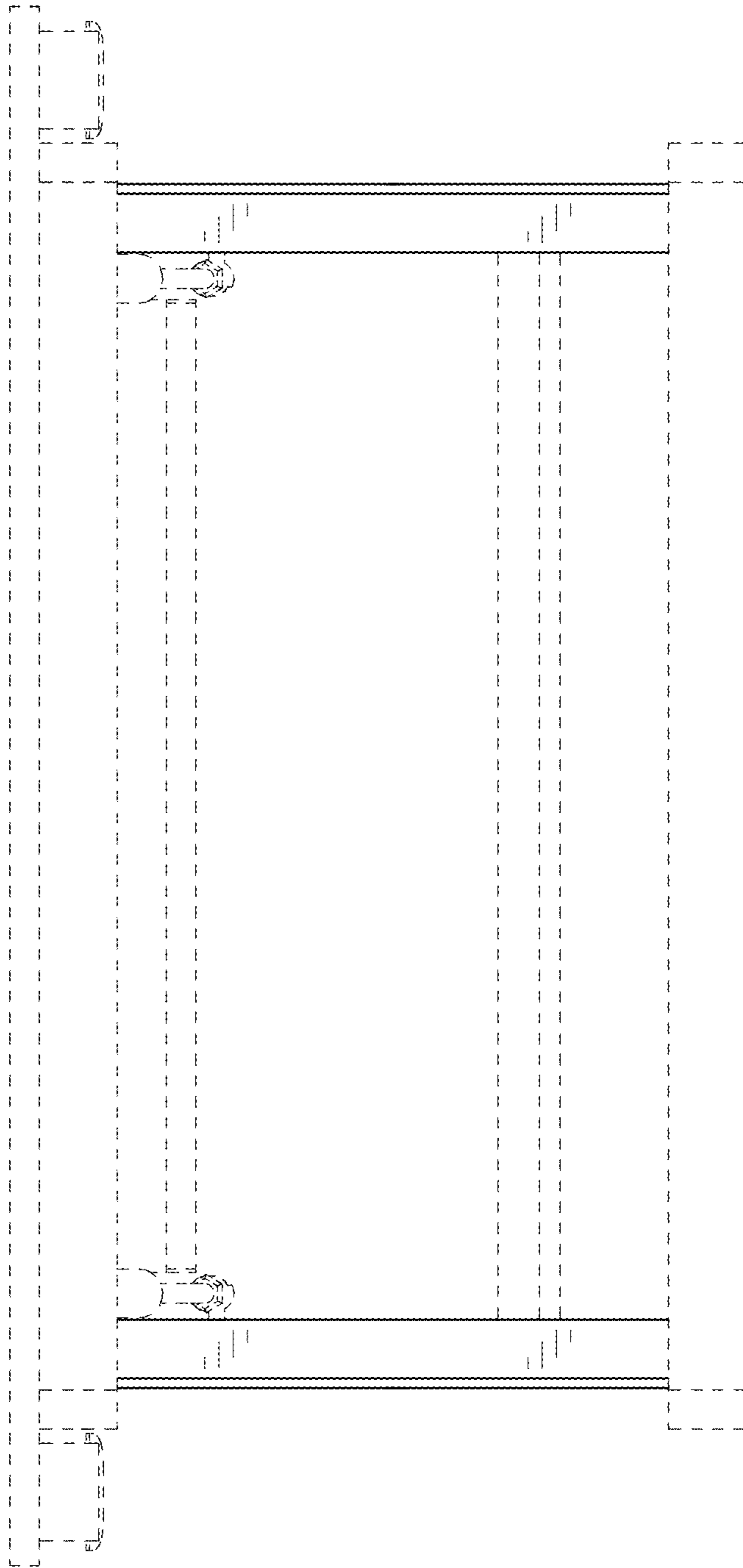


FIG. 3

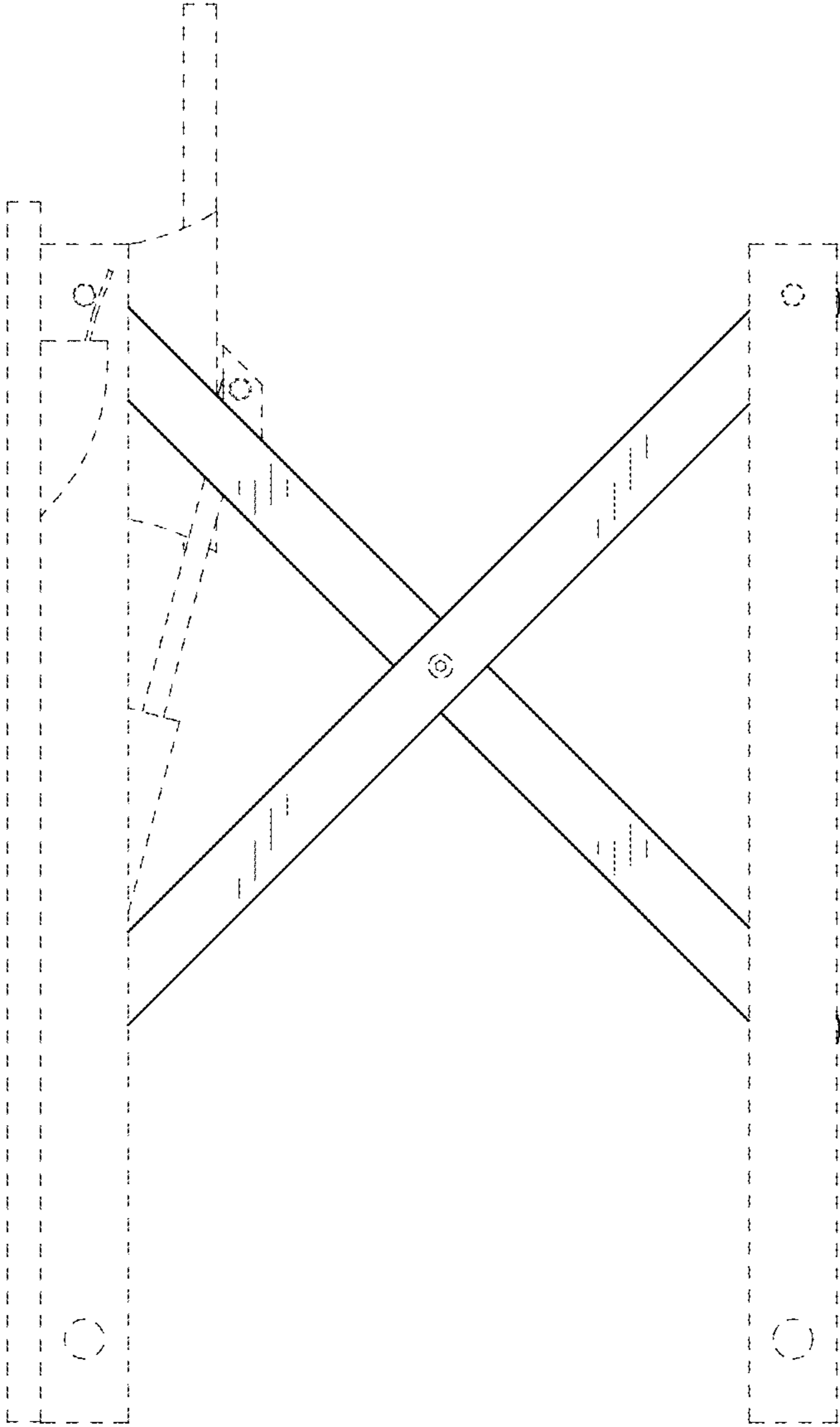


FIG. 4

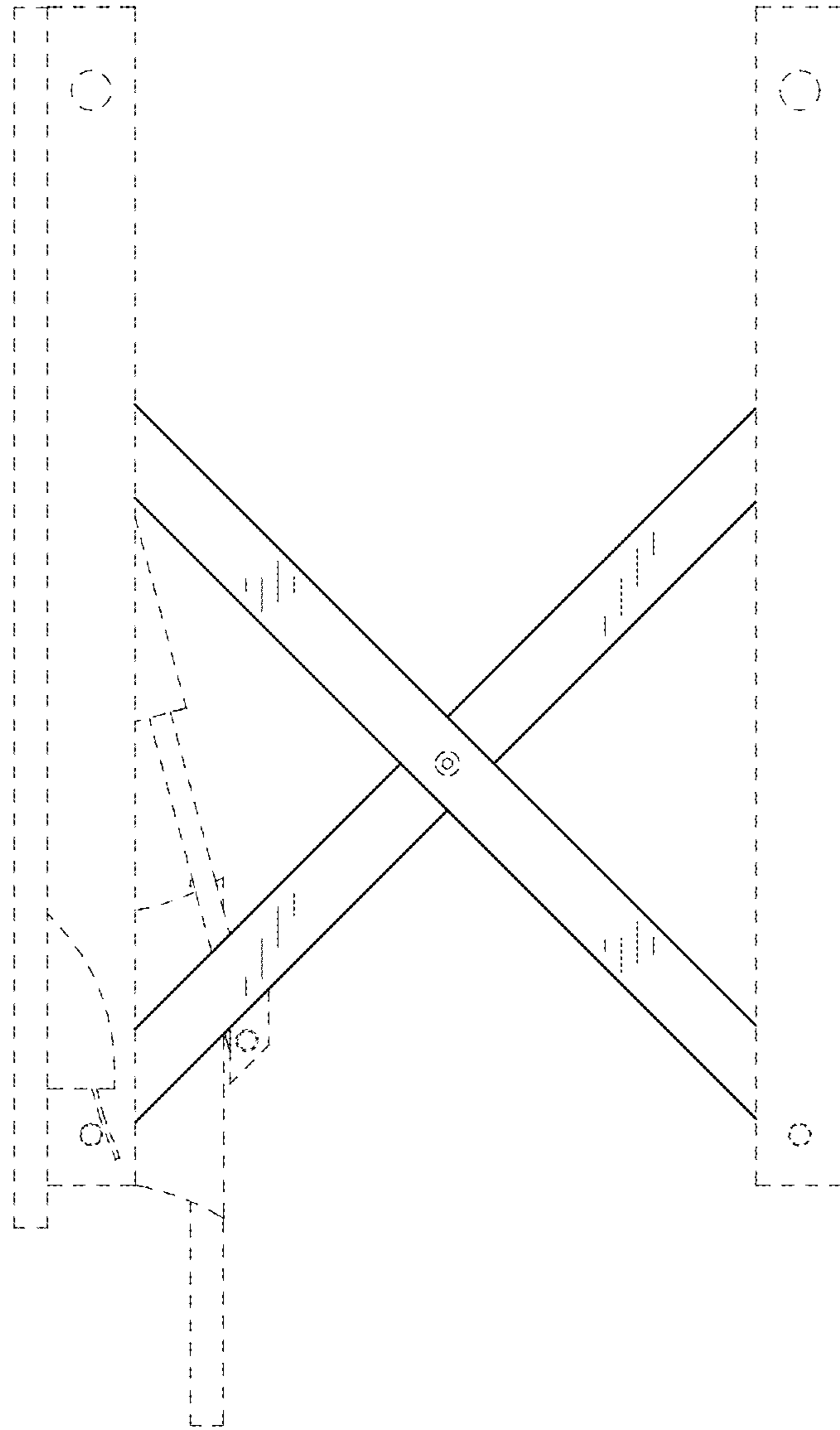


FIG. 5

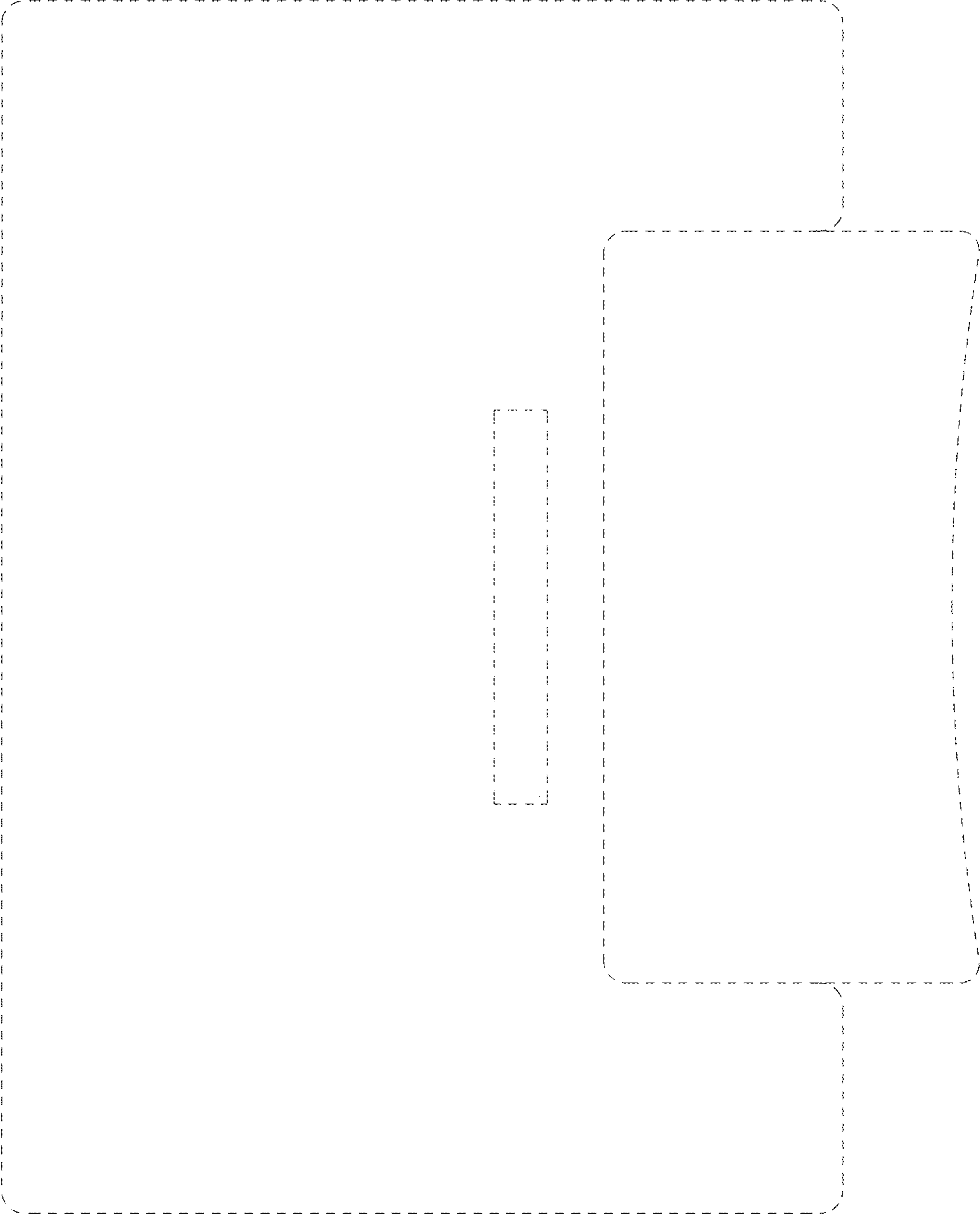


FIG. 6

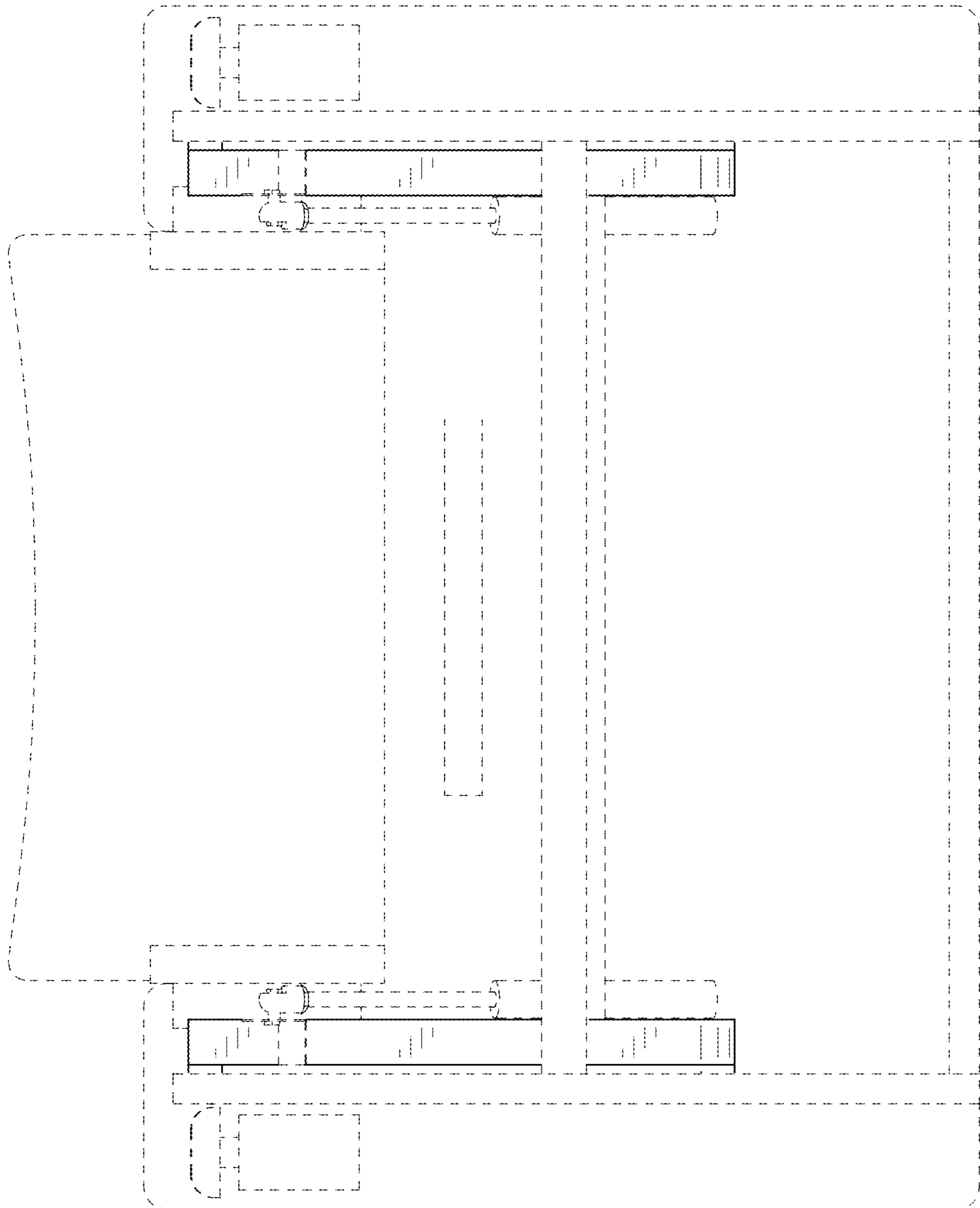


FIG. 7

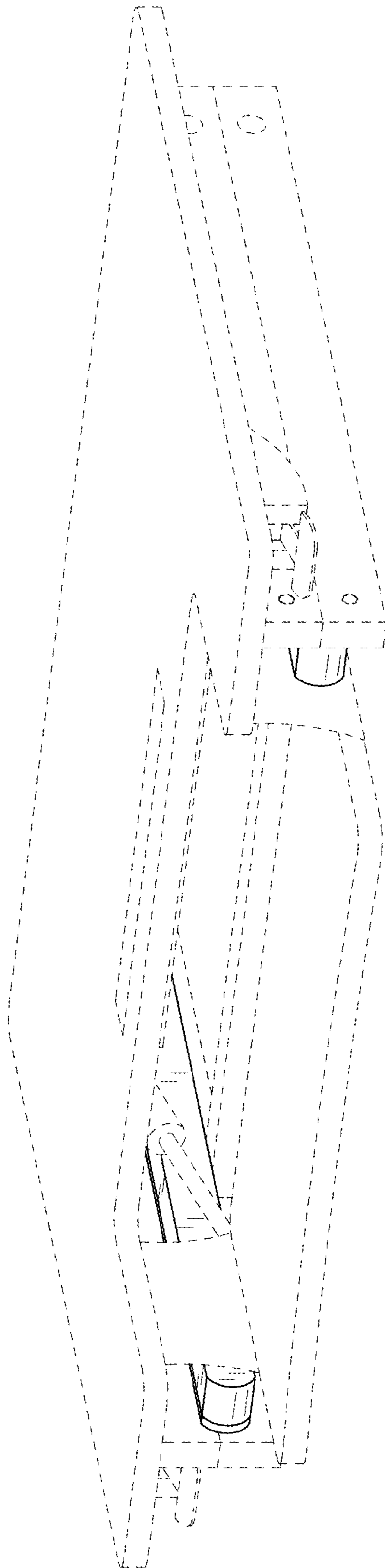


FIG. 8

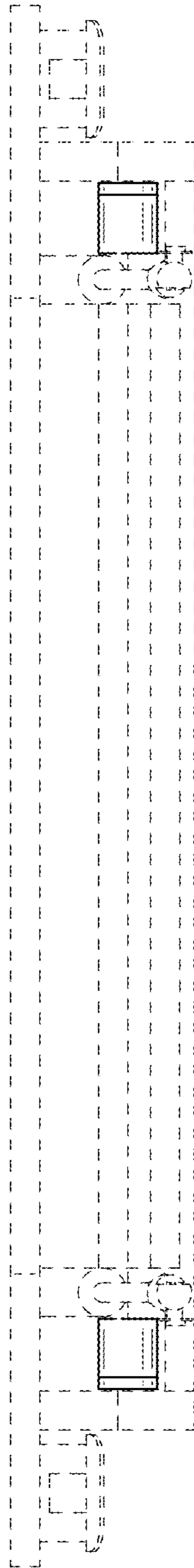


FIG. 9

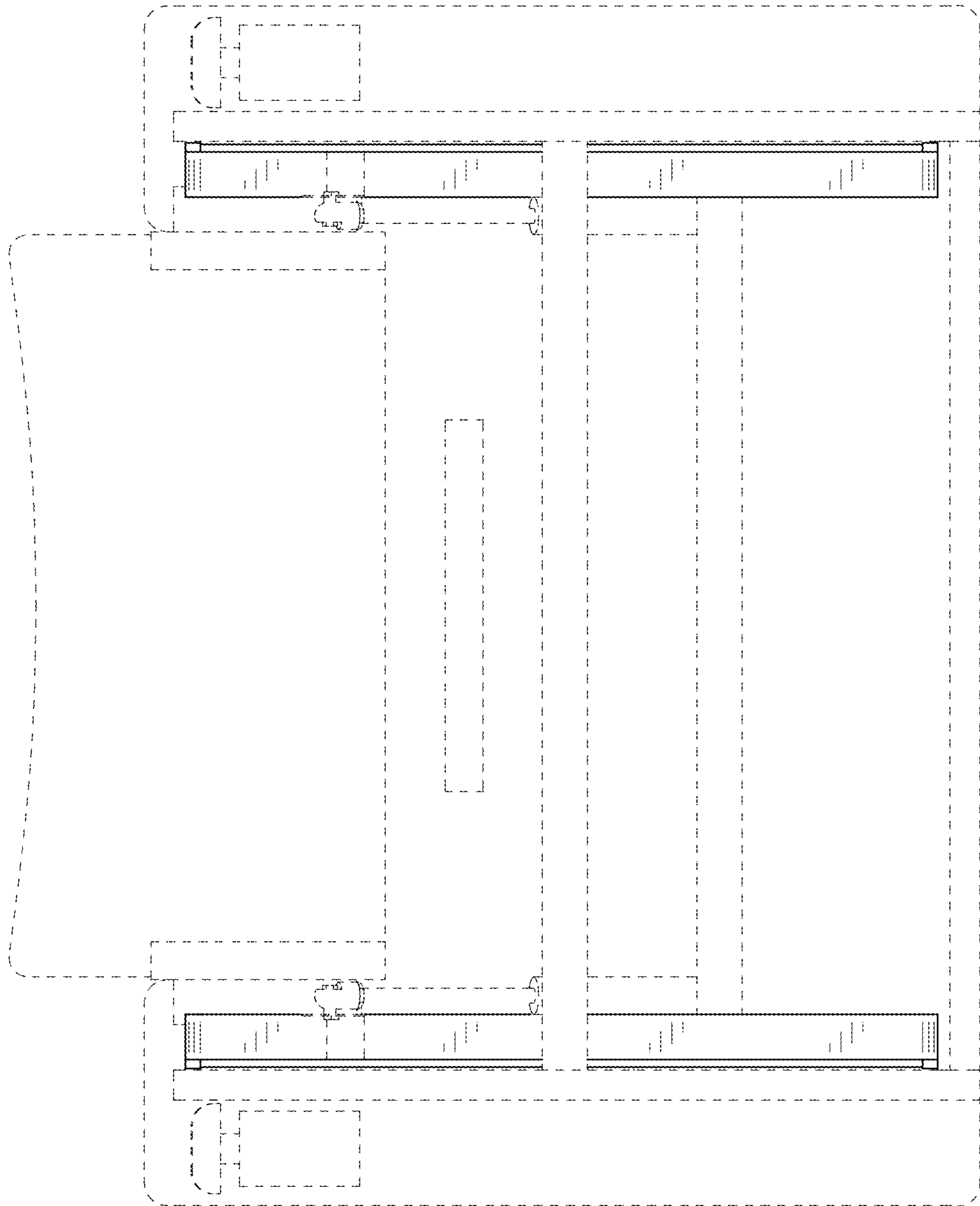


FIG. 10