



US00D901958S

(12) **United States Design Patent** (10) **Patent No.:** **US D901,958 S**  
**Failing** (45) **Date of Patent:** **\*\* Nov. 17, 2020**

(54) **WOBBLE STOOL**

(71) Applicant: **John R. Failing**, Swanton, MD (US)

(72) Inventor: **John R. Failing**, Swanton, MD (US)

(\*\*) Term: **15 Years**

(21) Appl. No.: **29/679,682**

(22) Filed: **Feb. 8, 2019**

(51) **LOC (12) Cl.** ..... **06-01**

(52) **U.S. Cl.**

USPC ..... **D6/708.2**

(58) **Field of Classification Search**

USPC ..... D6/334, 349–353, 355, 364–365,  
D6/691–691.9, 692–692.6, 709, 710,  
D6/716–716.1, 716.5, 719; D25/65  
CPC ..... A47B 7/00–02; A47C 11/00; A47C 12/00;  
A47C 13/00; A47C 16/00; A47C  
16/02–04; A47C 9/00–105; A47K 17/02;  
A47K 17/028

See application file for complete search history.

(56) **References Cited**

**U.S. PATENT DOCUMENTS**

D194,037 S *	11/1962	Reineman et al.	.....	D6/708.2
3,230,909 A *	1/1966	Watson	.....	A47C 9/00 108/150
D241,698 S *	10/1976	King, Jr.	.....	D6/708.2
D243,295 S *	2/1977	Hartinger	.....	D6/708.2
D248,329 S *	6/1978	Gensini	.....	D27/123
4,208,072 A *	6/1980	Iskendarian	.....	A47C 3/04 108/150
D283,856 S *	5/1986	Elmaleh	.....	D6/349
D311,104 S *	10/1990	Smith	.....	D6/708.2
D580,685 S *	11/2008	Draghici	.....	D6/708.2
D740,041 S *	10/2015	Chadwick	.....	A47C 3/029 D6/352
D801,064 S *	10/2017	Von Boetticher	.....	D6/352
D809,840 S *	2/2018	Theesfeld	.....	D6/708.2
D823,624 S *	7/2018	Elmaleh	.....	D6/716

**OTHER PUBLICATIONS**

Learniture Active Learning Chair Stool.[online] Published Sep. 10, 2016. Retrieved Jan. 31, 2020 from URL: [https://www.amazon.com/Learniture-Active-Learning-Chair-LNT-3046-18BK/dp/B01GU4L2AQ/ref=sr\\_1\\_13?keywords=wobble+stool&qid=1580496561&sr=8-13.\\*](https://www.amazon.com/Learniture-Active-Learning-Chair-LNT-3046-18BK/dp/B01GU4L2AQ/ref=sr_1_13?keywords=wobble+stool&qid=1580496561&sr=8-13.*)

Classroom Select NeoRok Adjustable Height Motion Stool. [online] Retrieved Jan. 31, 2020 from URL: [https://www.amazon.com/Classroom-Select-NeoRok-Adjustable-Height/dp/B07SX51QDG/ref=sr\\_1\\_1?keywords=neorok&qid=1580497428&sr=8-1.\\*](https://www.amazon.com/Classroom-Select-NeoRok-Adjustable-Height/dp/B07SX51QDG/ref=sr_1_1?keywords=neorok&qid=1580497428&sr=8-1.*)

\* cited by examiner

*Primary Examiner* — Vy N Koenig

(74) *Attorney, Agent, or Firm* — Andrew D. Wright; Roberts Calderon Safran & Cole, P.C.

(57) **CLAIM**

I claim the ornamental design for a wobble stool, as shown and described.

**DESCRIPTION**

FIG. 1 is a top, front, right isometric view of my new design for a wobble stool;

FIG. 2 is a bottom, rear, left isometric view thereof;

FIG. 3 is a front view thereof;

FIG. 4 is a rear view thereof;

FIG. 5 is a left view thereof;

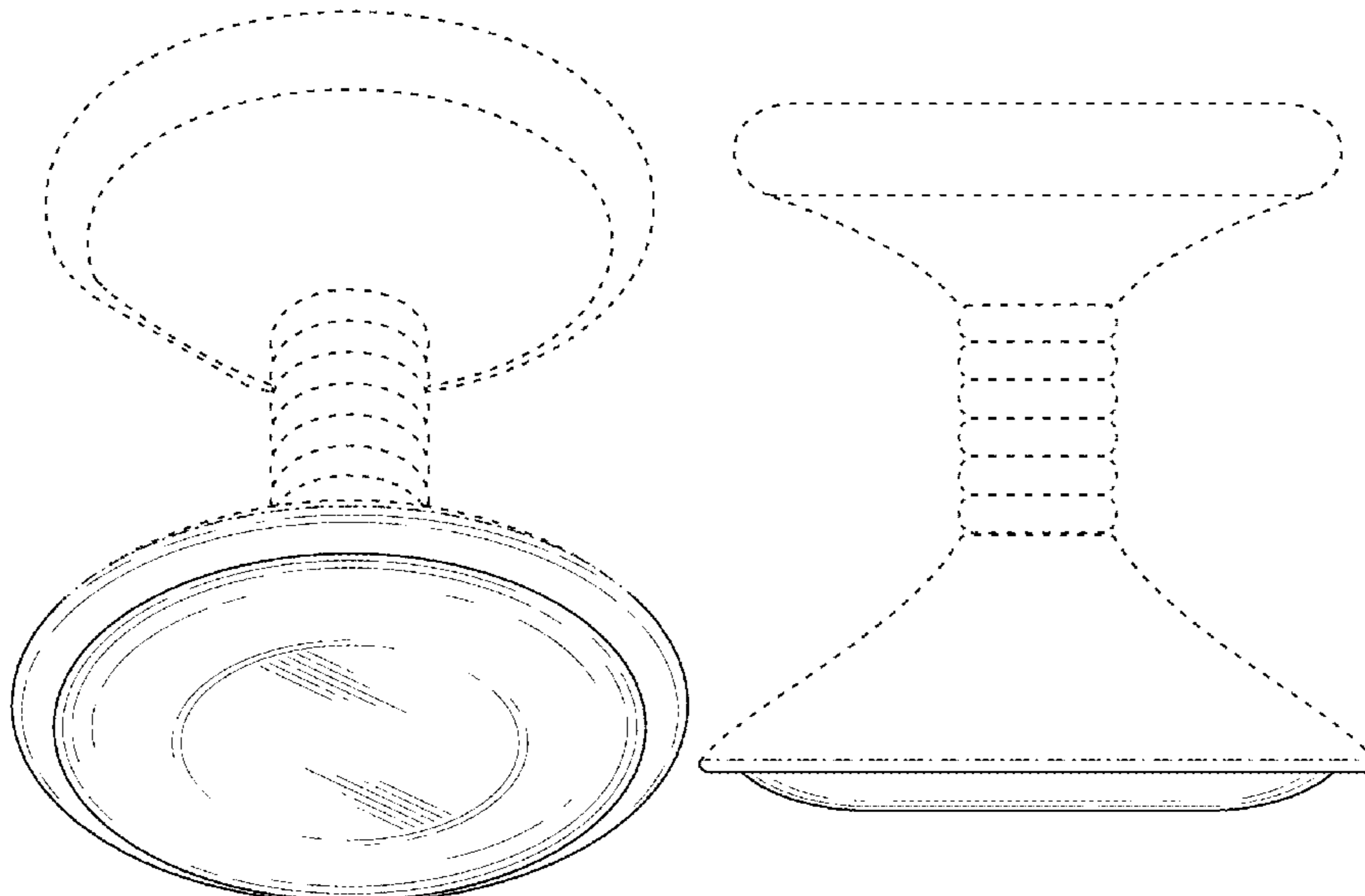
FIG. 6 is a right view thereof;

FIG. 7 is a top view thereof; and,

FIG. 8 is a bottom view thereof.

The evenly dashed broken lines in the drawings depict portions of the wobble stool that form no part of the claimed design. The unevenly dashed broken lines depict the boundaries of the claim and form no part of the claimed design.

**1 Claim, 7 Drawing Sheets**



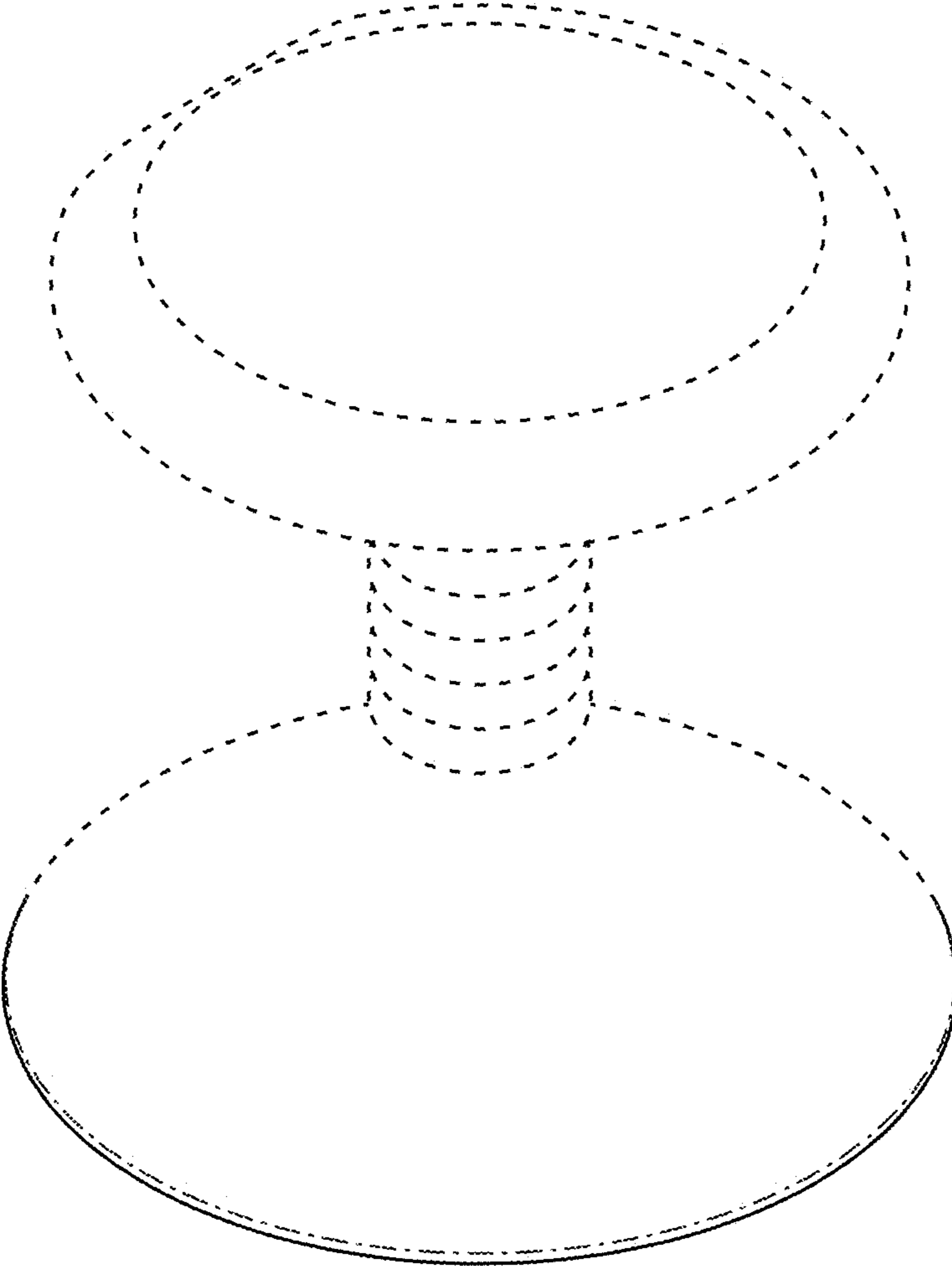


FIG. 1

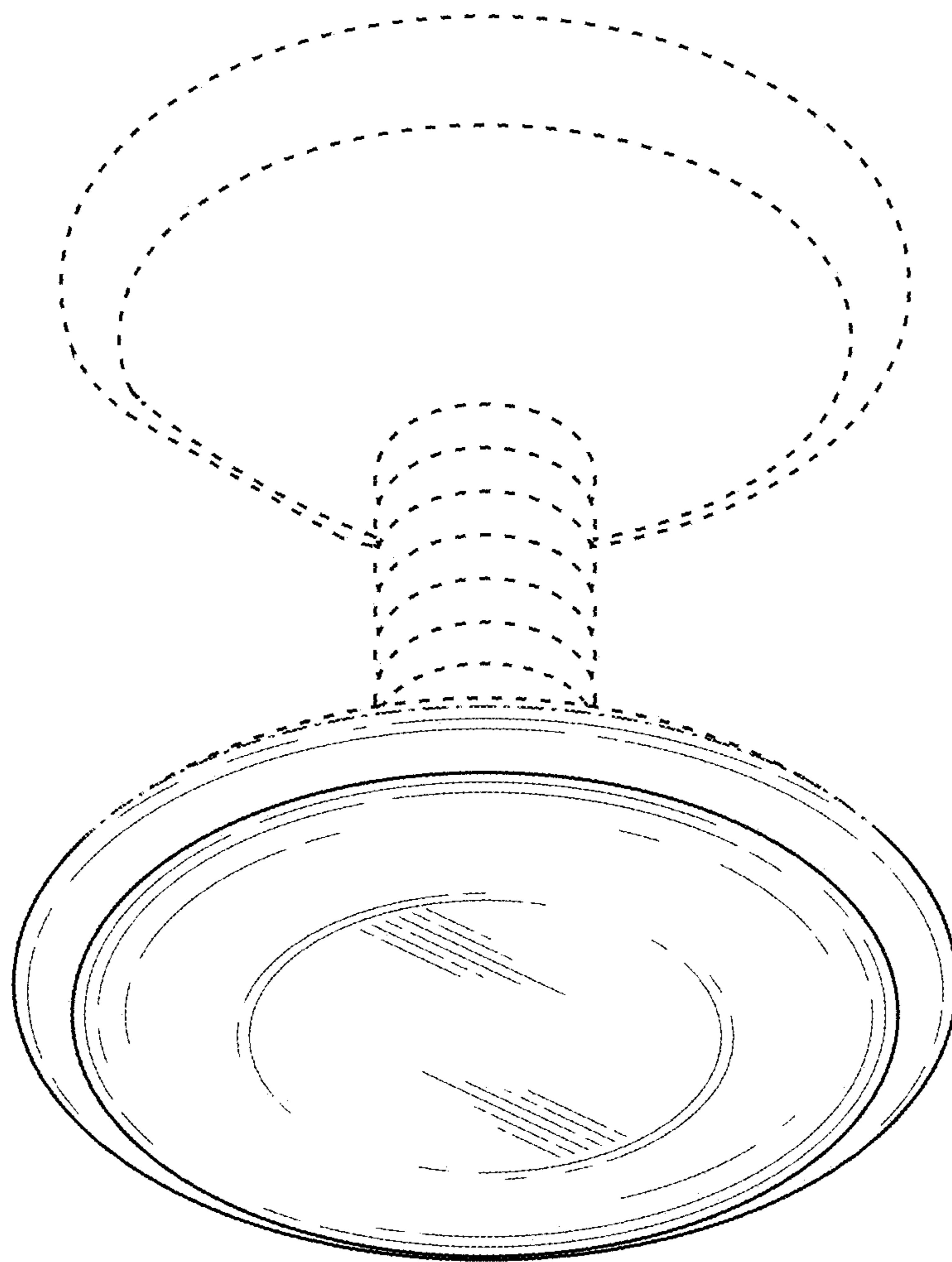


FIG. 2

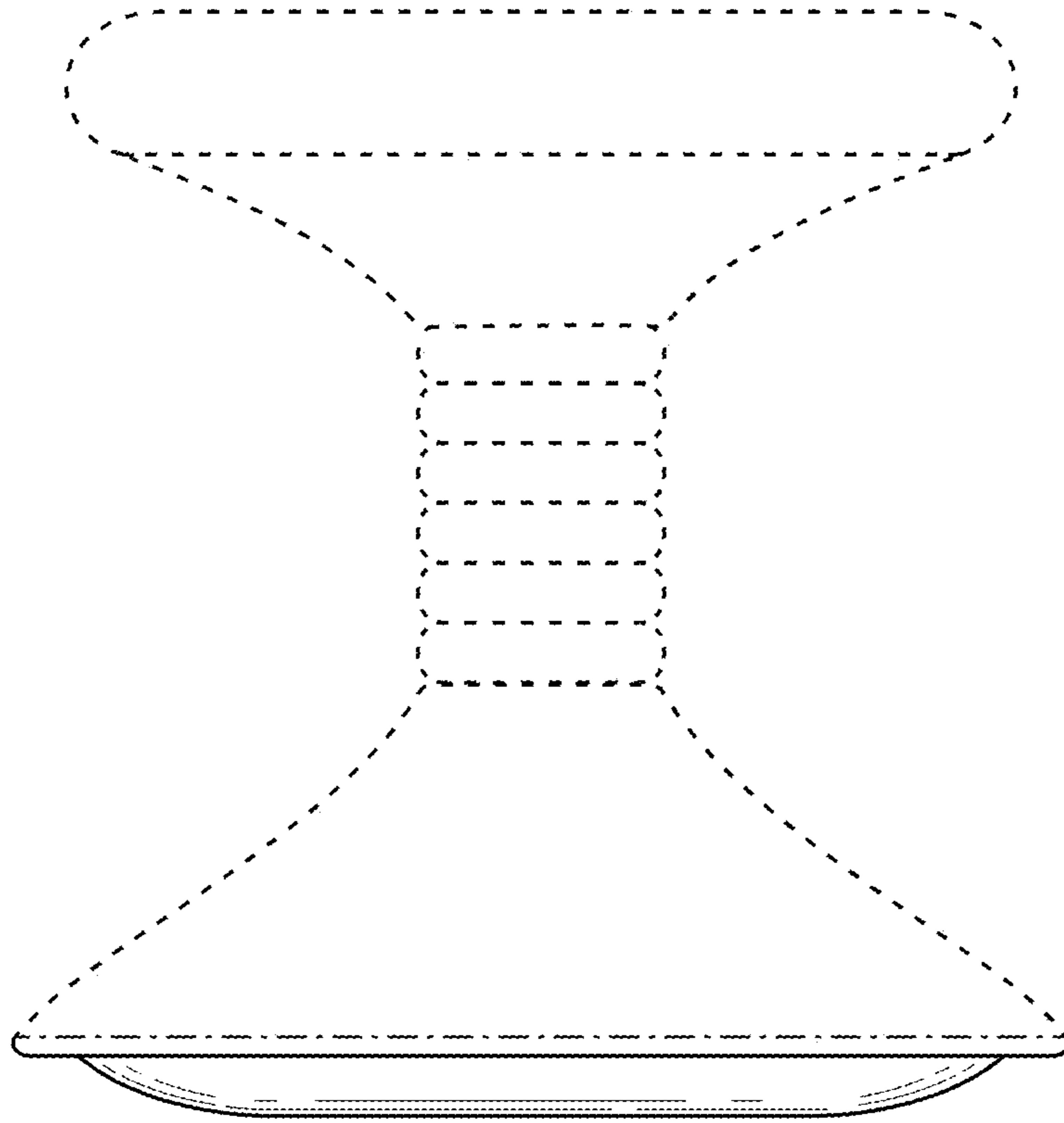


FIG. 3

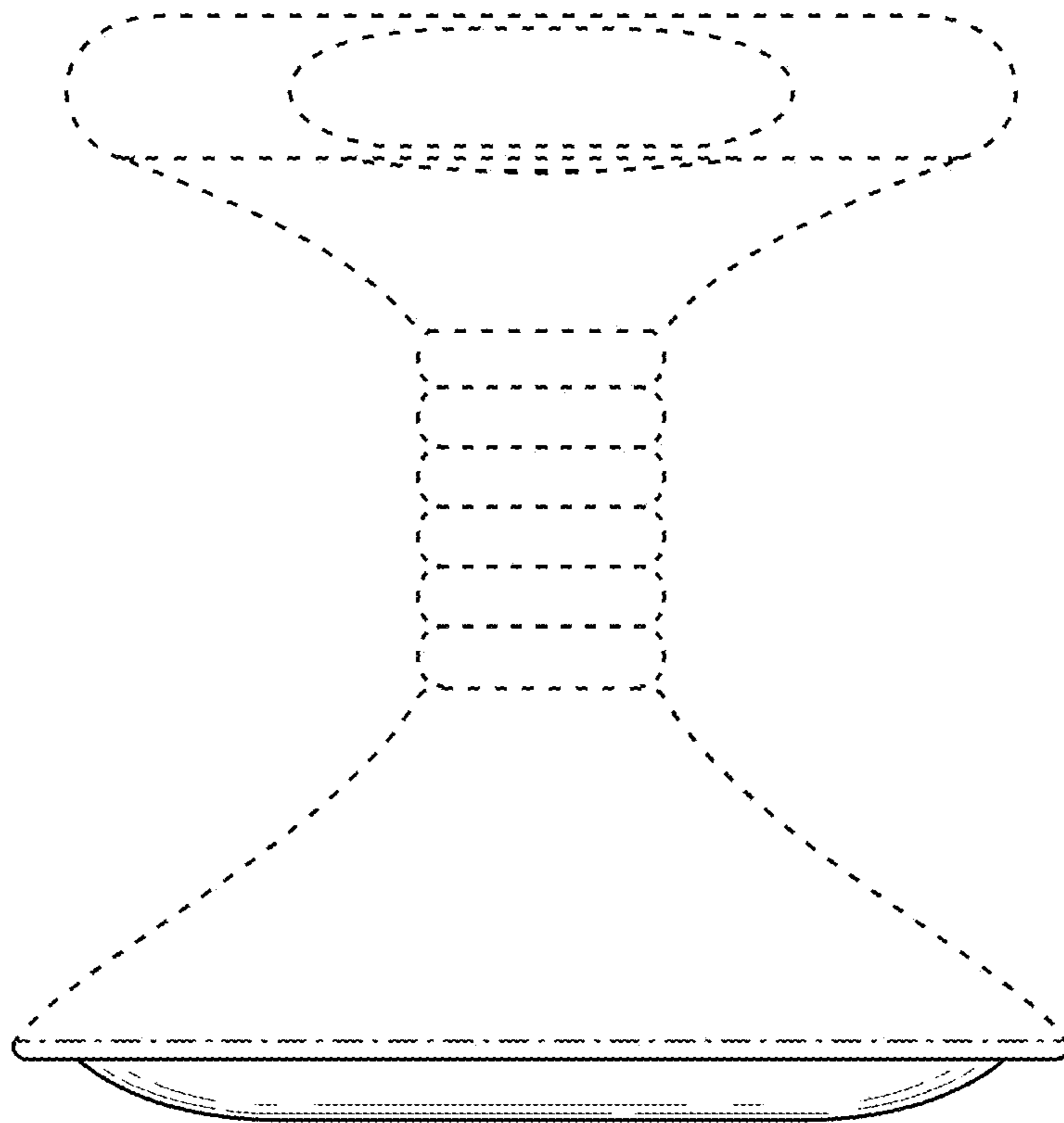


FIG. 4

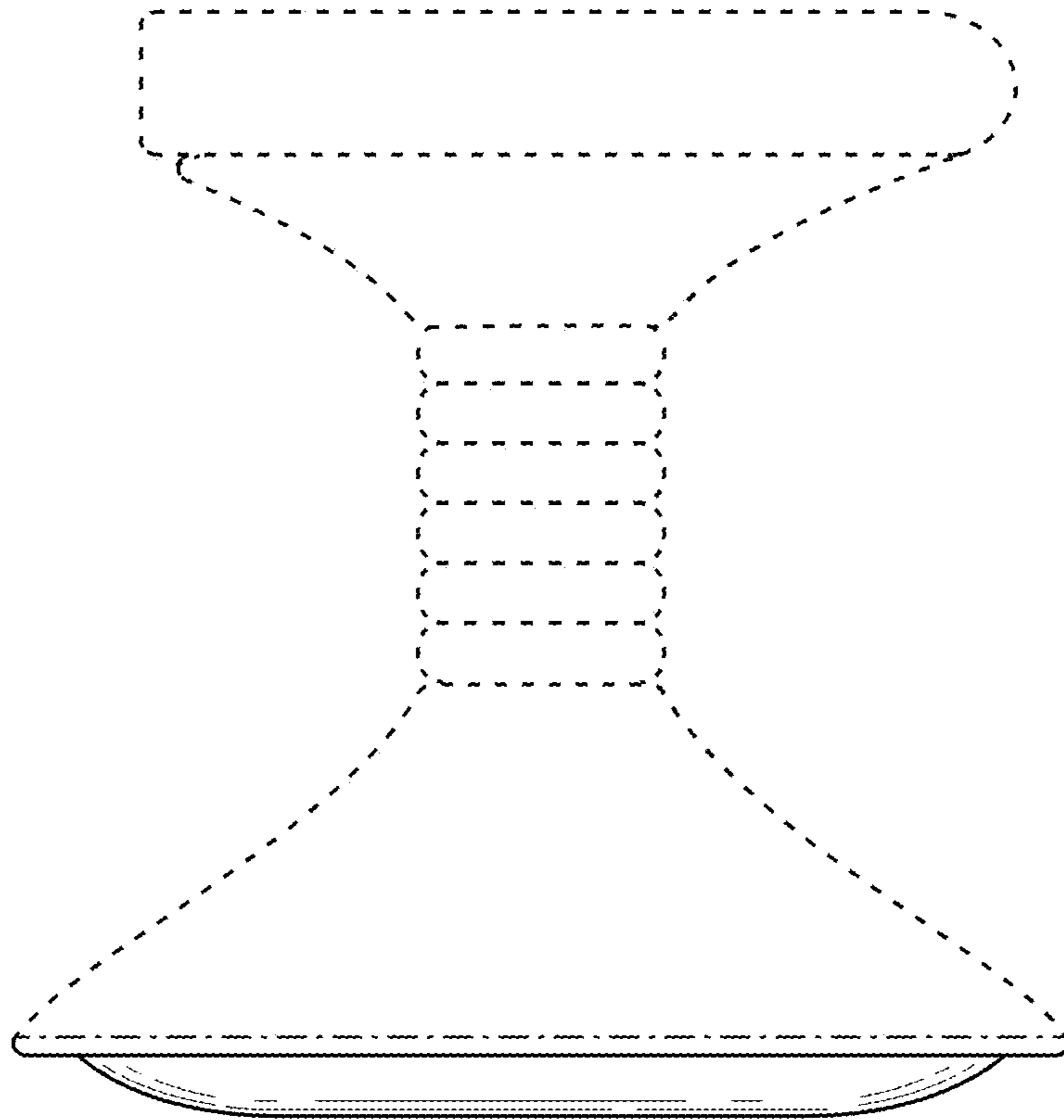


FIG. 5

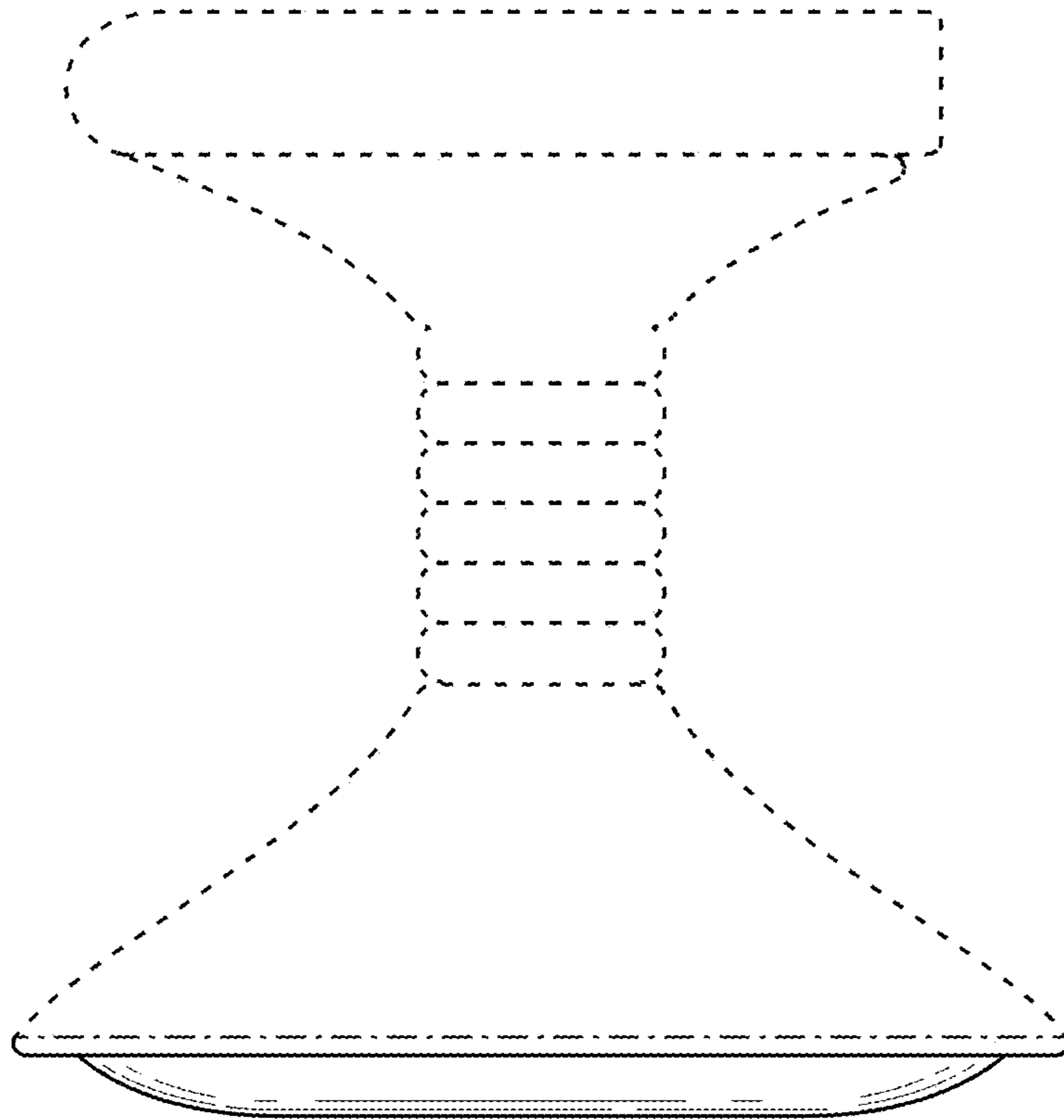


FIG. 6



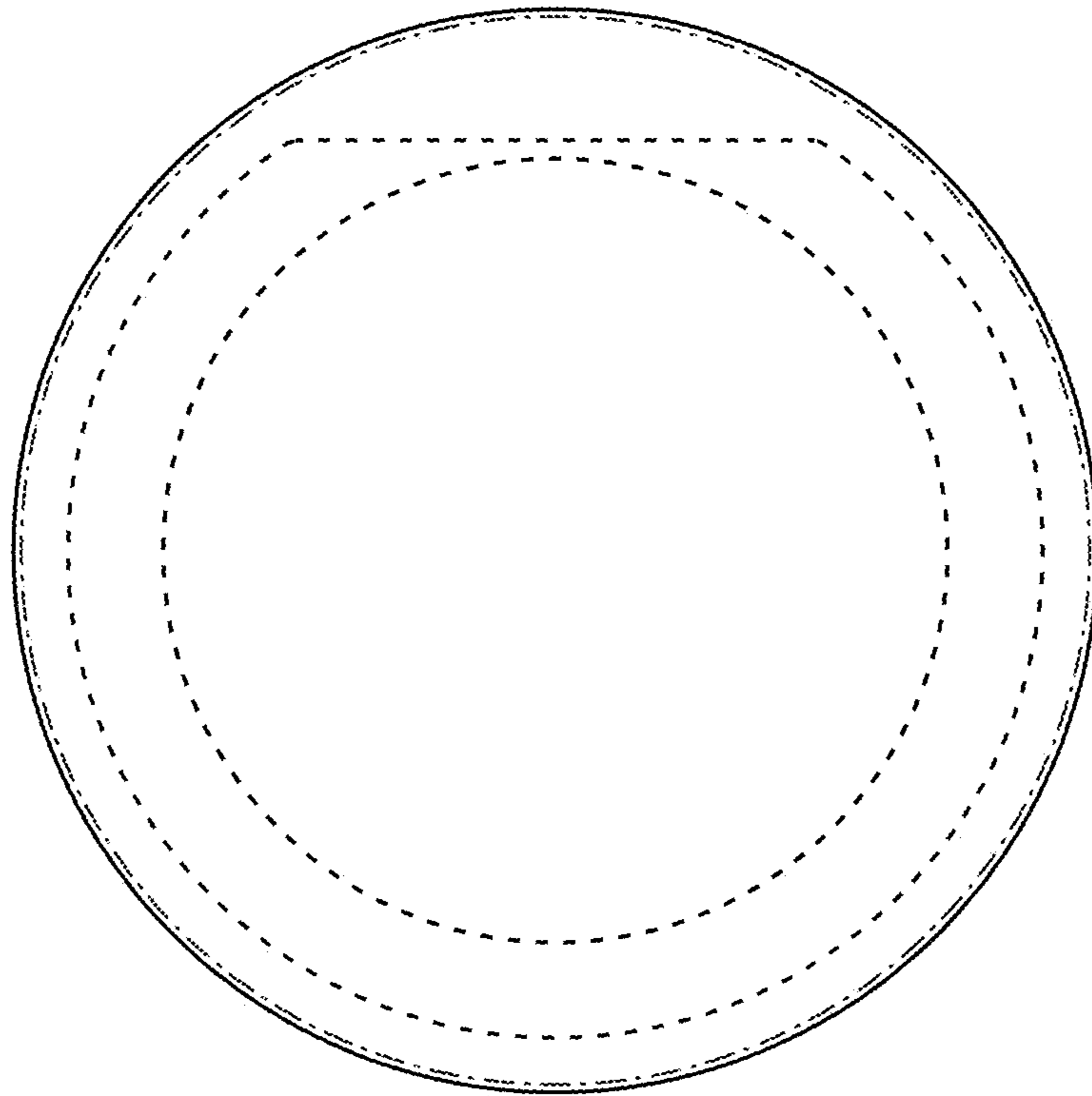


FIG. 7

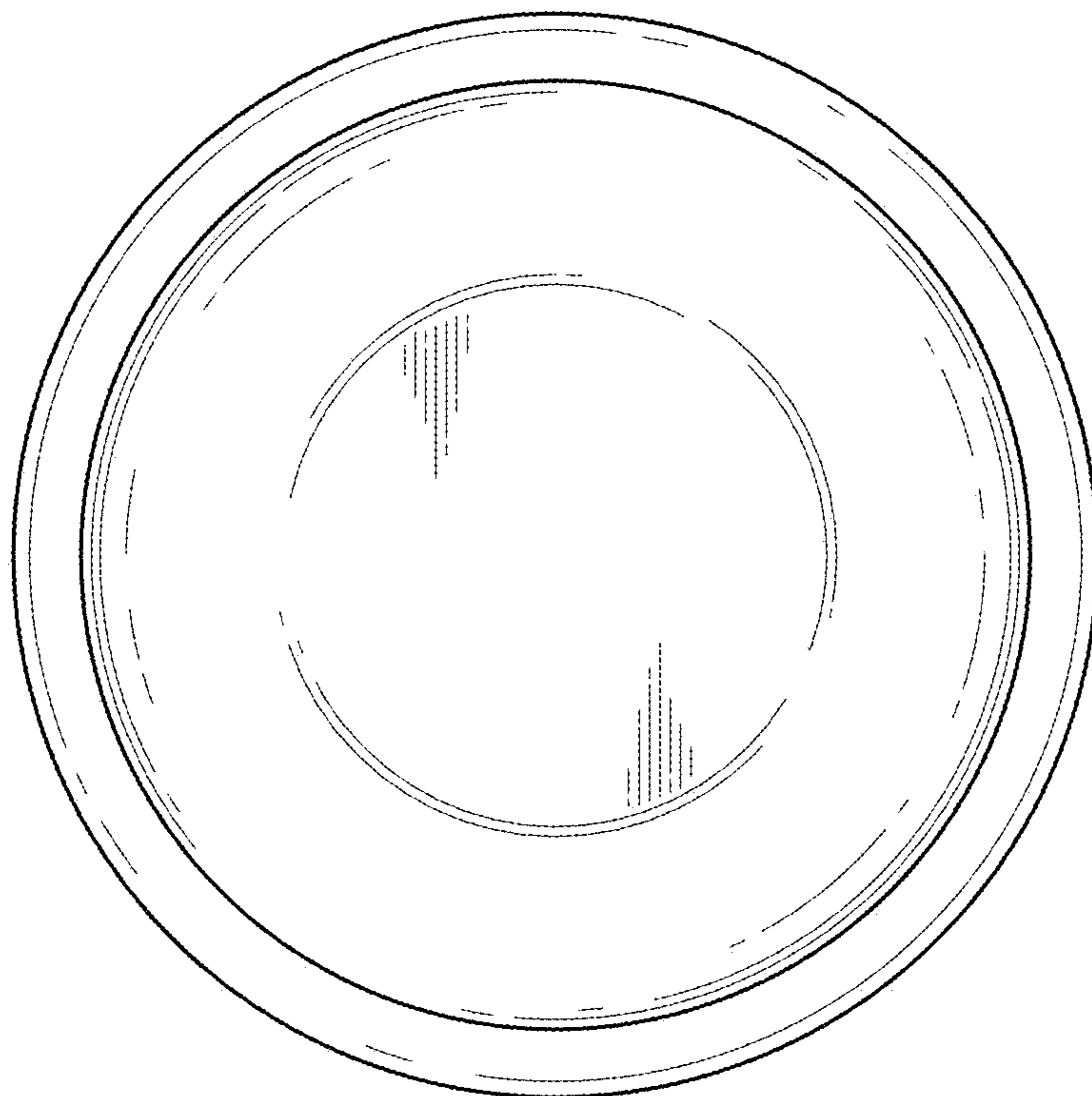


FIG. 8