

US00D901957S

(12) **United States Design Patent** (10) **Patent No.:** **US D901,957 S**
Muller (45) **Date of Patent:** **** Nov. 17, 2020**

(54) **TABLE BASE**
(71) Applicant: **Elite Manufacturing Corporation,**
Santa Fe Springs, CA (US)
(72) Inventor: **Carl Muller,** Seal Beach, CA (US)
(73) Assignee: **Elite Manufacturing Corporation,**
Santa Fe Springs, CA (US)

D716,597 S 11/2014 Muller
D750,405 S 3/2016 Muller
D766,635 S 9/2016 Muller
D770,208 S 11/2016 Muller
D775,884 S 1/2017 Muller
D777,492 S 1/2017 Muller
D795,616 S 8/2017 Muller
D822,417 S 7/2018 Muller
D825,966 S 8/2018 Muller

(**) Term: **15 Years**
(21) Appl. No.: **29/695,977**

(22) Filed: **Jun. 24, 2019**
(51) **LOC (12) Cl.** **06-06**
(52) **U.S. Cl.**
USPC **D6/708**
(58) **Field of Classification Search**
USPC D6/691, 691.4, 682, 692.3, 702, 709,
D6/709.22
CPC A47B 7/00; A47B 13/00; A47B 13/12;
A47B 2200/002
See application file for complete search history.

(56) **References Cited**
U.S. PATENT DOCUMENTS

D388,979 S * 1/1998 Walters, III D6/691.3
D573,377 S * 7/2008 Muller D6/708
D650,204 S * 12/2011 Muller D6/708
D665,602 S * 8/2012 Muller D6/708
D666,849 S * 9/2012 Muller D6/708
D675,847 S * 2/2013 Mehran D6/691
D716,595 S 11/2014 Muller

OTHER PUBLICATIONS

Prism—Elite Modern <http://elitemodern.com/products/prism-2/> retrieved from the internet on Sep. 24, 2020.*

* cited by examiner

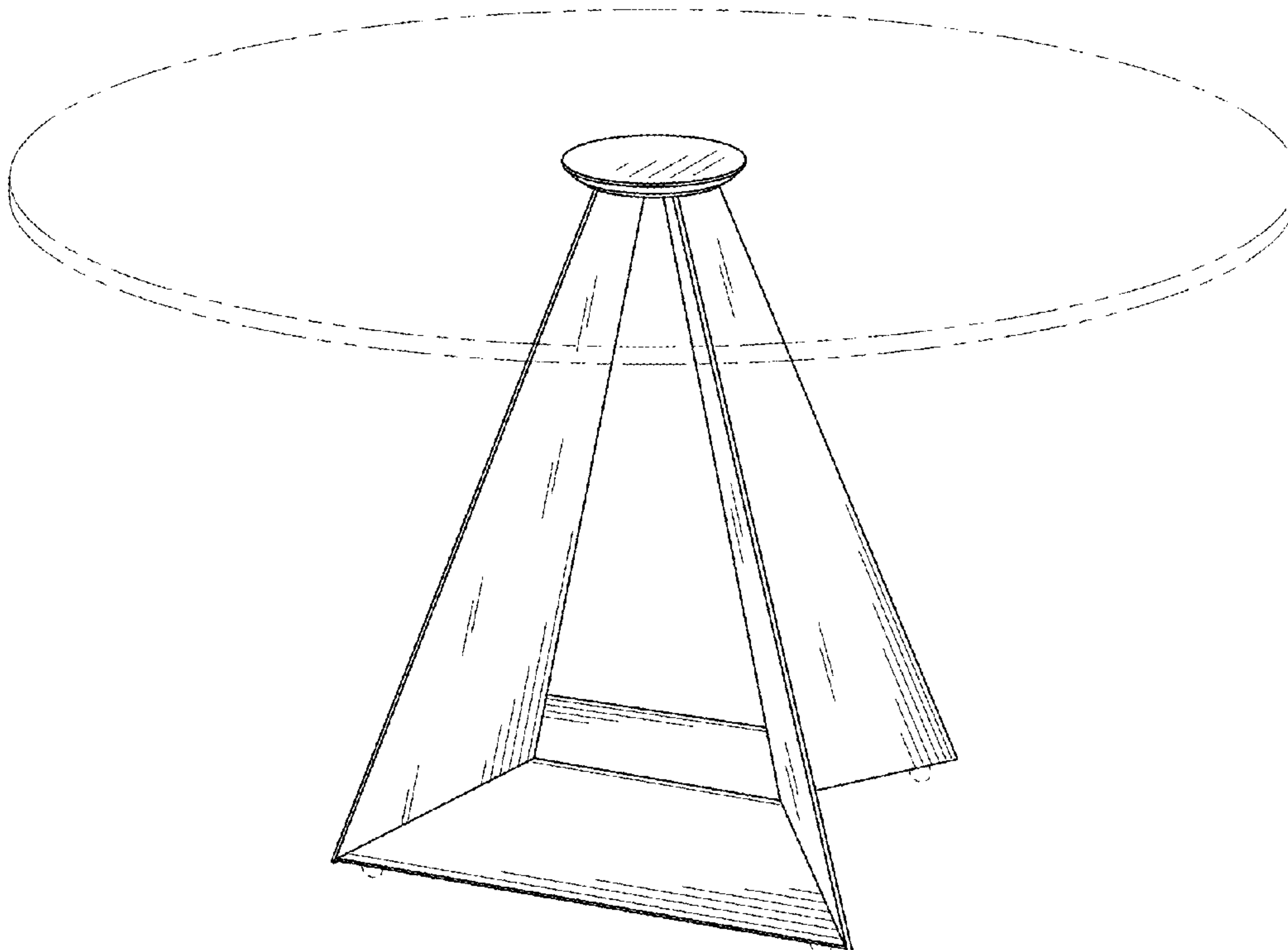
Primary Examiner — Mary Ann Calabrese
(74) *Attorney, Agent, or Firm* — Stetina Brunga Garred and Brucker

(57) **CLAIM**
The ornamental design for a table base, as shown and described.

DESCRIPTION

FIG. 1 is a perspective view of the table base of the present invention showing my new design; FIG. 2 is a top plan view thereof; FIG. 3 is a front and rear elevational view thereof; FIG. 4 is a side elevational view thereof; and, FIG. 5 is a bottom plan view thereof. The broken lines shown in the figures illustrate environmental structure and form no part of the claimed design.

1 Claim, 3 Drawing Sheets



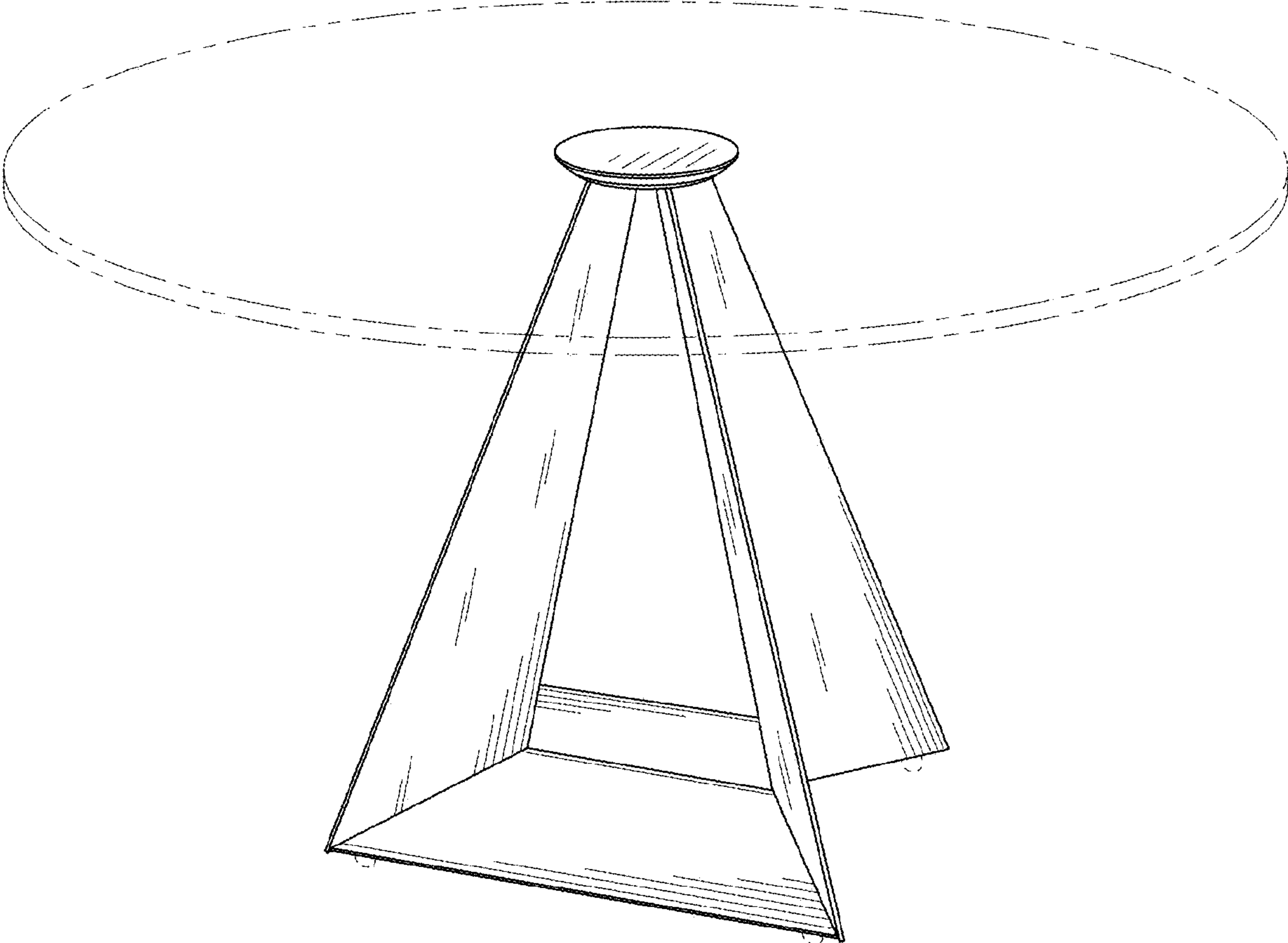


FIG. 1

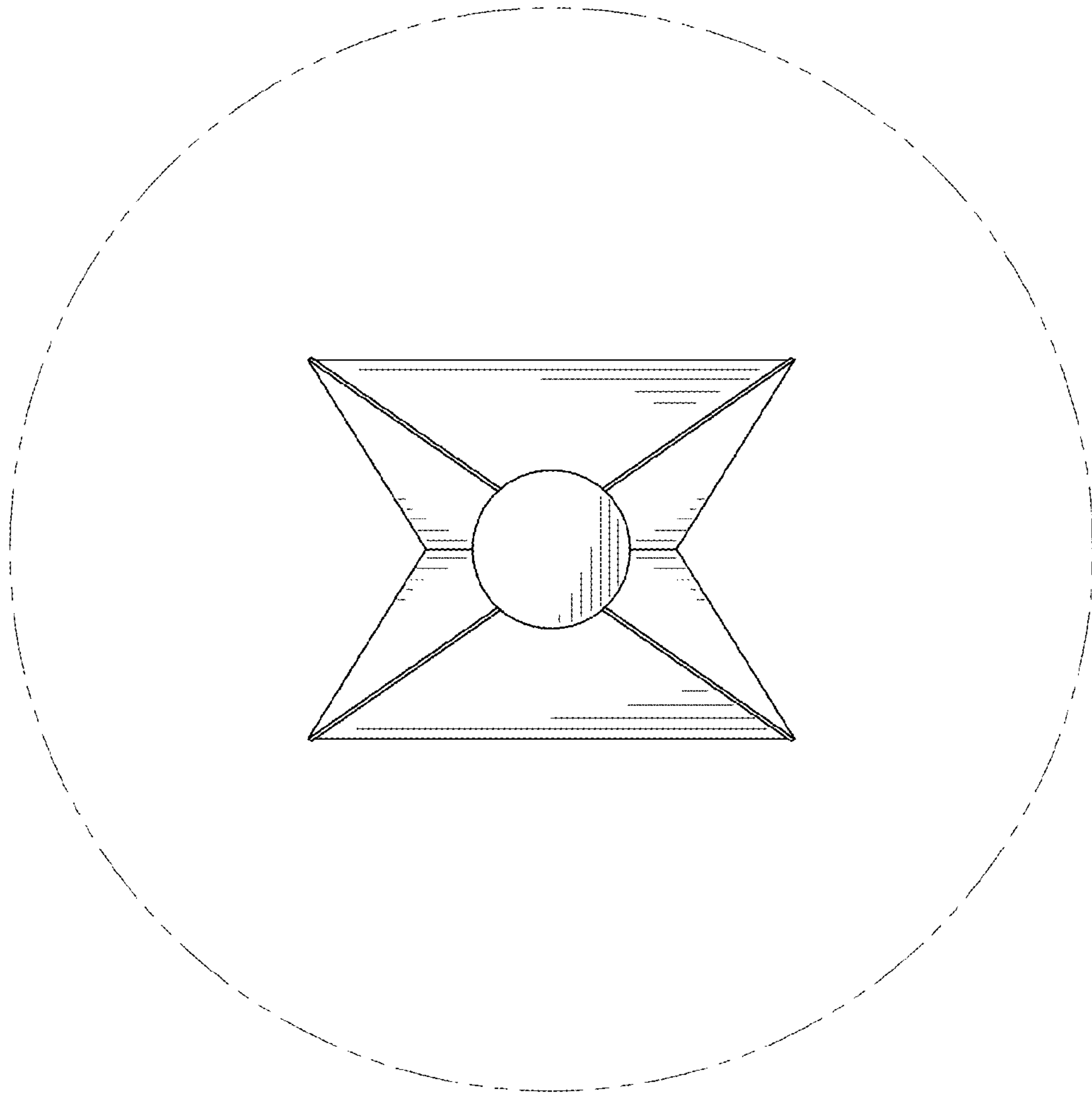


FIG. 2

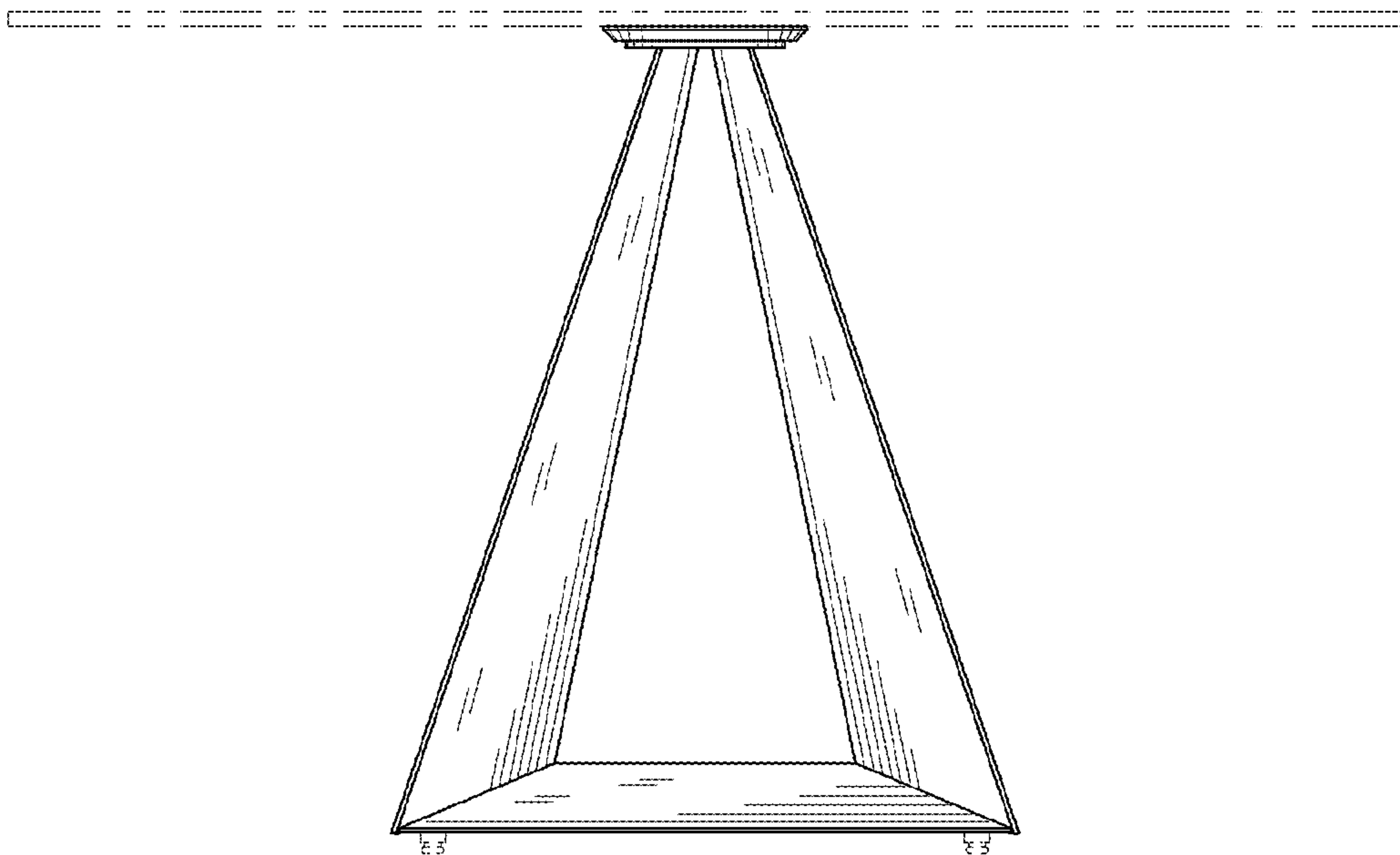


FIG. 3

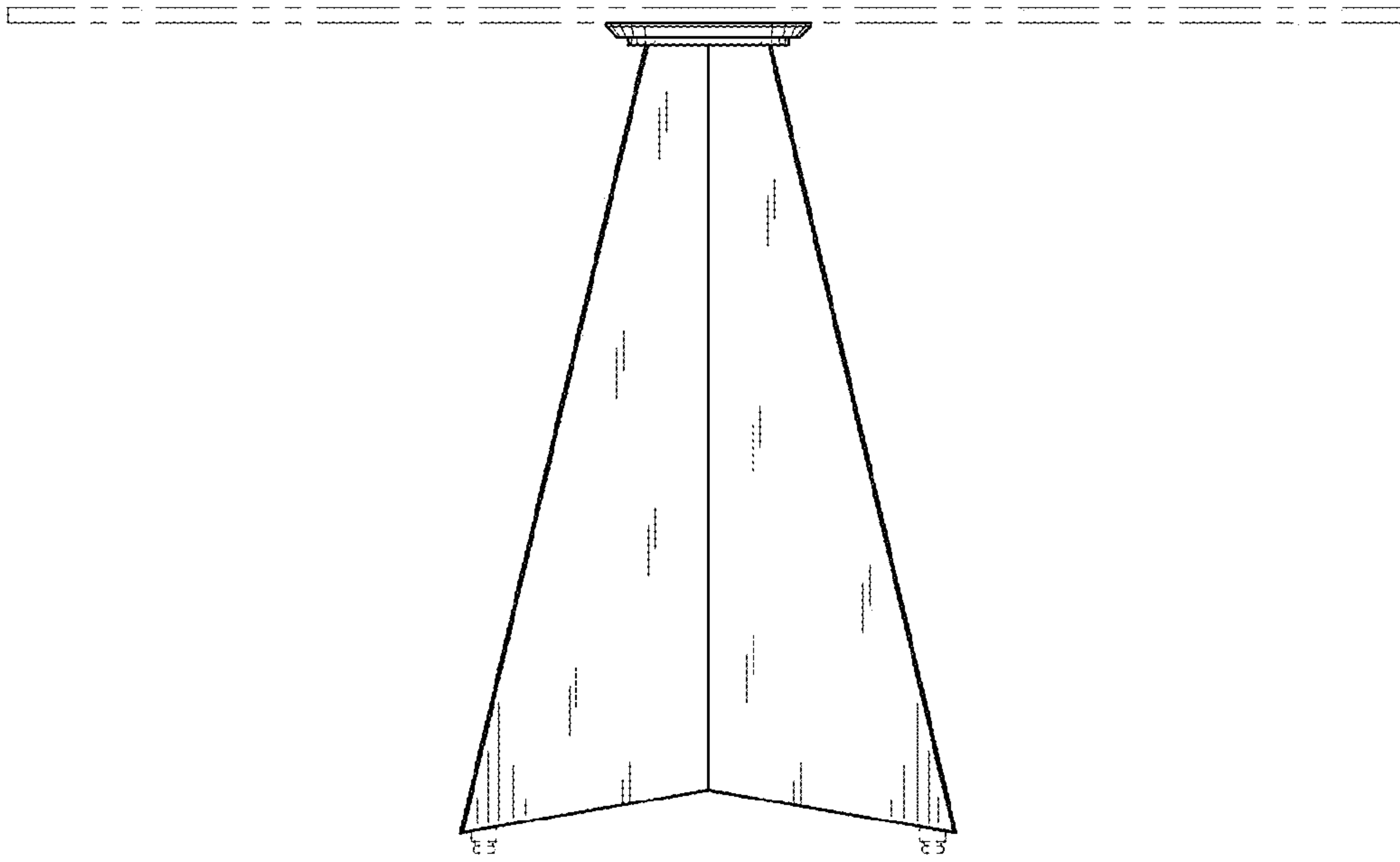


FIG. 4

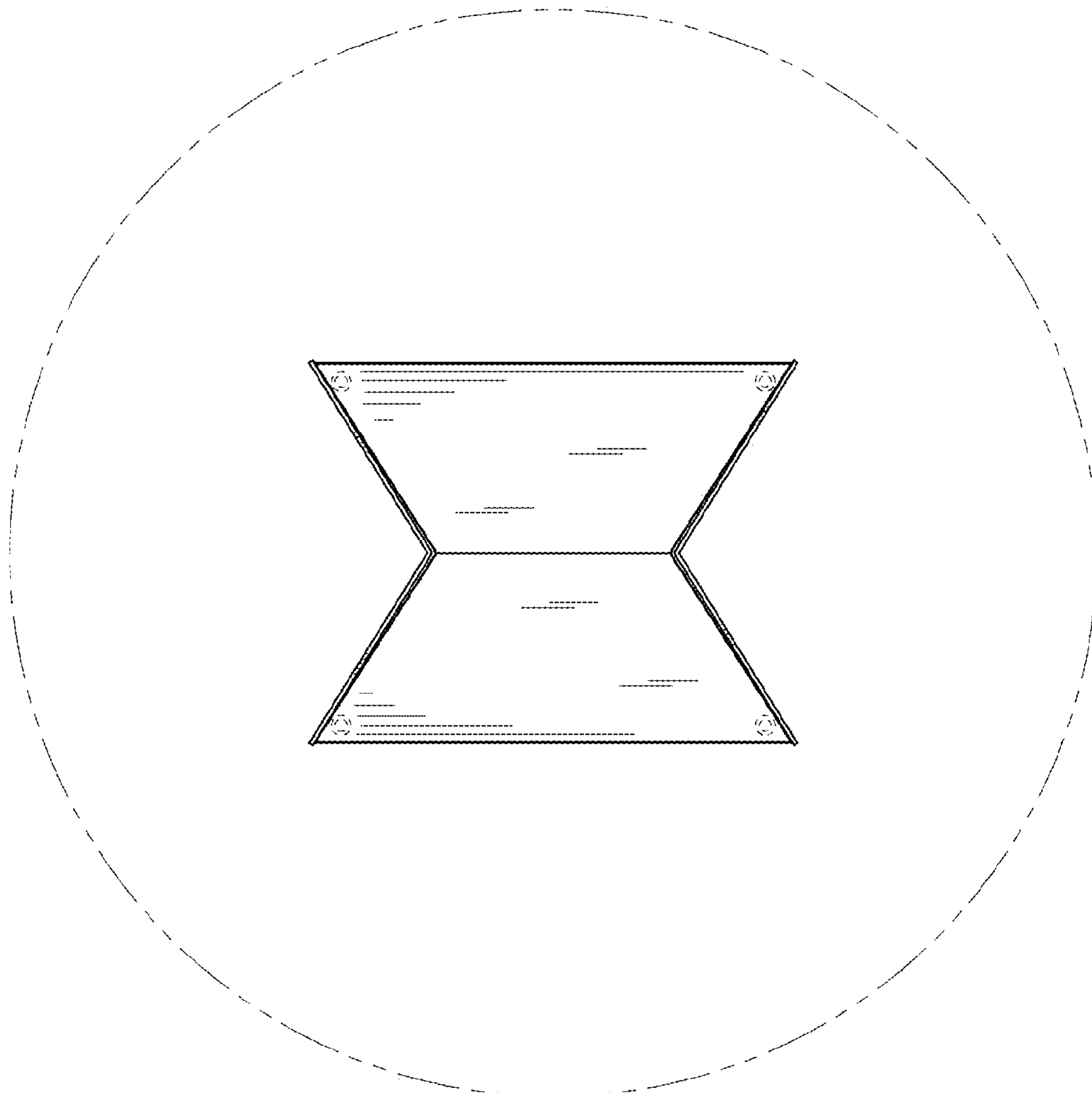


FIG. 5