



US00D901954S

(12) **United States Design Patent**
Clegg et al.

(10) **Patent No.:** **US D901,954 S**
(45) **Date of Patent:** **** Nov. 17, 2020**

- (54) **TABLETOP WITH HANDLE**
- (71) Applicant: **LIFETIME PRODUCTS, INC.**,
Clearfield, UT (US)
- (72) Inventors: **Frank Clegg**, Fruit Heights, UT (US);
Jay Calkin, Layton, UT (US)
- (73) Assignee: **LifeTime Products, Inc.**, Clearfield,
UT (US)

3,368,504 A * 2/1968 Cohen A47B 3/087
108/131
6,000,345 A * 12/1999 Gillotti A47B 3/087
108/132
6,334,400 B1 * 1/2002 Nien A47B 3/087
108/115
7,059,254 B2 * 6/2006 Strong A47B 3/02
108/118
D575,083 S * 8/2008 Lin D6/691.6
(Continued)

(**) Term: **15 Years**

(21) Appl. No.: **29/643,681**

(22) Filed: **Apr. 10, 2018**

Related U.S. Application Data

(63) Continuation-in-part of application No. 29/643,522,
filed on Apr. 9, 2018.

(51) **LOC (12) Cl.** **06-06**

(52) **U.S. Cl.**
USPC **D6/686**

(58) **Field of Classification Search**
USPC ... D6/685, 686, 691, 691.1-691.9, 702, 703,
D6/707, 707.24

CPC A47B 3/00; A47B 3/087; A47B 3/0911;
A47B 7/00; A47B 13/00; A47B 13/083;
A47B 13/02; A47B 13/04; A47B 13/06;
A47B 13/08; A47B 13/10; A47B 21/00;
A47B 2200/0001; A47B 2200/0011;
A47B 2200/0012; A47B 2200/002; A47B
2200/0035; A47B 2200/005

See application file for complete search history.

(56) **References Cited**

U.S. PATENT DOCUMENTS

2,223,193 A * 11/1940 Tafel A47B 3/00
108/15
2,871,076 A * 1/1959 Mell A47B 3/087
108/36

OTHER PUBLICATIONS

U.S. Appl. No. 29/643,522, filed Apr. 9, 2018, Clegg, et al.
(Continued)

Primary Examiner — Mary Ann Calabrese
(74) *Attorney, Agent, or Firm* — Maschoff Brennan

(57) **CLAIM**

The ornamental design for a tabletop with handle, as shown
and described.

DESCRIPTION

The patent or application file contains at least one drawing
executed in color. Copies of this patent or patent application
with color drawings will be provided by the Office upon and
request and payment of the necessary fee.

FIG. 1 is a perspective view of a first embodiment of a
tabletop with handle showing my new design;

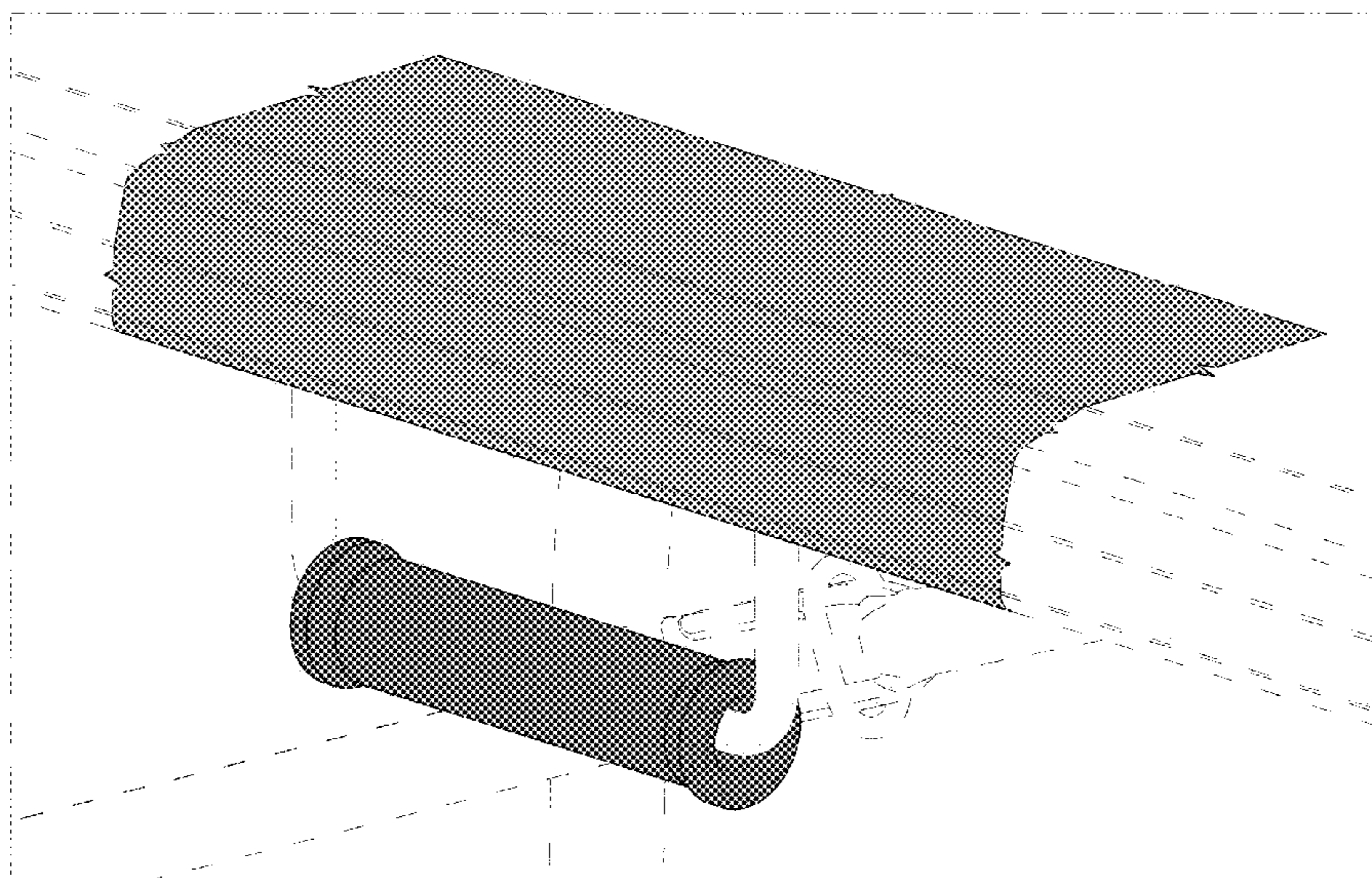
FIG. 2 is an enlarged detailed perspective view taken from
the boxed area 2 shown in FIG. 1;

FIG. 3 is a perspective view of a second embodiment of a
tabletop with handle showing my new design; and,

FIG. 4 is an enlarged detailed perspective view taken from
the boxed area 4 shown in FIG. 3.

The broken lines illustrate portions of the tabletop with
handle that form no part of the claimed design.

1 Claim, 4 Drawing Sheets
(4 of 4 Drawing Sheet(s) Filed in Color)



(56)

References Cited

U.S. PATENT DOCUMENTS

7,461,601 B2 * 12/2008 Jin A47B 3/087
108/132
7,849,789 B1 * 12/2010 Whelan A47J 47/005
108/116
8,191,881 B1 * 6/2012 Iyewarun A47B 3/08
108/127
8,534,205 B1 * 9/2013 Johnson A47B 13/08
108/132
8,677,912 B1 * 3/2014 Tsai F16C 11/10
108/132
10,582,766 B2 * 3/2020 Leng A47B 3/0809
2002/0092445 A1 * 7/2002 Glover A47B 3/087
108/129
2005/0052058 A1 * 3/2005 Nyo A47B 3/0911
297/159.1
2012/0266790 A1 * 10/2012 Peery A47B 3/0912
108/91
2018/0279768 A1 * 10/2018 Leng A47B 3/087

OTHER PUBLICATIONS

Office Action dated Dec. 18, 2019 for U.S. Appl. no. 29/643,522,
filed Apr. 9, 2019, Titled: Portion of Plastic Structure With a Handle.

* cited by examiner

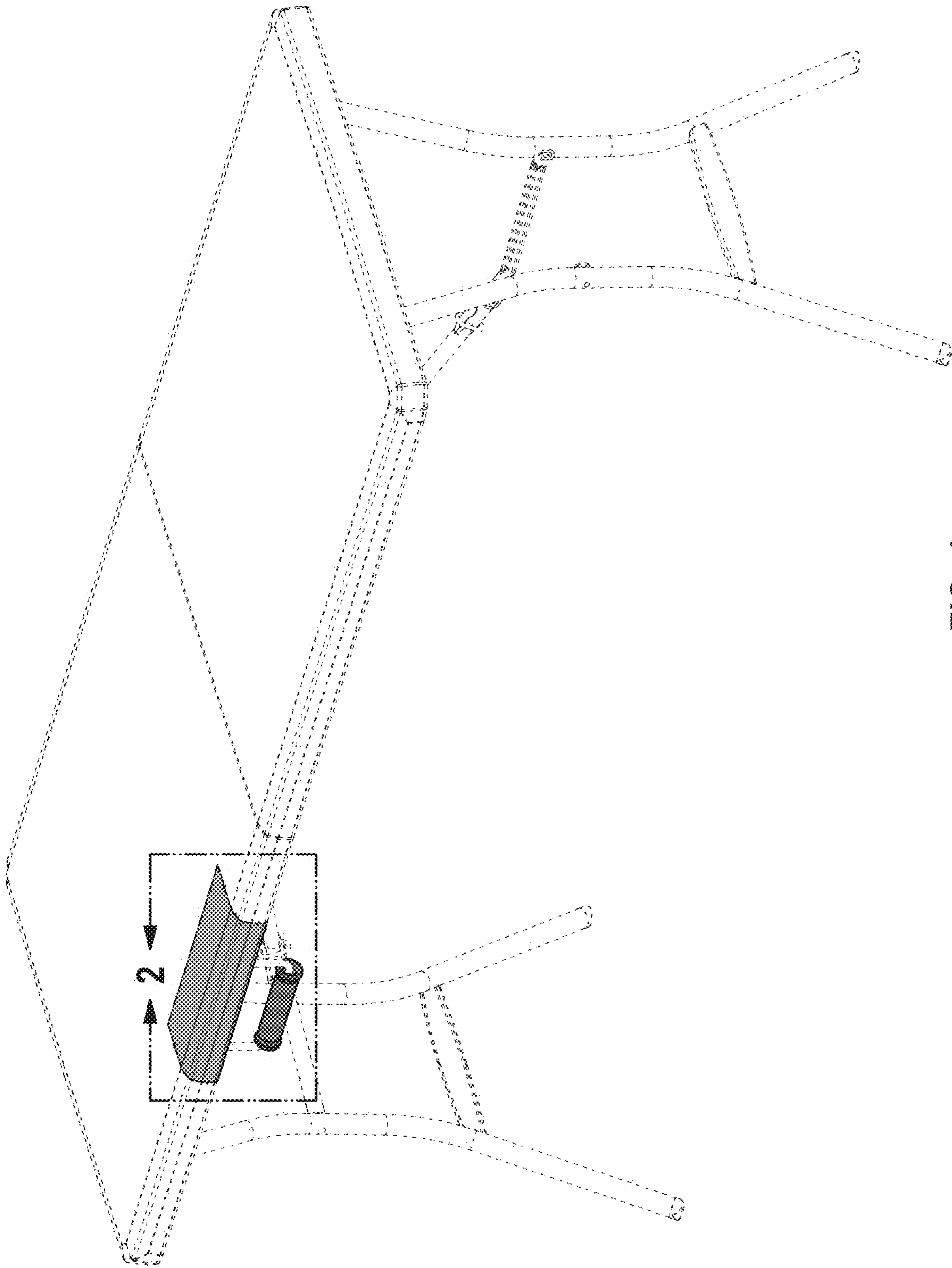


FIG. 1

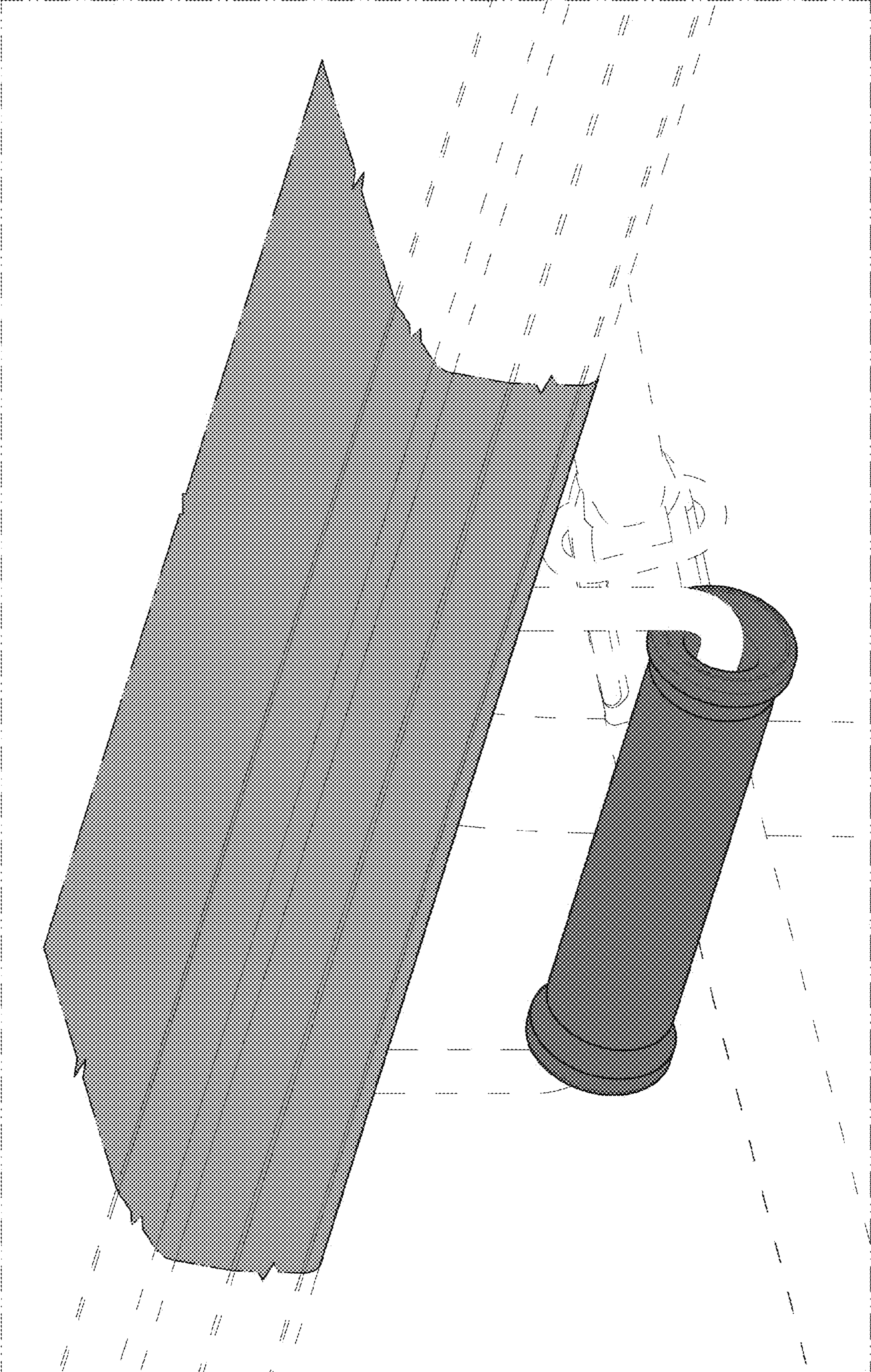
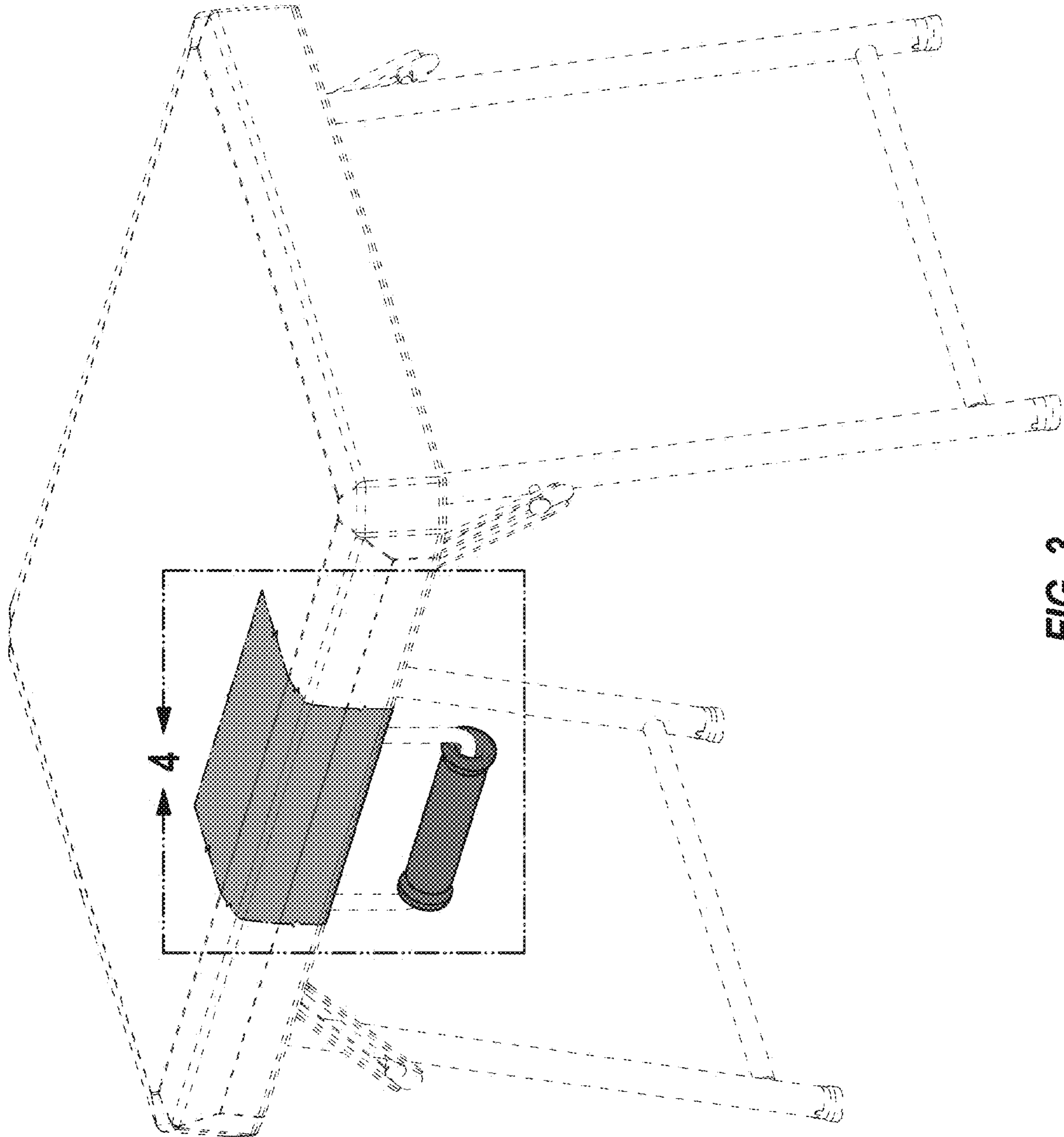


FIG. 2



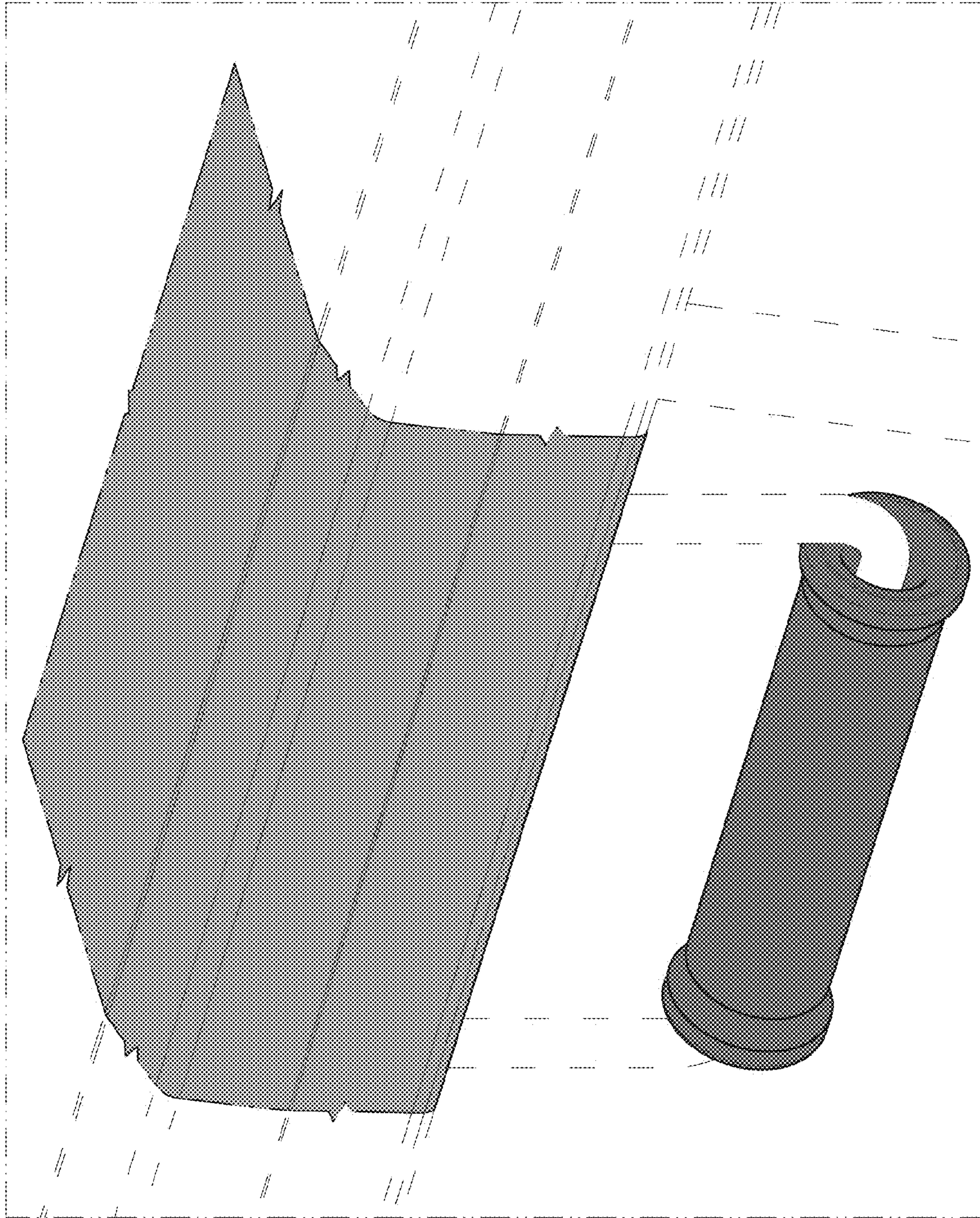


FIG. 4