



US00D901951S

(12) **United States Design Patent** (10) **Patent No.:** **US D901,951 S**
Chapuis et al. (45) **Date of Patent:** **** Nov. 17, 2020**

- (54) **PORTION OF A RETAIL DISPLAY**
- (71) Applicant: **June20, Inc.**, Hayward, CA (US)
- (72) Inventors: **Paul Chapuis**, Woodside, CA (US);
Steven D. Penny, Oakland, CA (US)
- (73) Assignee: **Converge Retail, Inc.**, Hayward, CA (US)
- (**) Term: **15 Years**
- (21) Appl. No.: **29/641,209**
- (22) Filed: **Mar. 20, 2018**

- D292,839 S 11/1987 Brogdon
 - D293,986 S 2/1988 Raufeisen
 - D304,133 S 10/1989 Casselman
 - D318,200 S 7/1991 Opp et al.
 - D320,607 S * 10/1991 Smith D15/126
- (Continued)

FOREIGN PATENT DOCUMENTS

- CN 102334864 A 2/2012
 - CN 103653987 A 3/2014
- (Continued)

OTHER PUBLICATIONS

Notice of Allowance dated Apr. 10, 2019, U.S. Appl. No. 29/641,252, filed Mar. 20, 2018.

(Continued)

Primary Examiner — Kelley A Donnelly
(74) *Attorney, Agent, or Firm* — Vierra Magen Marcus LLP

Related U.S. Application Data

- (62) Division of application No. 29/639,664, filed on Mar. 7, 2018, now Pat. No. Des. 834,356.
- (51) **LOC (12) Cl.** **06-06**
- (52) **U.S. Cl.**
USPC **D6/678**
- (58) **Field of Classification Search**
USPC D6/675, 675.1, 675.4; D7/589, 590, 601, D7/602
CPC A47F 5/00; A47F 5/0018; A47F 5/0043; A47F 7/0007; A47F 7/0014; B65D 21/0235; B65G 1/00; A47B 53/00; A47B 53/02
See application file for complete search history.

(57) **CLAIM**

The ornamental design of a portion of a retail display, as shown and described.

DESCRIPTION

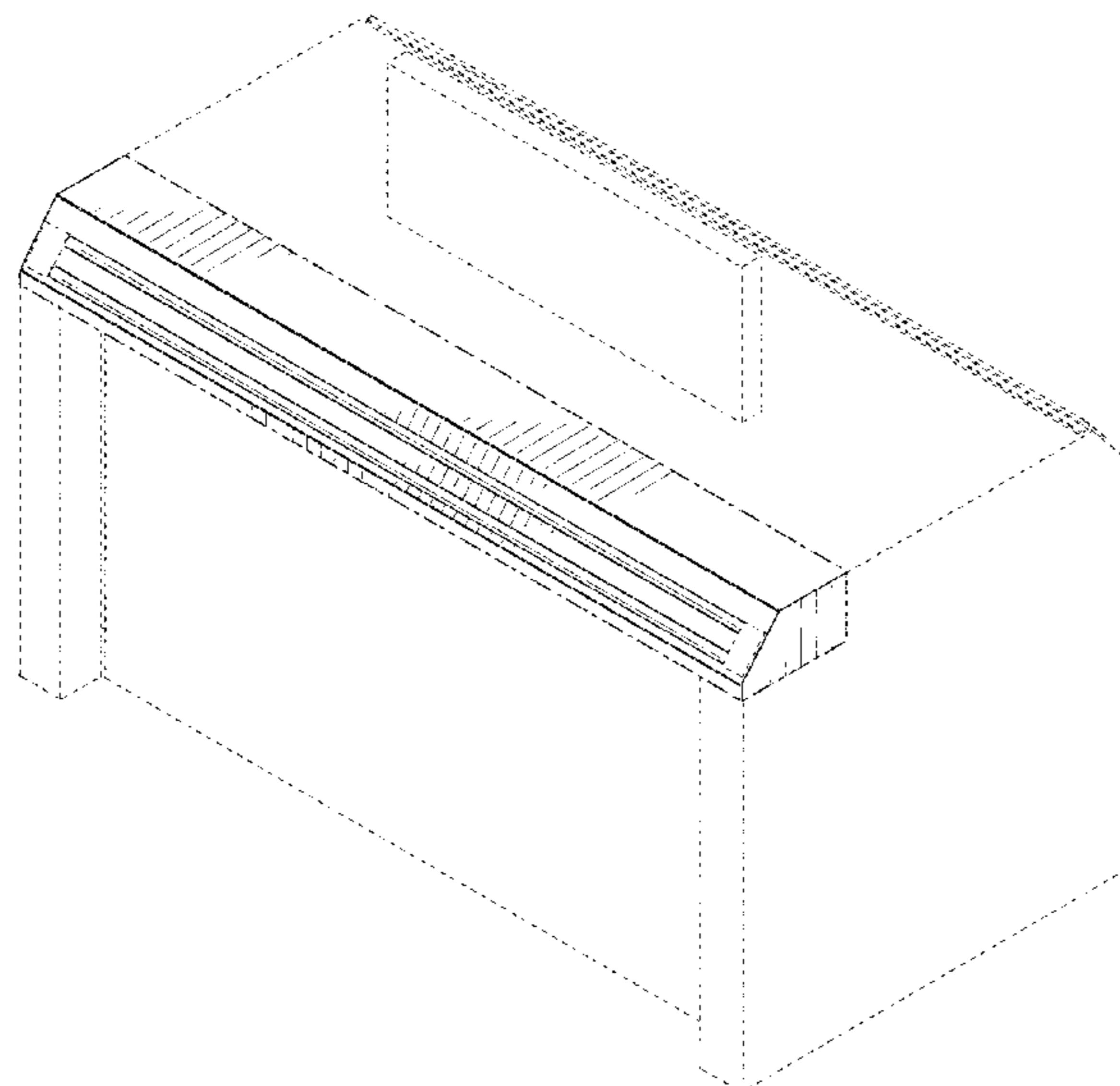
FIG. 1 is a front perspective view of a portion of a retail display.
FIG. 2 is a front elevation view of the portion of the retail display.
FIG. 3 is a right elevation view of the portion of the retail display. A left elevation view of the produce display is a mirror image of FIG. 3; and,
FIG. 4 is a top view of the portion of the retail display.
In the drawings, the dot-dash broken lines represent the boundary between claimed and unclaimed subject matter.
In the drawings, the dash-dash broken lines represent unclaimed subject matter.

(56) **References Cited**

U.S. PATENT DOCUMENTS

- D110,571 S 7/1938 McCoy et al.
- D113,142 S * 1/1939 Kamenstein D7/609
- 3,025,829 A * 3/1962 Smith A47K 10/32 118/221
- 3,034,254 A 5/1962 Godtfred
- D220,766 S 5/1971 Miller et al.
- D243,891 S 4/1977 Snyder
- D284,337 S * 6/1986 Papich D6/642

1 Claim, 4 Drawing Sheets



(56)

References Cited

U.S. PATENT DOCUMENTS

D326,197 S 5/1992 Heiligenthal et al.
 D343,715 S 1/1994 DeGrazia et al.
 5,304,434 A * 4/1994 Stone H01M 2/1077
 429/99
 D357,603 S 4/1995 Wolff
 D367,195 S * 2/1996 Whittington D6/702
 D379,470 S 5/1997 Gilbert
 D394,386 S 5/1998 Fischer
 D403,832 S 1/1999 Gerke
 D410,352 S 6/1999 Fore
 D411,889 S 7/1999 Risi
 D414,624 S 10/1999 Ganz
 D415,368 S 10/1999 Ganz
 D419,795 S 2/2000 Ganz
 D425,440 S 5/2000 Franklin
 D451,305 S 12/2001 Chang et al.
 D463,181 S 9/2002 Patik
 D463,696 S 10/2002 Patik
 D469,272 S 1/2003 Werner
 D471,693 S 3/2003 Wolff
 6,623,206 B1 9/2003 Blair et al.
 D481,767 S 11/2003 May et al.
 6,712,433 B2 3/2004 Hellwig et al.
 D497,399 S 10/2004 May et al.
 D499,773 S 12/2004 May et al.
 6,837,130 B2 1/2005 Turner et al.
 D508,176 S * 8/2005 Schulman D6/702
 D516,734 S 3/2006 Keys et al.
 D534,011 S 12/2006 Stevens
 D539,436 S 3/2007 Magliocco et al.
 D548,367 S 8/2007 Price
 D553,531 S 10/2007 Enersen
 D584,529 S 1/2009 Neff et al.
 D584,902 S 1/2009 Neff et al.
 D590,325 S * 4/2009 Hall D12/218
 D591,083 S 4/2009 Singler et al.
 D591,979 S 5/2009 Singler et al.
 7,701,339 B2 4/2010 Irmscher et al.
 D635,468 S 4/2011 Buitrago
 D635,469 S 4/2011 Buitrago
 D642,824 S 8/2011 Theisen et al.
 D643,234 S 8/2011 Daino
 D645,282 S 9/2011 Daino
 D661,866 S 6/2012 Asakura
 D665,513 S 8/2012 Engel
 8,401,915 B1 3/2013 Kim
 D680,176 S 4/2013 Chin
 D685,978 S 7/2013 Jani et al.
 D688,439 S 8/2013 Jani et al.
 8,733,063 B2 5/2014 Song et al.
 8,752,718 B2 6/2014 Stukenberg et al.
 D713,658 S 9/2014 Tio et al.
 D727,666 S 4/2015 Wagemans et al.
 D732,318 S 6/2015 Engebretson
 D732,853 S 6/2015 Engebretson
 D732,854 S 6/2015 Engebretson
 D734,965 S 7/2015 Tio et al.
 D736,020 S 8/2015 Martell et al.
 D740,595 S 10/2015 Kim et al.
 D741,091 S 10/2015 Tio et al.
 D741,094 S 10/2015 Martell et al.
 D744,770 S 12/2015 Middendorf et al.
 D756,062 S 5/2016 Fernandez et al.
 D758,773 S 6/2016 Kim et al.
 9,395,037 B2 7/2016 Ballhatchet
 D769,651 S 10/2016 Tio et al.
 D770,203 S 11/2016 Thaler et al.
 D779,200 S * 2/2017 Caglar D3/273
 D785,994 S 5/2017 Brown et al.
 D787,239 S 5/2017 Denby et al.
 D790,261 S 6/2017 Rogers
 9,687,090 B2 6/2017 Ireland et al.
 D790,884 S 7/2017 Schonherr et al.

D796,234 S 9/2017 Thaler et al.
 D806,447 S 1/2018 Burton et al.
 D806,448 S 1/2018 Burton et al.
 D807,086 S 1/2018 Tio et al.
 D812,946 S 3/2018 Chang et al.
 D815,864 S 4/2018 Burton et al.
 D823,030 S 7/2018 Theisen et al.
 D832,365 S 10/2018 Williams et al.
 D833,541 S 11/2018 Barwald et al.
 D834,356 S * 11/2018 Chapuis D6/672
 D835,084 S 12/2018 Cha et al.
 D842,627 S 3/2019 Siminoff et al.
 D842,628 S 3/2019 Siminoff et al.
 D842,632 S 3/2019 Fenimore et al.
 D846,156 S 4/2019 von Langsdorff
 D858,651 S 9/2019 Barwald et al.
 D864,626 S * 10/2019 Chapuis D6/675
 D865,413 S 11/2019 Chapuis et al.
 D866,226 S 11/2019 Burton et al.
 D867,037 S 11/2019 Brugger et al.
 2009/0109130 A1 4/2009 Murphy et al.
 2011/0187531 A1 8/2011 Oehl et al.
 2012/0005222 A1 1/2012 Bhagwan et al.
 2012/0232937 A1 9/2012 Calman et al.
 2013/0117153 A1 5/2013 Shen
 2014/0310056 A1 10/2014 Alapati et al.
 2015/0173528 A1 6/2015 Hester-Redmond
 2015/0371321 A1 12/2015 Chapuis
 2018/0365642 A1 12/2018 Bonner et al.

FOREIGN PATENT DOCUMENTS

CN 204599980 U 9/2015
 CN 304176357 S 6/2017
 FR 992836-004 8/1999
 JP 2005204815 A 8/2005
 KR 10-20130023520 A 3/2013
 RO 016582-0001 3/2006
 RU 59706 7/2006
 WO D082444-002 4/2014

OTHER PUBLICATIONS

Design U.S. Appl. No. 29/647,762, filed May 15, 2018.
 Design U.S. Appl. No. 29/647,768, filed May 15, 2018.
 Office Action dated May 23, 2018 in U.S. Appl. No. 29/639,664, filed Mar. 7, 2018.
 Non-final Office Action dated Feb. 3, 2020, Design U.S. Appl. No. 29/647,762, filed May 15, 2018.
 Notice of Allowance dated Feb. 3, 2020, Design U.S. Appl. No. 29/641,234, filed Mar. 20, 2018.
 Non-final Office Action dated Sep. 13, 2019, Design U.S. Appl. No. 29/647,762, filed May 15, 2018.
 Notice of Allowance dated Aug. 8, 2018, U.S. Appl. No. 29/647,768, filed May 15, 2018.
 Design U.S. Appl. No. 29/639,664, filed Mar. 7, 2018.
 Design U.S. Appl. No. 29/639,665, filed Mar. 7, 2018.
 Design U.S. Appl. No. 29/641,252, filed Mar. 20, 2018.
 Design U.S. Appl. No. 29/641,234, filed Mar. 20, 2018.
 Design U.S. Appl. No. 29/640,276, filed Mar. 13, 2018.
 Design U.S. Appl. No. 29/639,666, filed Mar. 7, 2018.
 Versa Products, Inc., "Versa Center", <https://www.versatables.com/education/versa-center/>, retrieved May 30, 2018.
 Gartner, "Sliding Monitors", <https://web.archive.org/web/20130607163354/http://www.michaelgartner.com/>, dated by web.archive.org at Jun. 7, 2013, pp. 1-5) Accessed Nov. 21, 2017 (Year: 2013).
 June20, Inc., Test Display at Sam's Club, May, 2016, Arkansas, US.
 June20, Inc., Test Display at Staples, Dec. 2015, Canada.
 Mike Quinn, LinkedIn.com page, image of post "LM76 Whipser Slide Technology" WSP2 retrieved from Feb. 2, 2018.

* cited by examiner

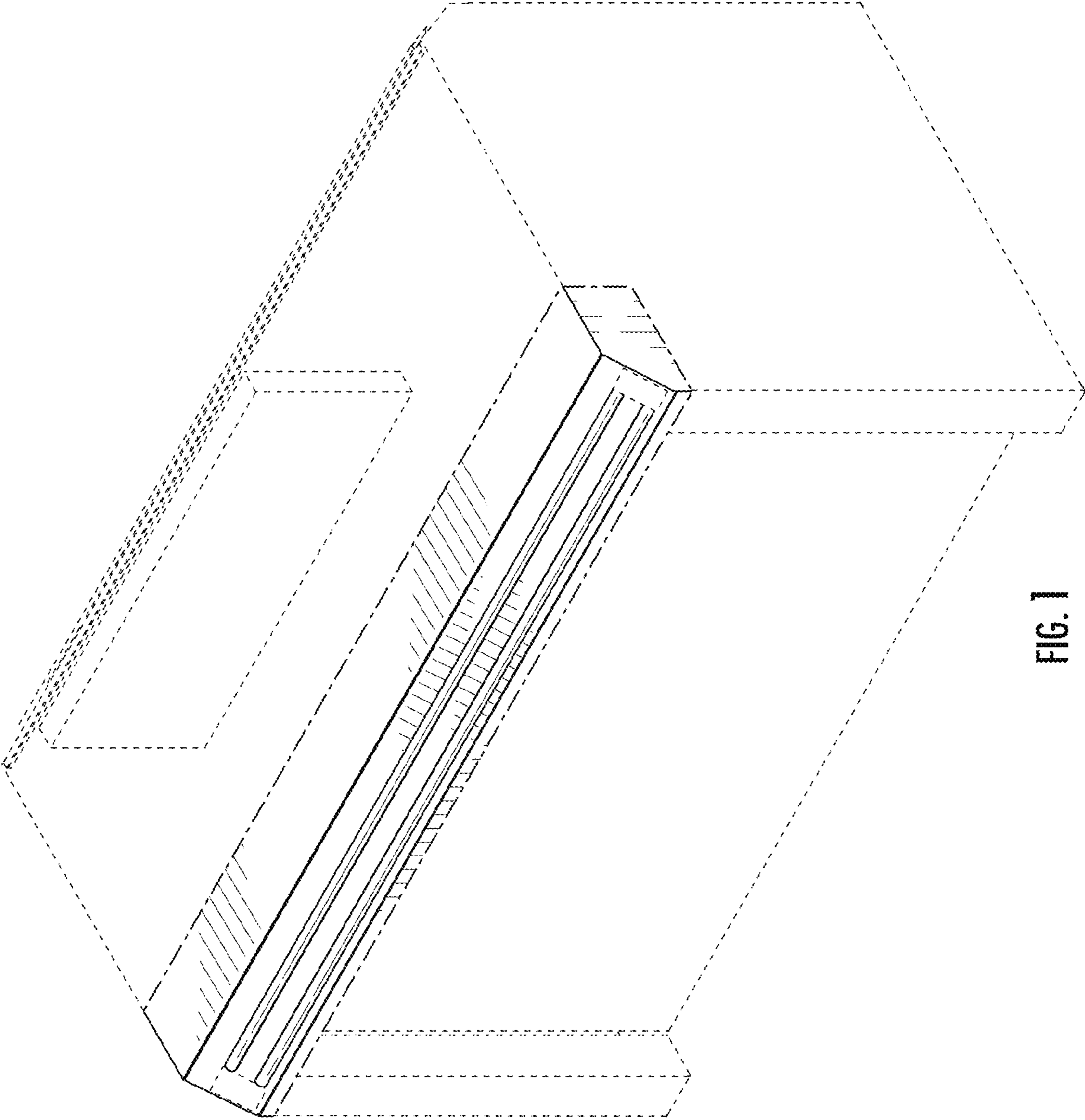


FIG. 1

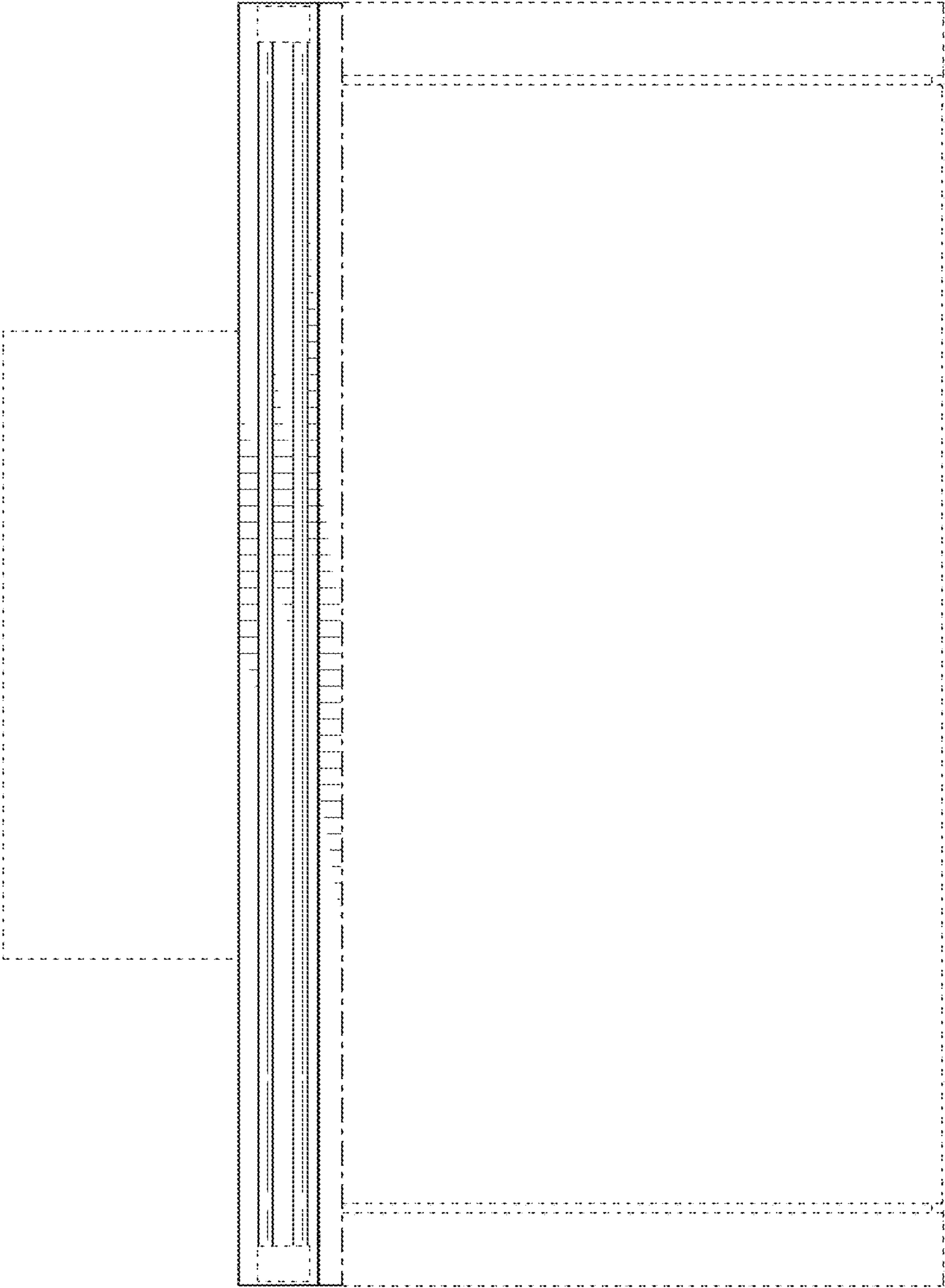


FIG. 2

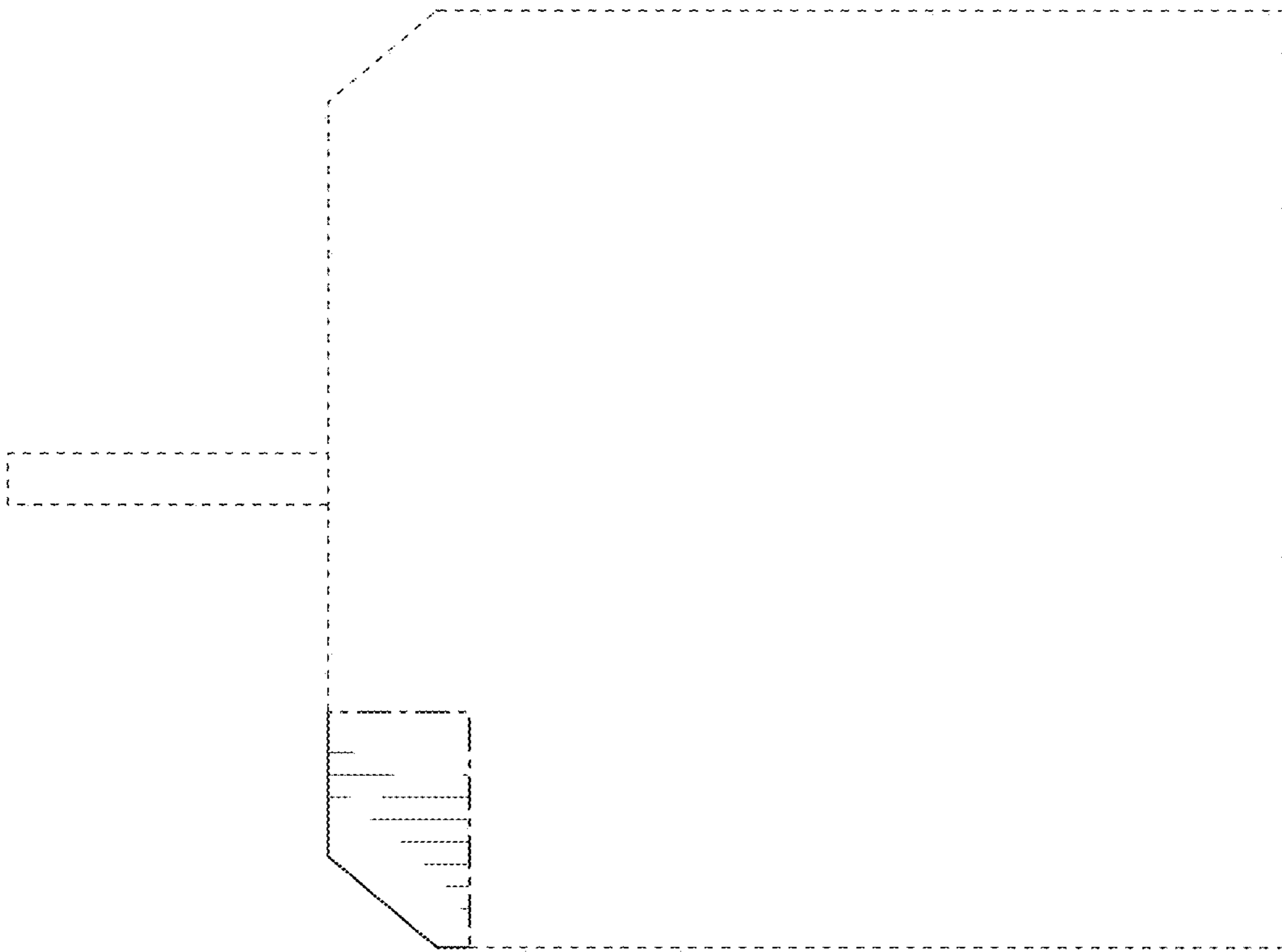


FIG. 3

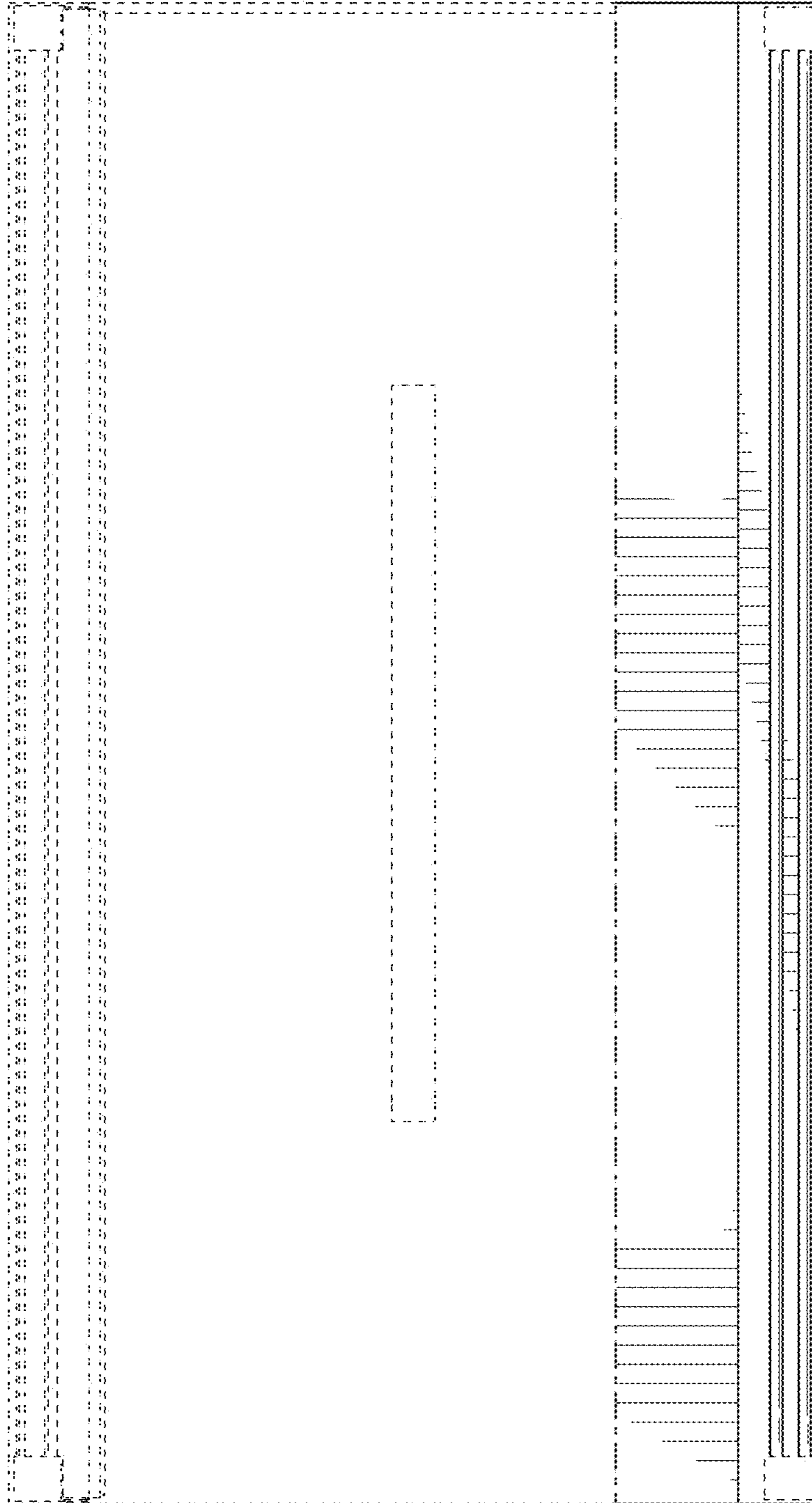


FIG. 4