



US00D901950S

(12) **United States Design Patent**
McBrien

(10) **Patent No.:** **US D901,950 S**

(45) **Date of Patent:** **** Nov. 17, 2020**

(54) **FIREARM MAGAZINE ORGANIZER**

(71) Applicant: **Thomas D. McBrien**, Livonia, MI (US)

(72) Inventor: **Thomas D. McBrien**, Livonia, MI (US)

(**) Term: **15 Years**

(21) Appl. No.: **29/679,943**

(22) Filed: **Feb. 12, 2019**

(51) **LOC (12) Cl.** **20-02**

(52) **U.S. Cl.**
USPC **D6/675.2**

(58) **Field of Classification Search**
USPC D6/552, 672, 675, 675.1, 675.2, 675.3,
D6/675.4, 675.5, 678.4, 683.1; D19/86,
D19/90; D22/103, 104; D32/56
CPC A47B 81/00; F41C 33/06; F42B 39/00;
F41A 23/18
See application file for complete search history.

(56) **References Cited**

U.S. PATENT DOCUMENTS

2,238,451	A *	4/1941	Roth	G11B 33/0433 211/40
D155,027	S *	8/1949	Nieboer	D6/678.4
2,740,530	A *	4/1956	Ponder	F41A 23/18 211/64
3,329,278	A *	7/1967	Pachmayr	F41A 23/18 211/64
D236,570	S *	9/1975	Dagarp	D6/407
D318,196	S *	7/1991	Sheng	D6/678.4
D334,493	S *	4/1993	Penar	D6/678.4
D367,382	S *	2/1996	Tseng	D32/59
5,676,241	A	10/1997	Degoix		
D399,701	S *	10/1998	Olivarez	D7/504
D434,248	S *	11/2000	Krogh	D6/310
6,427,851	B1	8/2002	Chang		
6,668,479	B1	12/2003	Obong		
D529,433	S *	10/2006	Kane	D12/408

D582,697	S *	12/2008	Goodman	D6/678.4
D587,051	S	2/2009	Vining		
9,383,179	B1	7/2016	Spilotro		
D791,901	S	7/2017	Swan		
D816,378	S	5/2018	Ernst		
2007/0024165	A1 *	2/2007	Moulton	F41A 23/18 312/291
2015/0129440	A1	5/2015	Abascal		

OTHER PUBLICATIONS

Pistol Rack, www.midwayusa.com [online]. Published on or before Aug. 13, 2020, [retrieved on Aug. 13, 2020]. Retrieved from the Internet: <URL:https://www.midwayusa.com/product/1019236036?pid=157271> (Year: 2020).*

* cited by examiner

Primary Examiner — Michael A. Pratt
Assistant Examiner — Adam C Mager

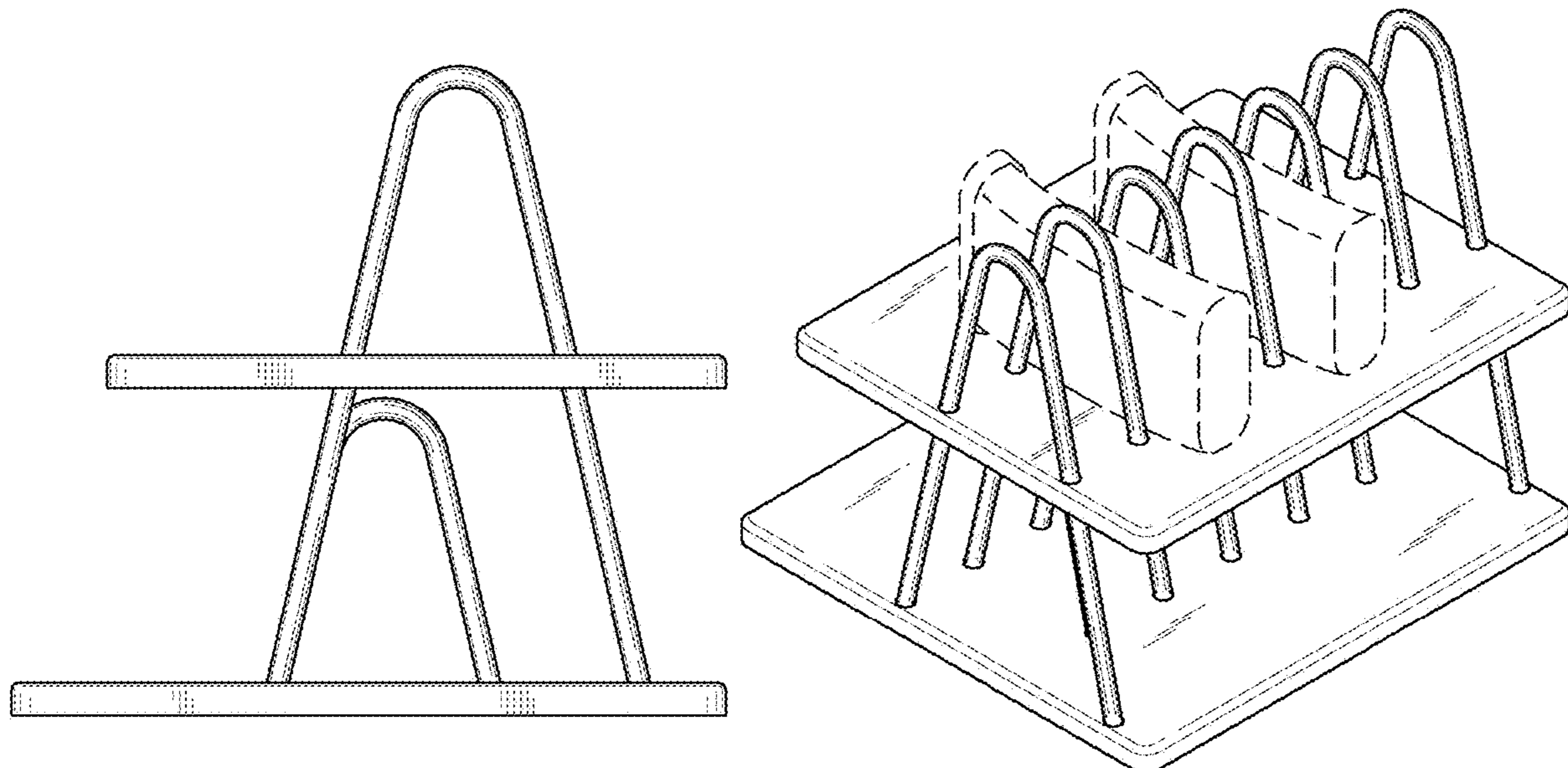
(57) **CLAIM**

I claim the ornamental design for a firearm magazine organizer, as shown and described.

DESCRIPTION

FIG. 1 is a right side view of the firearm magazine organizer. FIG. 2 is a left side view of the claimed design. FIG. 3 is a front view of the claimed design. FIG. 4 is a rear view of the claimed design. FIG. 5 is a top view of the claimed design. FIG. 6 is a bottom view of the claimed design. FIG. 7 is a perspective view of the claimed design; and, FIG. 8 is a cross-sectional view of the claimed design along line 8-8 in FIG. 5. The broken lines appearing in FIG. 7 of firearm magazines are environmental matter forming no part of the claimed design.

1 Claim, 8 Drawing Sheets



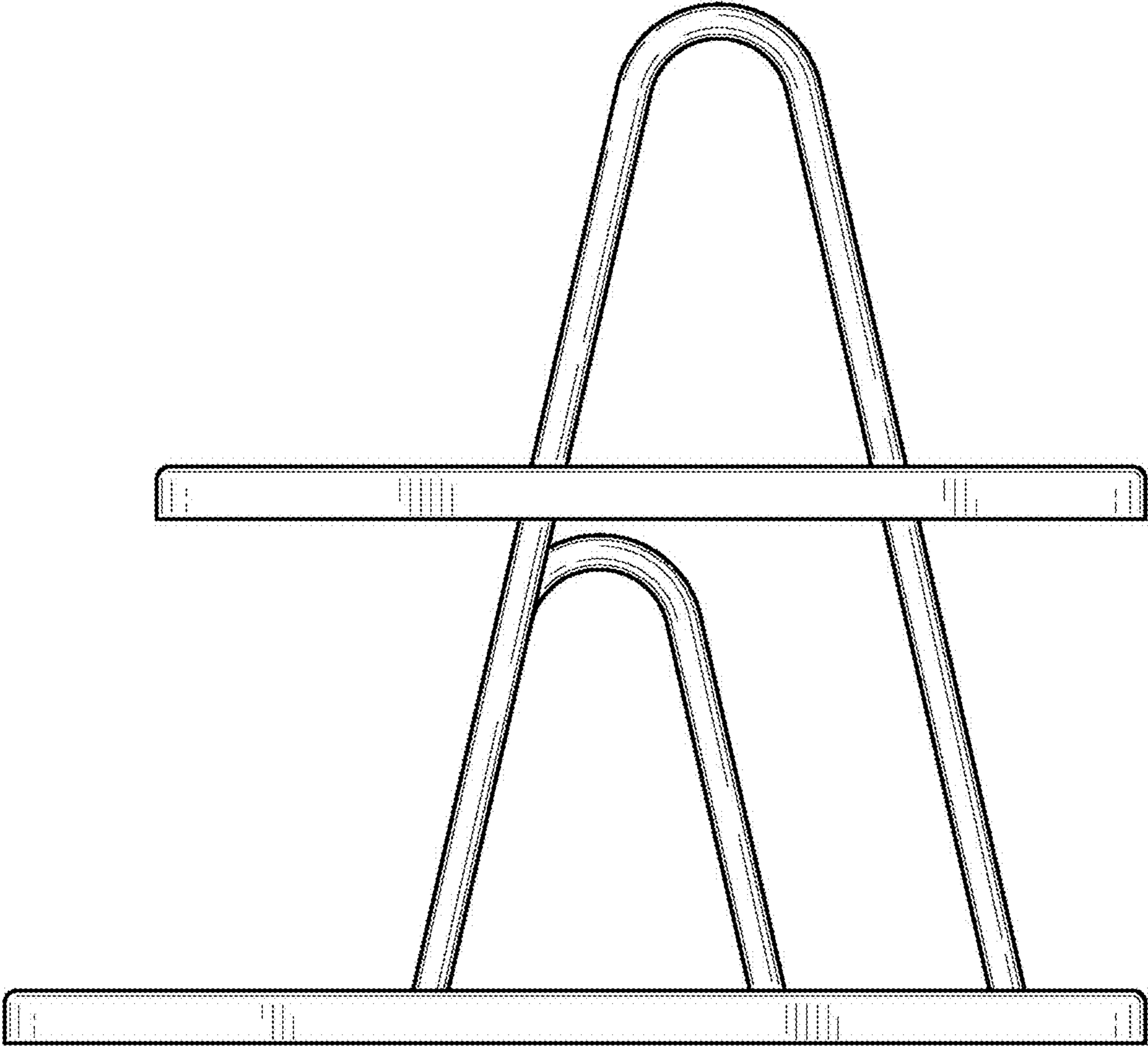


FIG. 1

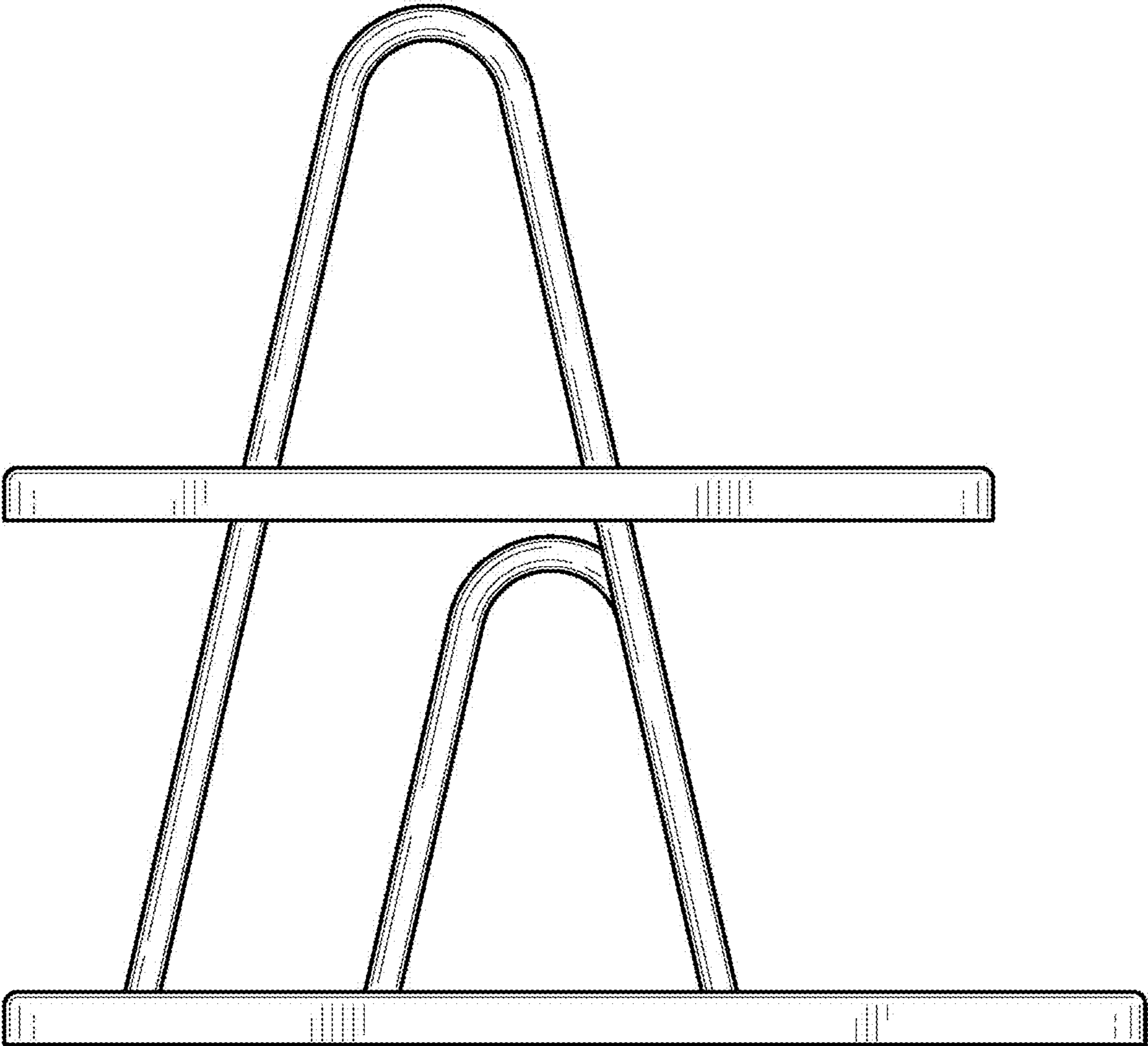


FIG. 2

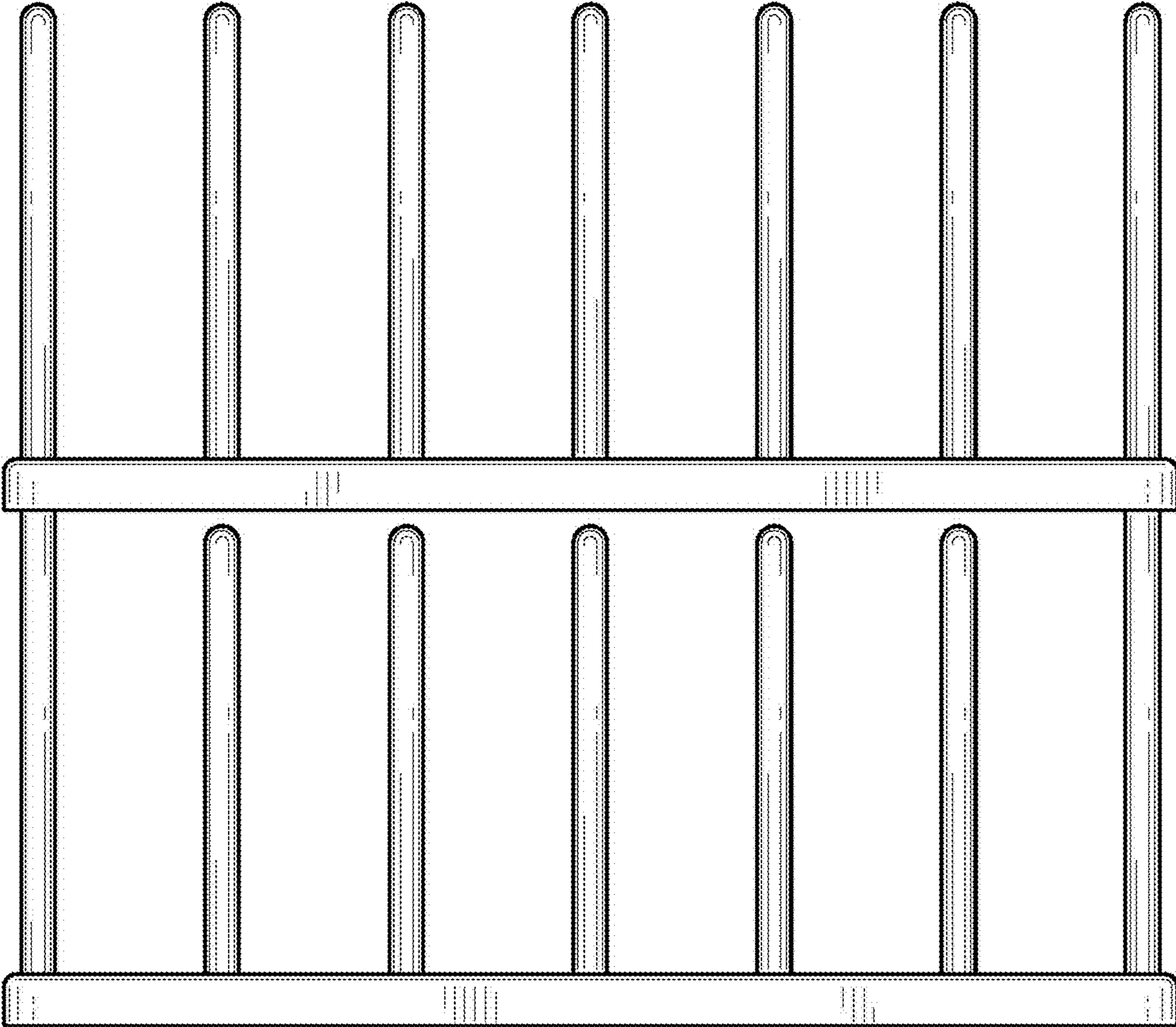


FIG. 3

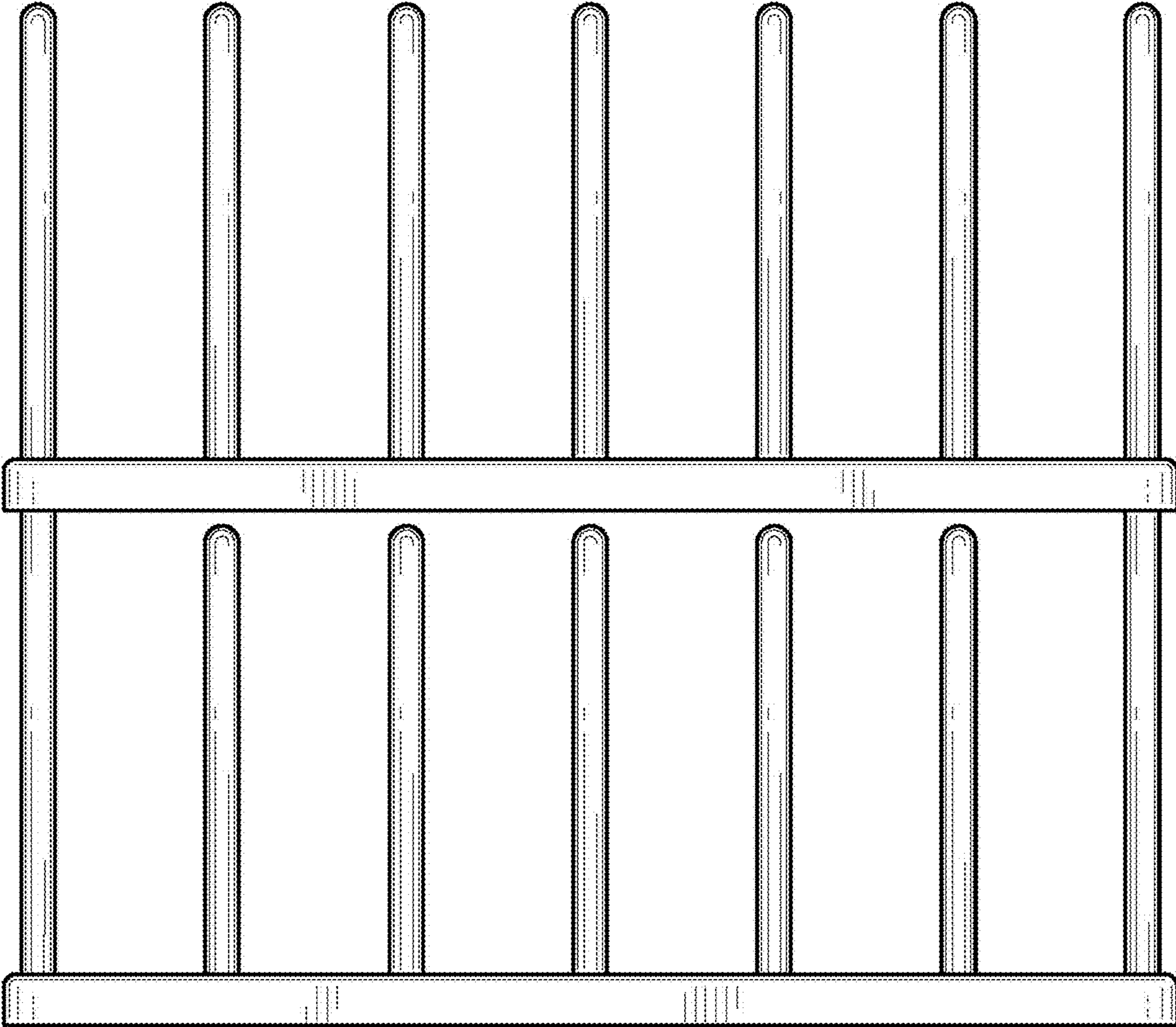


FIG. 4

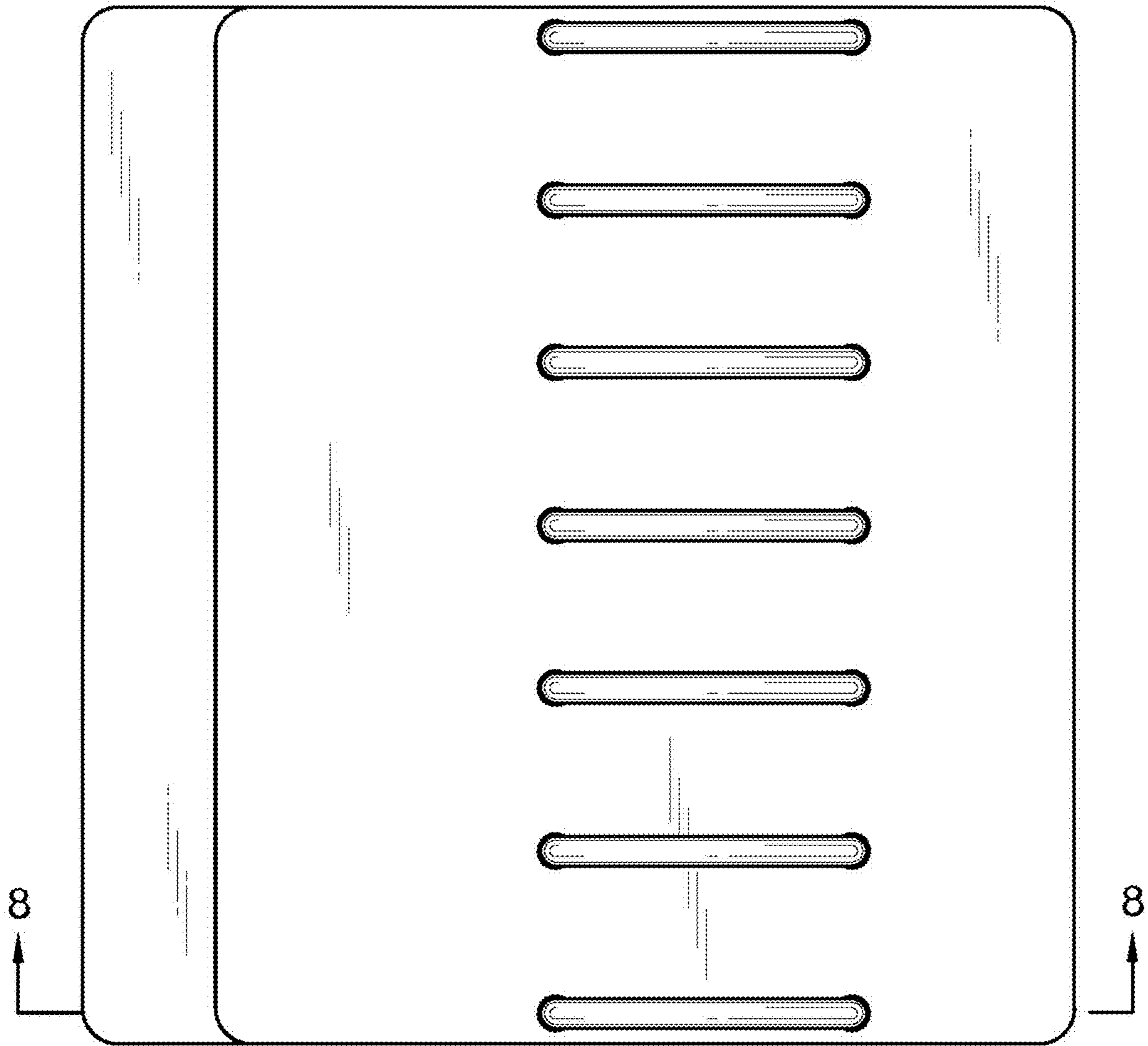


FIG. 5

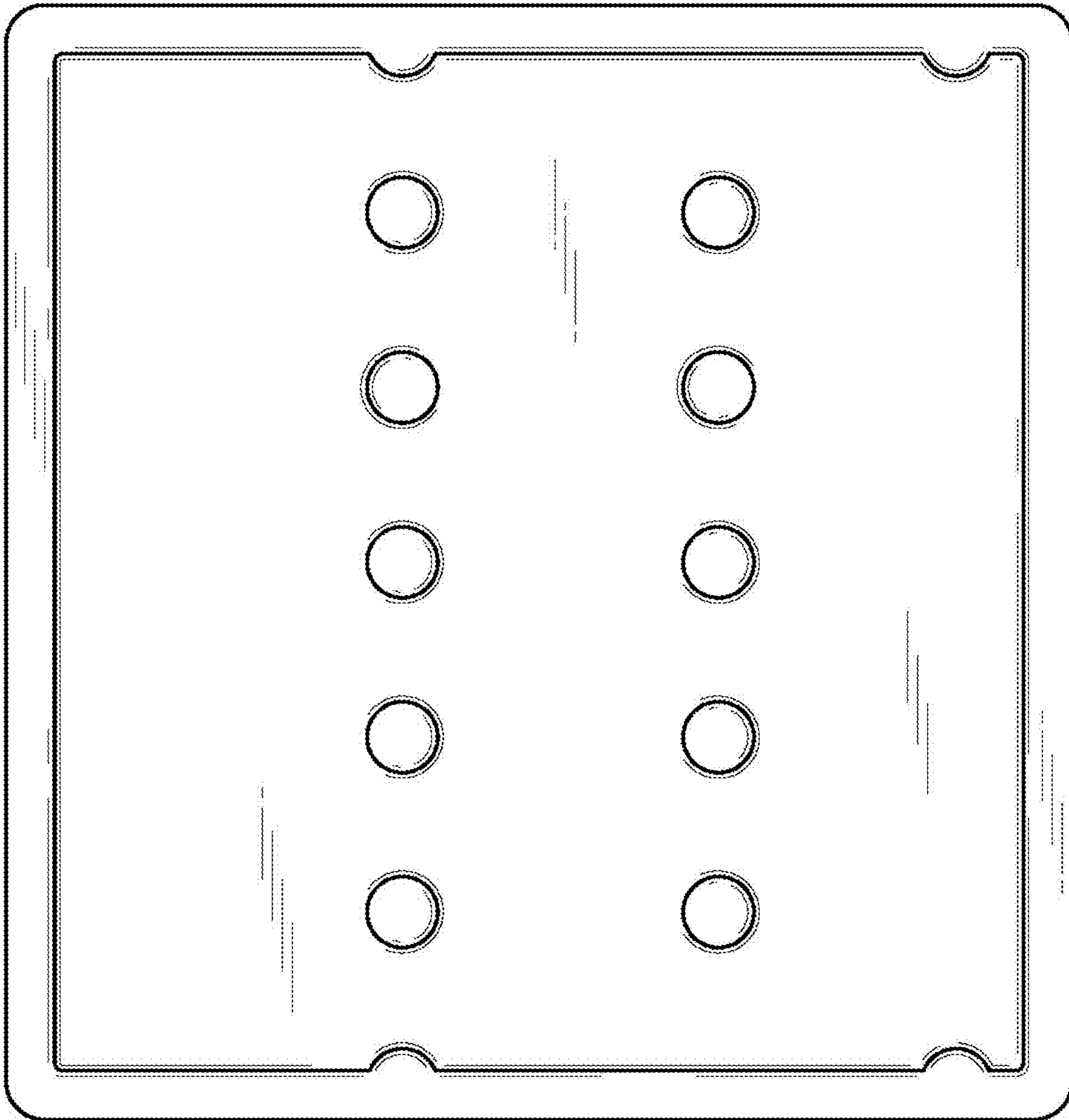
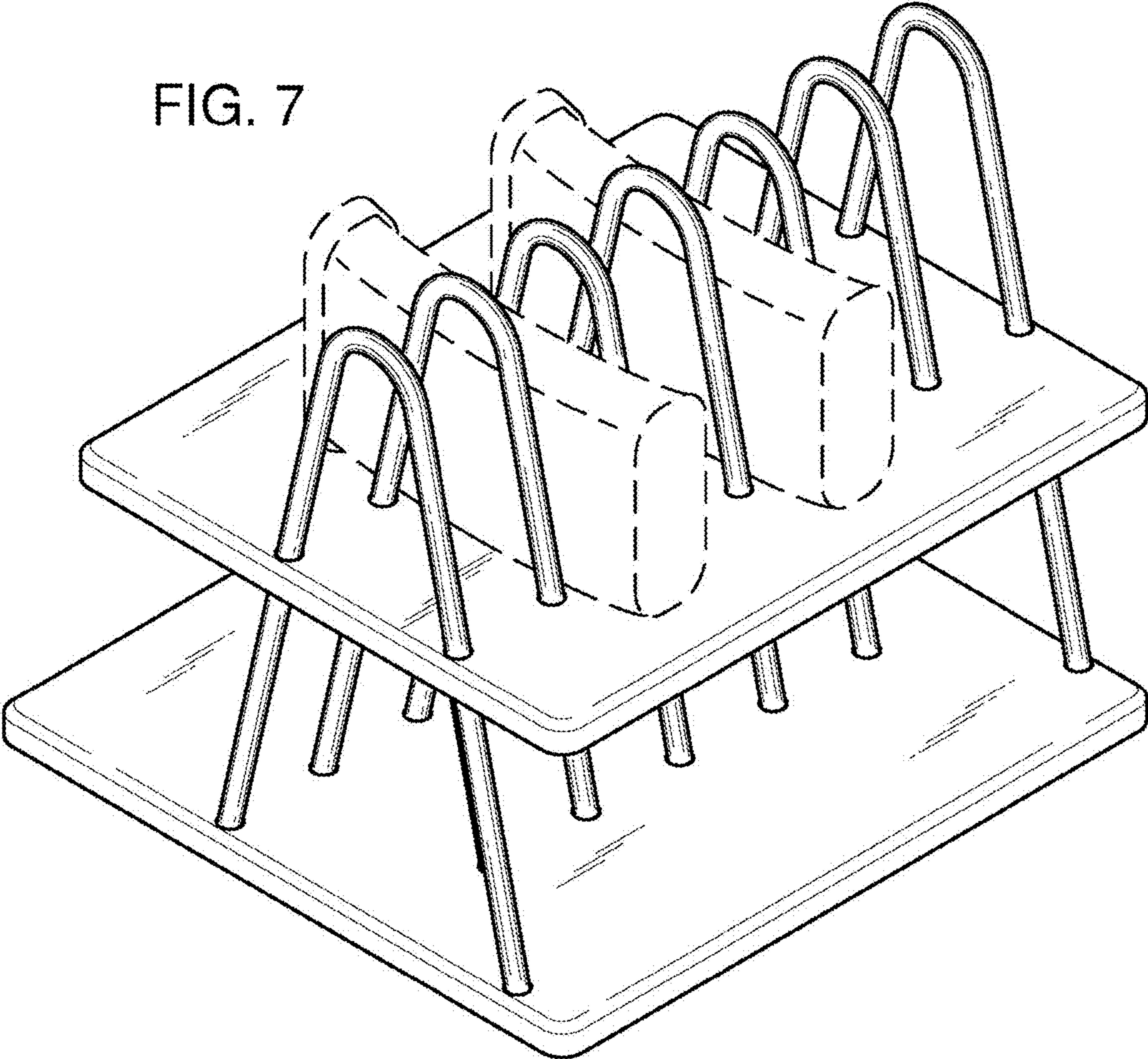


FIG. 6

FIG. 7



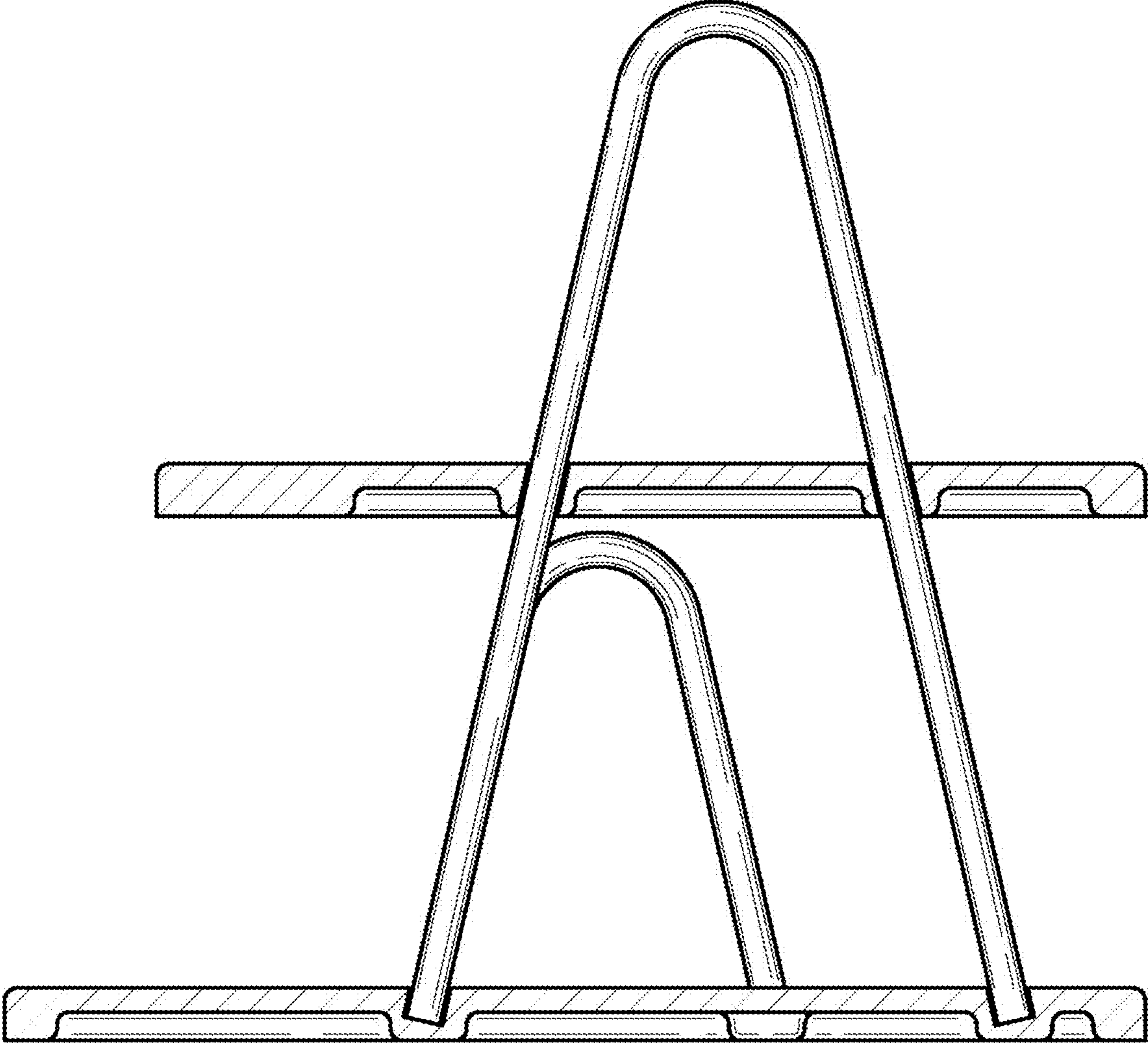


FIG. 8