



US00D901948S

(12) **United States Design Patent** (10) **Patent No.:** **US D901,948 S**
Burton et al. (45) **Date of Patent:** **** *Nov. 17, 2020**

(54) **DISPLAY STAND**

- (71) Applicant: **Sonos, Inc.**, Santa Barbara, CA (US)
- (72) Inventors: **Maximillian Burton**, Santa Barbara, CA (US); **Quinn Huffstetler**, Santa Barbara, CA (US); **Hoang M. Nguyen**, Santa Barbara, CA (US); **Anthony Sperduti**, Santa Barbara, CA (US)
- (73) Assignee: **Sonos, Inc.**, Santa Barbara, CA (US)
- (*) Notice: This patent is subject to a terminal disclaimer.
- (**) Term: **15 Years**
- (21) Appl. No.: **29/641,070**
- (22) Filed: **Mar. 19, 2018**

Related U.S. Application Data

- (63) Continuation of application No. 29/570,255, filed on Jul. 6, 2016, now Pat. No. Des. 815,864.
- (51) **LOC (12) Cl.** **06-06**
- (52) **U.S. Cl.**
USPC **D6/675**
- (58) **Field of Classification Search**
USPC ... D6/672, 673, 675, 675.1, 678, 678.1, 682
(Continued)

(56) **References Cited**

U.S. PATENT DOCUMENTS

D141,377 S 5/1945 Miller
3,100,460 A 8/1963 Mcelroy
(Continued)

FOREIGN PATENT DOCUMENTS

CN 303855412 S 9/2016
CN 305196837 S 6/2019
(Continued)

OTHER PUBLICATIONS

“Slatwall L Shaped Merchandiser with Drawers Maple”, <https://thefixturezone.com/slatwall-l-shaped-merchandiser-with-drawer-maple.html> (Year: 2019), 1 pg.
(Continued)

Primary Examiner — Kelley A Donnelly
(74) *Attorney, Agent, or Firm* — KPPB LLP

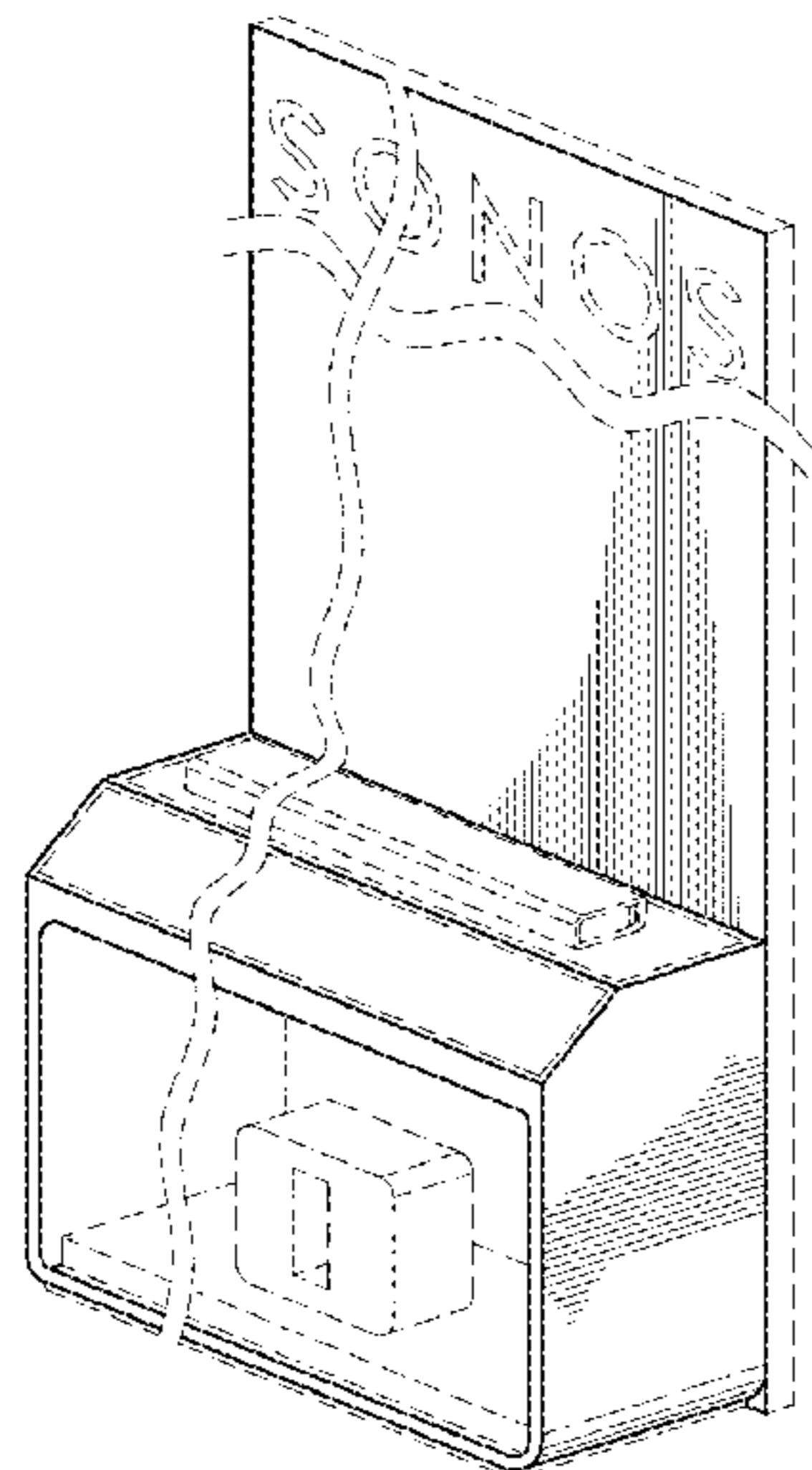
(57) **CLAIM**

The ornamental design for a display stand, as shown and described.

DESCRIPTION

FIG. 1 is an isometric view of a display stand in accordance with a first embodiment of the invention.
FIG. 2 is a front elevational view of the display stand in accordance with the first embodiment of the invention.
FIG. 3 is a rear elevational view of the display stand in accordance with the first embodiment of the invention.
FIG. 4 is a first side elevational view of the display stand in accordance with the first embodiment of the invention.
FIG. 5 is a second side elevational view of the display stand in accordance with the first embodiment of the invention.
FIG. 6 is an isometric view of a display stand in accordance with a second embodiment of the invention.
FIG. 7 is a front elevational view of the display stand in accordance with the second embodiment of the invention.
FIG. 8 is a rear elevational view of the display stand in accordance with the second embodiment of the invention.
FIG. 9 is a first side elevational view of the display stand in accordance with the second embodiment of the invention; and,
FIG. 10 is a second side elevational view of the display stand in accordance with the second embodiment of the invention. Any shading on the figures is provided only to distinguish between the flat and contoured portions of the display stands, such shading patterns are not intended to be viewed as part of the claimed display stands. Features shown in broken lines do not form part of the claimed design.

1 Claim, 6 Drawing Sheets



(58) **Field of Classification Search**
 CPC ... A47B 43/00; A47F 3/00; A47F 3/08; A47F
 5/0018; A47F 5/0043; A47F 5/10
 See application file for complete search history.

(56) **References Cited**

U.S. PATENT DOCUMENTS

D232,289 S 8/1974 Moretine
 D233,970 S 12/1974 Hodges
 4,110,946 A 9/1978 Louther, Jr.
 D258,256 S 2/1981 Brown
 4,429,932 A 2/1984 Brennan
 4,438,993 A 3/1984 Rabas
 D274,203 S 6/1984 Everett
 D274,205 S 6/1984 Kates
 D275,626 S 9/1984 Moore
 D286,115 S 10/1986 Evans
 D287,443 S 12/1986 Norling
 D290,204 S 6/1987 Bruget
 D300,887 S 5/1989 Evans
 D301,413 S 6/1989 Rosen
 D337,454 S 7/1993 Short
 D341,776 S 11/1993 Broyles
 5,265,729 A 11/1993 Carlin
 D352,850 S 11/1994 Fujii
 5,464,103 A 11/1995 O'Brien
 D365,706 S 1/1996 Campbell
 5,595,127 A 1/1997 Eustace et al.
 5,662,399 A 9/1997 Henkel et al.
 D393,963 S 5/1998 Mansour
 D396,581 S 8/1998 Schubert
 D426,401 S 6/2000 Conway, Jr.
 D464,498 S 10/2002 Riga et al.
 D491,744 S 6/2004 Harwanko
 D492,860 S 7/2004 Bertoncini
 D493,046 S 7/2004 Mcdiarmid
 D531,835 S 11/2006 Harwanko
 D568,632 S 5/2008 Suzuki
 7,374,047 B2 5/2008 Bryson et al.
 D583,588 S 12/2008 Maki
 D584,902 S 1/2009 Neff
 D589,536 S 3/2009 Seki
 D591,078 S 4/2009 Singler et al.
 D591,083 S 4/2009 Singler et al.
 D591,979 S 5/2009 Singler et al.
 D597,343 S 8/2009 Thakur
 D599,581 S 9/2009 Martinez
 D632,903 S 2/2011 Paul
 D637,421 S 5/2011 Theisen
 D637,422 S 5/2011 Theisen et al.
 D669,284 S 10/2012 Canavan et al.
 D675,846 S 2/2013 Monaldi et al.
 D679,521 S 4/2013 Hamm et al.
 D688,494 S 8/2013 Hamm et al.
 D693,156 S 11/2013 Hamm et al.
 D697,340 S 1/2014 Vardaro
 D708,459 S 7/2014 Heirakuji et al.
 D712,176 S 9/2014 Tamilarasan
 D713,658 S 9/2014 Tio et al.
 D722,459 S 2/2015 Schletter
 D725,947 S 4/2015 Tio et al.
 D727,666 S 4/2015 Wagemans et al.
 D729,560 S 5/2015 Hamm
 D730,665 S 6/2015 Murakami et al.
 D733,088 S 6/2015 Garneau et al.
 D734,067 S 7/2015 Vogt
 D734,965 S 7/2015 Tio et al.
 D740,594 S 10/2015 Trinh
 D741,091 S 10/2015 Tio et al.
 D741,626 S 10/2015 Tapias
 D744,770 S 12/2015 Middendorf
 D752,369 S 3/2016 Coleman et al.
 D754,993 S 5/2016 Nathan et al.
 D756,137 S 5/2016 Abelmann et al.
 D757,127 S 5/2016 Rautavuori
 D758,105 S 6/2016 Taraczky

D758,106 S 6/2016 Smeds
 D764,834 S 8/2016 Citterio
 D764,840 S 8/2016 Pinna et al.
 D766,626 S 9/2016 Peden et al.
 D769,651 S 10/2016 Tio et al.
 D774,805 S 12/2016 Thiele
 D777,477 S 1/2017 Germany
 D777,478 S 1/2017 Krauss
 D779,240 S 2/2017 Tio et al.
 D779,859 S 2/2017 Richardson et al.
 D781,622 S 3/2017 Horsky et al.
 D784,735 S 4/2017 Hirata
 D785,975 S 5/2017 Thaler et al.
 D785,994 S 5/2017 Brown et al.
 D790,260 S 6/2017 Tio et al.
 D806,447 S * 1/2018 Burton D6/657
 D806,448 S * 1/2018 Burton D6/657
 D807,086 S 1/2018 Tio et al.
 D815,864 S 4/2018 Maximillian et al.
 D821,116 S 6/2018 Hamm et al.
 D824,702 S 8/2018 Tio et al.
 D834,356 S 11/2018 Chapuis et al.
 D841,370 S 2/2019 Theisen et al.
 D842,627 S 3/2019 Siminoff et al.
 D842,628 S 3/2019 Siminoff et al.
 D843,139 S * 3/2019 Burton D6/672
 D844,349 S 4/2019 Burton et al.
 D866,226 S * 11/2019 Burton D6/672
 D866,227 S * 11/2019 Burton D6/672
 D877,546 S 3/2020 Spielmann et al.
 D878,114 S 3/2020 Xu et al.
 D881,746 S 4/2020 Ballestas
 2004/0104187 A1 6/2004 McCain
 2006/0118502 A1 6/2006 Polvere et al.
 2007/0125736 A1 6/2007 O'Reilly
 2015/0021286 A1 1/2015 Lo
 2015/0313359 A1 11/2015 Bennie et al.

FOREIGN PATENT DOCUMENTS

CN 305802882 S 5/2020
 EM 002971739-0001 2/2016
 EM 002971739-0002 2/2016
 EM 002971739-0003 2/2016

OTHER PUBLICATIONS

“Zagg InvisibleShield Kiosk at Barton Creek Square”, 2019, retrieved from <https://www.nbifixtures.com/kiosks/zagg-invisibleshield-kiosk-at-barton-creek-square/>, 4 pgs.
 Marques, “Apple instala novos displays promocionais em miniloja dentro do Walmart”, Apr. 15, 2012, retrieved from <https://macmagazine.uol.com.br/2012/04/15/%E2%86%AA-apple-instala-novos-displays-promocionais-em-miniloja-dentro-do-walmart/>, 5 pgs.
 “Best Buy End-Cap”, InReality Marshall, Sep. 20, 2015, Retrieved from <https://web.archive.org/web/20150920010622/http://www.inreality.com/work/project/marshall-best-buy-display> on Jan. 31, 2017, 2 pages.
 “ROBO 3D Introduces New Personal 3D Printers at Select Best Buy Locations”, Point of Purchase International Network, Dec. 1, 2015, <http://www.popin.net/robo-3d-introduces-new-personal-3d-printers-at-select-best-buy-locations/> on Jan. 31, 2017, 8 pages.
 Hollen, Jim, “Point of Purchase Design for HD Digital Audio System—One of Our All-Time Coolest POP Displays”, Rich Limited, Apr. 26, 2016, retrieved from <http://blog.richltd.com/blog/point-of-purchase-design-for-hd-digital-audio-system-one-of-our-all-time-coolest-pop-displays> on Oct. 26, 2017, 8 pages.
 Kready, Sean, “Chromebooks: best buy display: The (always) new computer”, goCHRoMEgle stuff, Jul. 23, 2012, Retrieved from <http://gochromeglestuff.blogspot.com/2012/07/chromebooks-best-buy-display-always-new.html> on Jan. 31, 2017, 5 pages.
 Mick, Jason, “Fitbit’s \$249 Surge Fitness Watch Packs 7-Day Battery Life, Two Other Models Also Air”, Daily Tech, Oct. 27, 2014, retrieved from <http://www.dailytech.com/Fitbits+249+Surge+>

(56)

References Cited

OTHER PUBLICATIONS

Fitness+Watch+Packs+7Day+Battery+Life+Two+Other+Models+Also+Air/article36782.htm on Oct. 26, 2017, 6 pages.

Mora, Sergio, "Samsung TV LCD Exhibition", Aug. 9, 2014, Retrieved from <http://www.coroflot.com/sergiomora/SAMSUNG-TV-LCD-EXHIBITION> on Jan. 31, 2017, 3 pages.

"New Dedicated Apple Product Displays Showing Up at Walmart", Apr. 16, 2012, retrieved from <https://www.macrumors.com/2012/04/16/new-dedicated-apple-product-displays-showing-up-at-walmart/>, 1 pg.

* cited by examiner

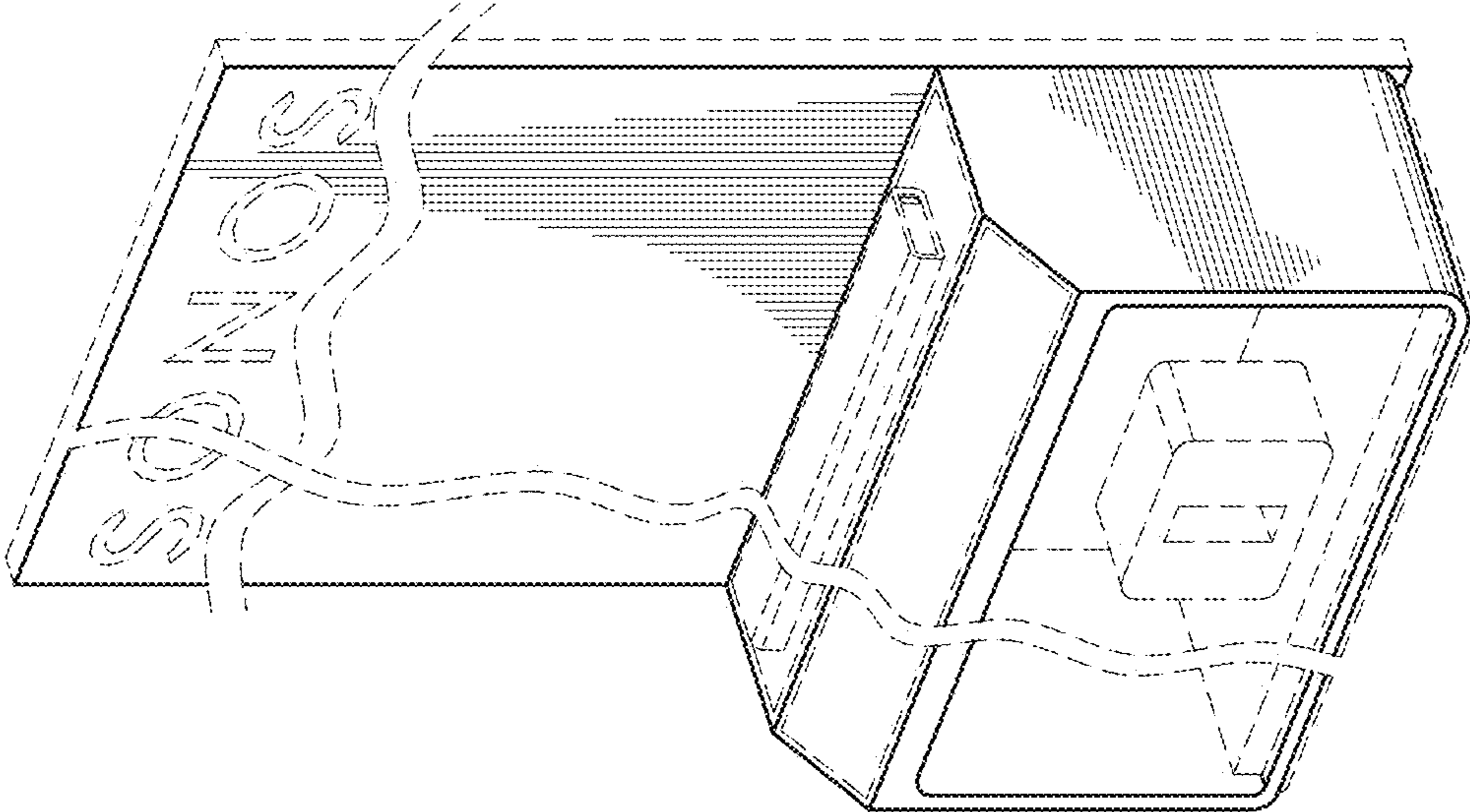


FIG. 1

FIG. 3

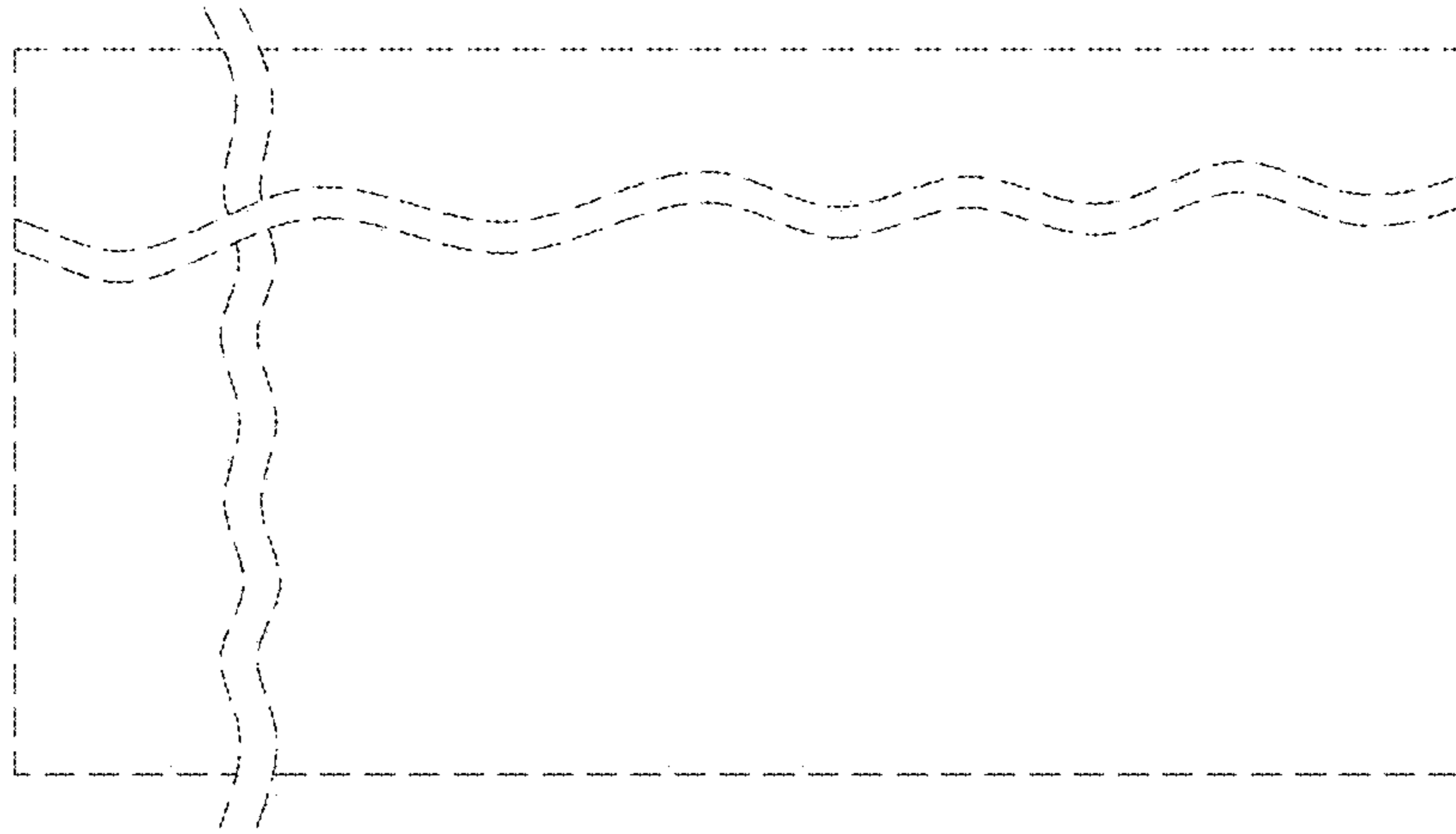


FIG. 2

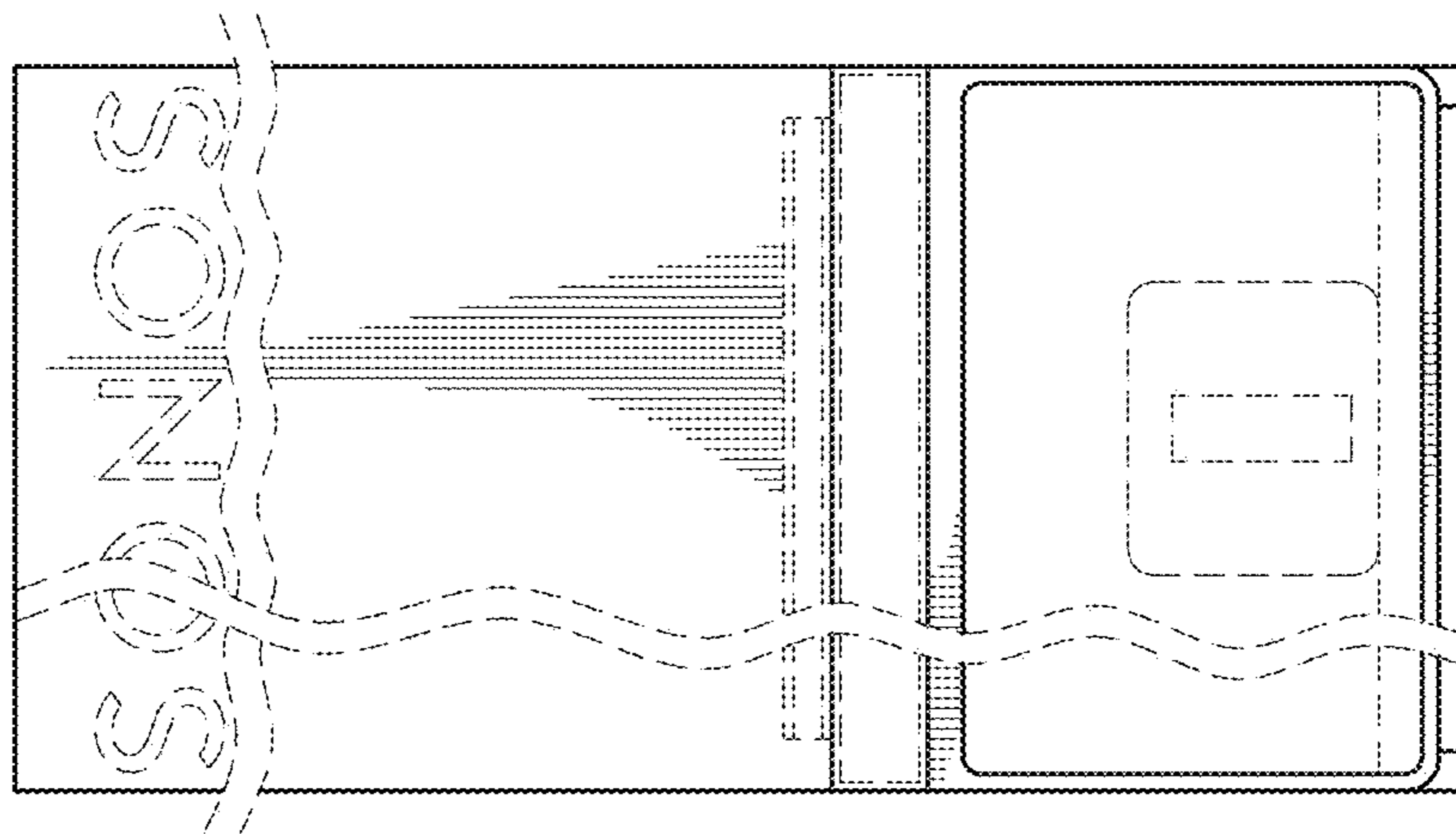


FIG. 5

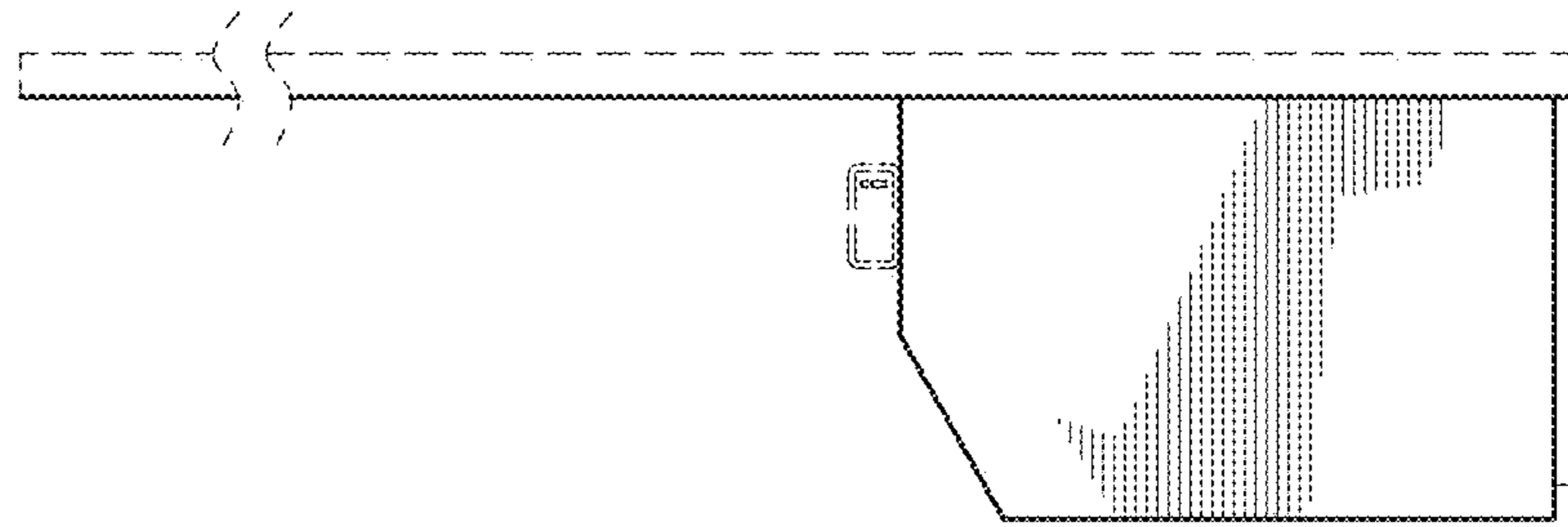
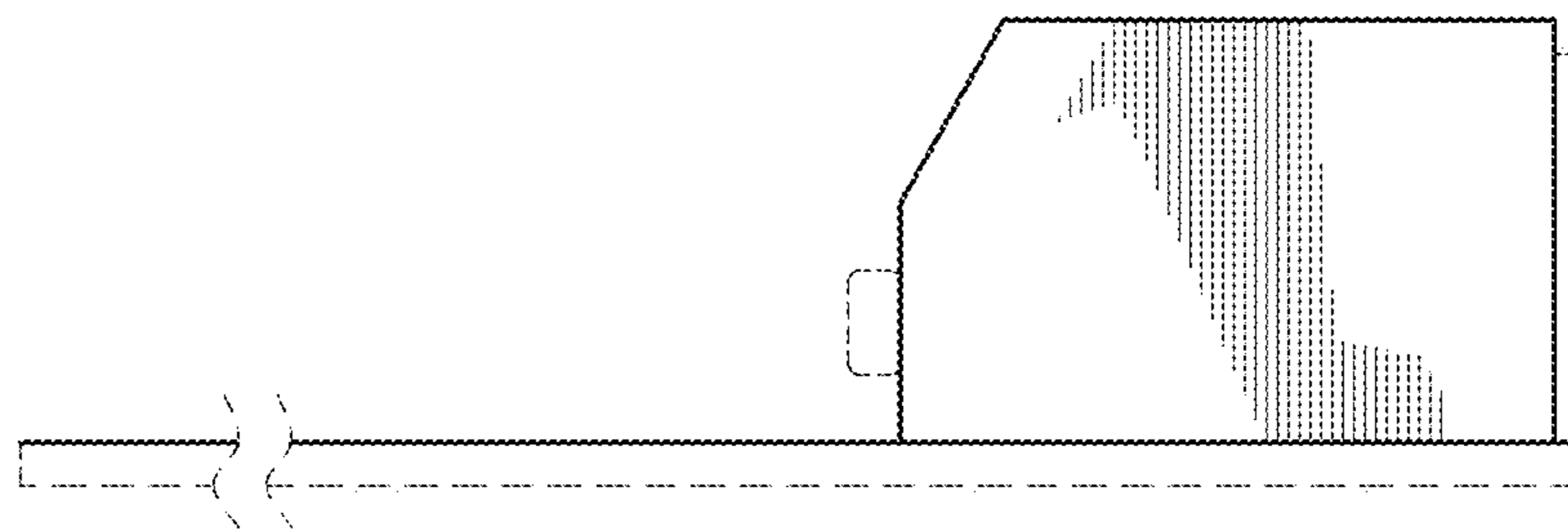


FIG. 4



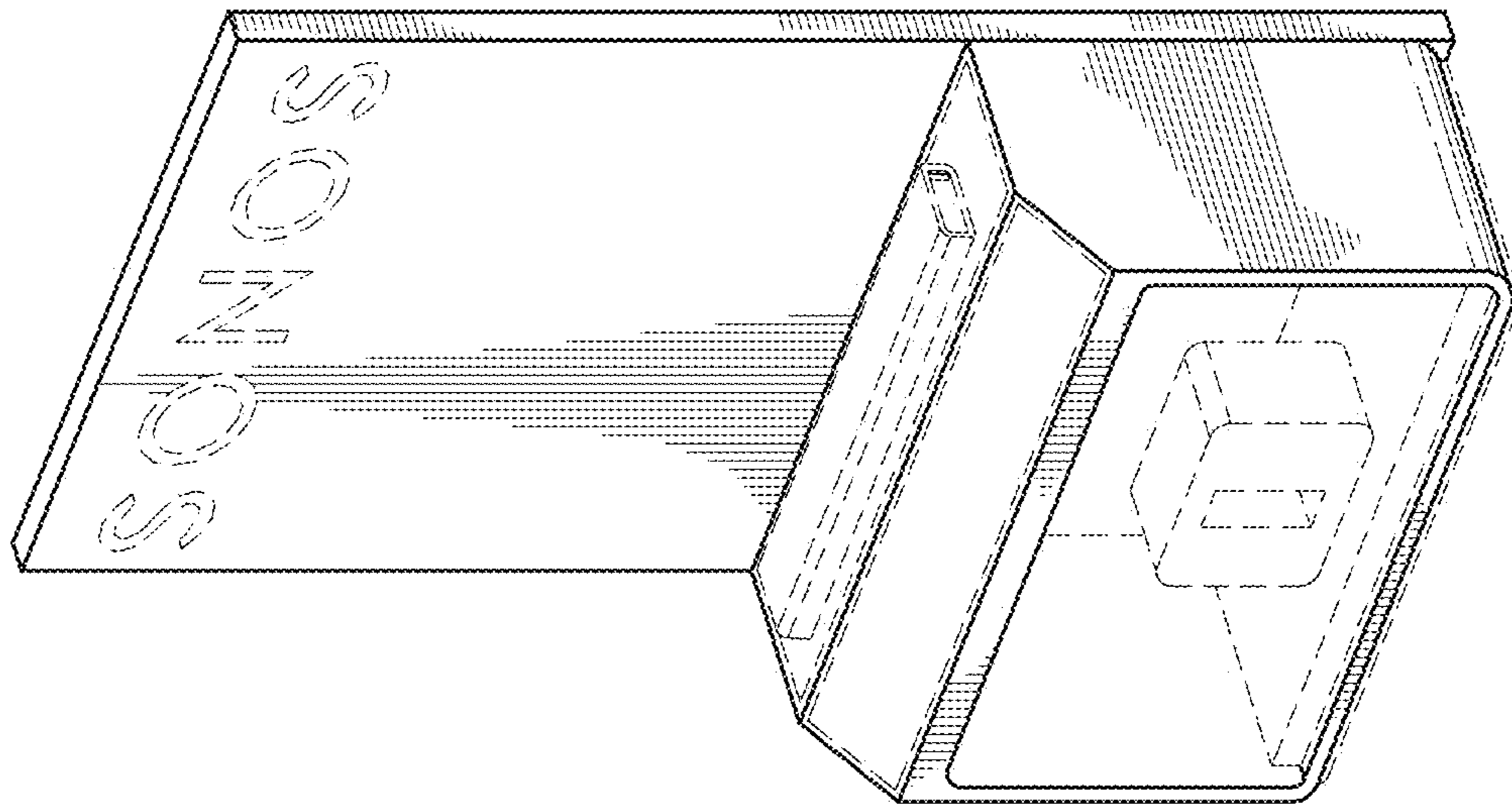


FIG. 6

FIG. 8

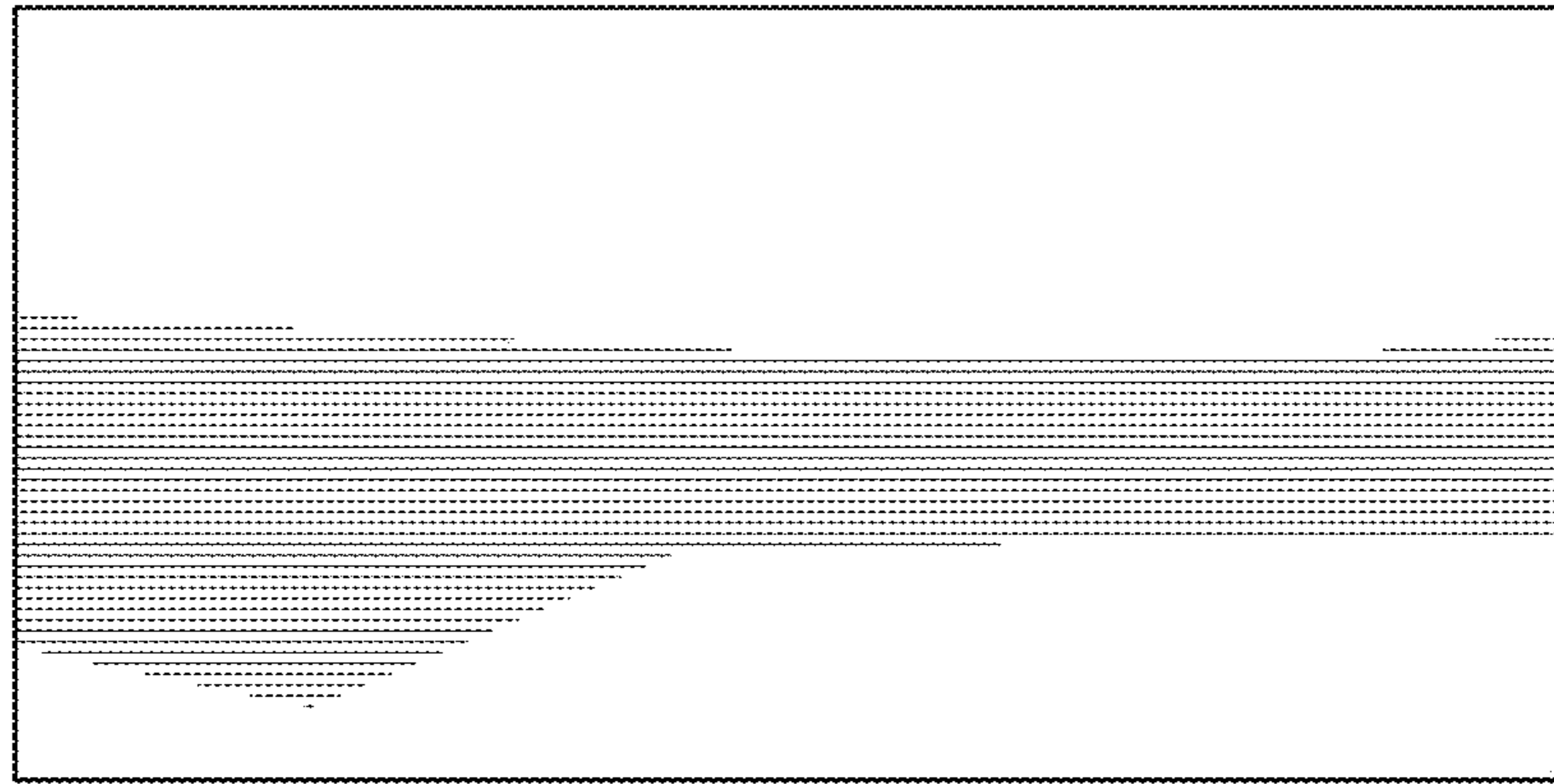


FIG. 7

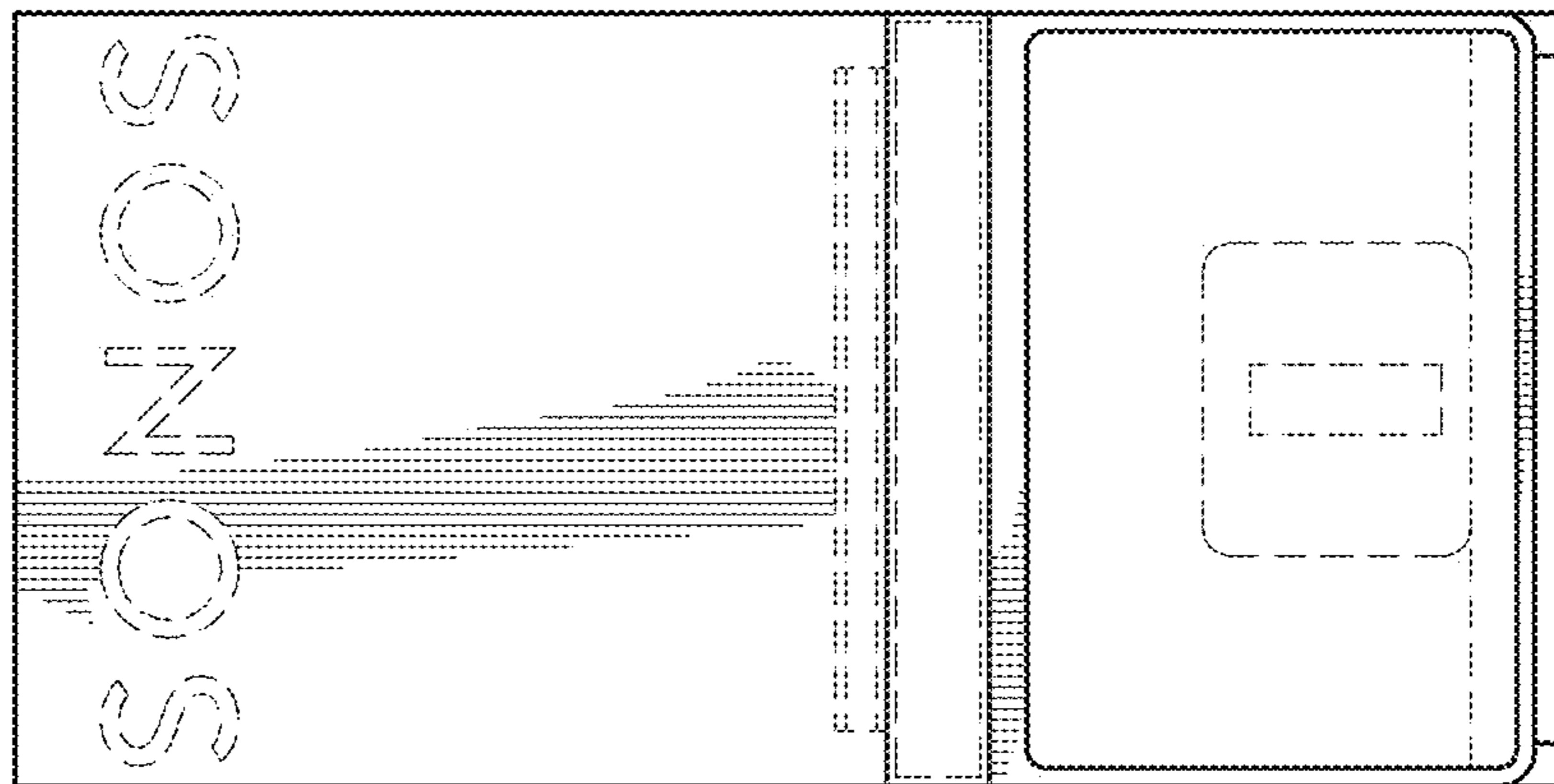


FIG. 10

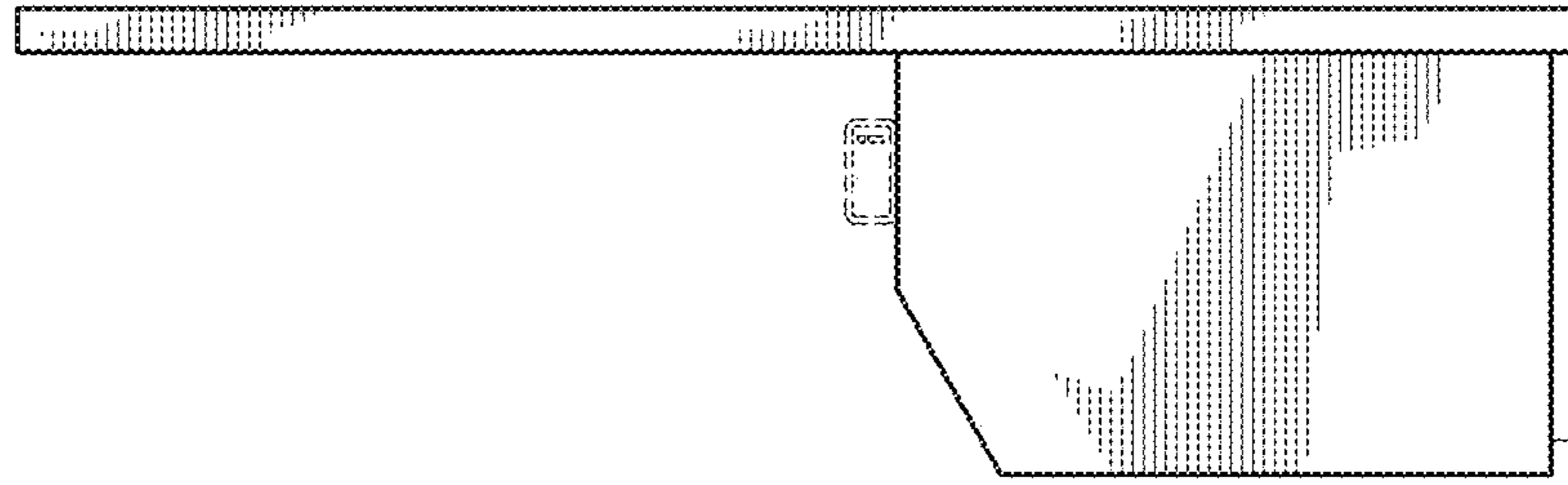


FIG. 9

