



US00D901943S

(12) **United States Design Patent** (10) **Patent No.:** **US D901,943 S**  
**Abraham** (45) **Date of Patent:** **\*\* Nov. 17, 2020**

(54) **PILLOW**  
(71) Applicant: **Barbara J. Abraham**, Aiken, SC (US)  
(72) Inventor: **Barbara J. Abraham**, Aiken, SC (US)  
(\*\*) Term: **15 Years**  
(21) Appl. No.: **29/741,333**  
(22) Filed: **Jul. 11, 2020**  
(51) **LOC (12) Cl.** ..... **06-09**  
(52) **U.S. Cl.**  
USPC ..... **D6/601**  
(58) **Field of Classification Search**  
USPC ..... D6/582-583, 587-592, 595-609,  
D6/617-622; D21/803-809; D24/183  
CPC ..... A47G 9/00; A47G 2009/001; A47G  
2009/002; A47G 2009/003; A47G 9/10;  
A47G 9/1009; A47G 2009/1018; A47G  
9/1045; A47G 9/1081; A47G 9/109  
See application file for complete search history.

D773,212 S 12/2016 Krishtul  
D787,233 S \* 5/2017 Wang ..... D6/601  
D838,123 S \* 1/2019 Ye ..... D6/601  
D872,503 S \* 1/2020 Little ..... D6/601  
10,548,405 B2 \* 2/2020 Komsky ..... A47G 9/1081  
D878,808 S \* 3/2020 Denat ..... D6/601  
D886,495 S \* 6/2020 Wong ..... D6/601  
2005/0150050 A1 7/2005 Wolf et al.  
2006/0016011 A1 1/2006 Berg  
2013/0198961 A1 8/2013 Davis et al.  
2014/0000036 A1 1/2014 Cohen  
2016/0183685 A1 \* 6/2016 Kang ..... A47G 9/1081  
5/639  
2017/0290450 A1 \* 10/2017 Jaramillo ..... A47G 9/10

(56) **References Cited**

**U.S. PATENT DOCUMENTS**

5,261,134 A \* 11/1993 Matthews ..... A47D 13/083  
5/630  
5,926,880 A 7/1999 Sramek  
6,058,517 A \* 5/2000 Hartunian ..... A41D 13/0512  
2/468  
6,457,195 B1 \* 10/2002 Holste ..... A47C 7/383  
5/636  
6,640,977 B2 \* 11/2003 Matthews Brown .. A47C 7/383  
206/770  
D489,211 S \* 5/2004 Grannum ..... D6/601  
7,426,762 B2 9/2008 Dazzi  
D582,045 S \* 12/2008 James ..... D24/191  
D668,004 S \* 9/2012 Price ..... D30/152  
8,677,531 B2 3/2014 Popitz  
8,887,333 B2 11/2014 Cohen  
9,220,345 B2 12/2015 Davis et al.

**OTHER PUBLICATIONS**

JPetal Pillow. Amazon.com. Product reviewed Mar. 27, 2018.  
Found on the internet at: <https://www.amazon.com/JETPAL-Memory-Travel-Pillow-Posture/dp/B07648CT5K>.\*

\* cited by examiner

*Primary Examiner* — Jennifer L Rempfer  
(74) *Attorney, Agent, or Firm* — Livingston Law, P.A.;  
Edward M. Livingston, Esq.

(57) **CLAIM**

The ornamental design for a pillow, as shown and described.

**DESCRIPTION**

FIG. 1 is a perspective view of the pillow showing my new design;  
FIG. 2 is a front view of the pillow;  
FIG. 3 is a left side view of the pillow;  
FIG. 4 is a right side view of the pillow;  
FIG. 5 is a top view of the pillow;  
FIG. 6 is a rear view of the pillow; and,  
FIG. 7 is a bottom view of the pillow.

**1 Claim, 3 Drawing Sheets**

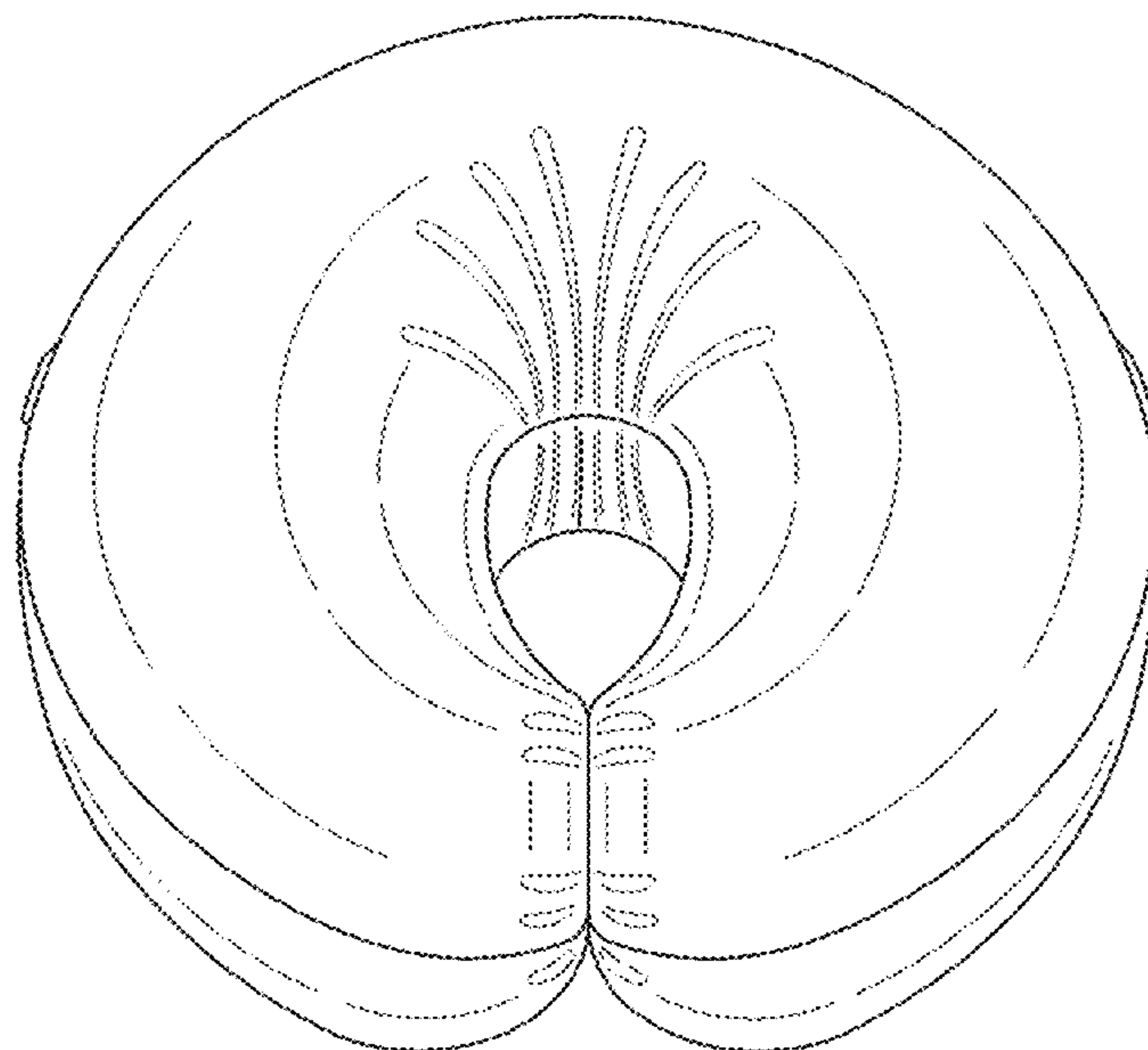


FIG. 1

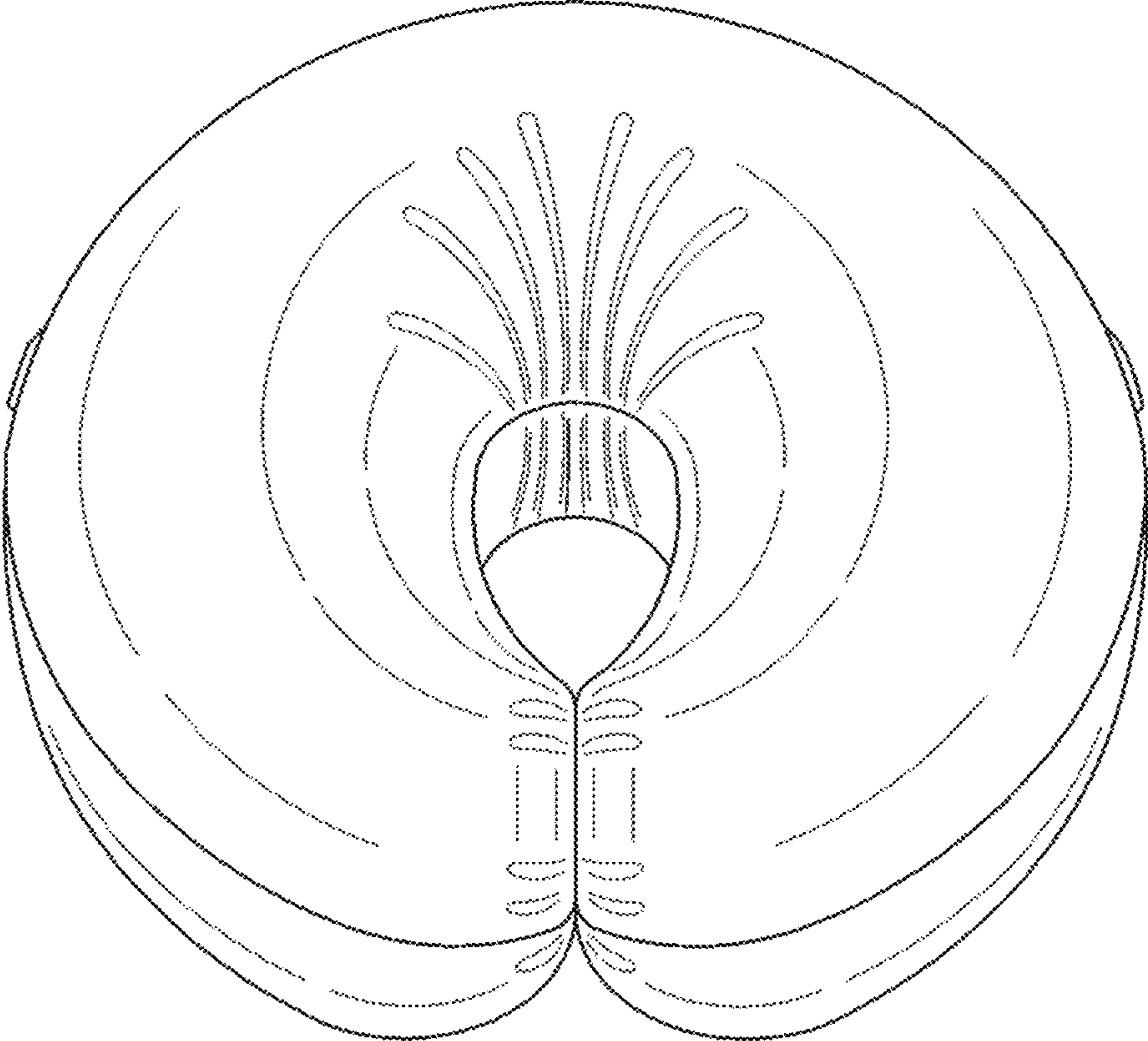


FIG. 2

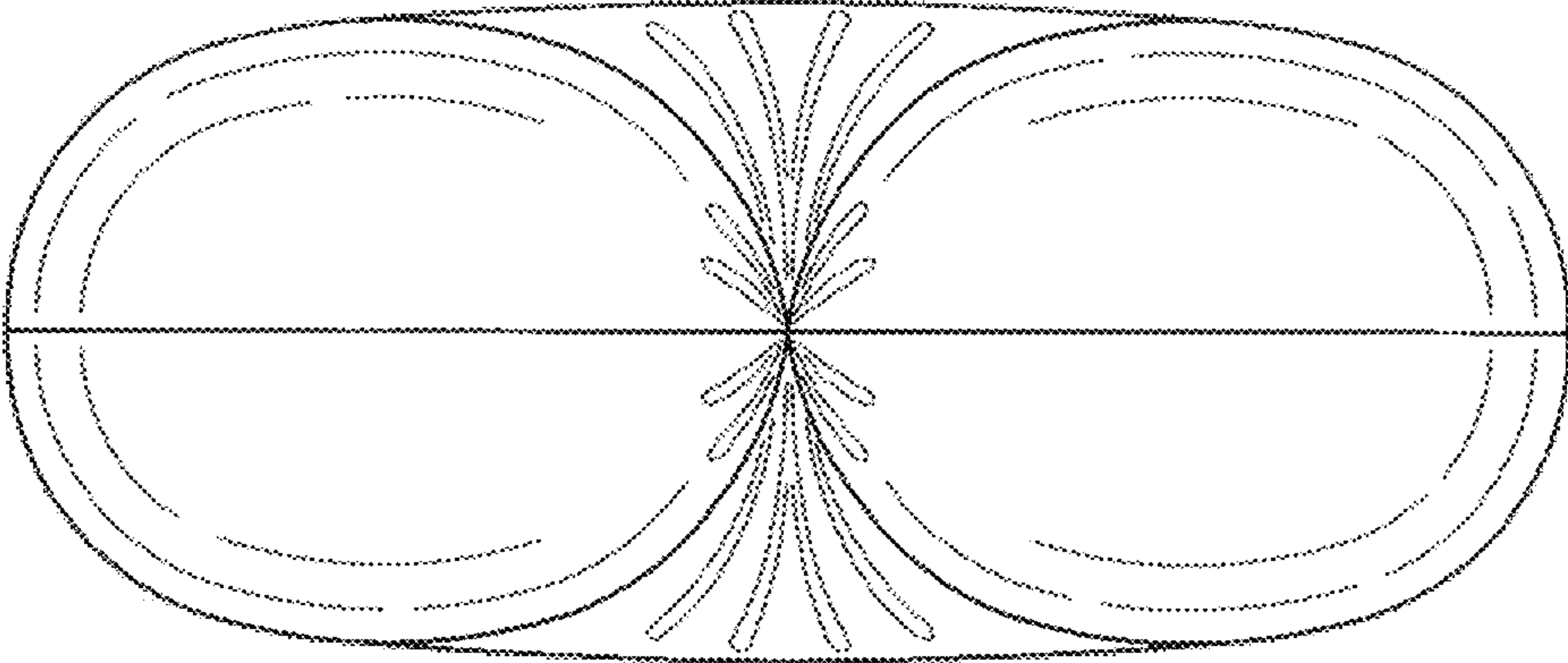


FIG. 3

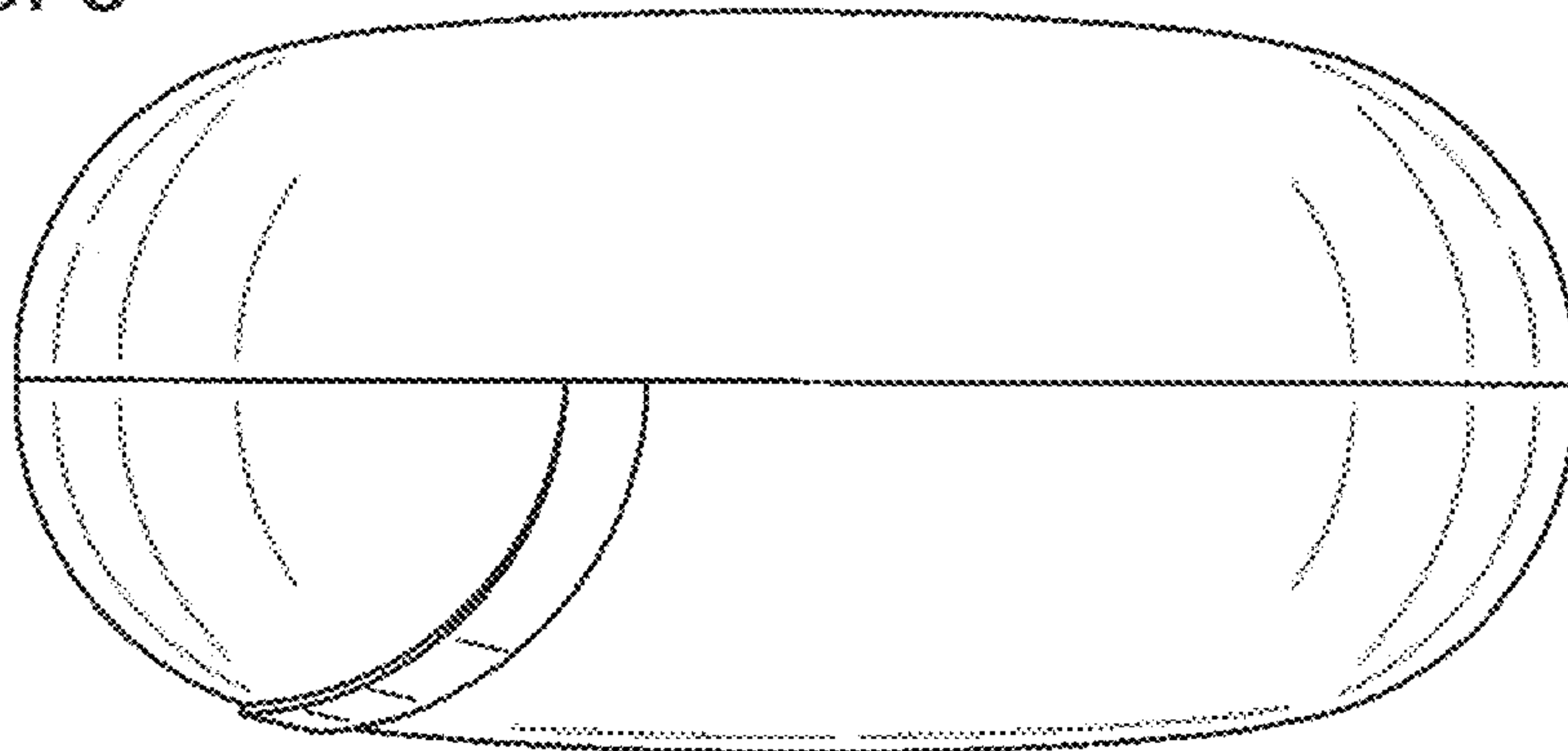


FIG. 4

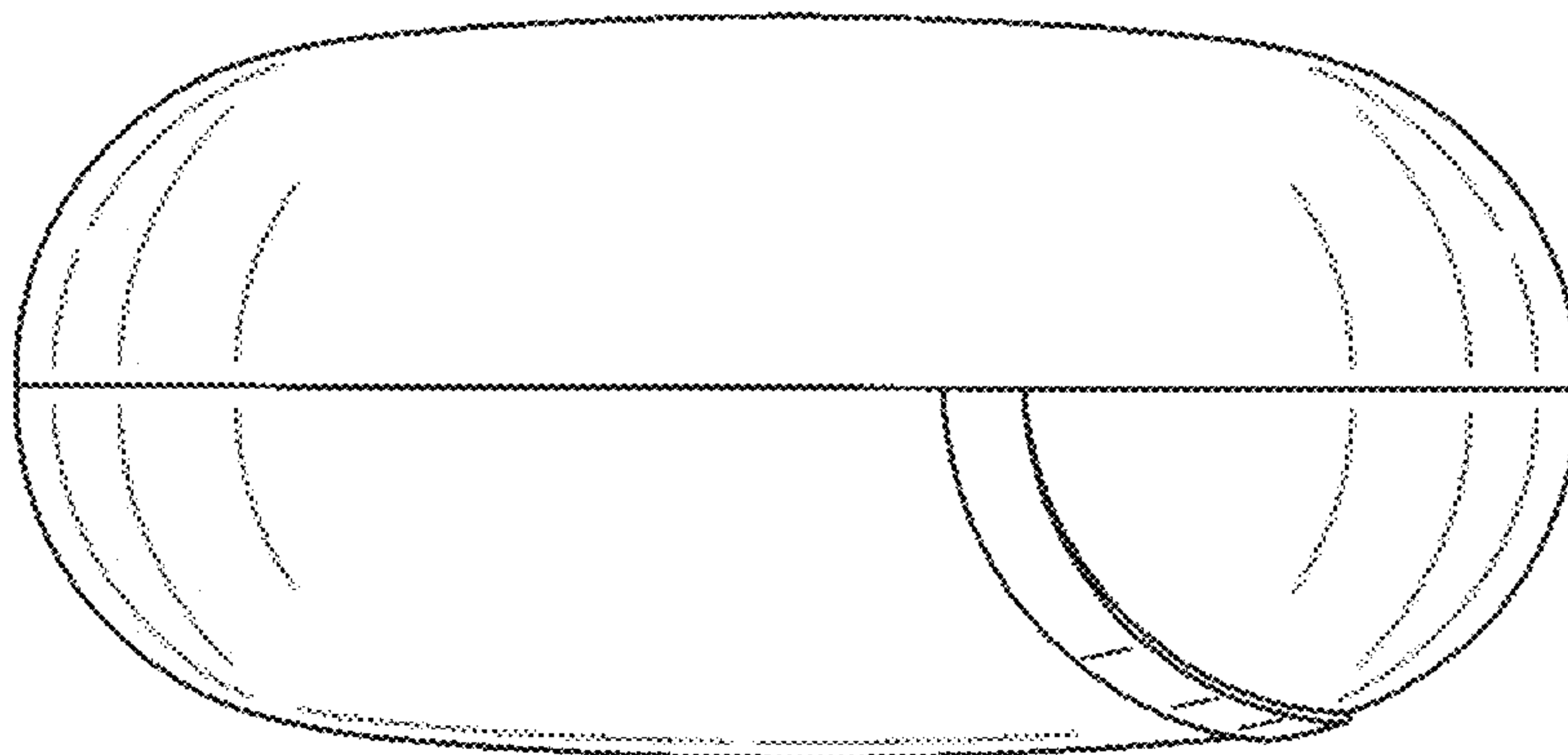


FIG. 5

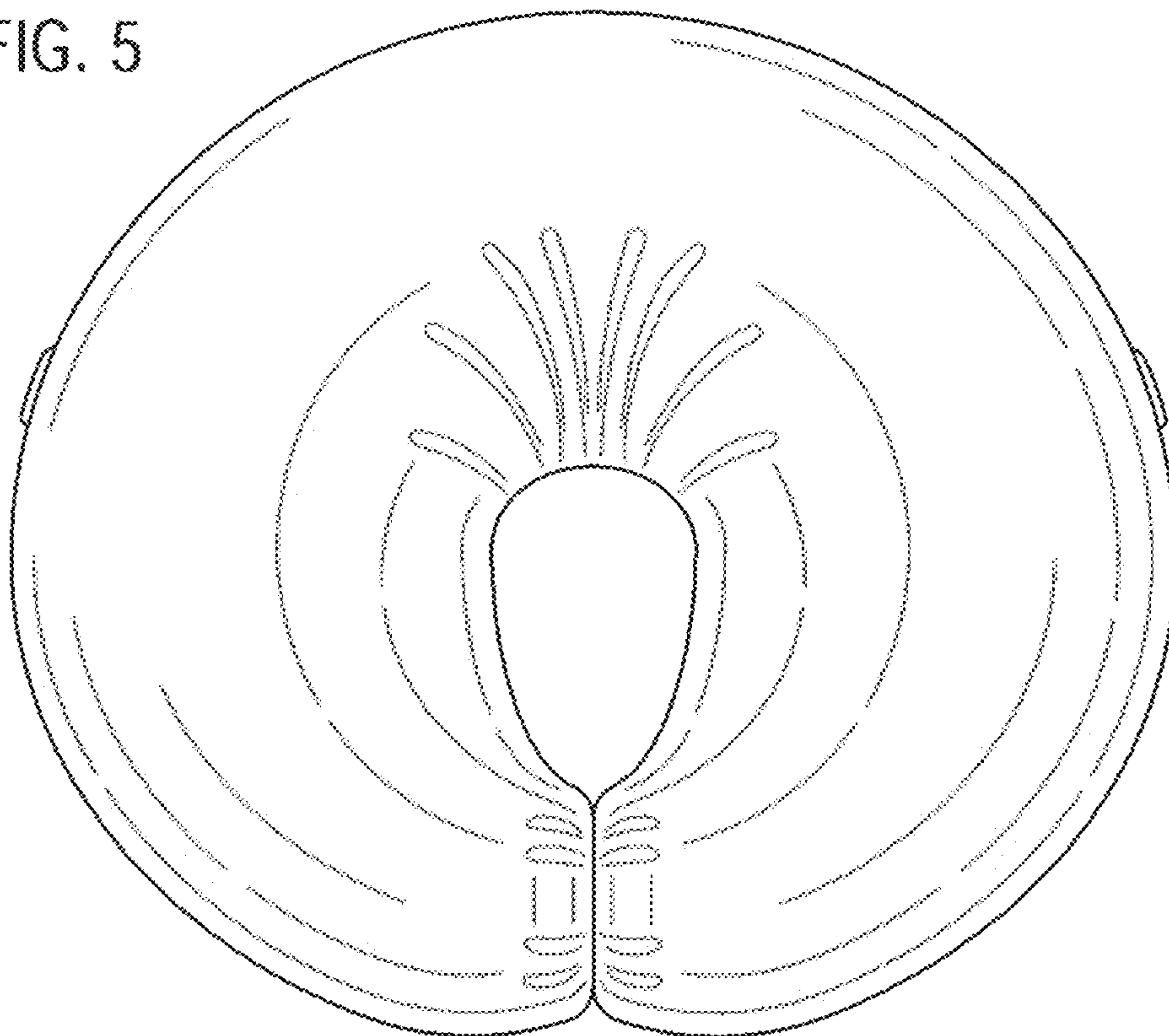




FIG. 6

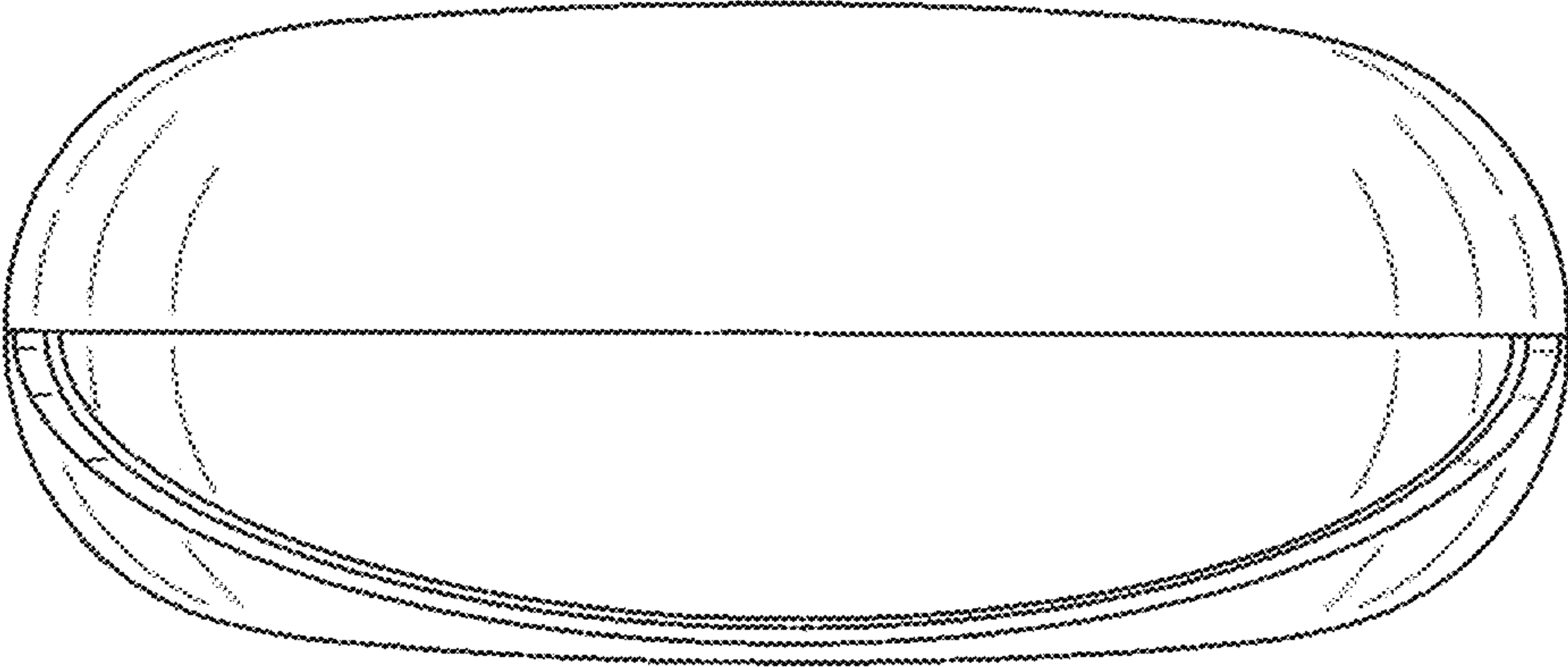


FIG. 7

