



US00D901938S

(12) **United States Design Patent**  
**Haapalahti**

(10) **Patent No.:** **US D901,938 S**

(45) **Date of Patent:** **\*\* Nov. 17, 2020**

(54) **BLIND CASING**

(71) Applicant: **SUOMEN VISOR OY**, Kempele (FI)

(72) Inventor: **Teuvo Haapalahti**, Oulunsalo (FI)

(73) Assignee: **Suomen Visor OY**, Kempele (FI)

(\*\*) Term: **15 Years**

(21) Appl. No.: **29/661,211**

(22) Filed: **Aug. 24, 2018**

(30) **Foreign Application Priority Data**

Feb. 27, 2018 (EM) ..... 004728020-0001

(51) **LOC (12) Cl.** ..... **06-10**

(52) **U.S. Cl.**  
USPC ..... **D6/580**

(58) **Field of Classification Search**  
USPC ..... D6/575-577, 579, 580; D13/155;  
D25/119, 121, 136  
CPC ..... A47H 1/04; A47H 15/00; A47H 23/01;  
E06B 2009/2622; E06B 2009/402; E06B  
2009/407; E06B 9/26; E06B 9/28; E06B  
9/323; E06B 9/36; E06B 9/386; E06B  
9/388; E06B 9/40; E06B 9/42; E06B 9/58  
See application file for complete search history.

(56) **References Cited**

**U.S. PATENT DOCUMENTS**

3,524,491 A \* 8/1970 Olson ..... A47H 23/01  
160/393  
4,393,915 A \* 7/1983 Olson ..... E06B 9/17046  
160/384  
4,735,251 A \* 4/1988 Tsuchida ..... A01G 9/222  
160/172 R  
D388,181 S \* 12/1997 Payton ..... E06B 9/17046  
D25/121

D418,394 S \* 1/2000 King ..... A47H 23/01  
D25/124  
D612,715 S \* 3/2010 Weinberg ..... E06B 9/58  
D8/394  
D633,742 S \* 3/2011 Ng ..... A01G 9/222  
D6/580  
D698,216 S \* 1/2014 Waddell ..... E06B 9/42  
D8/395  
D886,491 S \* 6/2020 Huang ..... D6/580  
2003/0079434 A1 \* 5/2003 Milliken ..... G09F 13/0413  
52/843  
2014/0047680 A1 \* 2/2014 Ng ..... E06B 9/42  
24/457  
2019/0284874 A1 \* 9/2019 Healam ..... E06B 9/58  
2020/0011129 A1 \* 1/2020 Foley ..... E06B 9/323

\* cited by examiner

*Primary Examiner* — Kevin K Rudzinski

*Assistant Examiner* — Clare Ann Gannon

(74) *Attorney, Agent, or Firm* — Hoffmann & Baron, LLP

(57) **CLAIM**

The ornamental design for a blind casing, as shown and described.

**DESCRIPTION**

FIG. 1 is a perspective view showing the front, top and left side of the blind casing of my new design;

FIG. 2 is a perspective view showing the front, top and right side thereof;

FIG. 3 is a perspective view showing the right side, top and front thereof from a different angle;

FIG. 4 is a right side view thereof;

FIG. 5 is a left side view thereof;

FIG. 6 is a front view thereof; and,

FIG. 7 is a rear view thereof.

The break lines shown in FIGS. 1-5 symbolize breaks in the length of the article in which the claimed design is embodied. The appearance of any portion of the article between the break lines forms no part of the claimed design.

**1 Claim, 7 Drawing Sheets**

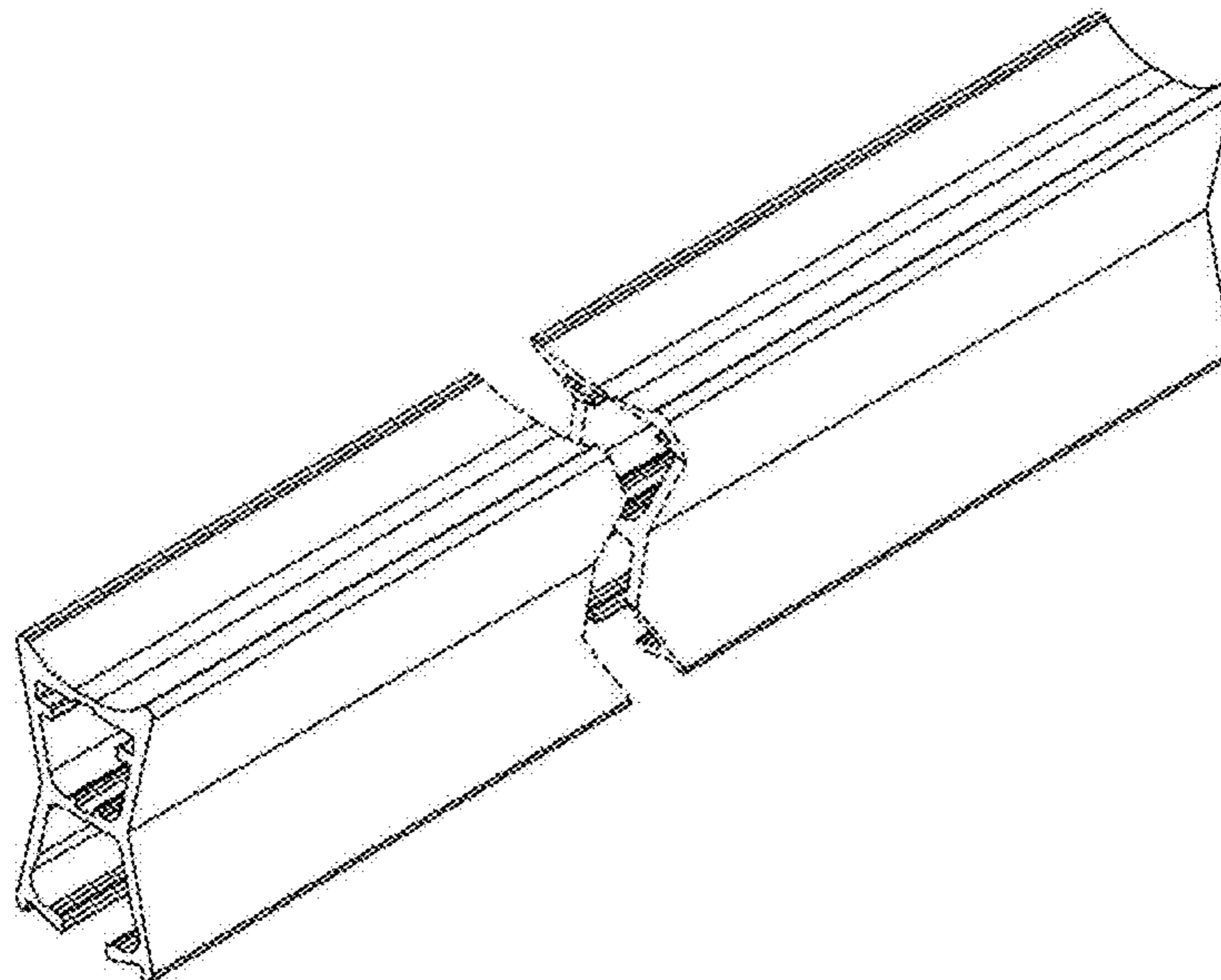


FIG. 1

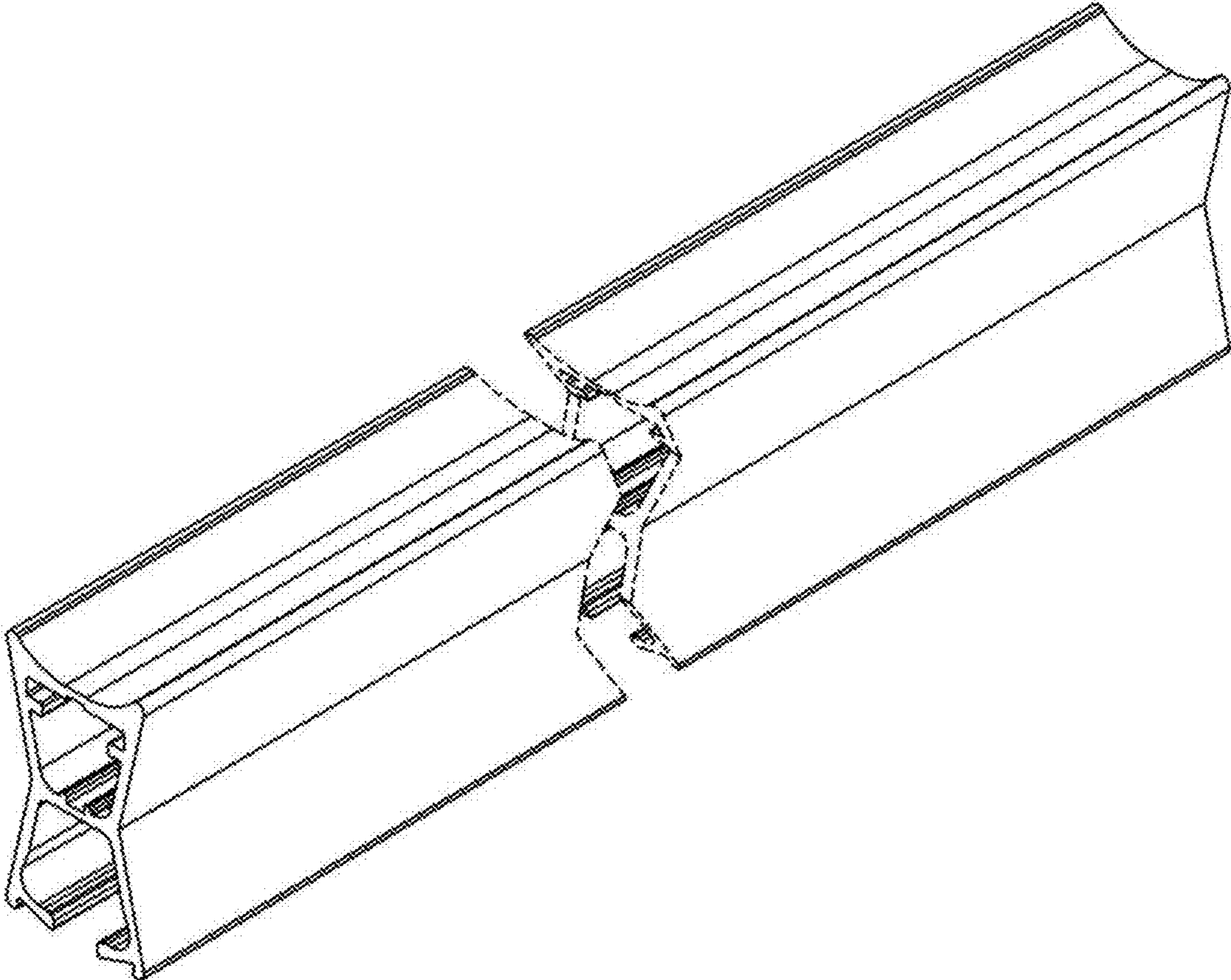


FIG. 2

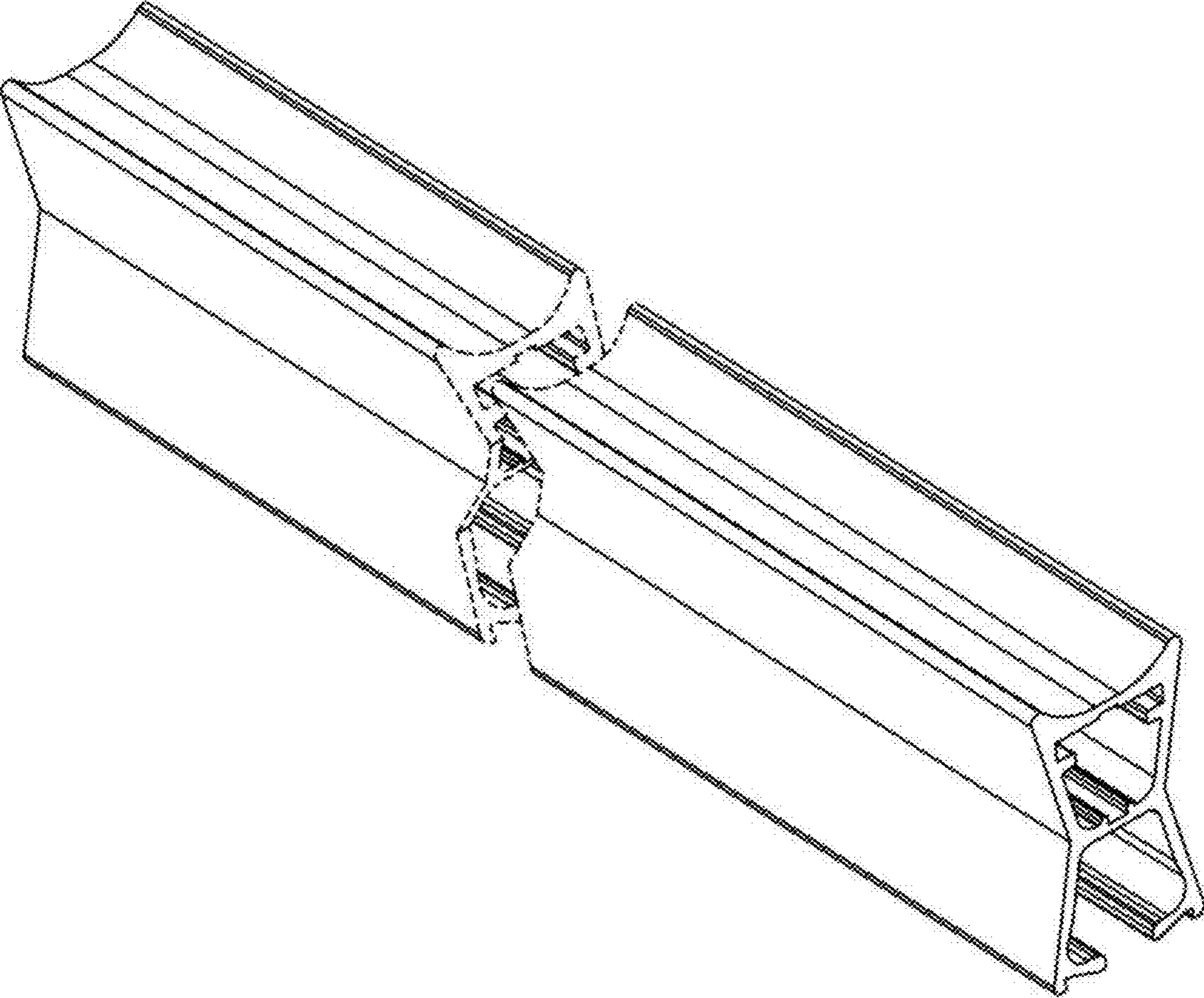


FIG. 3

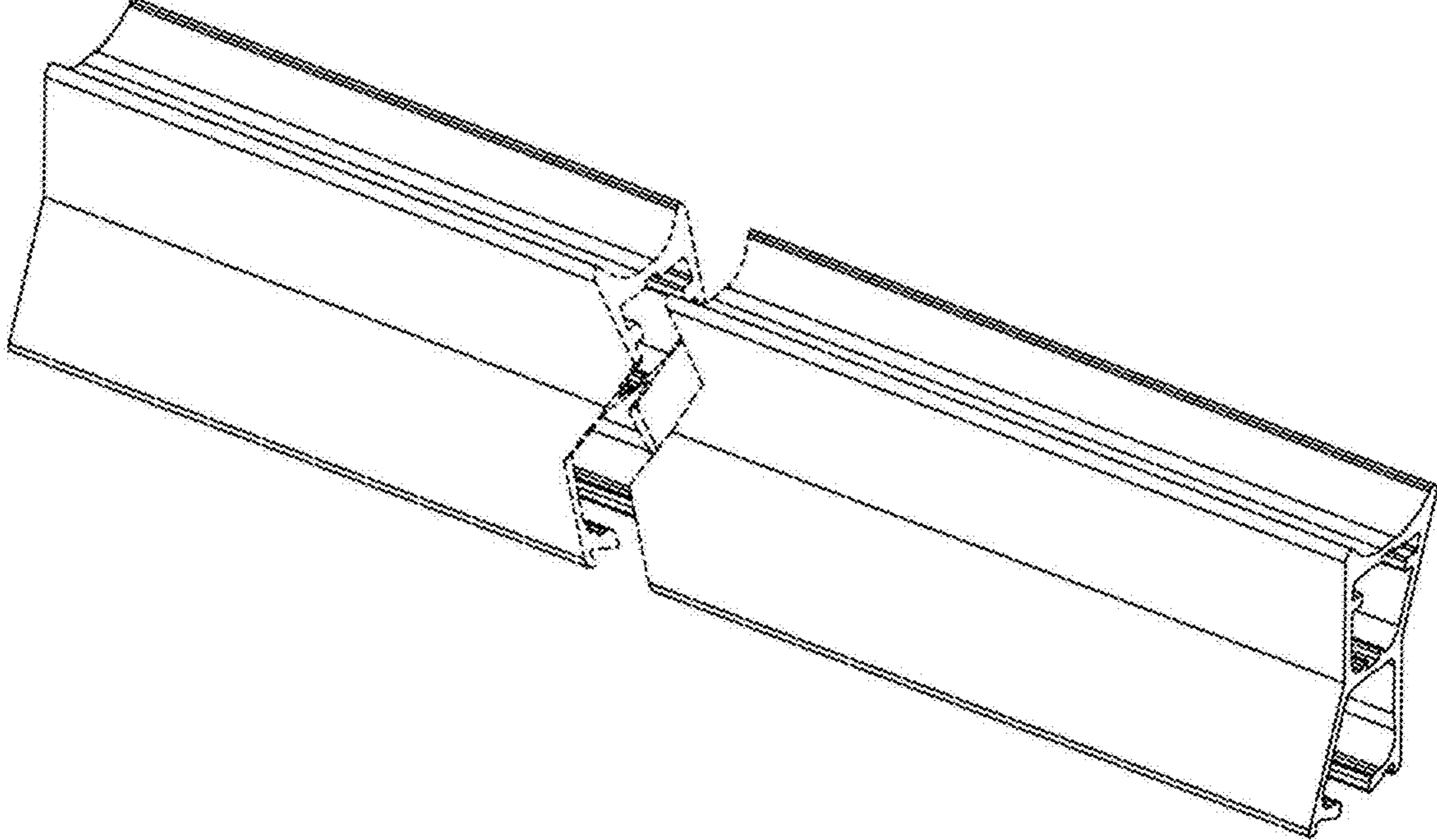


FIG. 4

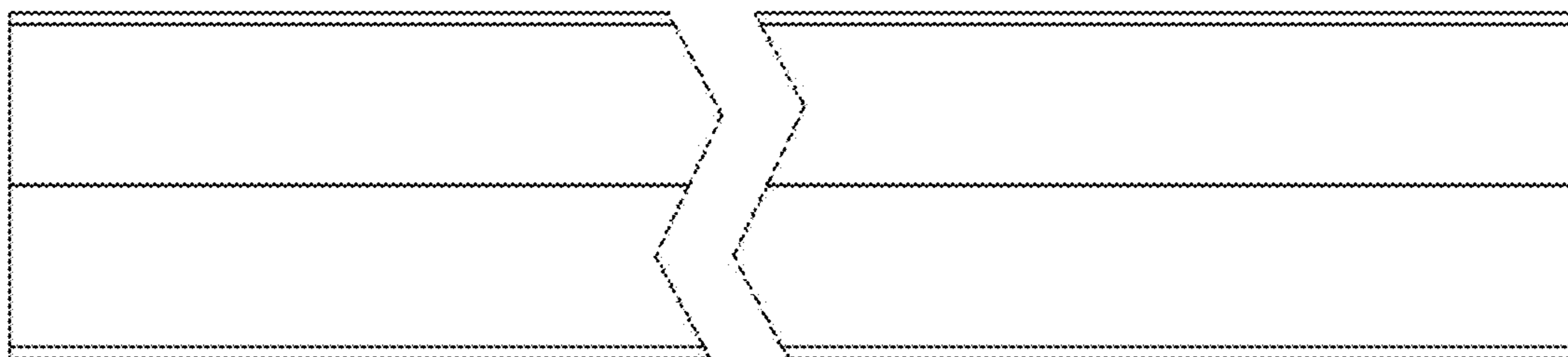


FIG. 5

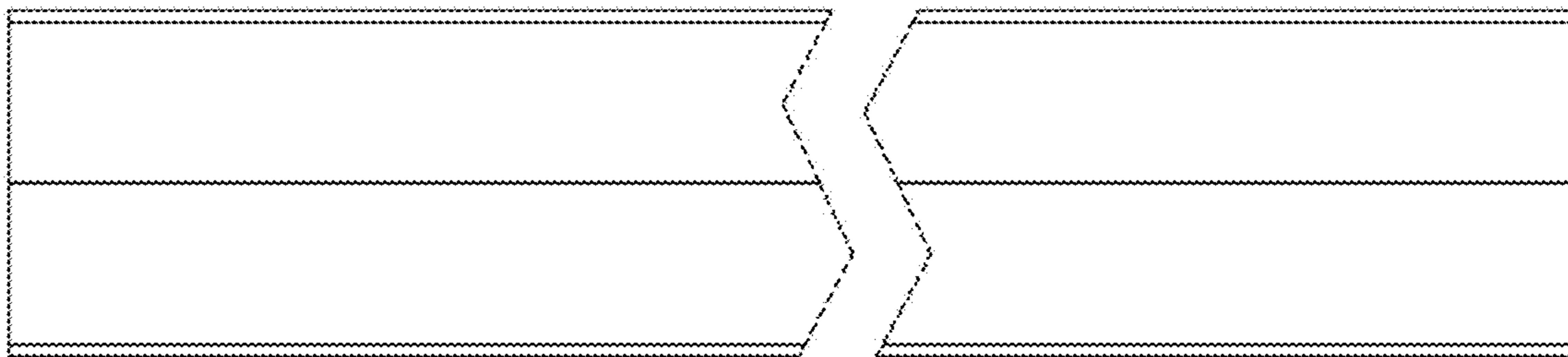


FIG. 6

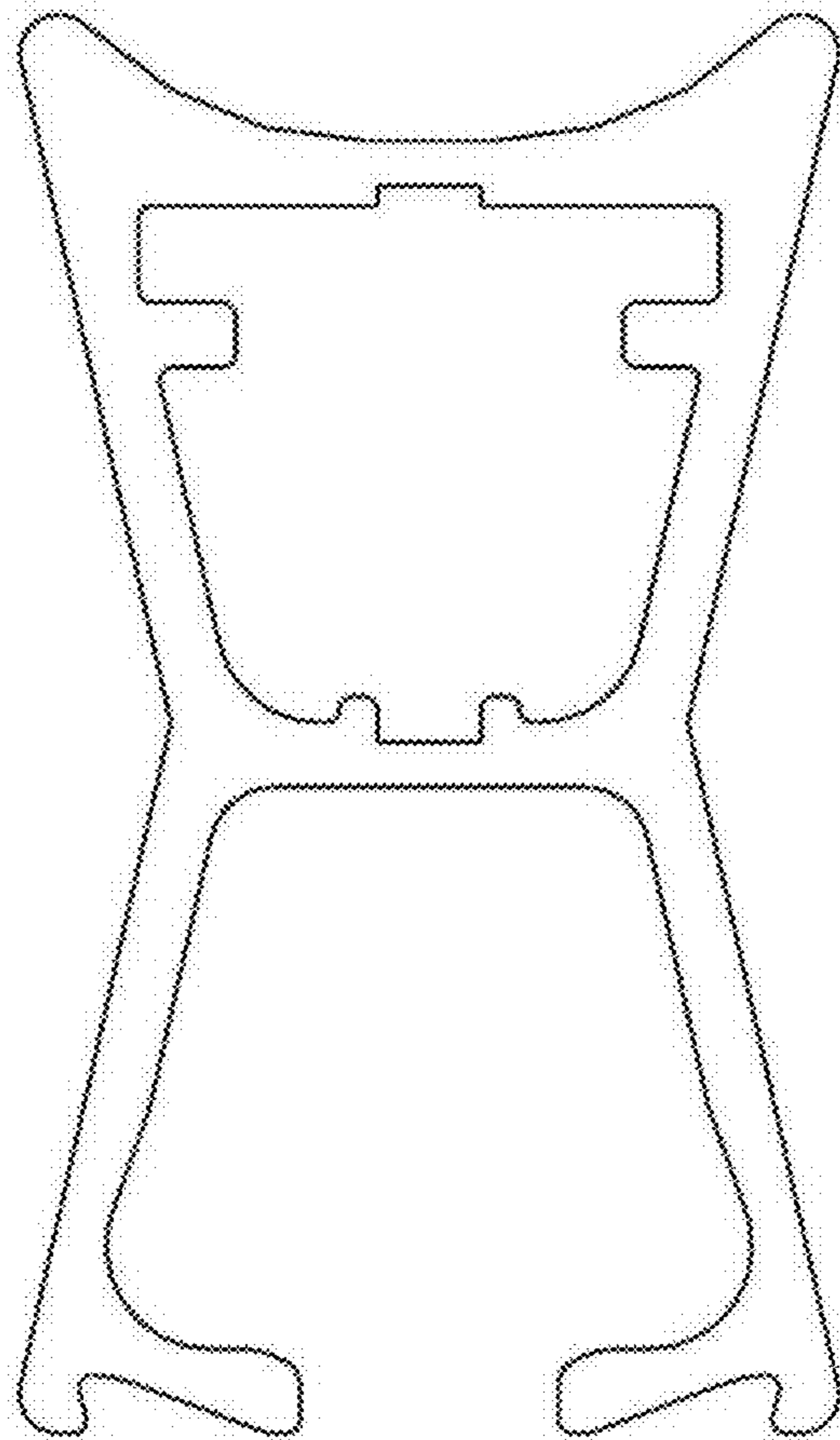


FIG. 7

