



US00D901937S

(12) **United States Design Patent** (10) **Patent No.:** **US D901,937 S**
Hunsburger et al. (45) **Date of Patent:** **** Nov. 17, 2020**

(54) **END CAP FOR AN ARCHITECTURAL COVERING**

3/00; A47H 3/02; E04F 10/00; E04F 10/08; E04F 10/10

See application file for complete search history.

(71) Applicant: **Hunter Douglas Inc.**, Pearl River, NY (US)

(56) **References Cited**

U.S. PATENT DOCUMENTS

(72) Inventors: **Gerald N. Hunsburger**, Cumming, GA (US); **John Anthony Wargo**, Atlanta, GA (US); **Mary Jo Dubina**, Atlanta, GA (US); **Josh DeWard**, Roswell, GA (US)

876,593 A 1/1908 Rush
1,014,611 A * 1/1912 Rush E06B 9/15 D6/580

(Continued)

(73) Assignee: **Hunter Douglas Inc.**, Pearl River, NY (US)

OTHER PUBLICATIONS

User Guide: Cadence® Soft Vertical Blinds with the Paramount® Contoured Headrail System. HunterDouglas. Mar. 2019.

(**) Term: **15 Years**

Primary Examiner — Llorelys Martinez

(74) *Attorney, Agent, or Firm* — Leason Ellis LLP

(21) Appl. No.: **29/637,285**

(57) **CLAIM**

(22) Filed: **Feb. 15, 2018**

We claim the ornamental design for an end cap for an architectural covering, as shown and described.

Related U.S. Application Data

DESCRIPTION

(63) Continuation-in-part of application No. 15/837,568, filed on Dec. 11, 2017.

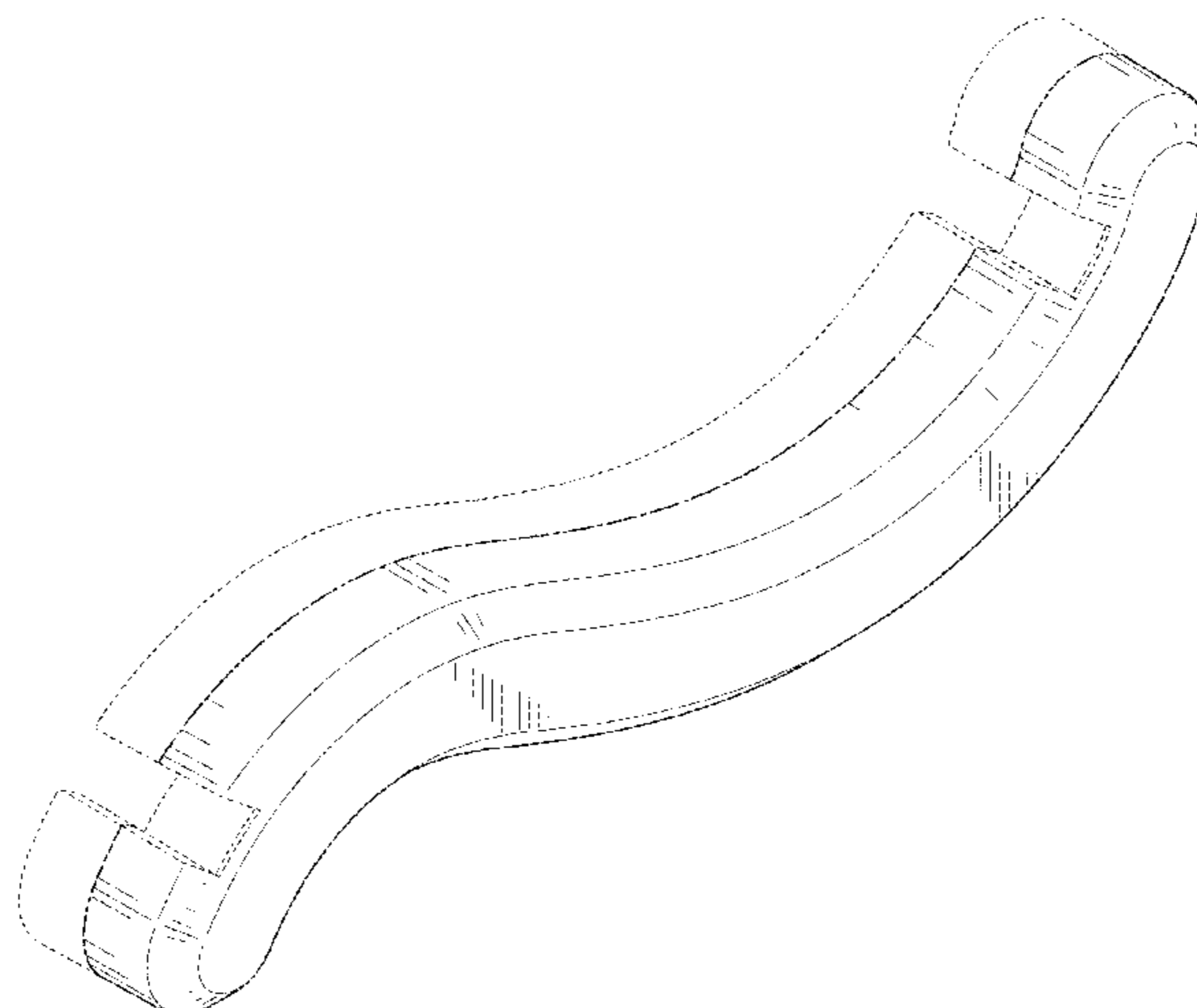
(51) **LOC (12) Cl.** **06-10**

(52) **U.S. Cl.**
USPC **D6/580**; D25/199

(58) **Field of Classification Search**
USPC D25/119, 164, 199; D6/580
CPC E06B 2009/587; E06B 2009/588; E06B 9/26; E06B 9/266; E06B 9/36; E06B 9/388; E06B 9/40; E06B 9/42; E06B 9/58; A47H 1/00; A47H 1/04; A47H 1/06; A47H 2001/003; A47H 2001/006; A47H 2001/045; A47H 2001/047; A47H

FIG. 1 is a top, perspective view of an end cap for an architectural covering showing our new design.
FIG. 2 is a bottom, perspective view of the end cap for an architectural covering as shown in FIG. 1.
FIG. 3 is a top view of the end cap for an architectural covering as shown in FIG. 1.
FIG. 4 is a bottom view of the end cap for an architectural covering as shown in FIG. 1.
FIG. 5 is a first side view of the end cap for an architectural covering as shown in FIG. 1.
FIG. 6 is a second side view of the end cap for an architectural covering as shown in FIG. 1.
FIG. 7 is a rear view of the end cap for an architectural covering as shown in FIG. 1; and,
FIG. 8 is a front view of the end cap for an architectural covering as shown in FIG. 1.

(Continued)



The dash-dot broken lines shown in the figures illustrate boundaries of the claim and form no part of the claimed design.

The dash-dash broken lines shown in the figures illustrate portions of the disclosed end cap for an architectural covering that form no part of the claimed design.

1 Claim, 5 Drawing Sheets

(56)

References Cited

U.S. PATENT DOCUMENTS

1,259,450	A	3/1918	Smith	
2,146,816	A	2/1939	Grassby	
D168,258	S *	11/1952	Friedman	D6/580
D343,909	S	2/1994	Flynn	
D347,348	S *	5/1994	Chen	D6/580
D366,174	S *	1/1996	Knuteson	D6/580
5,718,273	A	2/1998	Best et al.	
D440,099	S	4/2001	Horsten et al.	
D440,103	S *	4/2001	Throne	D6/580
D446,871	S *	8/2001	Thomas	D25/144
6,279,641	B1 *	8/2001	Malott	E04F 10/08 160/229.1
D459,933	S *	7/2002	Goodman	D6/580
D465,291	S	11/2002	Marshall	
6,497,266	B1	12/2002	Palmer et al.	
D481,575	S *	11/2003	Steinberg	D6/580

D486,117	S *	2/2004	Isler	D12/223
D489,928	S *	5/2004	Gilmore	D6/580
D497,506	S *	10/2004	Nien	D6/580
D499,816	S *	12/2004	Eichner	D25/119
D573,268	S *	7/2008	Lundsgaard	D25/119
D589,633	S *	3/2009	Mattingly	D25/138
D591,843	S *	5/2009	Van Becelaere	D23/386
D597,743	S *	8/2009	Skinner	D25/119
D602,612	S *	10/2009	Baum, Jr.	D25/141
D606,793	S *	12/2009	Allsopp	D6/580
D633,320	S *	3/2011	Brace	D6/580
D685,503	S *	7/2013	Gardner	D25/119
D692,684	S *	11/2013	Colson	D6/580
D738,536	S *	9/2015	Lillejord	D25/138
D825,953	S *	8/2018	Diamond	D6/580
10,309,153	B2	6/2019	McPherson et al.	
2003/0005649	A1 *	1/2003	Austin	E04D 13/004 52/94
2005/0150614	A1	7/2005	Nien et al.	
2009/0250177	A1	10/2009	Byeon	
2010/0155000	A1	6/2010	Krab et al.	
2011/0225913	A1 *	9/2011	Frigerio	E04F 10/10 52/302.1
2014/0053990	A1	2/2014	Miller	
2014/0053991	A1	2/2014	Miller et al.	
2014/0182793	A1	7/2014	Byun	
2014/0262076	A1	9/2014	Mullet et al.	
2014/0305602	A1	10/2014	Kirby et al.	
2016/0145938	A1 *	5/2016	Colson	E06B 9/42 160/133
2018/0087319	A1	3/2018	McPherson et al.	
2018/0179812	A1	6/2018	Dubina et al.	

* cited by examiner

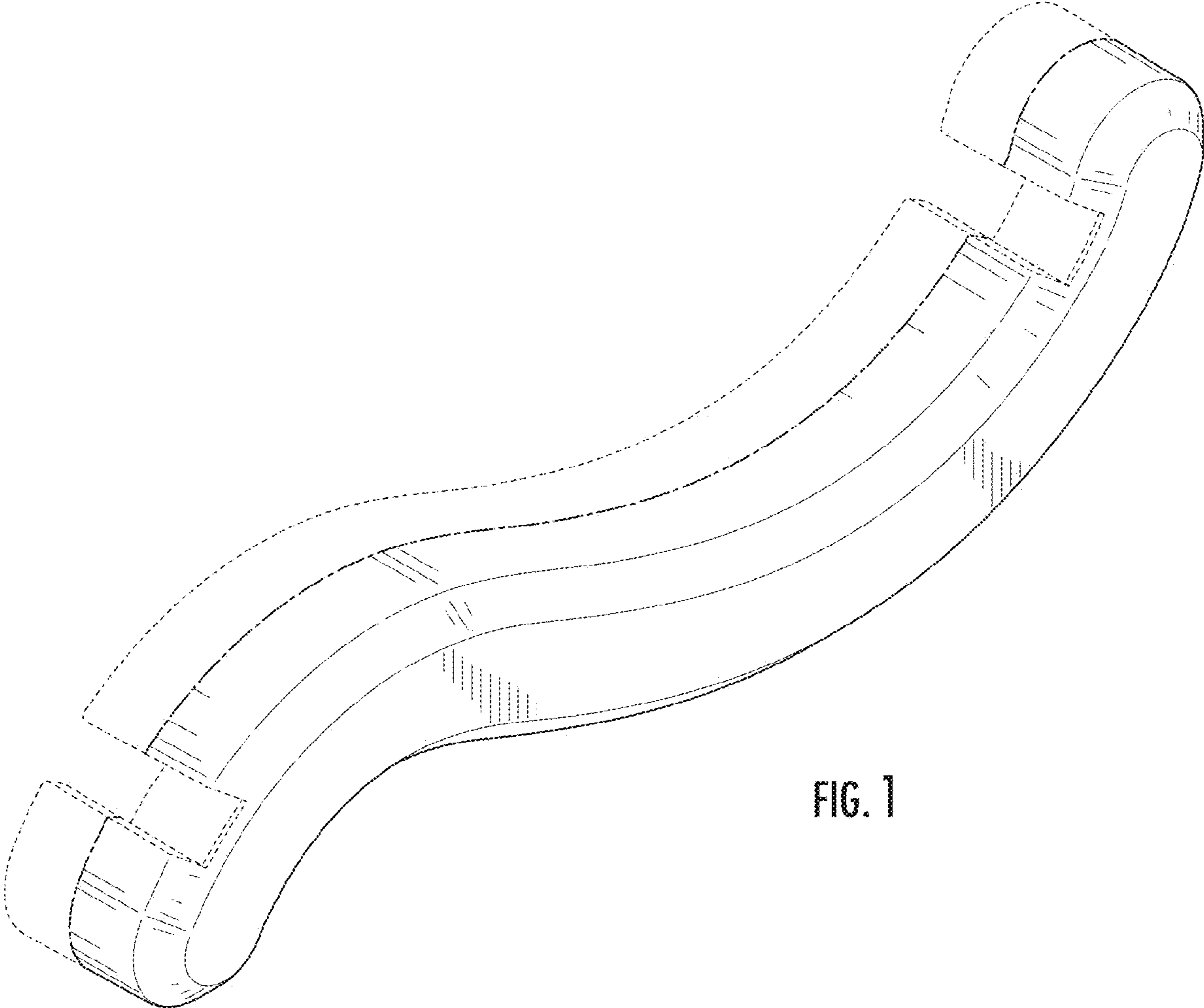


FIG. 1

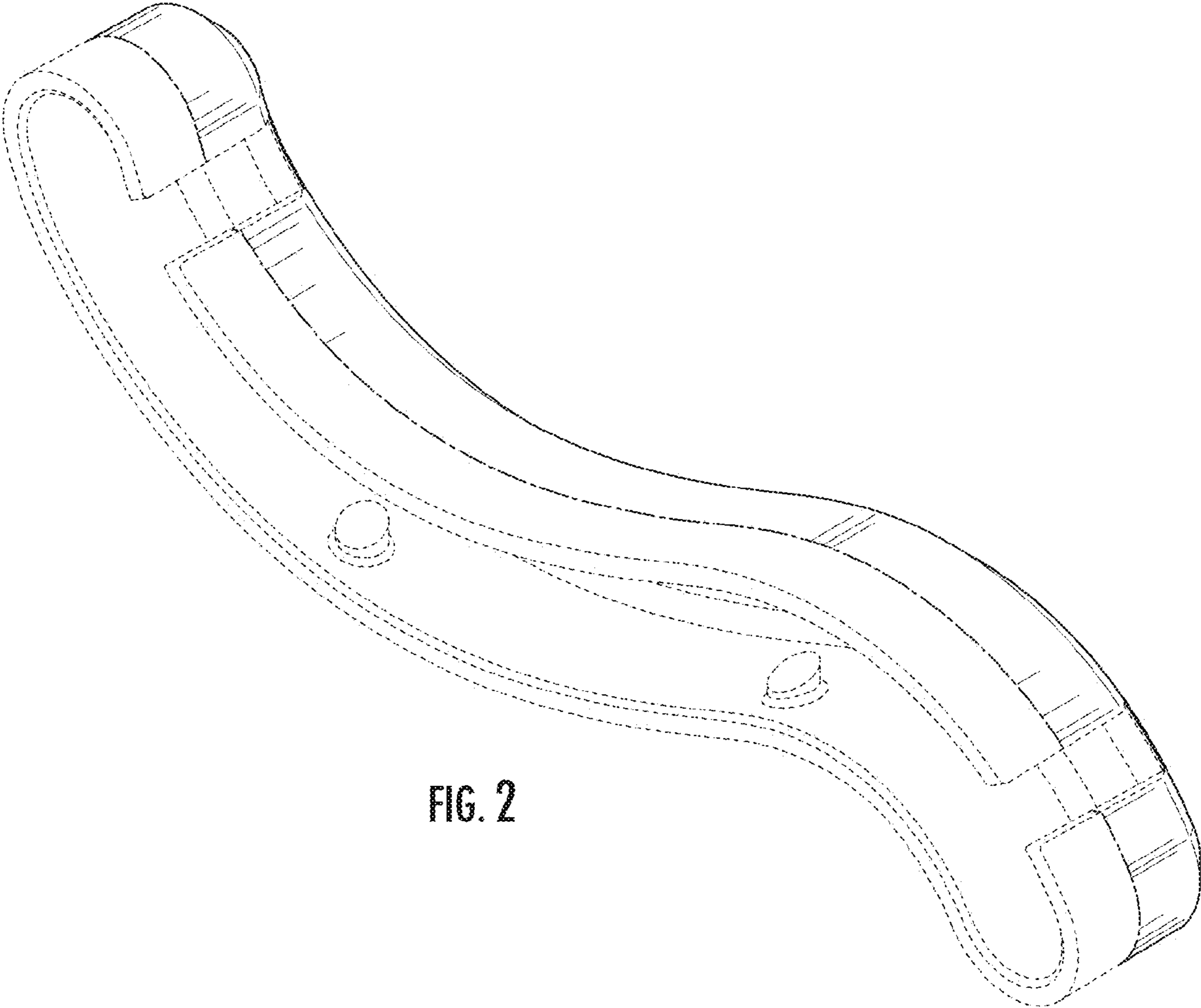


FIG. 2

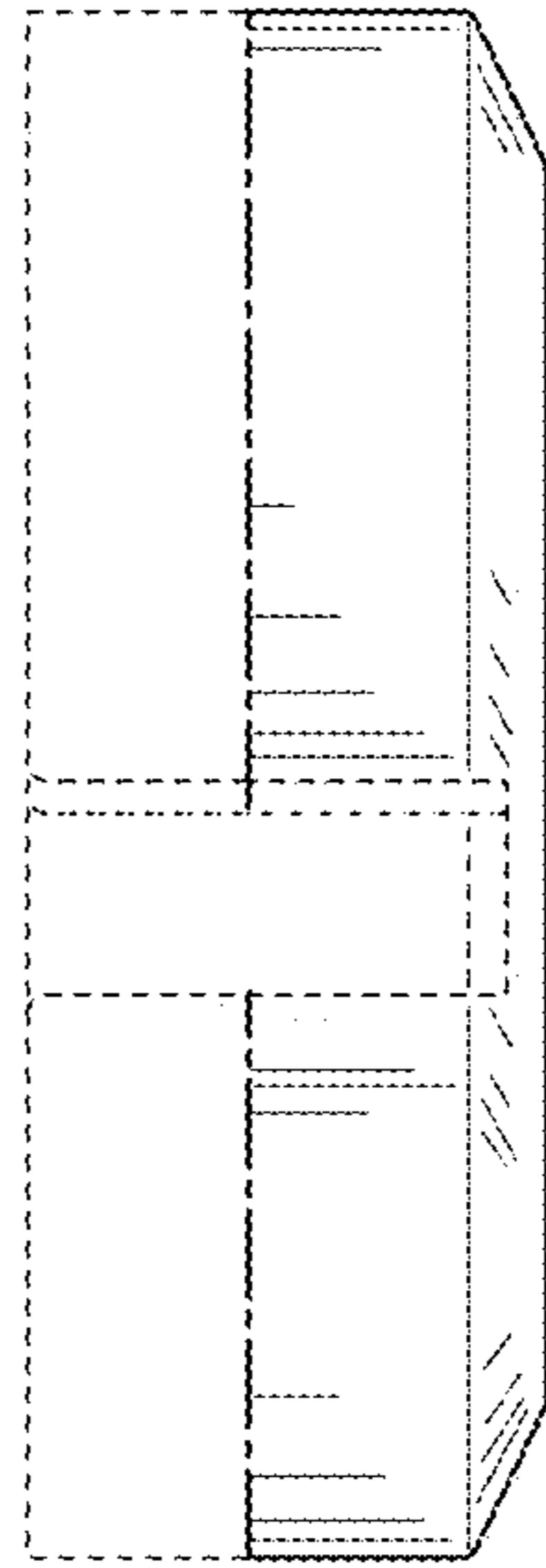


FIG. 3

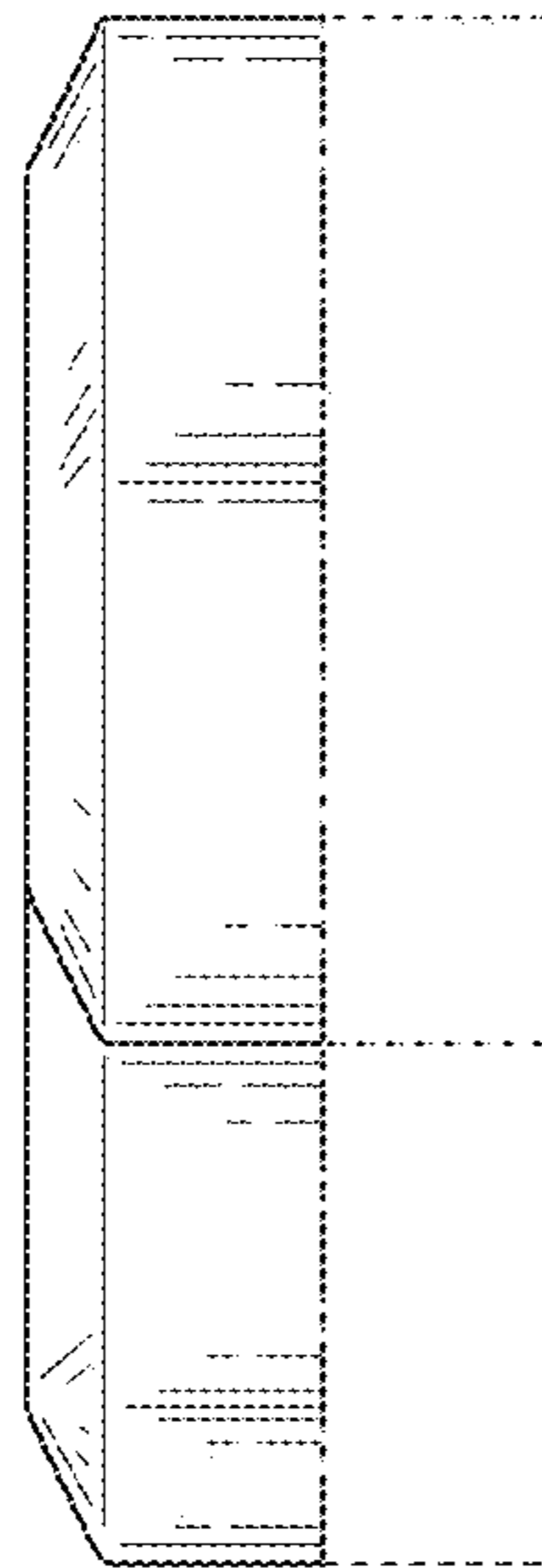


FIG. 4

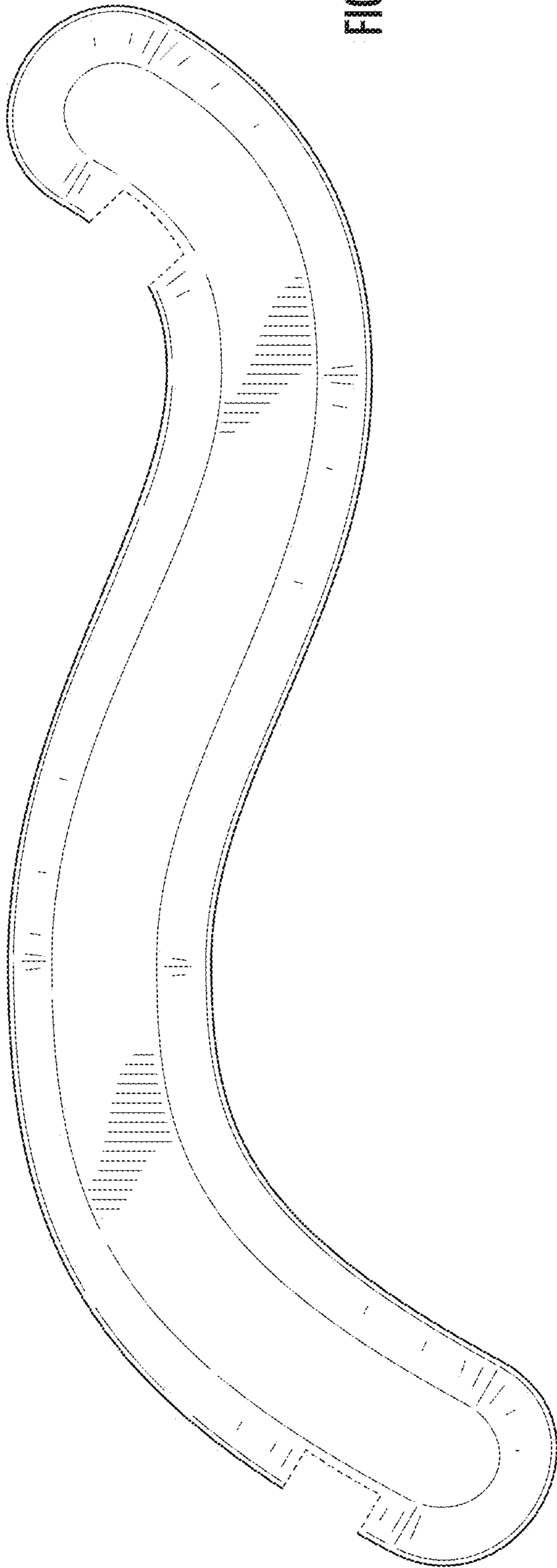


FIG. 5

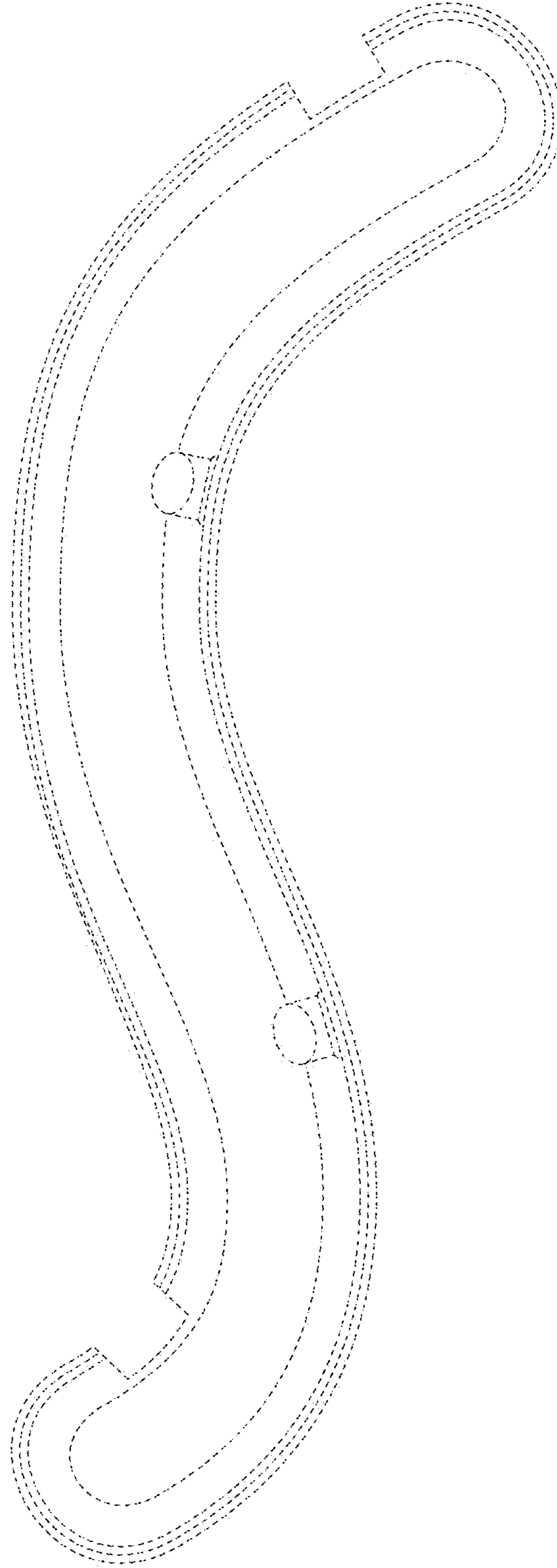


FIG. 6

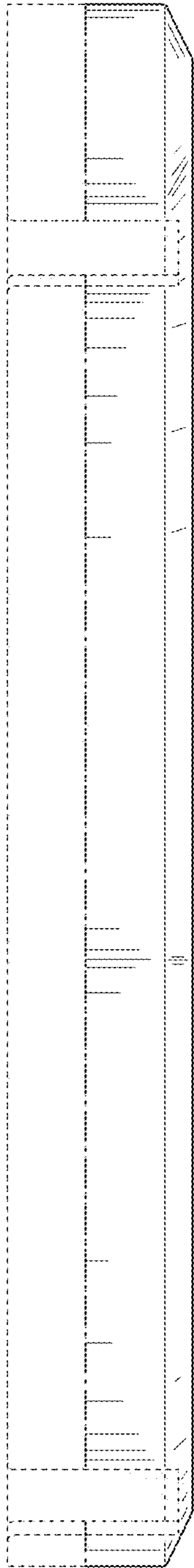


FIG. 7

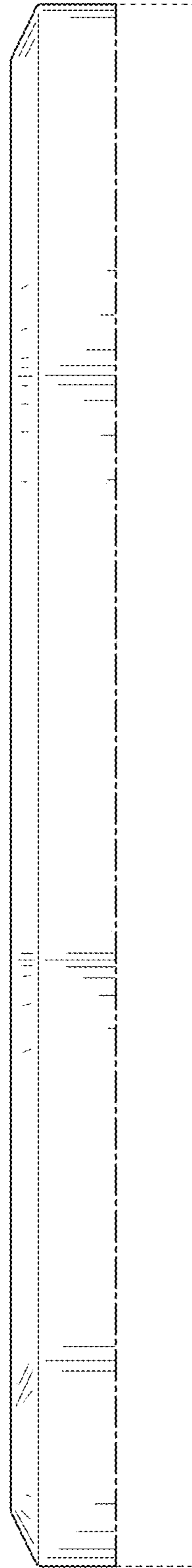


FIG. 8