



US00D901935S

(12) **United States Design Patent** (10) **Patent No.:** **US D901,935 S**
Yin (45) **Date of Patent:** **** Nov. 17, 2020**

(54) **MULTI FUNCTION KEY RACK**

D666,857 S * 9/2012 Goodman D6/566
D710,628 S * 8/2014 Goodman D6/566

(71) Applicant: **Hong Yin**, Zhejiang (CN)

* cited by examiner

(72) Inventor: **Hong Yin**, Zhejiang (CN)

Primary Examiner — Wan Laymon

Assistant Examiner — Mark Booker

(**) Term: **15 Years**

(74) *Attorney, Agent, or Firm* — Wayne & Ken, LLC;

Tony Hom

(21) Appl. No.: **29/678,527**

(57) **CLAIM**

(22) Filed: **Jan. 29, 2019**

The ornamental design for a multi function key rack, as shown and described.

(51) **LOC (12) Cl.** **06-04**

(52) **U.S. Cl.**

DESCRIPTION

USPC **D6/571**

(58) **Field of Classification Search**

USPC D6/571, 572, 566; D19/75–80, 86, 87,

D19/89–92; 206/215, 425, 556, 557;

211/10, 11, 42, 45, 50, 88.01, 126.1, 106

CPC A47G 29/10; Y10T 70/8811; B65D

85/8043; A47B 17/03

See application file for complete search history.

FIG. 1 is a perspective view of a multi function key rack showing my new design;

FIG. 2 is another perspective view thereof;

FIG. 3 is a front elevation view thereof;

FIG. 4 is a back elevation view thereof;

FIG. 5 is a left side view thereof;

FIG. 6 is a right side view thereof;

FIG. 7 is a top plan view thereof; and,

FIG. 8 is a bottom plan view thereof.

The broken lines shown in the figures represent portions of the the multi function key rack that form no part of the claimed design.

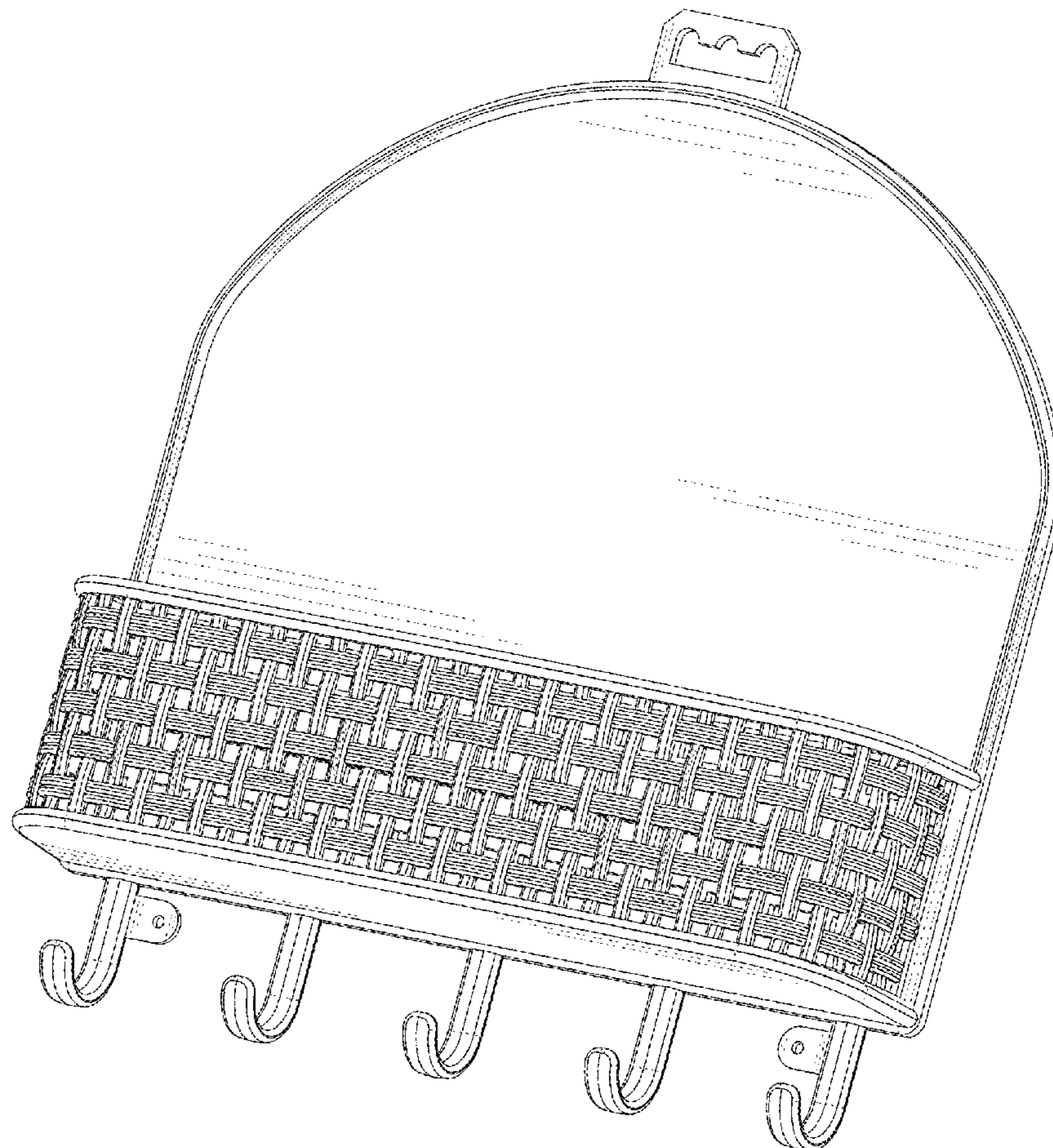
(56) **References Cited**

U.S. PATENT DOCUMENTS

D358,067 S * 5/1995 Graves D6/571

D484,345 S * 12/2003 Clucas D6/566

1 Claim, 8 Drawing Sheets



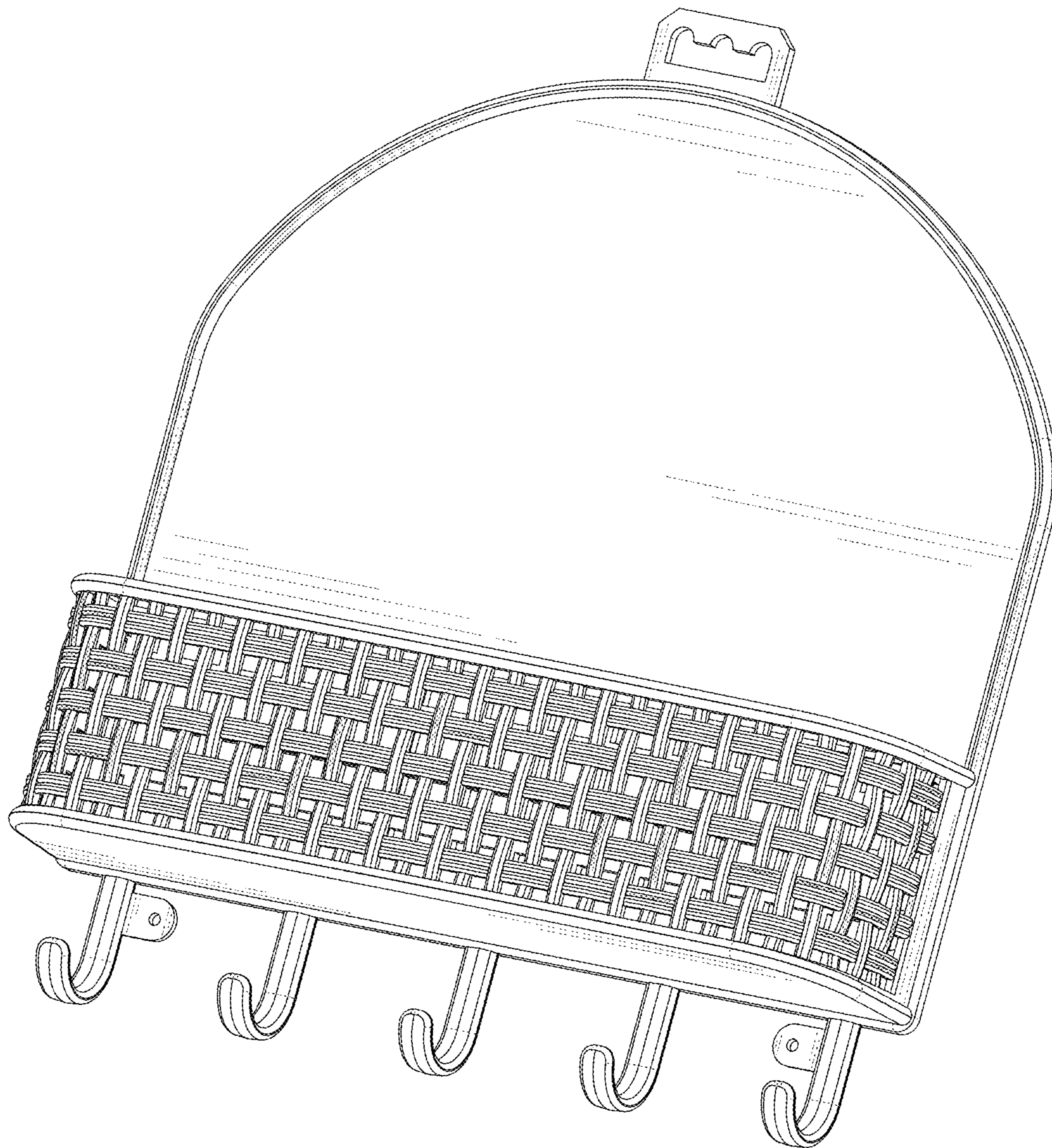


FIG. 1

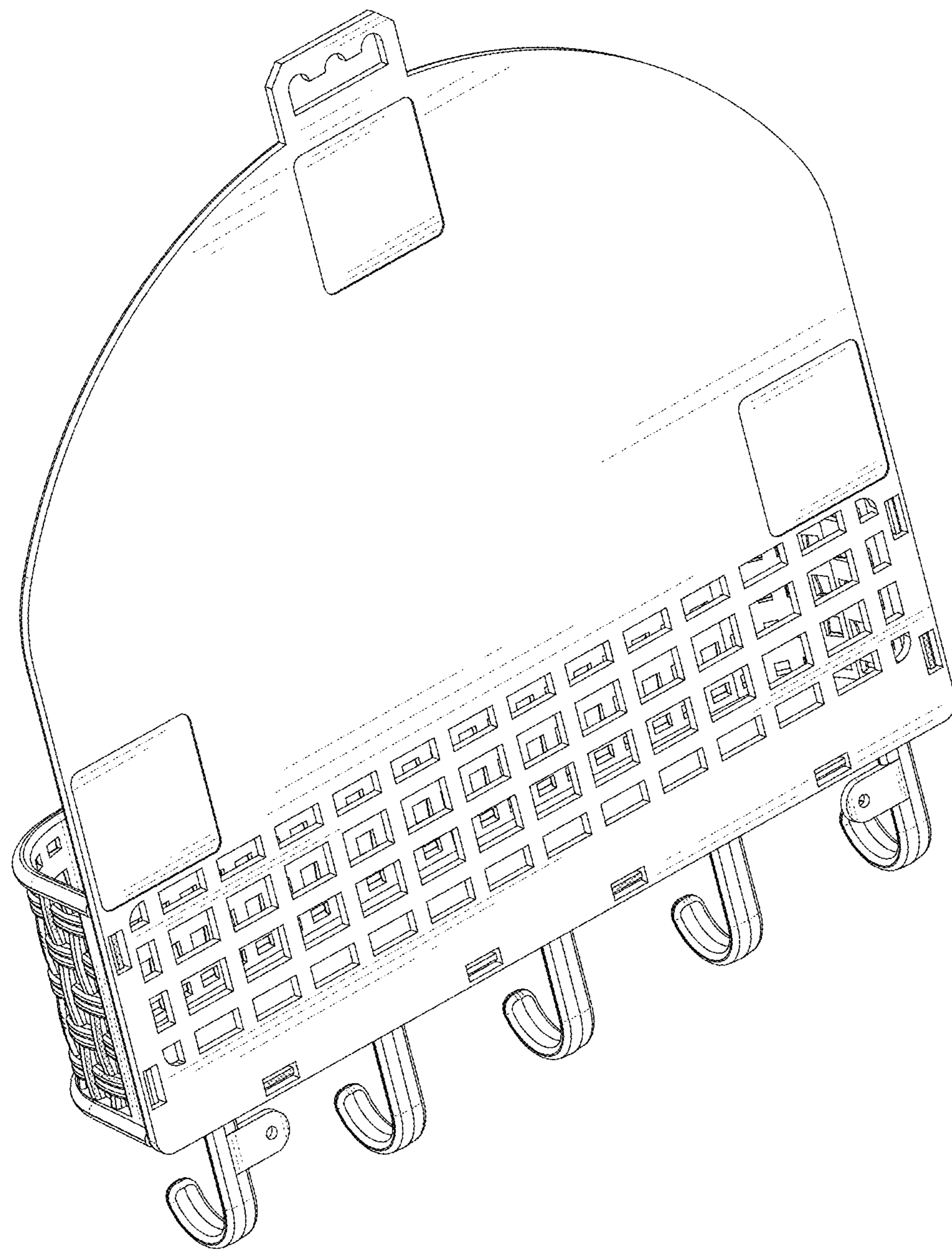


FIG. 2

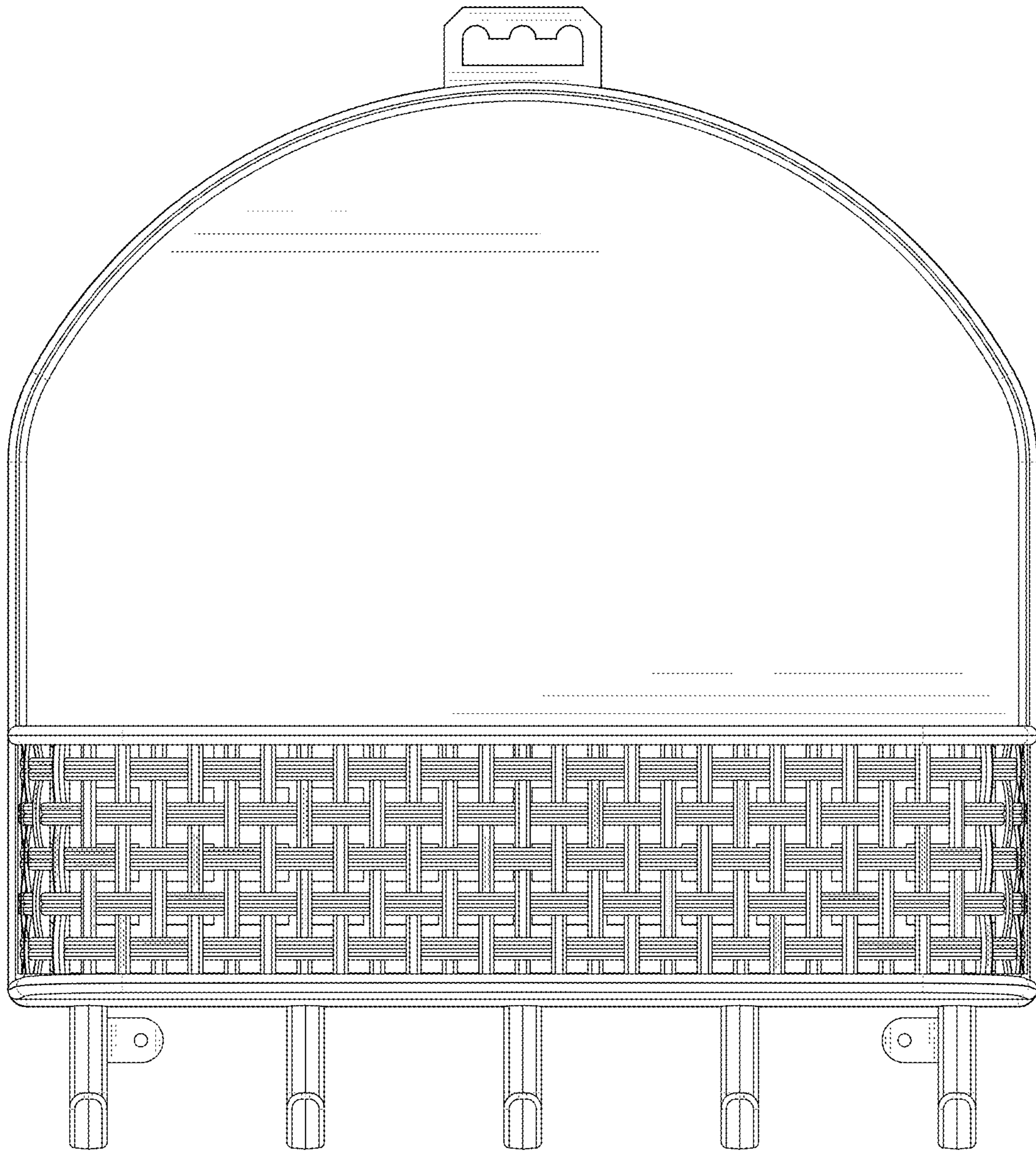


FIG. 3

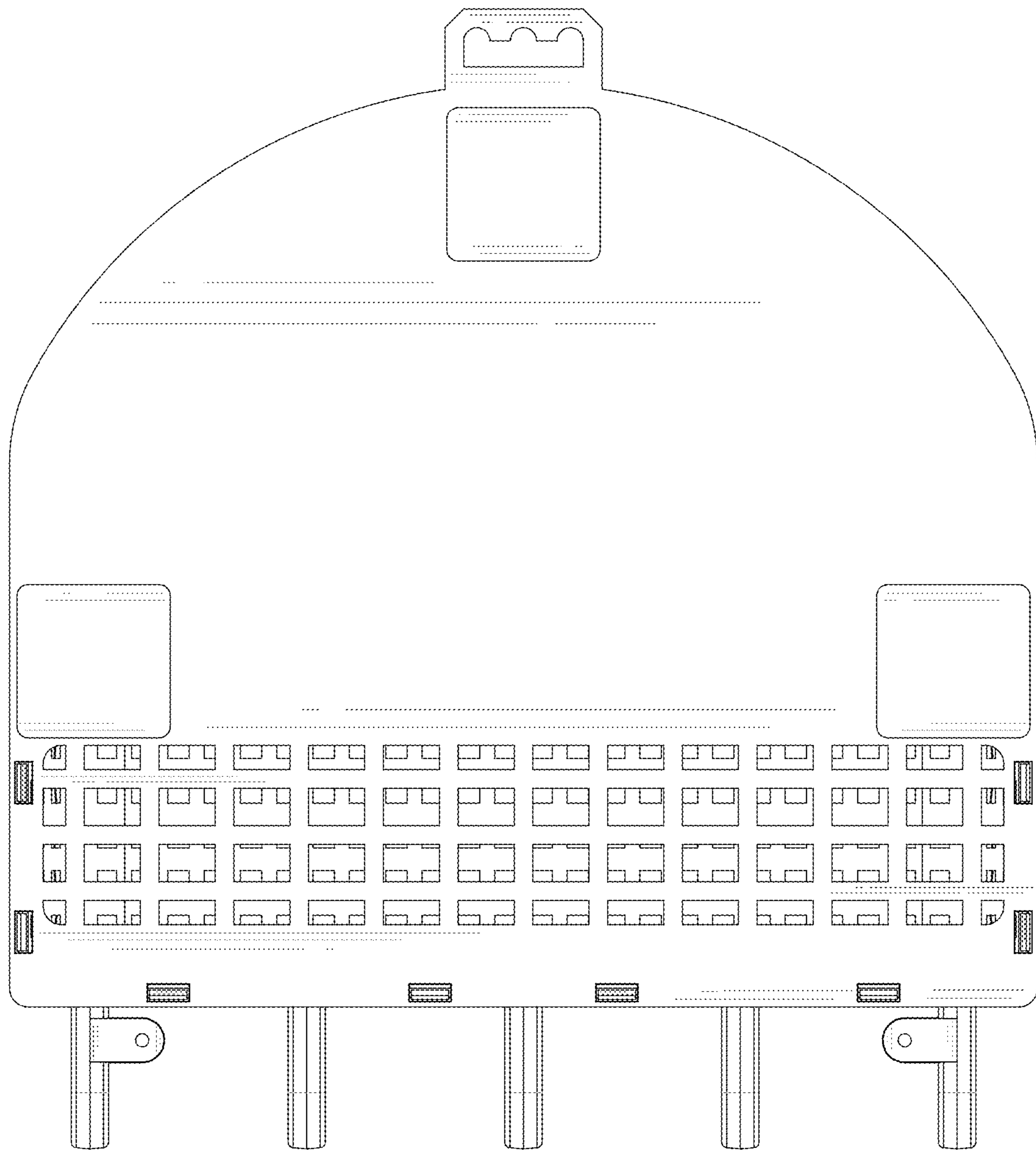


FIG. 4

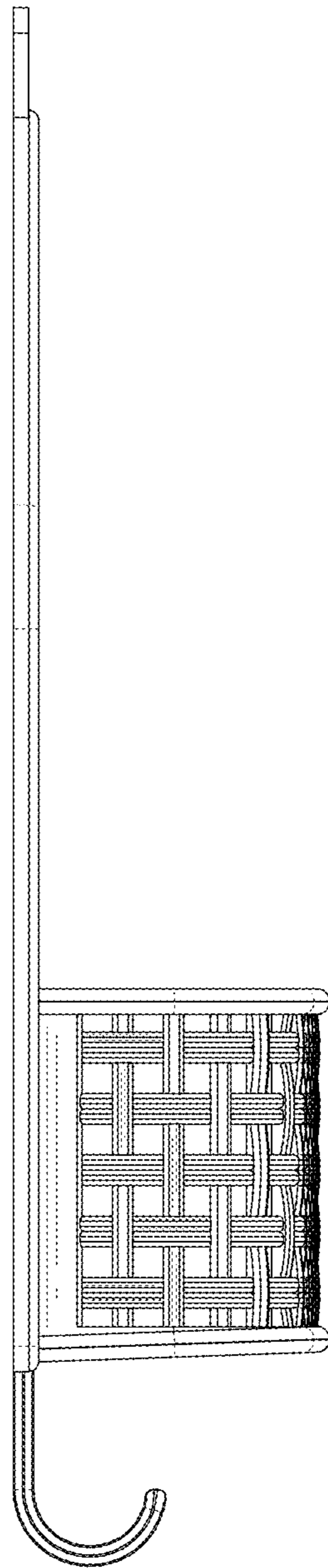


FIG. 5

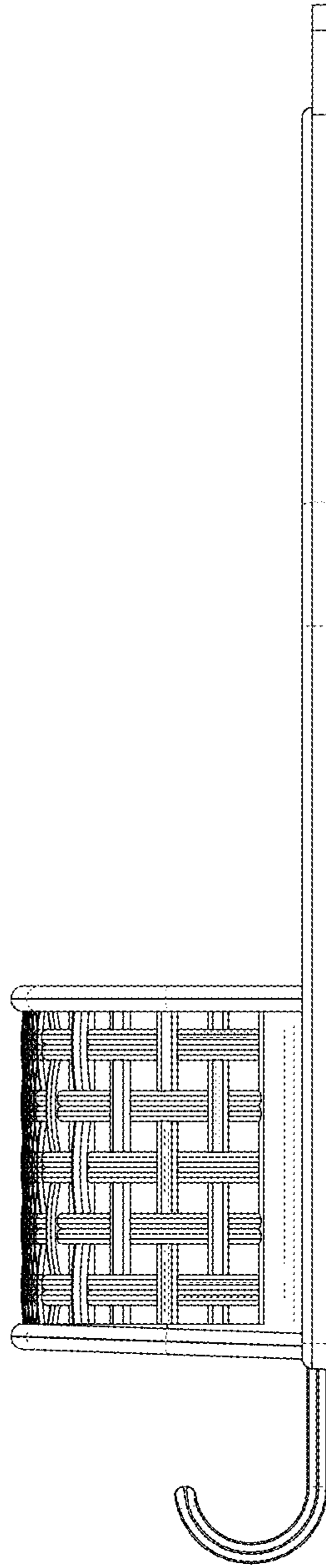


FIG. 6

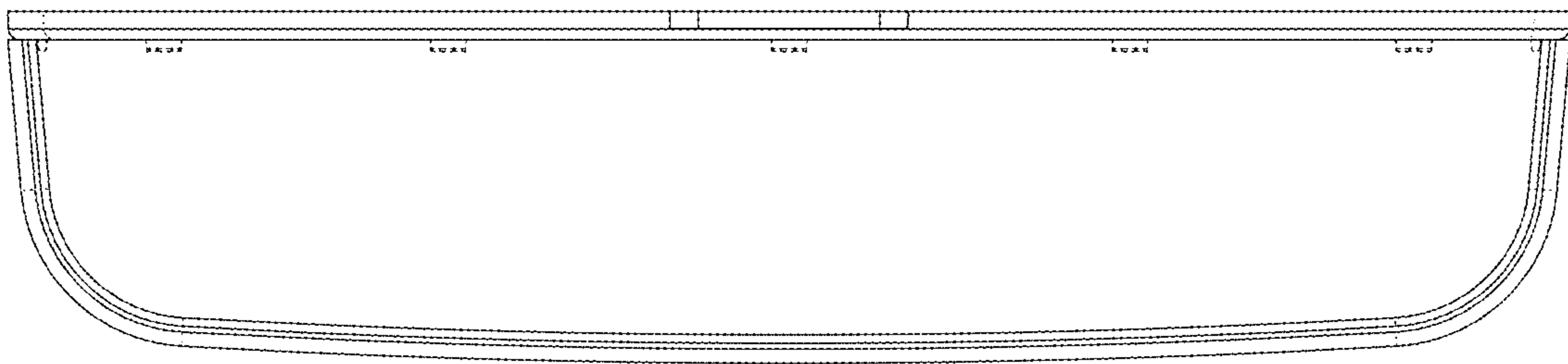


FIG. 7

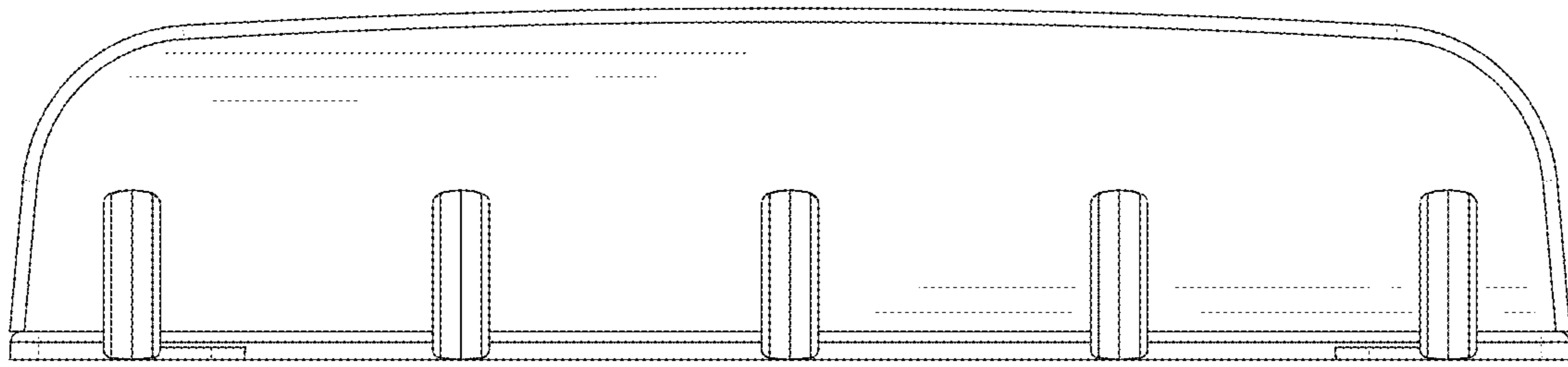


FIG. 8