



US00D901932S

(12) **United States Design Patent** (10) **Patent No.:** **US D901,932 S**
Beckerman (45) **Date of Patent:** **** Nov. 17, 2020**

(54) **DISPENSER**
(71) Applicant: **Colgate-Palmolive Company**, New York, NY (US)
(72) Inventor: **Scott Beckerman**, South Orange, NJ (US)
(73) Assignee: **Colgate-Palmolive Company**, New York, NY (US)

D527,936 S 9/2006 Sirkis
D607,249 S 1/2010 Lochen
D611,747 S 3/2010 Kramer et al.
D630,873 S 1/2011 Kuehneman et al.
D634,142 S 3/2011 Meyerhoffer
D634,143 S 3/2011 Burkett
D637,848 S 5/2011 Kramer et al.
D648,856 S * 11/2011 Landauer D24/185
D667,245 S * 9/2012 Hansen D6/523

(Continued)

Primary Examiner — Nathan M Johnston

(**) Term: **15 Years**
(21) Appl. No.: **29/698,493**
(22) Filed: **Jul. 17, 2019**

(57) **CLAIM**

The ornamental design for a dispenser, as shown and described.

Related U.S. Application Data

(62) Division of application No. 29/625,723, filed on Nov. 13, 2017.
(51) **LOC (12) Cl.** **23-02**
(52) **U.S. Cl.**
USPC **D6/545**
(58) **Field of Classification Search**
USPC D6/545, 515–523; 211/13.1, 16, 44, 211/49.1, 50, 59.2, 86.01; 206/389, 391; 221/282, 283; 222/173, 181.1; 312/34, 312/34.8, 34.22, 309.1
CPC A47K 5/14; A47K 5/1217; A47K 5/12; B05B 11/3087; B05B 7/0037
See application file for complete search history.

DESCRIPTION

FIG. 1 is a right front perspective view of a dispenser according to a first embodiment of the new design; FIG. 2 is a front elevational view thereof; FIG. 3 is a rear elevational view thereof; FIG. 4 is a right side elevational view thereof; FIG. 5 is a left side elevational view thereof; FIG. 6 is a top plan view thereof; FIG. 7 is a bottom plan view thereof; FIG. 8 is a right front perspective view of a dispenser according to a second embodiment of the new design; FIG. 9 is a front elevational view thereof; FIG. 10 is a rear elevational view thereof; FIG. 11 is a right side elevational view thereof; FIG. 12 is a left side elevational view thereof; FIG. 13 is a top plan view thereof; and, FIG. 14 is a bottom plan view thereof.

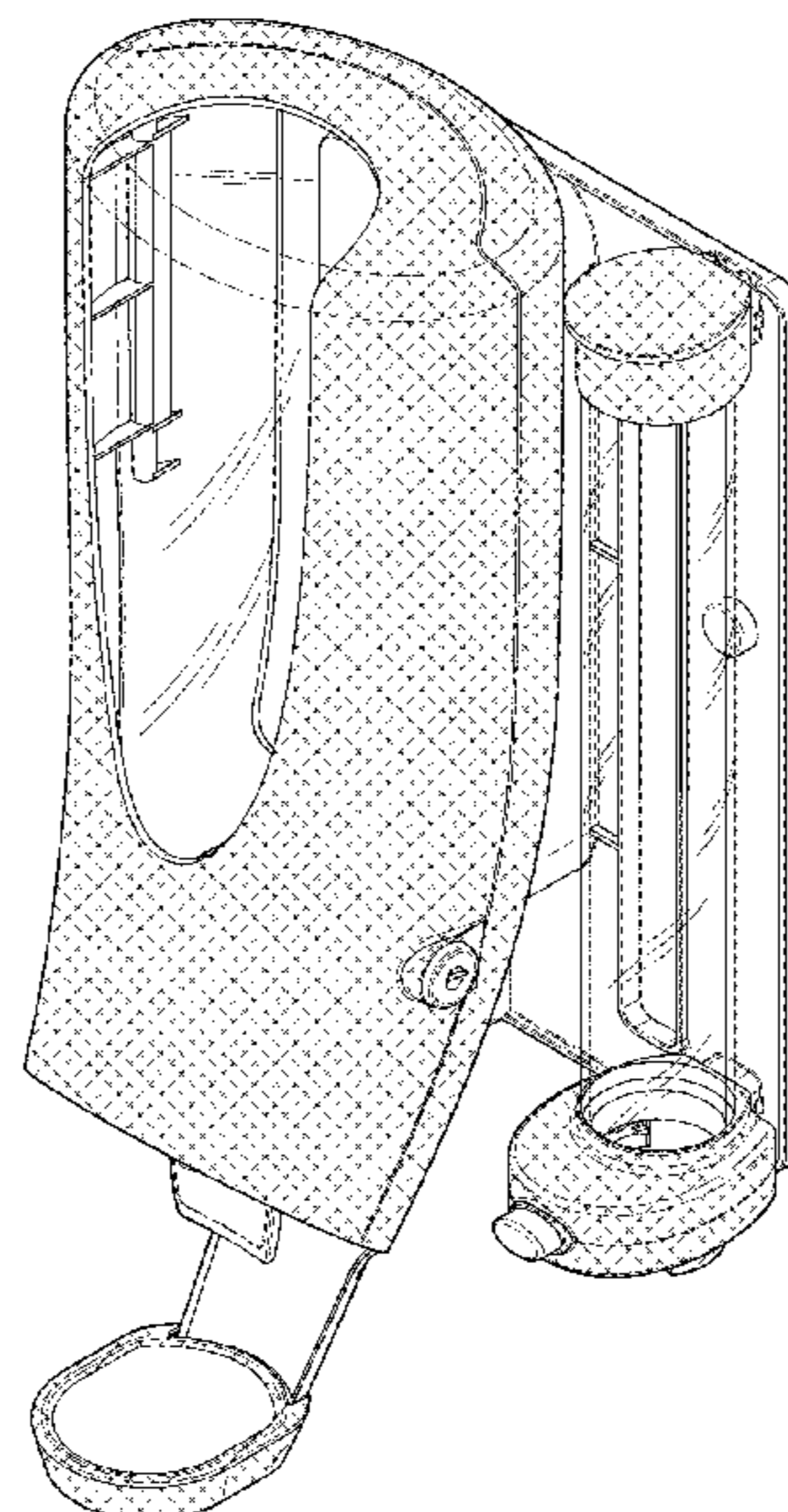
Oblique line shading shown in the drawings is included for the purpose of illustrating transparent and/or translucent surfaces. Different stippling patterns shown in the drawings are included for the purpose of illustrating different materials and/or colors that are used in the respective portions of the design.

(56) **References Cited**

U.S. PATENT DOCUMENTS

D194,344 S 1/1963 Parker
D203,066 S * 11/1965 Sawyer D7/589
D238,918 S 2/1976 Breen
D293,402 S 12/1987 Petterson
D373,037 S 8/1996 Lotti
D378,642 S * 4/1997 DeGennaro D6/542
D507,138 S * 7/2005 Hochtritt D6/518

1 Claim, 12 Drawing Sheets



(56)

References Cited

U.S. PATENT DOCUMENTS

D780,473 S * 3/2017 Brownley D6/515
D798,628 S * 10/2017 Zhang D6/515
9,850,059 B2 * 12/2017 Corney B65D 47/06
D809,845 S * 2/2018 Marchitello D7/306
D846,299 S * 4/2019 Harris D6/515
2005/0155983 A1 * 7/2005 Robinson B67D 3/0029
222/143
2006/0071012 A1 * 4/2006 Reinsel A47K 10/425
221/59
2008/0223877 A1 * 9/2008 Gevorgian G01F 11/18
222/173
2015/0083754 A1 3/2015 Proper et al.

* cited by examiner

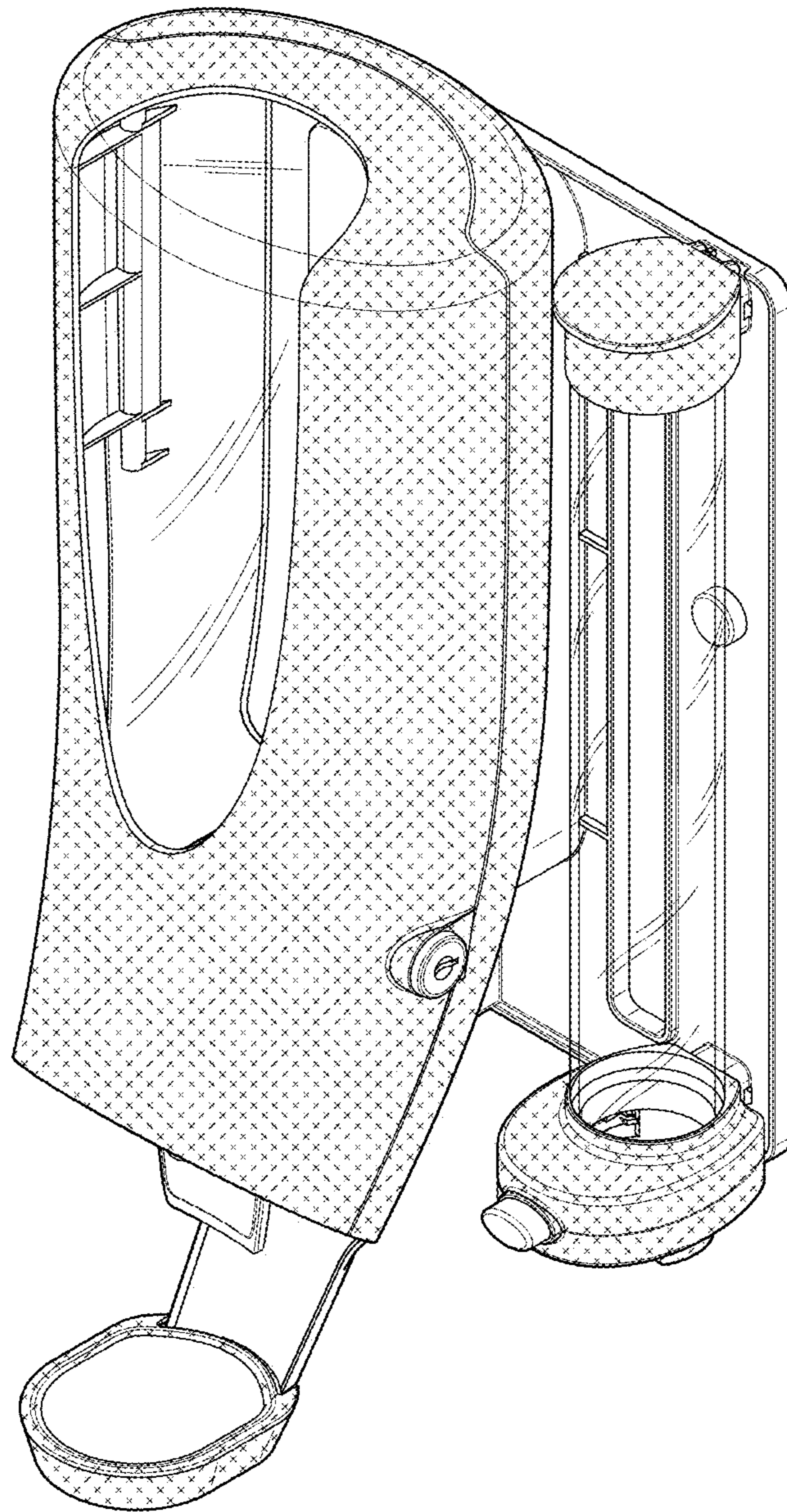


FIG. 1

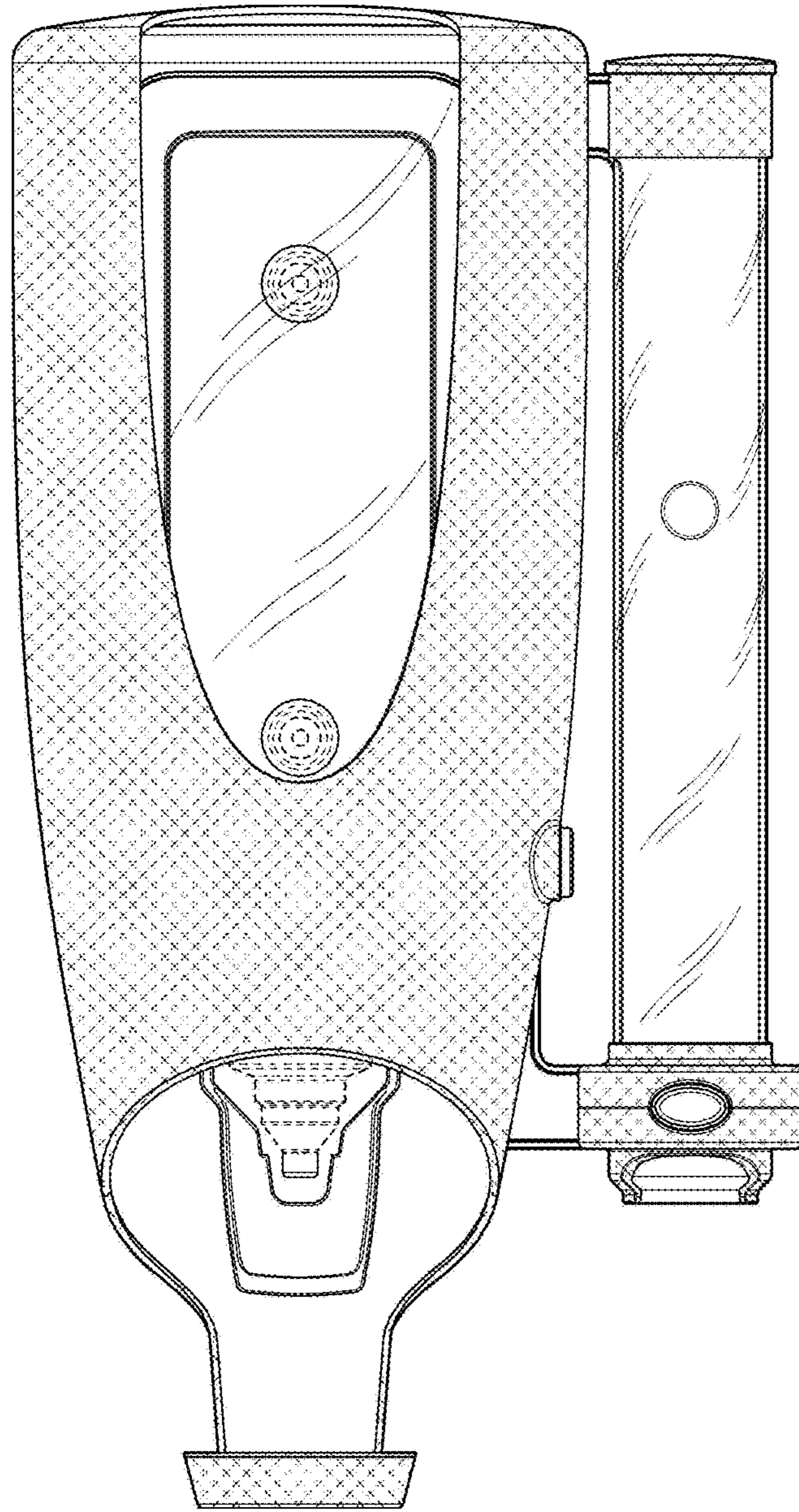


FIG. 2

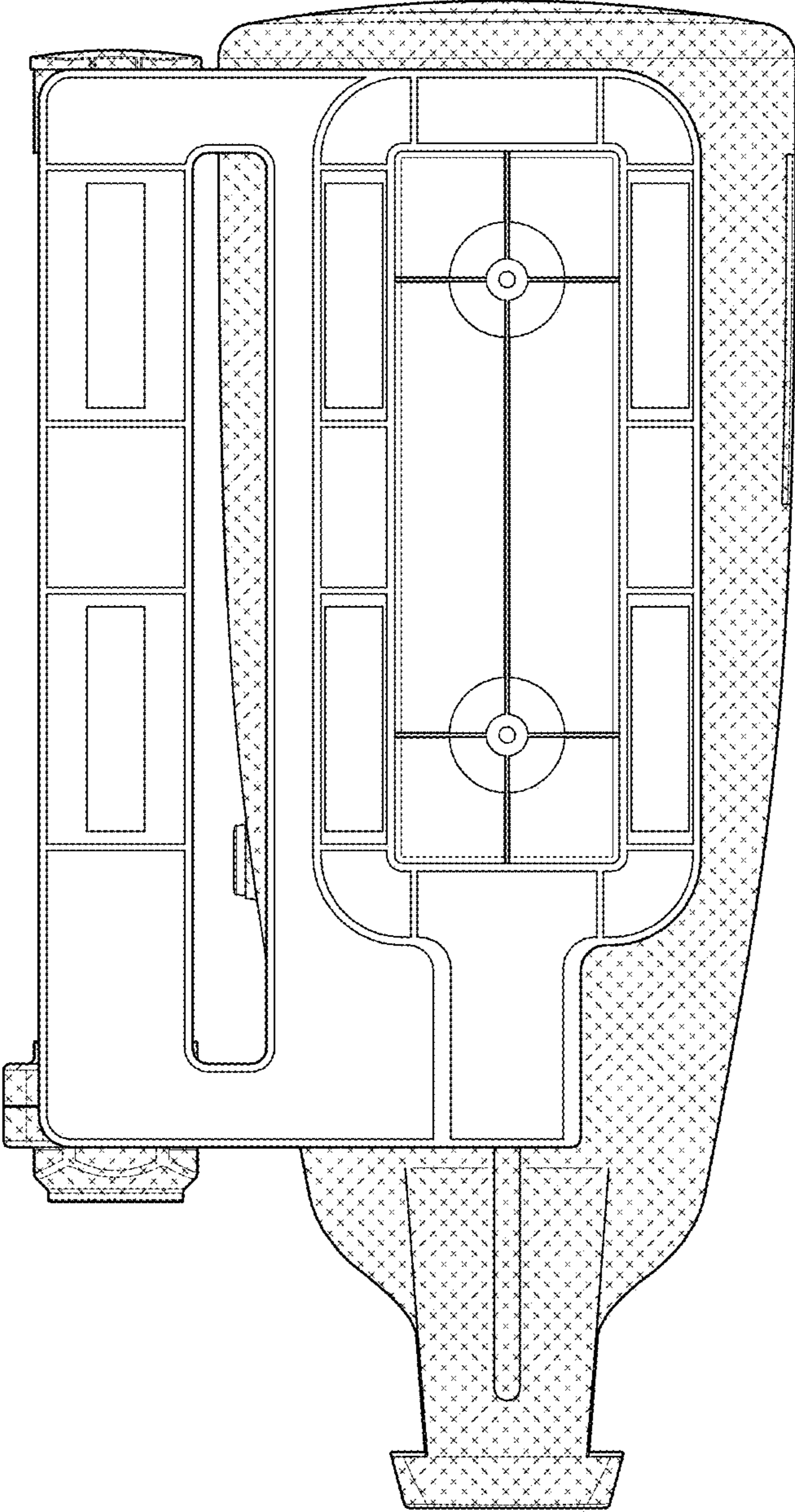


FIG. 3

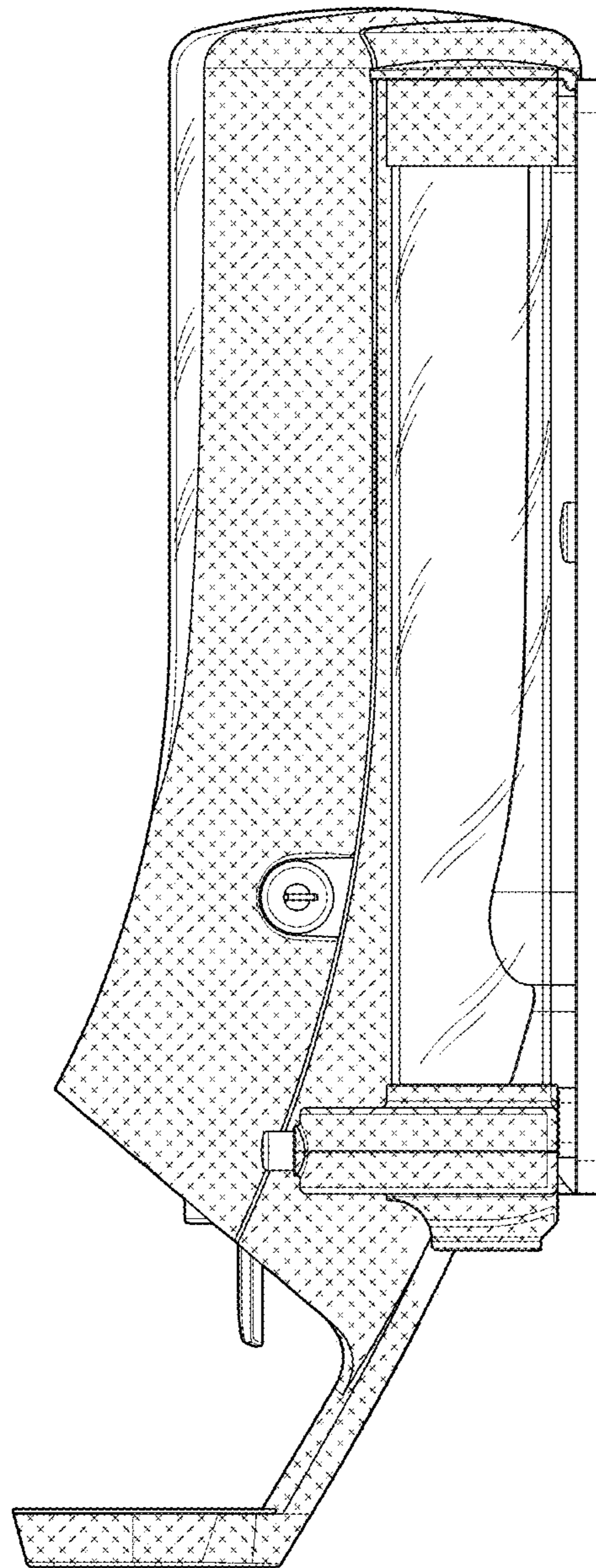


FIG. 4

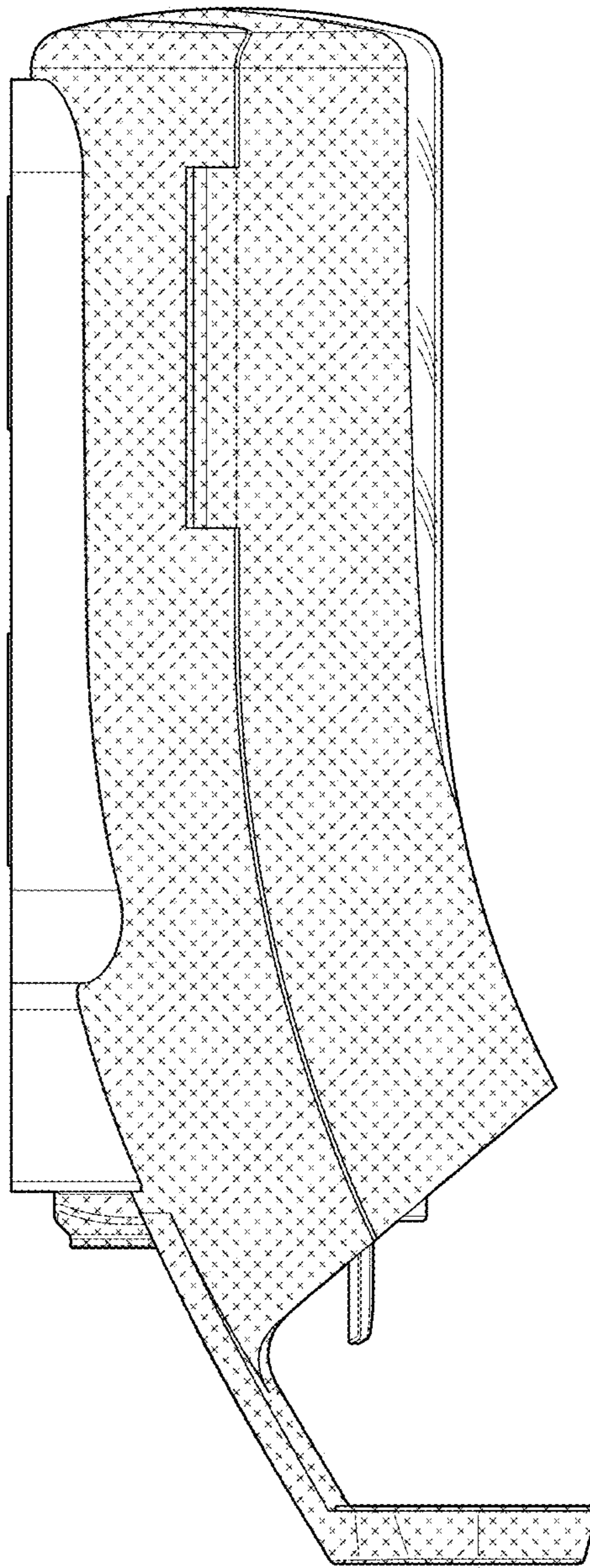


FIG. 5

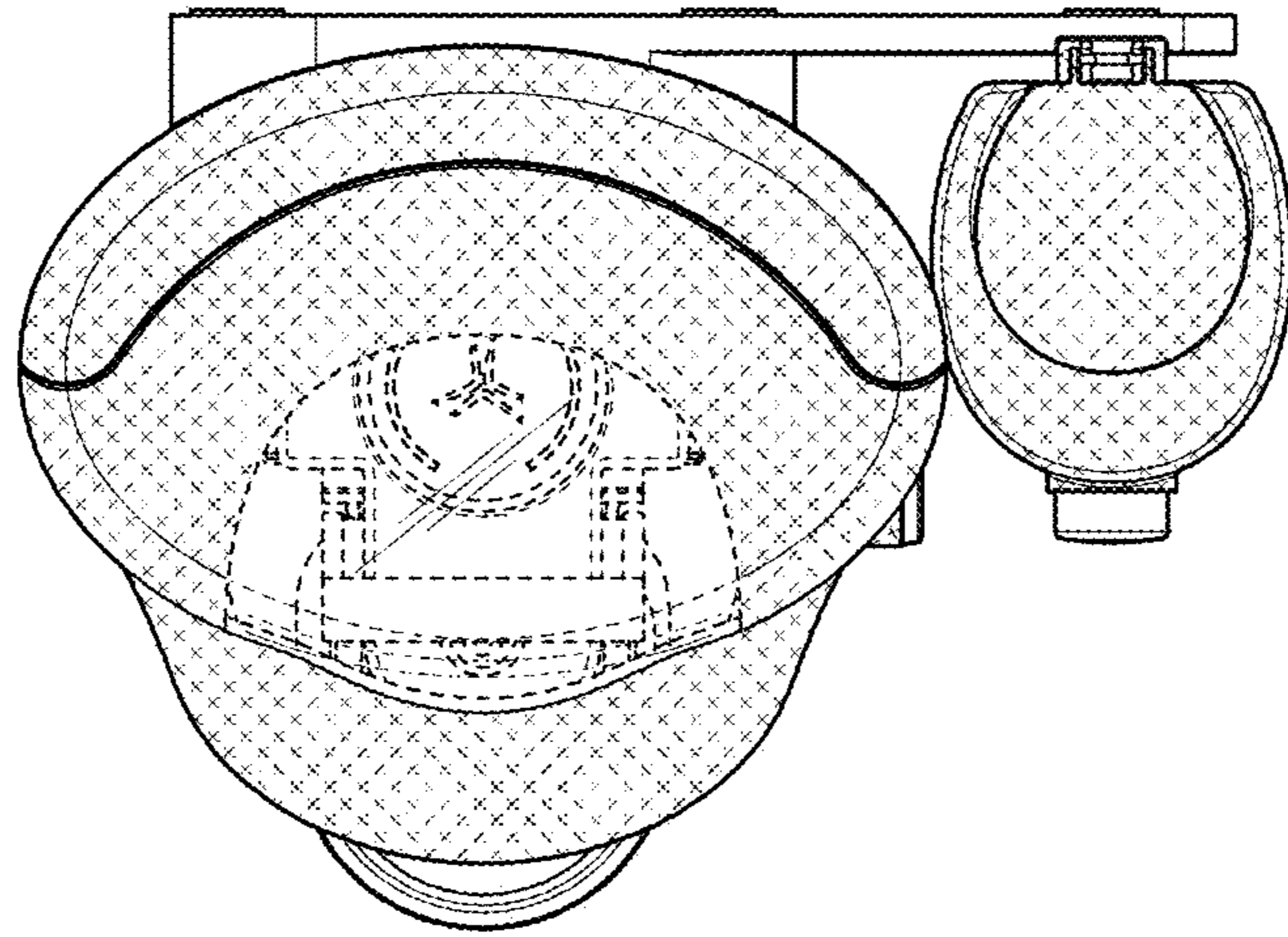


FIG. 6

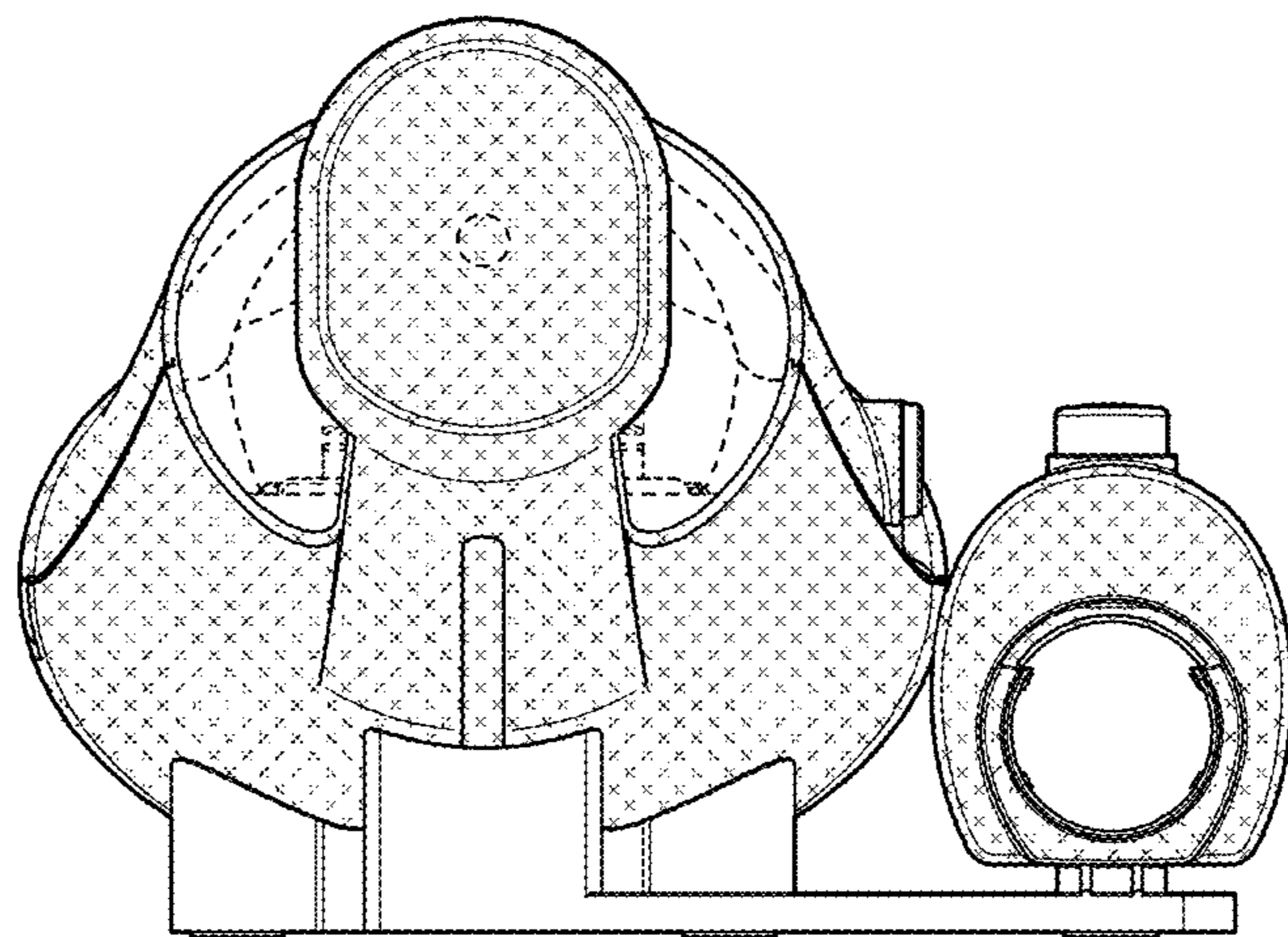


FIG. 7

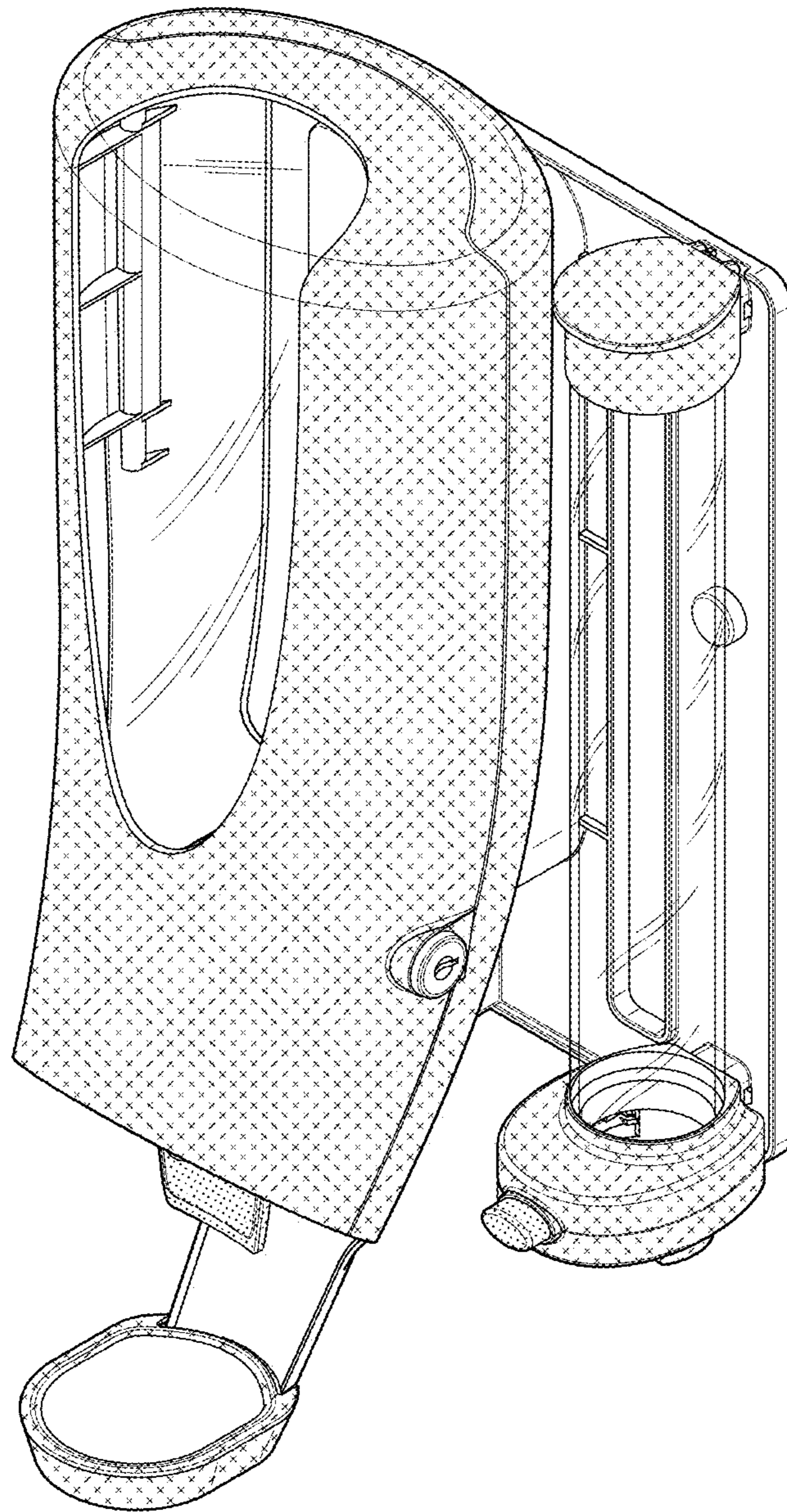


FIG. 8

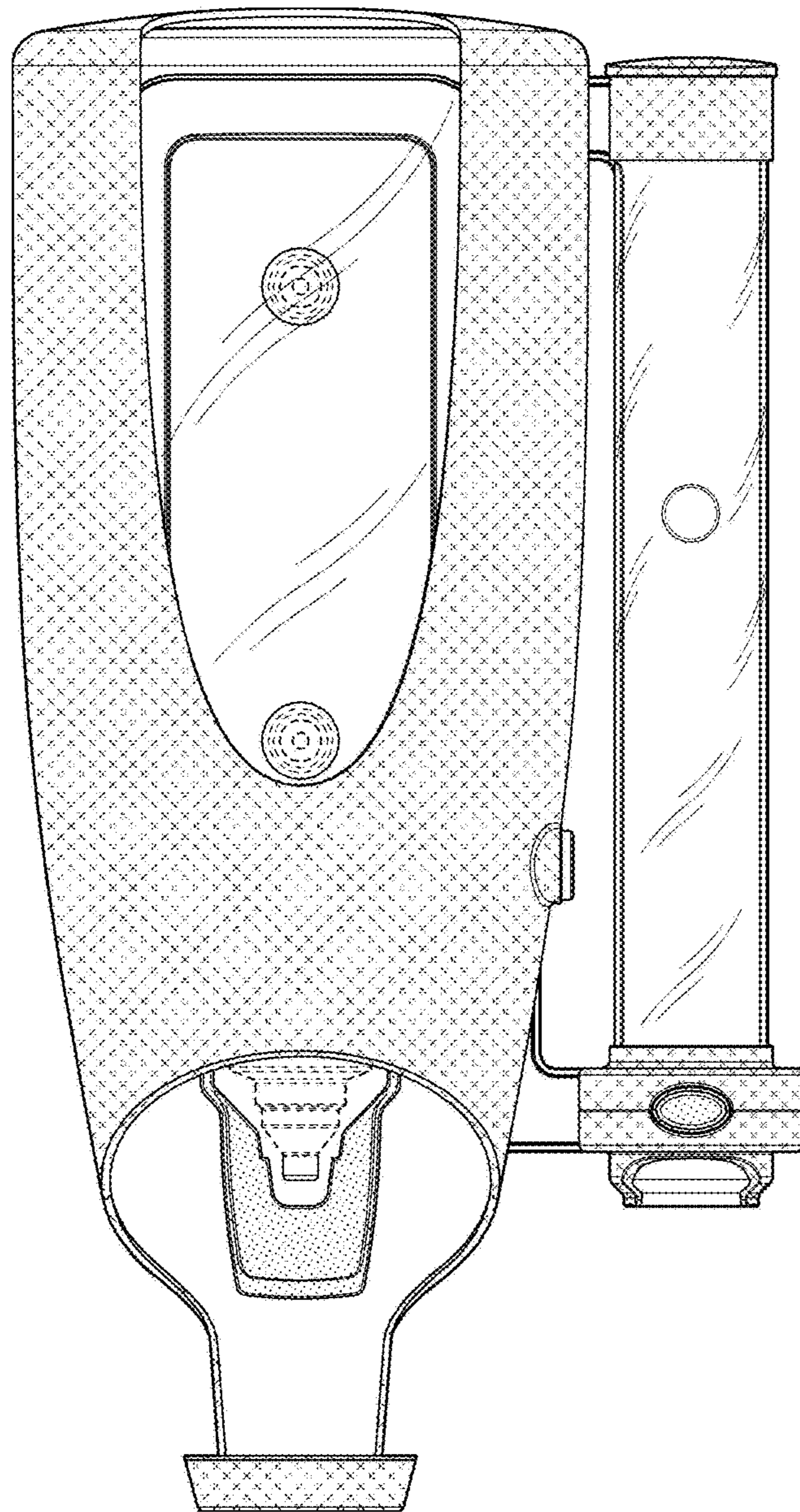


FIG. 9

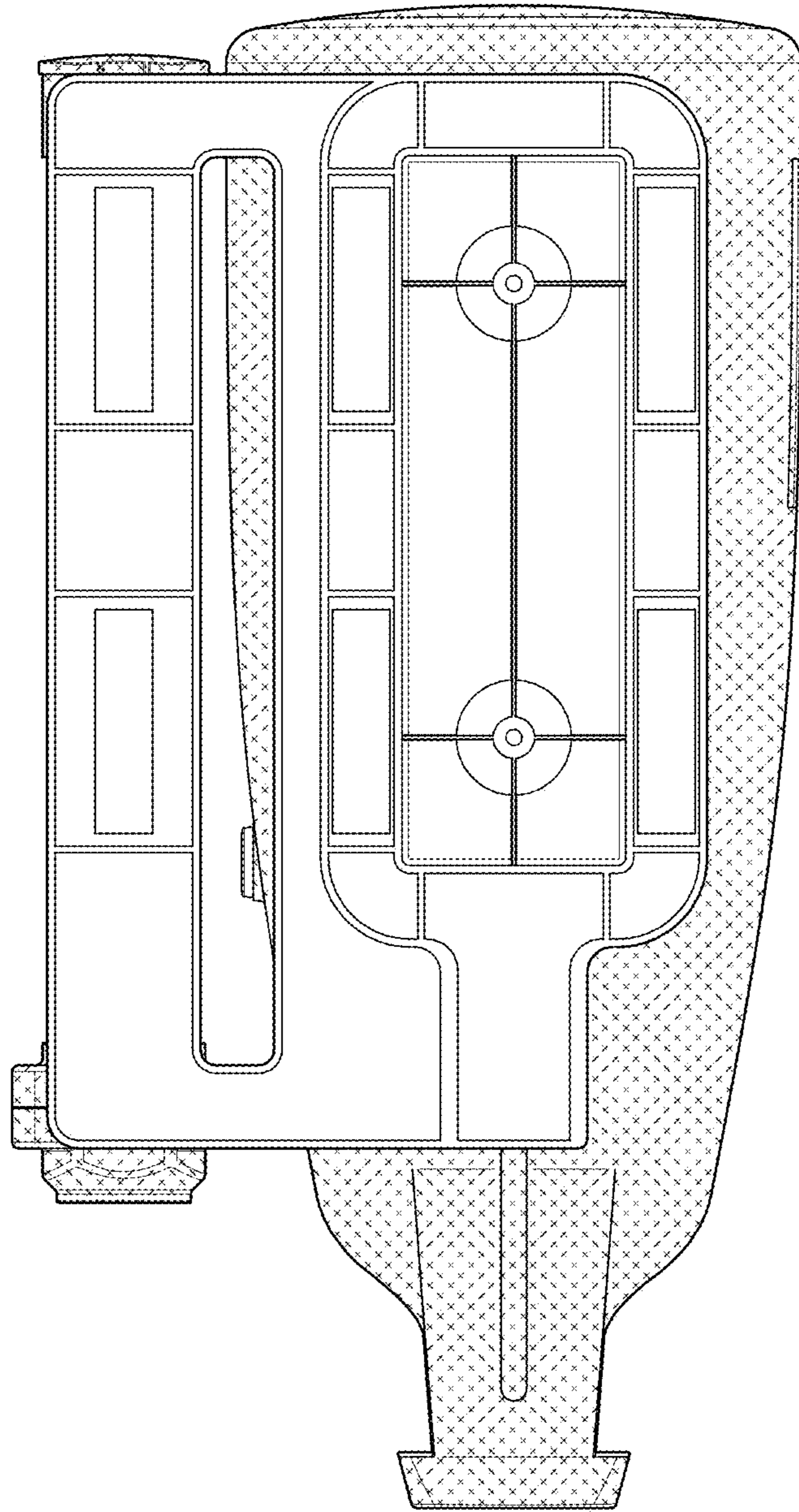


FIG. 10

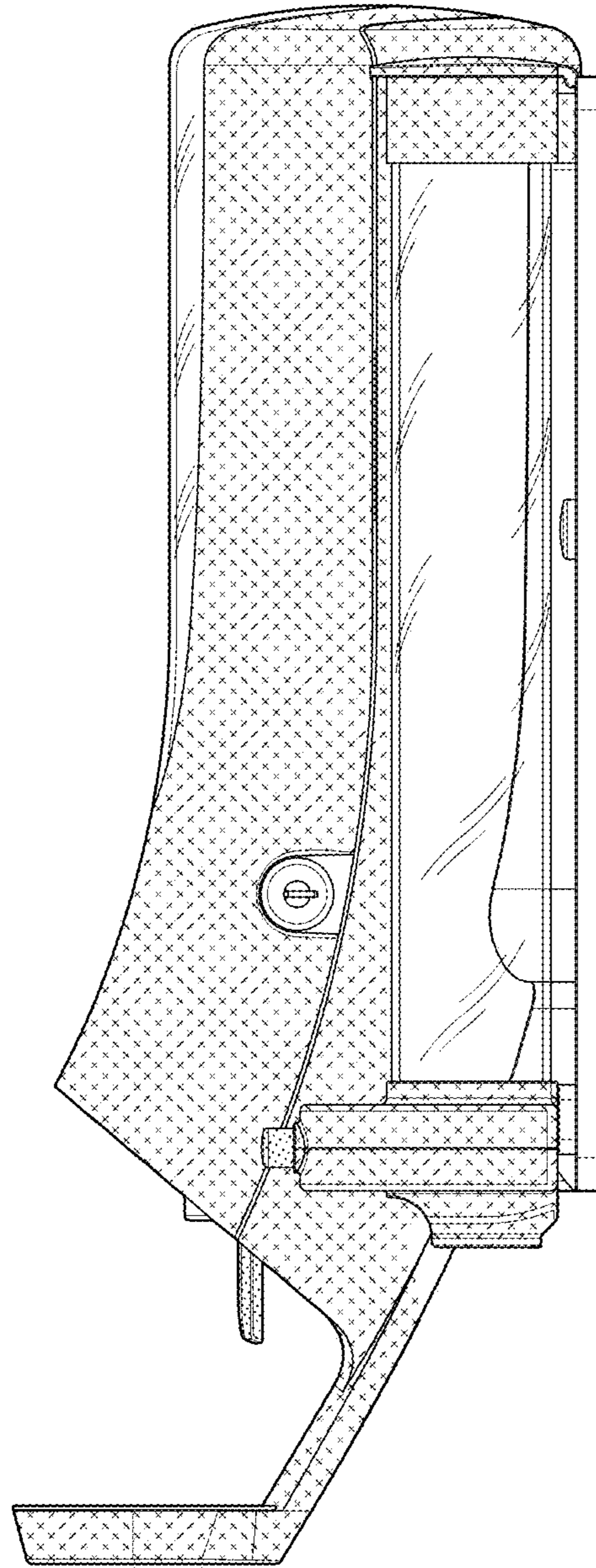


FIG. 11

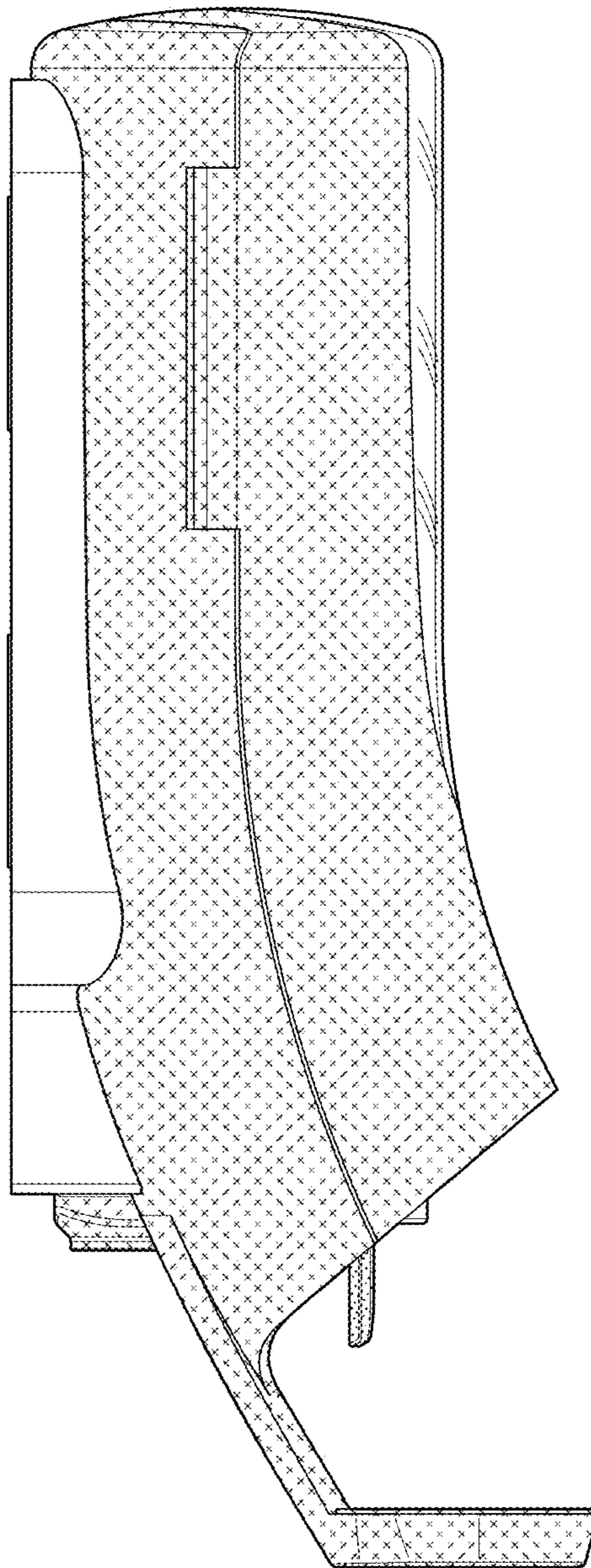


FIG. 12

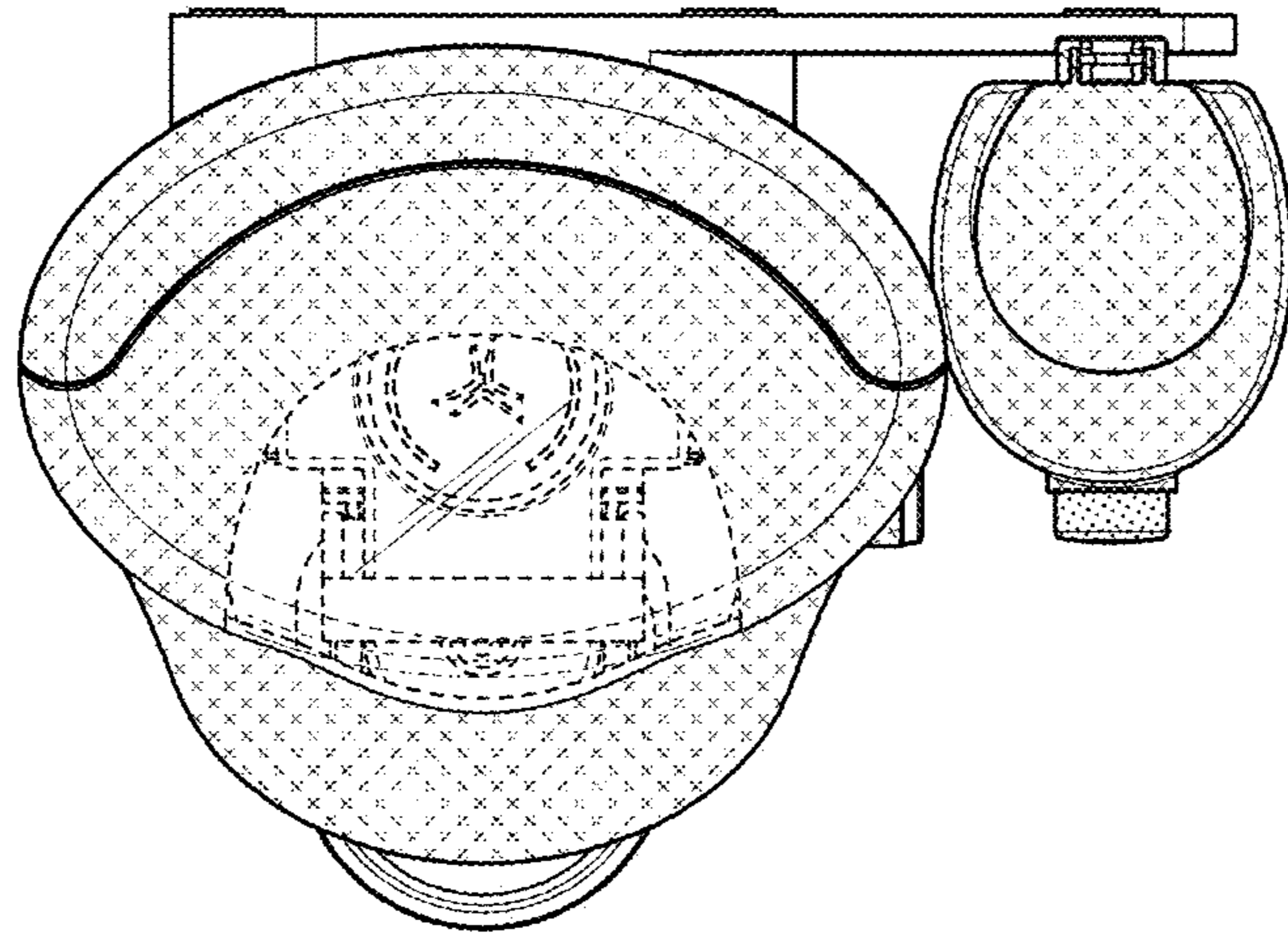


FIG. 13

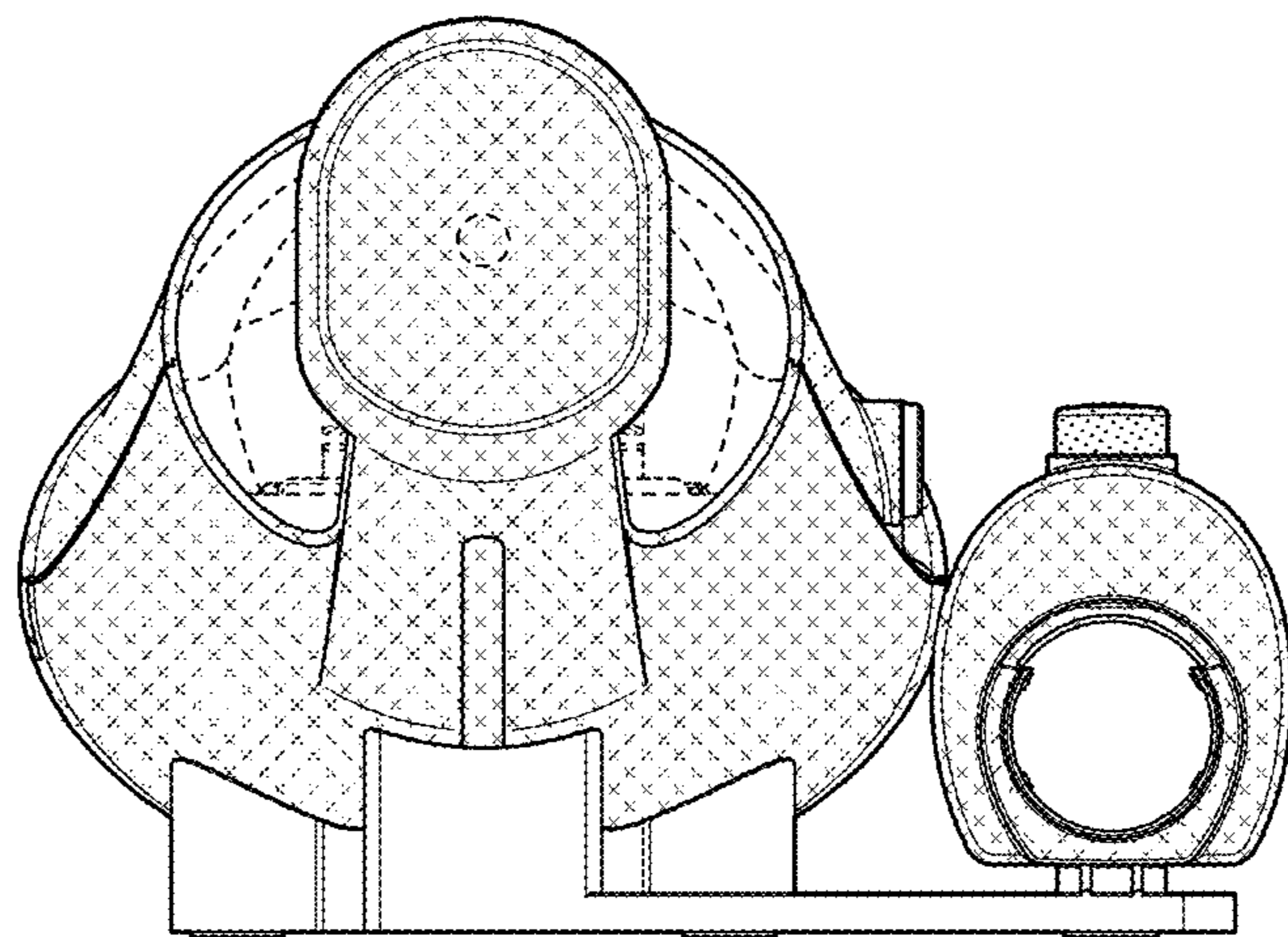


FIG. 14