



US00D901929S

(12) **United States Design Patent** (10) **Patent No.:** **US D901,929 S**  
**McCune et al.** (45) **Date of Patent:** **\*\* \*Nov. 17, 2020**

(54) **SOAP HOLDING POUCH**  
(71) Applicants: **John McCune**, Richmond, VA (US);  
**Sara Cutler**, Richmond, VA (US)  
(72) Inventors: **John McCune**, Richmond, VA (US);  
**Sara Cutler**, Richmond, VA (US)  
(\* ) Notice: This patent is subject to a terminal disclaimer.  
(\*\*) Term: **15 Years**  
(21) Appl. No.: **29/594,114**  
(22) Filed: **Feb. 15, 2017**  
(51) **LOC (12) Cl.** ..... **23-02**  
(52) **U.S. Cl.**  
USPC ..... **D6/540**  
(58) **Field of Classification Search**  
USPC ..... D6/525, 524, 536-537, 540, 566, 567,  
D6/320, 533; 211/13.1, 74, 71.01, 86.01,  
211/75, 88.01, 90.01, 90.03, 106, 119,  
211/126.1, 133.5, 181.1, 134, 87.01;  
D3/306; D32/55; D7/637;  
248/206.2-206.3  
CPC . A47K 1/09; A47K 1/08; A47K 3/281; A47K  
3/004; A47K 5/03; A47K 7/024; A47K  
2201/02; F16B 47/00; F16B 11/006;  
A47B 96/022; A47B 95/008; A47B  
96/024; A46B 2200/1006  
See application file for complete search history.

5,022,517 A 6/1991 Benitez  
5,031,759 A 7/1991 Ogilvie  
D339,017 S \* 9/1993 Goodman ..... D6/567  
5,462,378 A 10/1995 Webb  
D365,714 S \* 1/1996 Masello ..... D6/526  
6,082,573 A \* 7/2000 Hofman ..... A47K 3/281  
220/480  
D490,857 S \* 6/2004 Snell ..... D19/78  
D520,286 S \* 5/2006 Chen ..... D6/553  
D532,235 S \* 11/2006 Snell ..... D6/567  
D614,427 S \* 4/2010 Nejad ..... D6/553  
D704,949 S \* 5/2014 Rodriguez ..... D6/513  
D725,933 S \* 4/2015 Balogh ..... D6/513  
D725,935 S \* 4/2015 Balogh ..... D6/513  
D783,304 S \* 4/2017 Gray ..... D6/515

\* cited by examiner

Primary Examiner — Nathan M Johnston

(57) **CLAIM**

The ornamental design for a soap holding pouch, as shown and described.

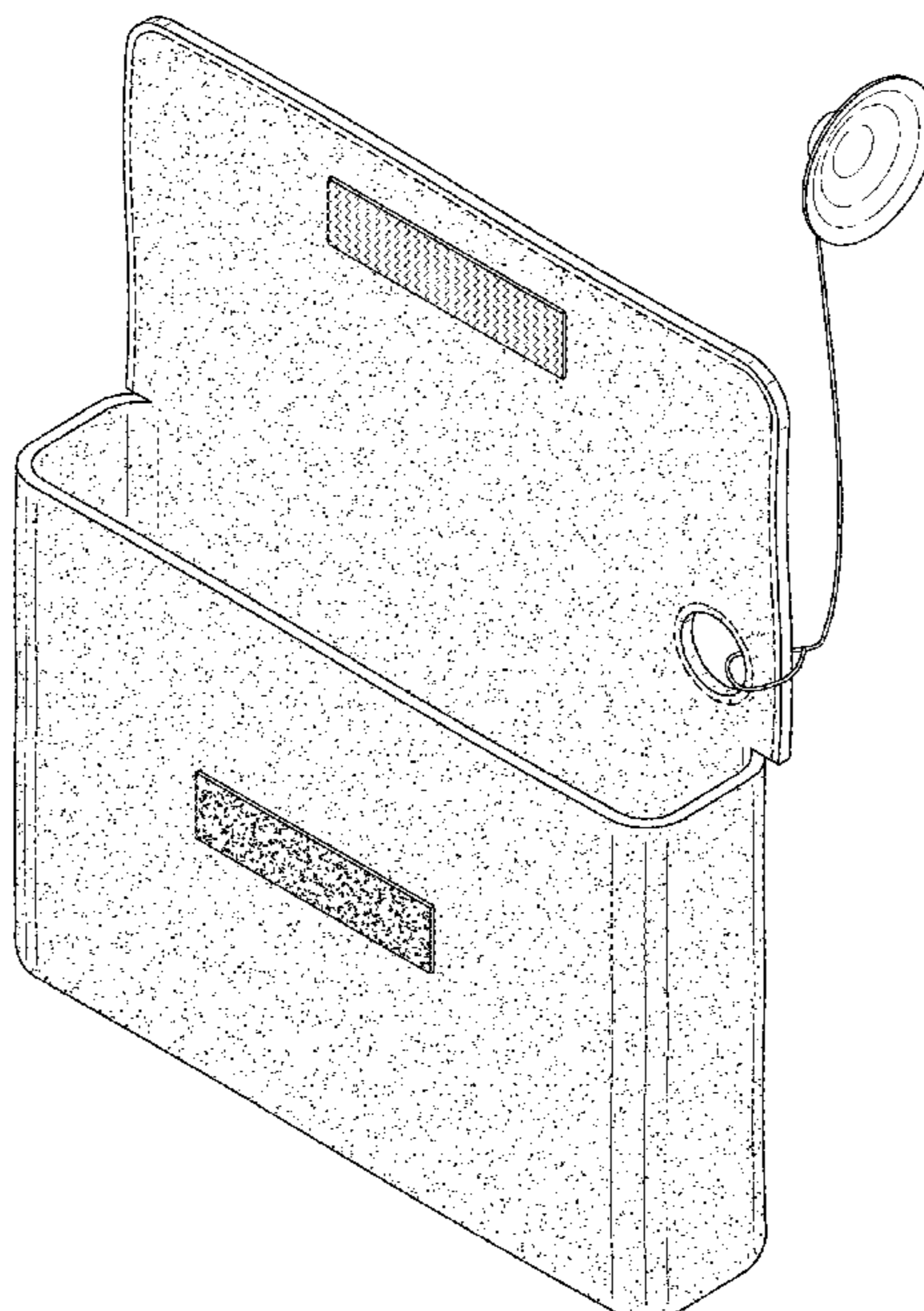
**DESCRIPTION**

FIG. 1 is a front elevation view of a soap holding pouch showing my new design;  
FIG. 2 is a rear elevation view thereof;  
FIG. 3 is a right side elevation view thereof;  
FIG. 4 is a left side elevation view thereof;  
FIG. 5 is a top plan view thereof;  
FIG. 6 is a bottom plan view thereof;  
FIG. 7 is an isometric view thereof; and,  
FIG. 8 is an in use view thereof showing the attachability of a suction cup to a shower wall.  
The dashed lines within the boundaries of the claimed invention are stitching and form part of the claimed design. The dash-dot-dot lines in FIG. 8 depict environmental subject matter only and form no part of the claimed design.

(56) **References Cited**  
U.S. PATENT DOCUMENTS

D293,182 S \* 12/1987 Carter ..... D6/518  
D308,784 S \* 6/1990 Liptak ..... D6/553

**1 Claim, 6 Drawing Sheets**



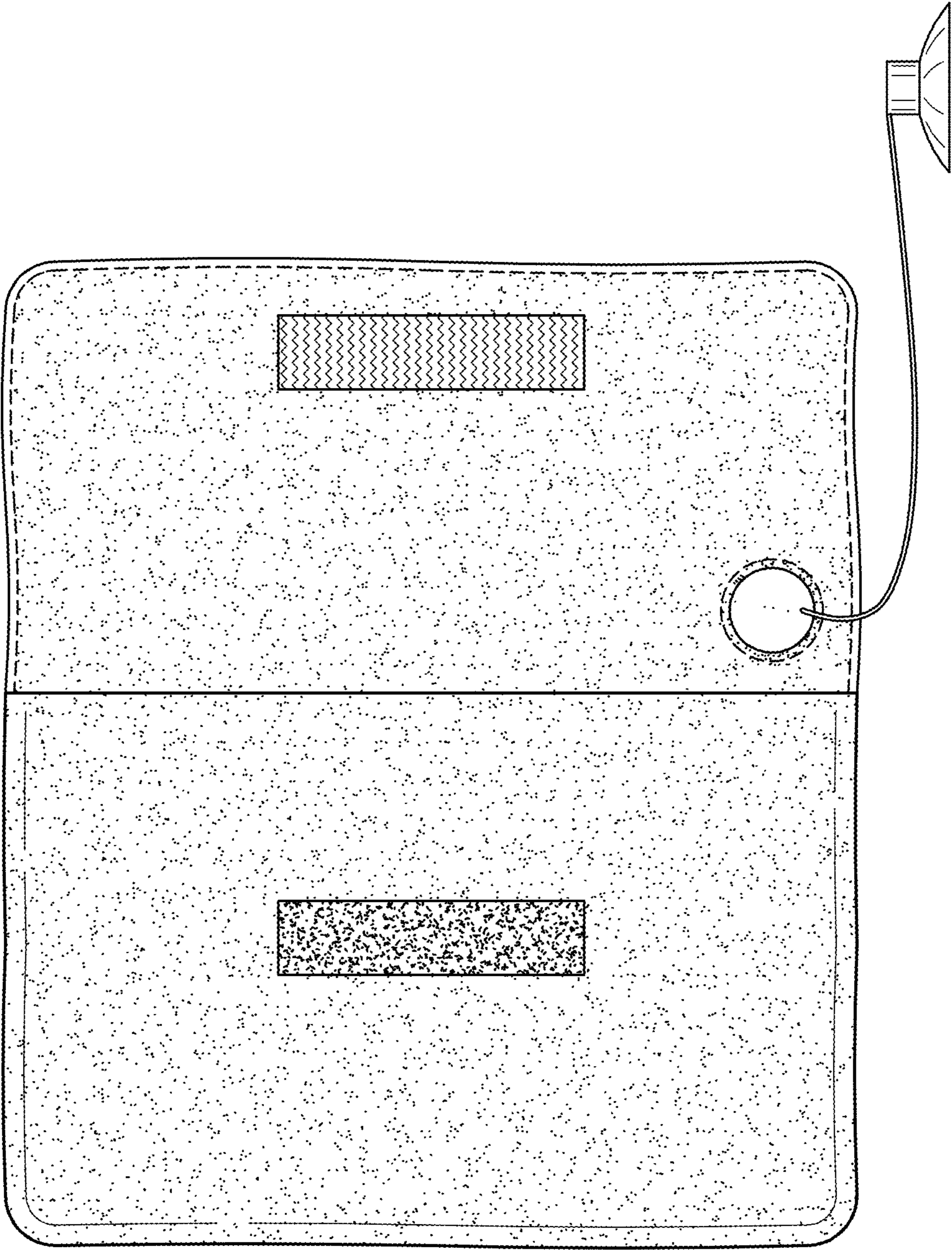


FIG. 1



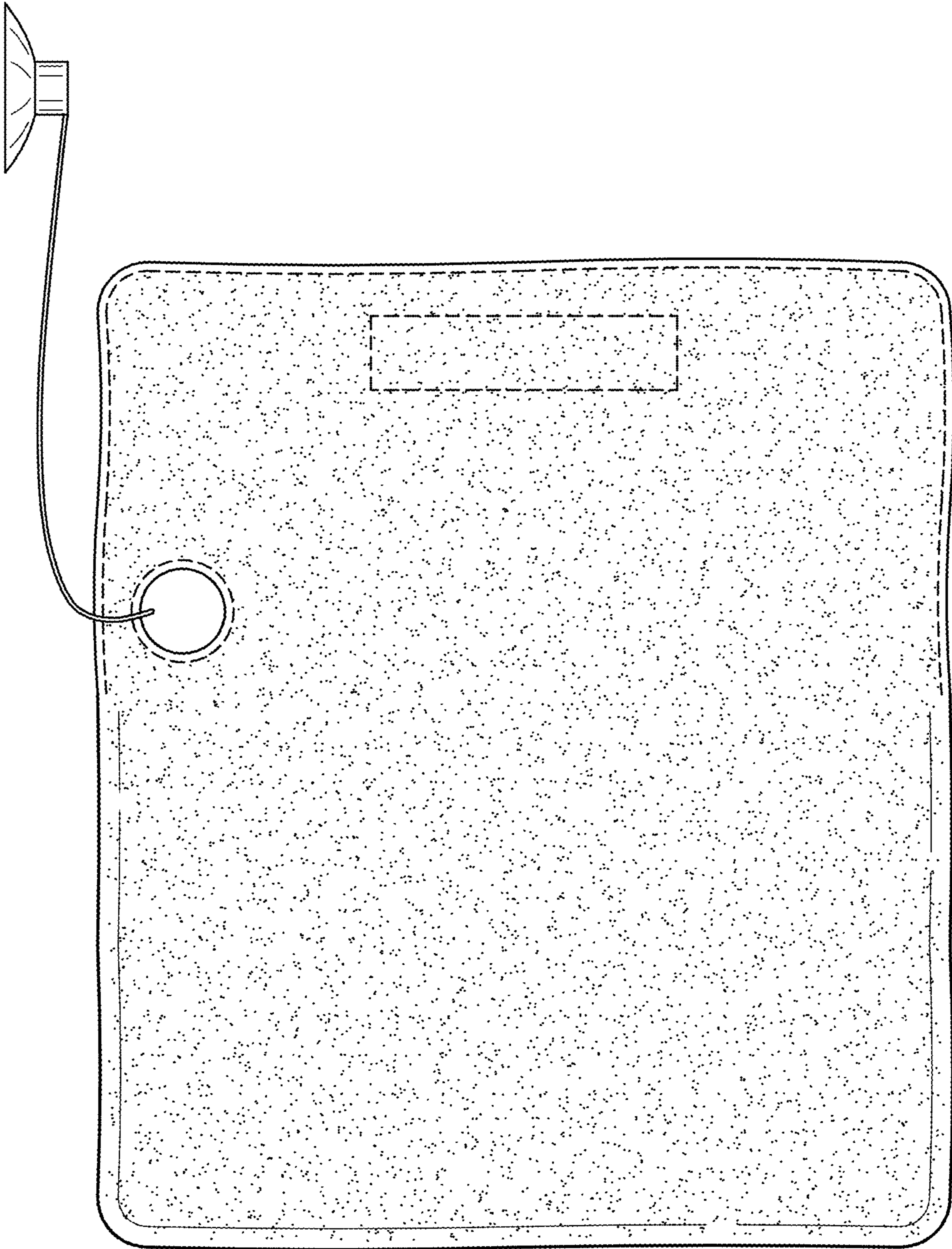


FIG. 2

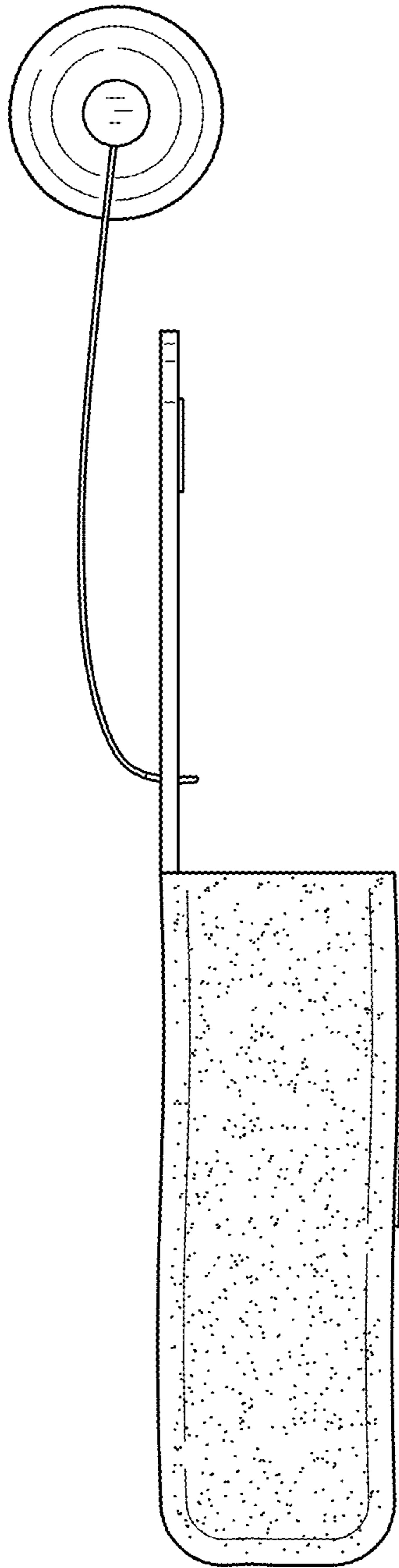


FIG. 3

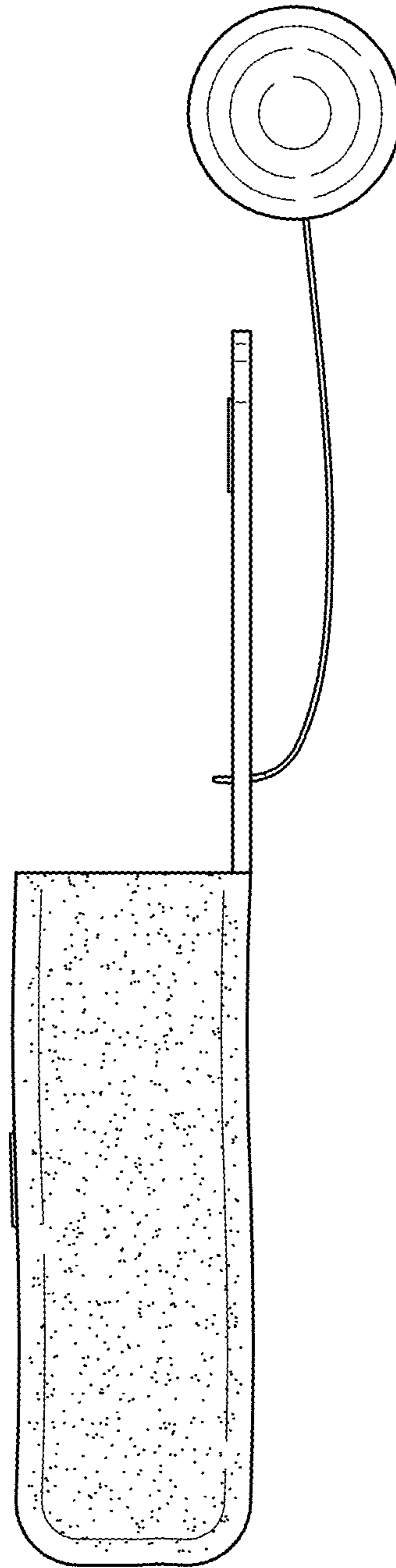


FIG. 4

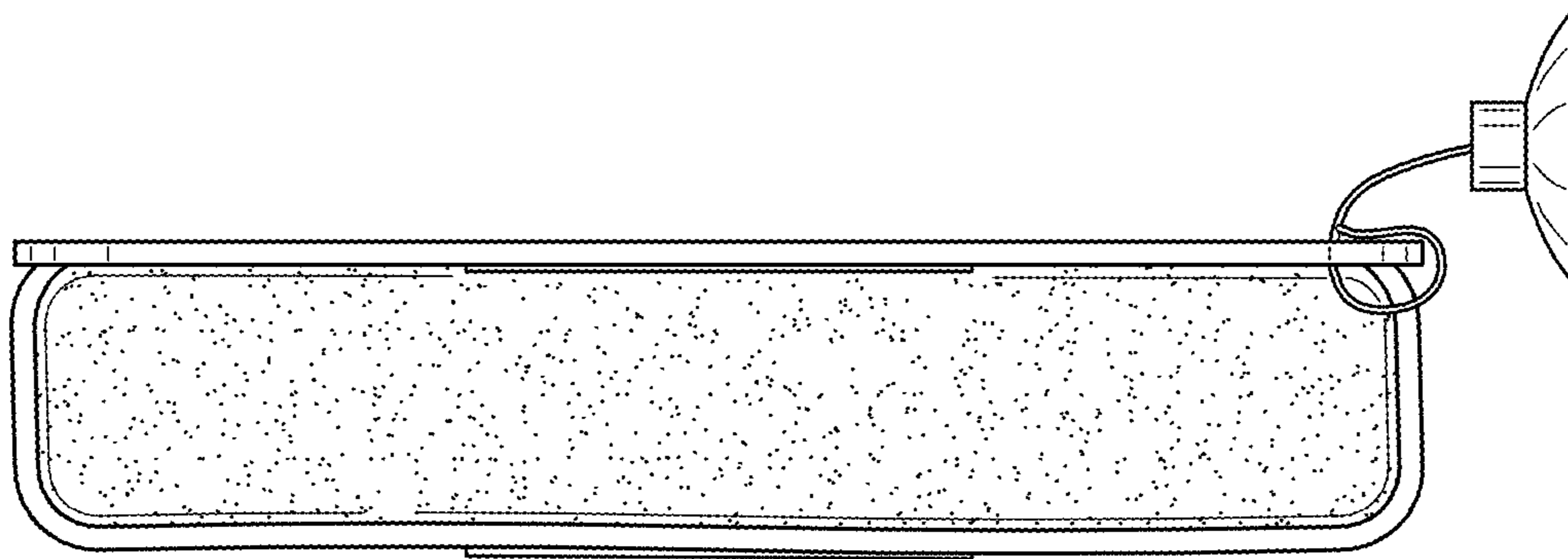


FIG. 5

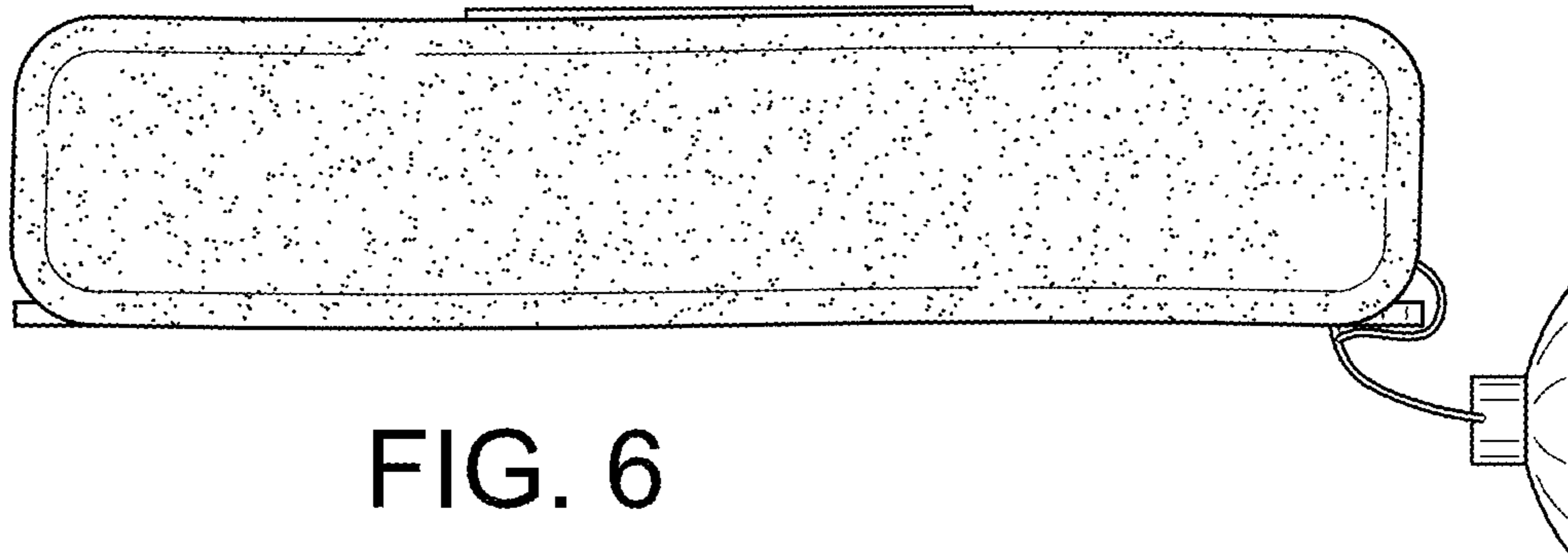


FIG. 6

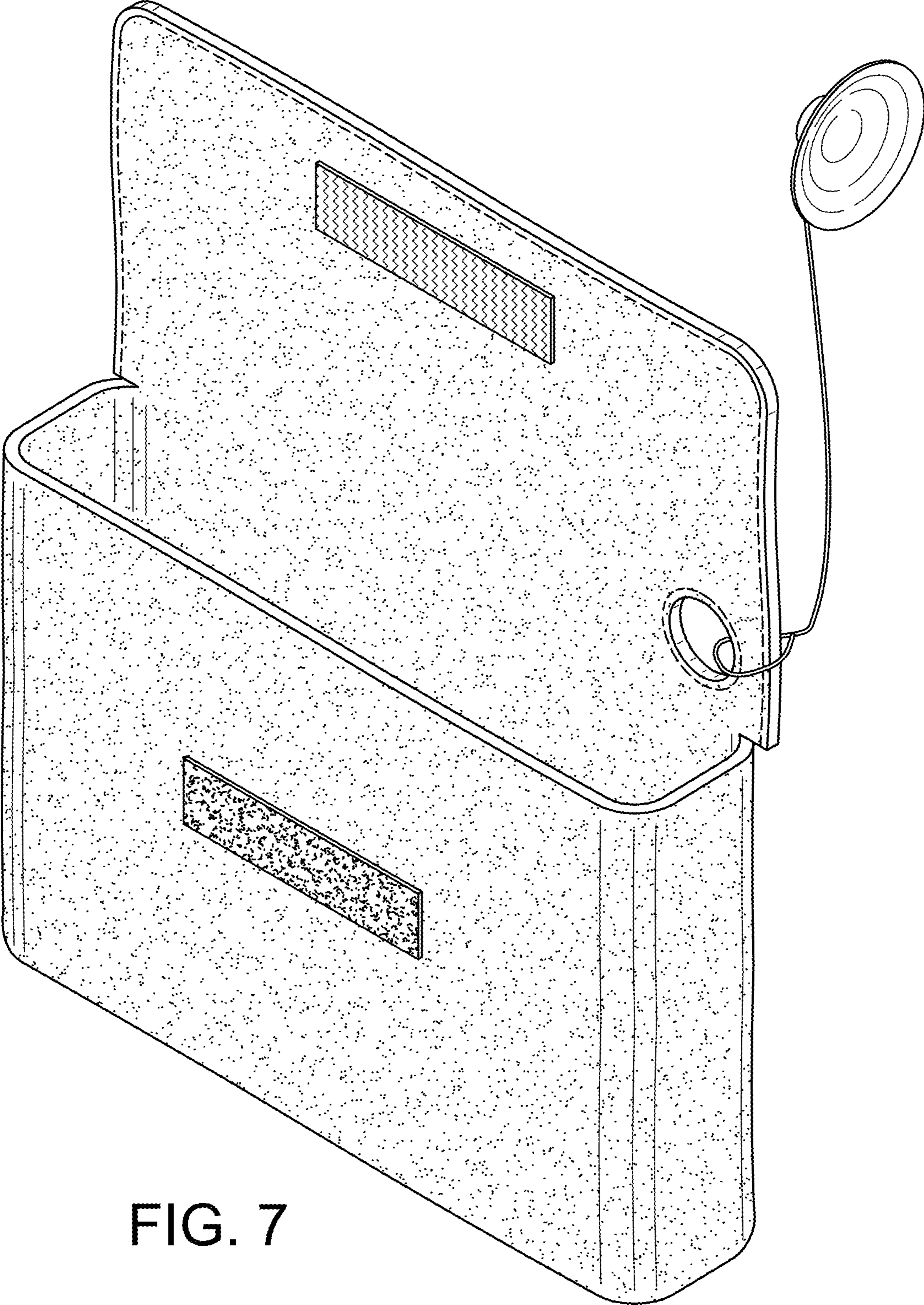


FIG. 7



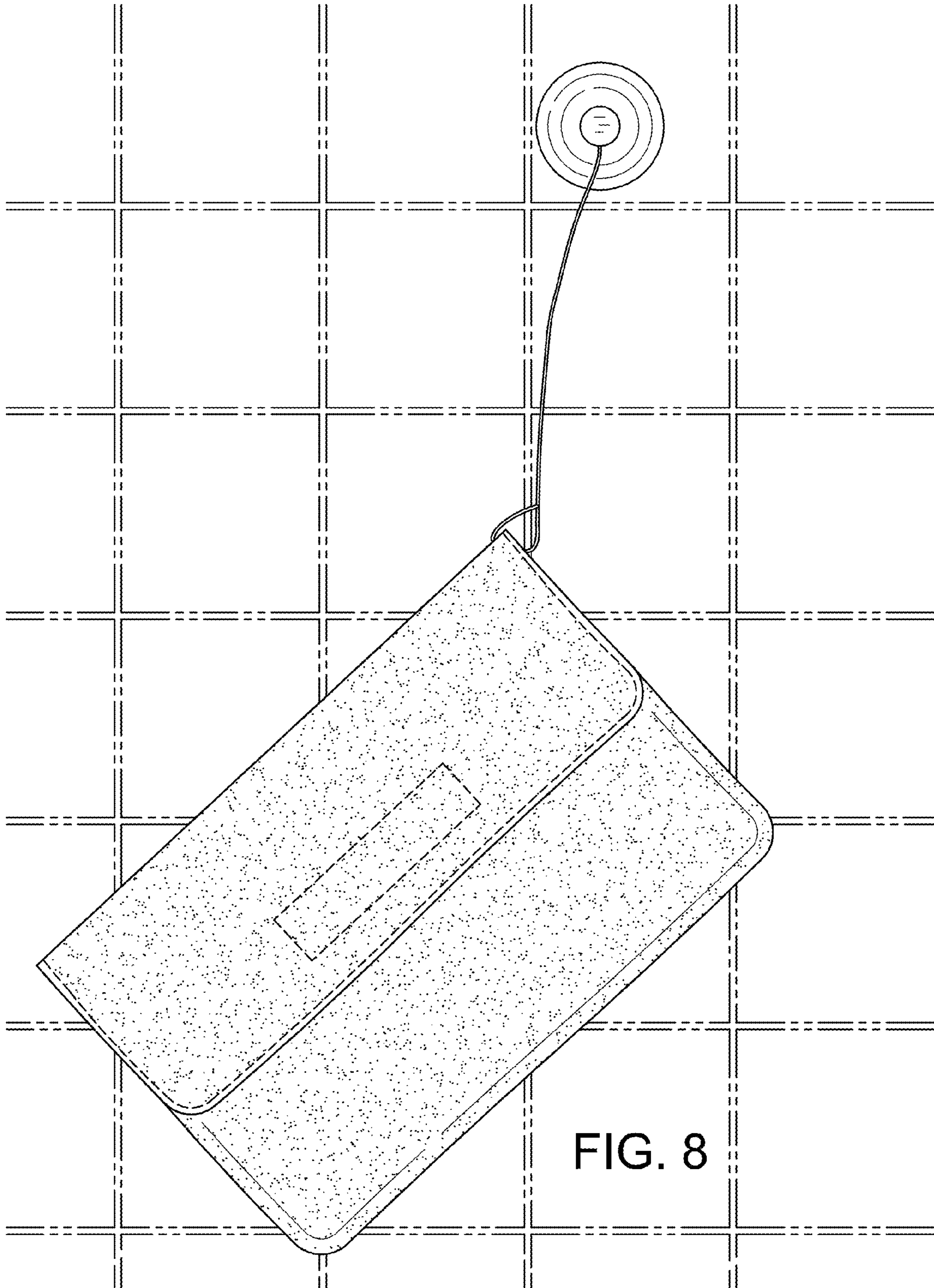


FIG. 8