



US00D901928S

(12) **United States Design Patent** (10) **Patent No.:** **US D901,928 S**
Goding (45) **Date of Patent:** **** *Nov. 17, 2020**

(54) **SOAP HOLDER**

(71) Applicant: **Michael E. Goding**, Omaha, NE (US)

(72) Inventor: **Michael E. Goding**, Omaha, NE (US)

(*) Notice: This patent is subject to a terminal disclaimer.

(**) Term: **15 Years**

(21) Appl. No.: **29/656,924**

(22) Filed: **Jul. 17, 2018**

Related U.S. Application Data

(63) Continuation of application No. 29/634,334, filed on Jan. 19, 2018, and a continuation of application No. 29/634,330, filed on Jan. 19, 2018, now Pat. No. Des. 878,088.

(51) **LOC (12) Cl.** **23-02**

(52) **U.S. Cl.**
USPC **D6/536**

(58) **Field of Classification Search**
USPC D6/536-537, 524, 525, 540, 566, 567, D6/320; 211/13.1, 74, 71.01, 86.01, 75, 211/88.01, 90.01, 90.03, 106, 119, 126.1, 211/133.5, 181.1, 134, 87.01; D3/306; D32/55-56; D7/637, 412; 248/206.2-206.3; 99/508
CPC .. B23P 17/04; A47K 1/09; A47K 1/08; A47K 3/281; F16B 47/00
See application file for complete search history.

(56) **References Cited**

U.S. PATENT DOCUMENTS

D30,528 S	4/1899	Hightower
D57,719 S	4/1921	Pfeiffer, Sr.
D141,011 S	4/1945	Madan
D161,154 S	12/1950	Bartholomew

D161,084 S	5/1951	Biener	
2,801,658 A	8/1957	Thomas	
3,491,724 A	1/1970	Sunner	
D241,567 S	9/1976	England	
D253,928 S	1/1980	Murphy	
4,348,831 A	9/1982	Chambers	
D270,799 S	10/1983	Creske	
D276,876 S *	12/1984	Van Asten D7/665
D298,498 S	11/1988	Greenhut et al.	
D307,090 S	4/1990	DeCoster	
D312,740 S	12/1990	Greenhut et al.	
4,993,546 A	2/1991	Southard	
D322,911 S	1/1992	Schmengler	
5,088,392 A *	2/1992	Ancona A47J 19/023 99/499
D347,143 S	5/1994	Awyong	
D351,762 S *	10/1994	Williams D7/354
5,577,693 A	11/1996	Corn	
D396,172 S	7/1998	Nask et al.	
D399,101 S *	10/1998	Lillelund D7/665
D400,398 S	11/1998	McNaughton	
D407,954 S *	4/1999	Lehn D7/665
D421,549 S *	3/2000	Hints D7/505

(Continued)

Primary Examiner — Nathan M Johnston

(74) *Attorney, Agent, or Firm* — Suiter Swantz pc llo

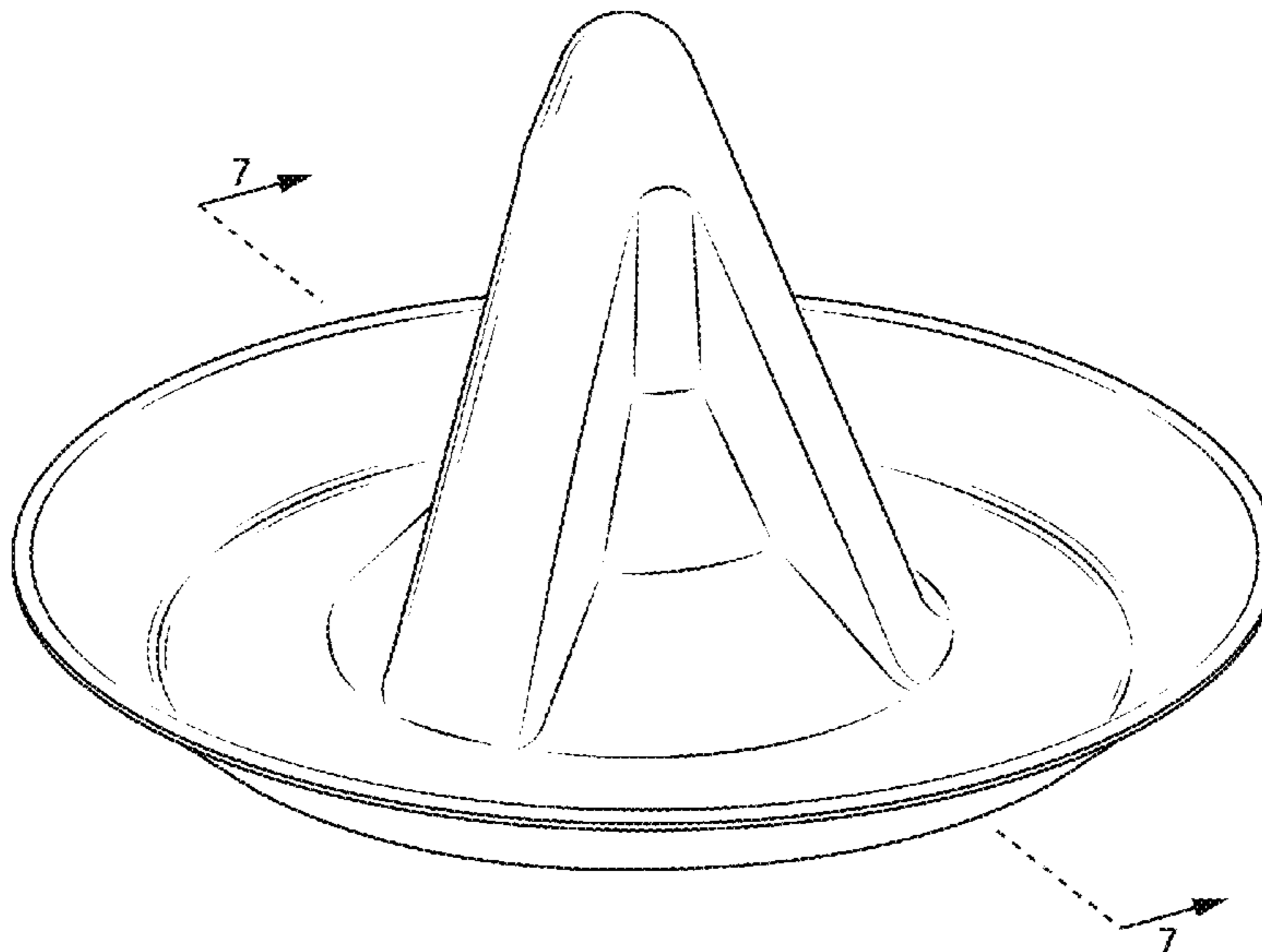
(57) **CLAIM**

The ornamental design for a soap holder, as shown and described.

DESCRIPTION

FIG. 1 is a top perspective view of the soap holder showing my new design.
FIG. 2 is a bottom perspective view thereof;
FIG. 3 is a side elevation thereof;
FIG. 4 is a second side elevation thereof;
FIG. 5 is a top plan view thereof;
FIG. 6 is a bottom plan view thereof; and,
FIG. 7 is a cross-section view taken along line 7-7 of FIGS. 1 and 5.

1 Claim, 7 Drawing Sheets



(56)

References Cited

U.S. PATENT DOCUMENTS

D423,292 S 4/2000 Horvat
 6,125,739 A * 10/2000 Jernigan A47J 43/18
 99/345
 D434,697 S 12/2000 Dachtera
 D441,315 S * 5/2001 Huffman D11/143
 6,265,010 B1 7/2001 Franco
 D448,622 S 10/2001 Horvat
 D453,488 S * 2/2002 McCauley D11/152
 D473,431 S 4/2003 Schwamkrug
 D484,754 S 1/2004 Schuler
 D504,248 S 4/2005 Wagner
 D504,249 S 4/2005 Wagner
 D505,833 S 6/2005 Ahearn
 D509,994 S 9/2005 Hadland
 D522,807 S * 6/2006 Dow D7/361
 D527,954 S 9/2006 Roth
 7,117,784 B2 * 10/2006 de Groot A47J 17/18
 99/508
 D532,231 S 11/2006 Kracke
 D533,642 S 12/2006 Gilbert et al.
 D534,826 S * 1/2007 Jossem D7/665
 D552,421 S * 10/2007 Wolf D7/523
 D556,055 S 11/2007 Brown
 7,337,711 B2 * 3/2008 Holcomb A47J 19/023
 99/508
 D568,112 S 5/2008 Epstein
 D573,847 S 7/2008 Bizzell et al.
 D574,172 S 8/2008 Bickler et al.
 D600,500 S 9/2009 Bizzell et al.
 7,690,585 B1 * 4/2010 Johns A23G 3/22
 239/16
 D625,886 S 10/2010 Ellard

D631,695 S 2/2011 Sampson et al.
 D657,612 S 4/2012 Cloutier et al.
 D664,011 S * 7/2012 Affonso D7/665
 D681,888 S 5/2013 Fang
 D699,522 S 2/2014 Wong
 8,672,175 B2 * 3/2014 Farmer B65D 1/36
 220/737
 D702,064 S 4/2014 Ho
 D738,579 S 9/2015 Owens et al.
 D756,173 S * 5/2016 Decaris D7/665
 D756,718 S * 5/2016 Breit D7/665
 D757,501 S 5/2016 Cotter
 D761,628 S * 7/2016 Chitayat D15/90
 D764,117 S 8/2016 Fang
 D810,497 S * 2/2018 Costa Llonch D7/359
 D823,022 S 7/2018 Goding
 D830,723 S 10/2018 Goding
 D834,275 S 11/2018 Shinn et al.
 D836,409 S 12/2018 Silsby et al.
 D838,119 S 1/2019 Goding
 D840,223 S * 2/2019 Marina D9/437
 D850,220 S 6/2019 Lu
 D851,468 S 6/2019 Holding et al.
 D859,926 S 9/2019 Alba
 D867,668 S * 11/2019 Lotti D28/73
 D873,082 S * 1/2020 Barbu D7/602
 2003/0005832 A1 * 1/2003 Wang A47J 19/023
 100/213
 2011/0219959 A1 * 9/2011 Hauser A47J 19/023
 99/508
 2012/0175484 A1 7/2012 Hao et al.
 2015/0008297 A1 1/2015 Baggs
 2015/0282677 A1 10/2015 Gould
 2016/0097419 A1 4/2016 Huang et al.

* cited by examiner

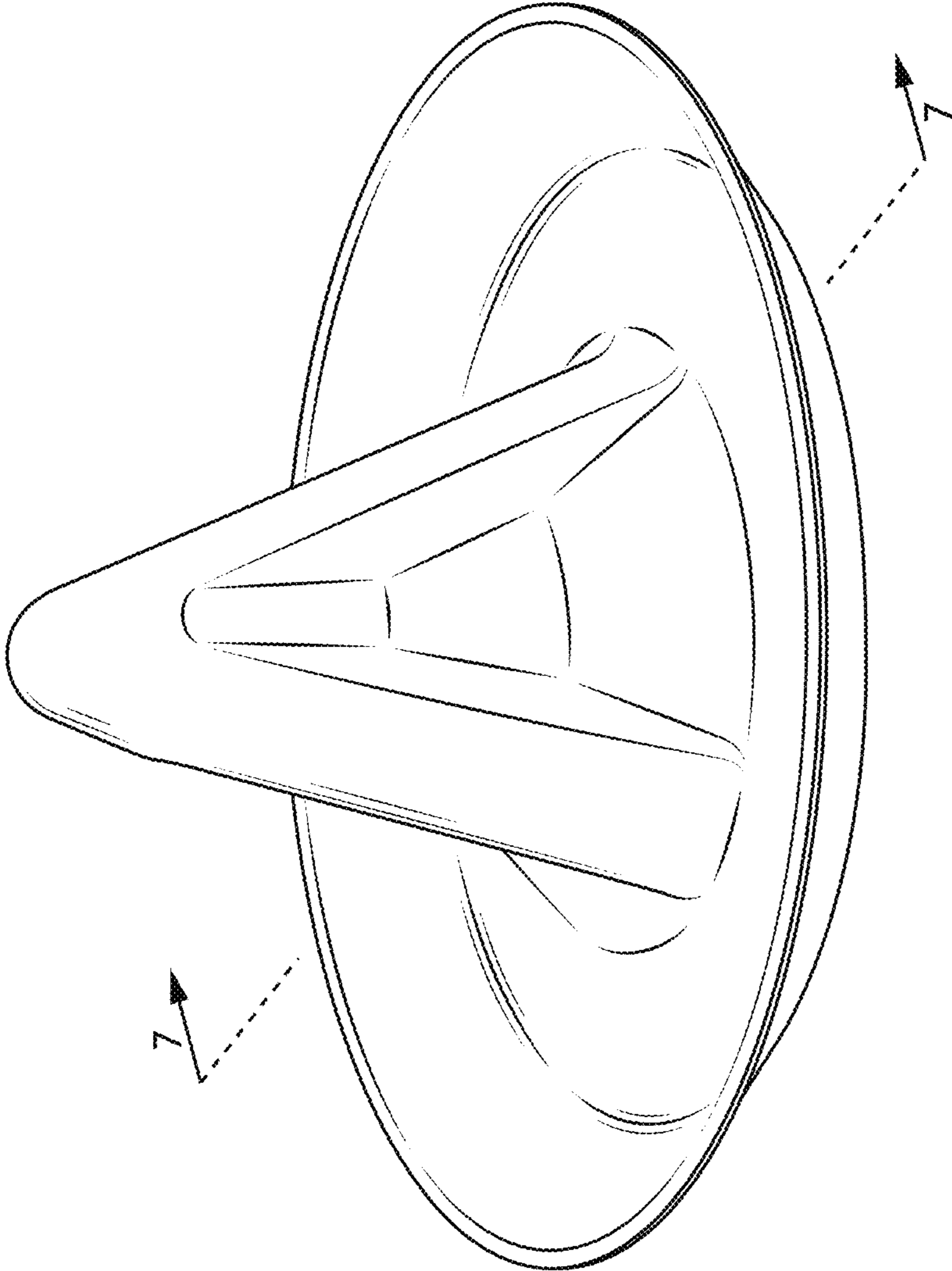


FIG.1

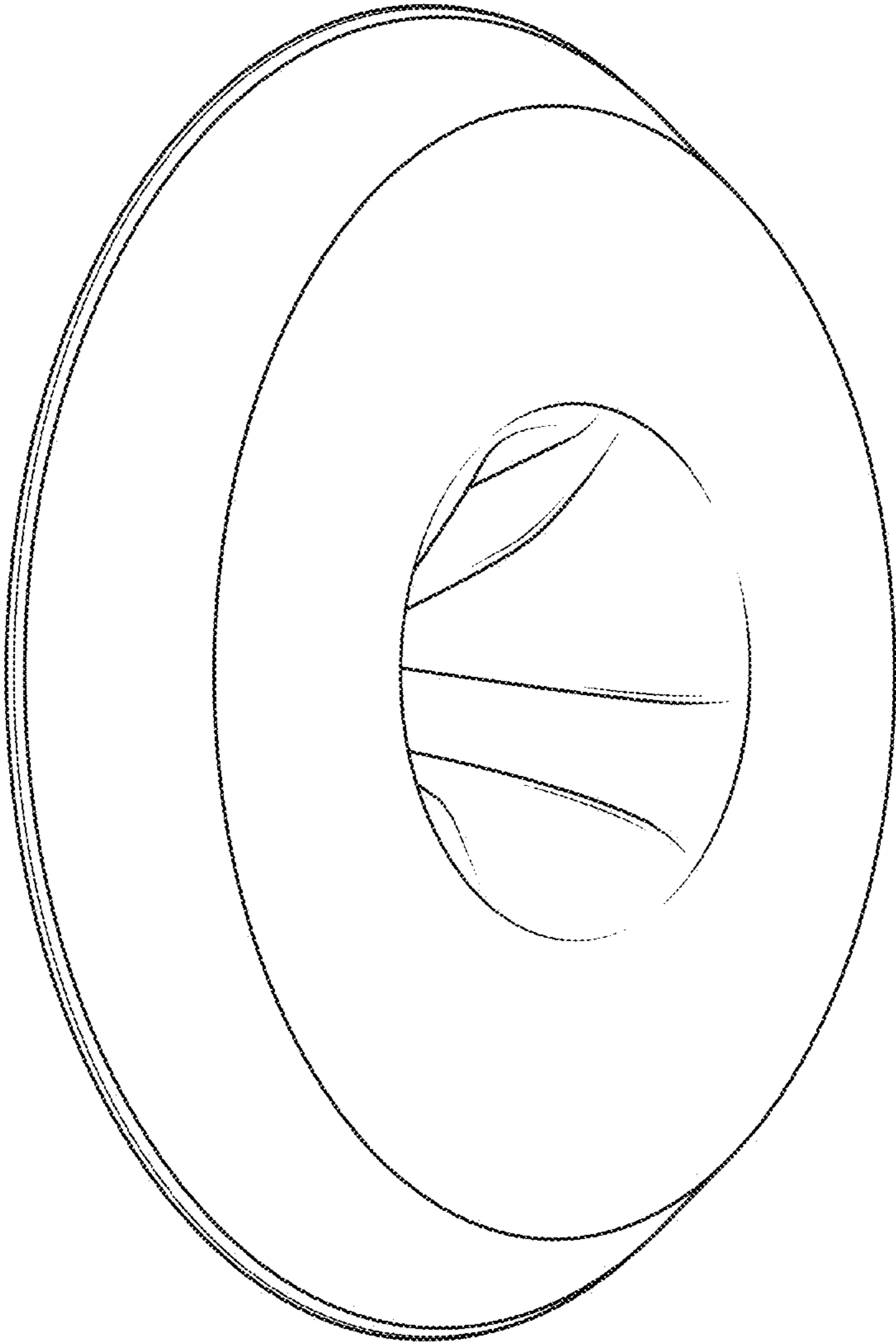


FIG. 2

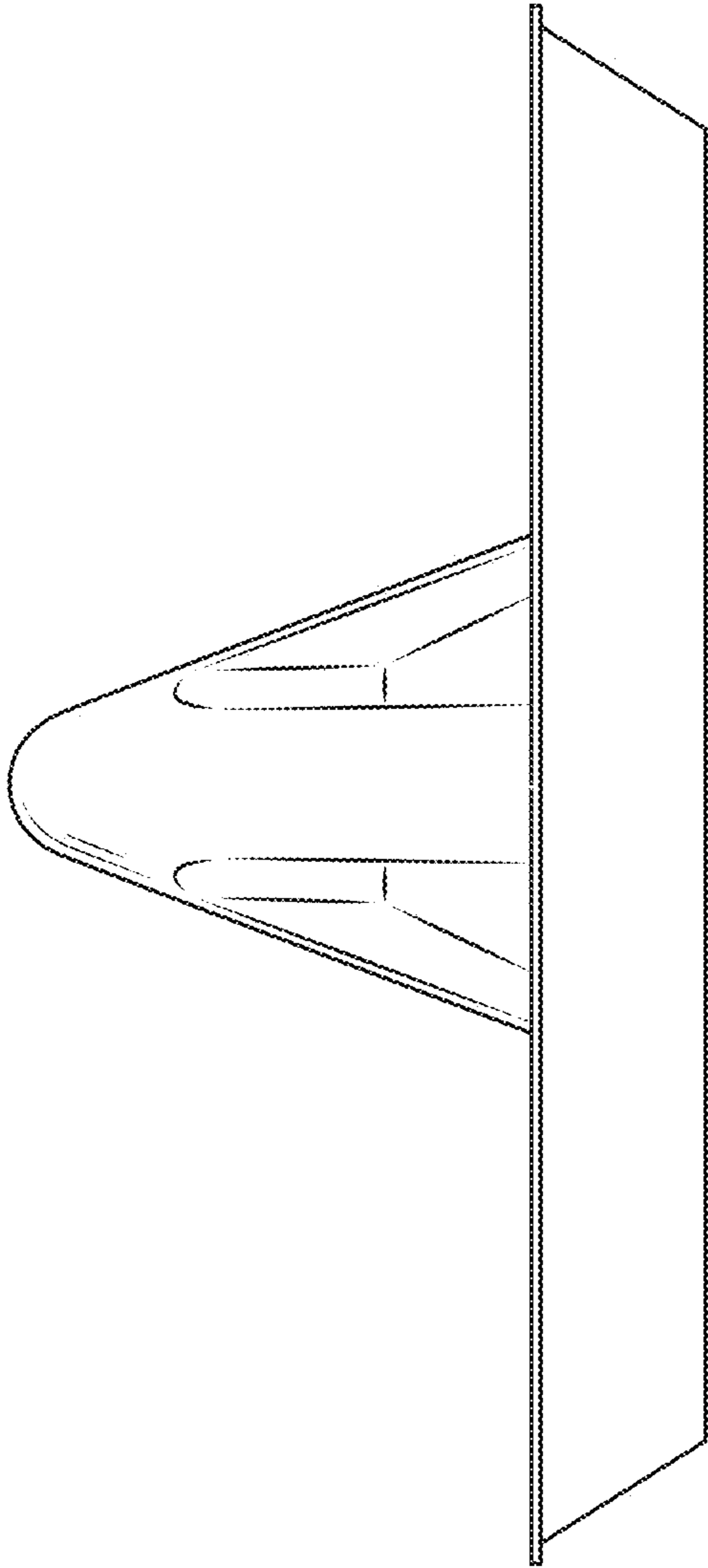


FIG. 3

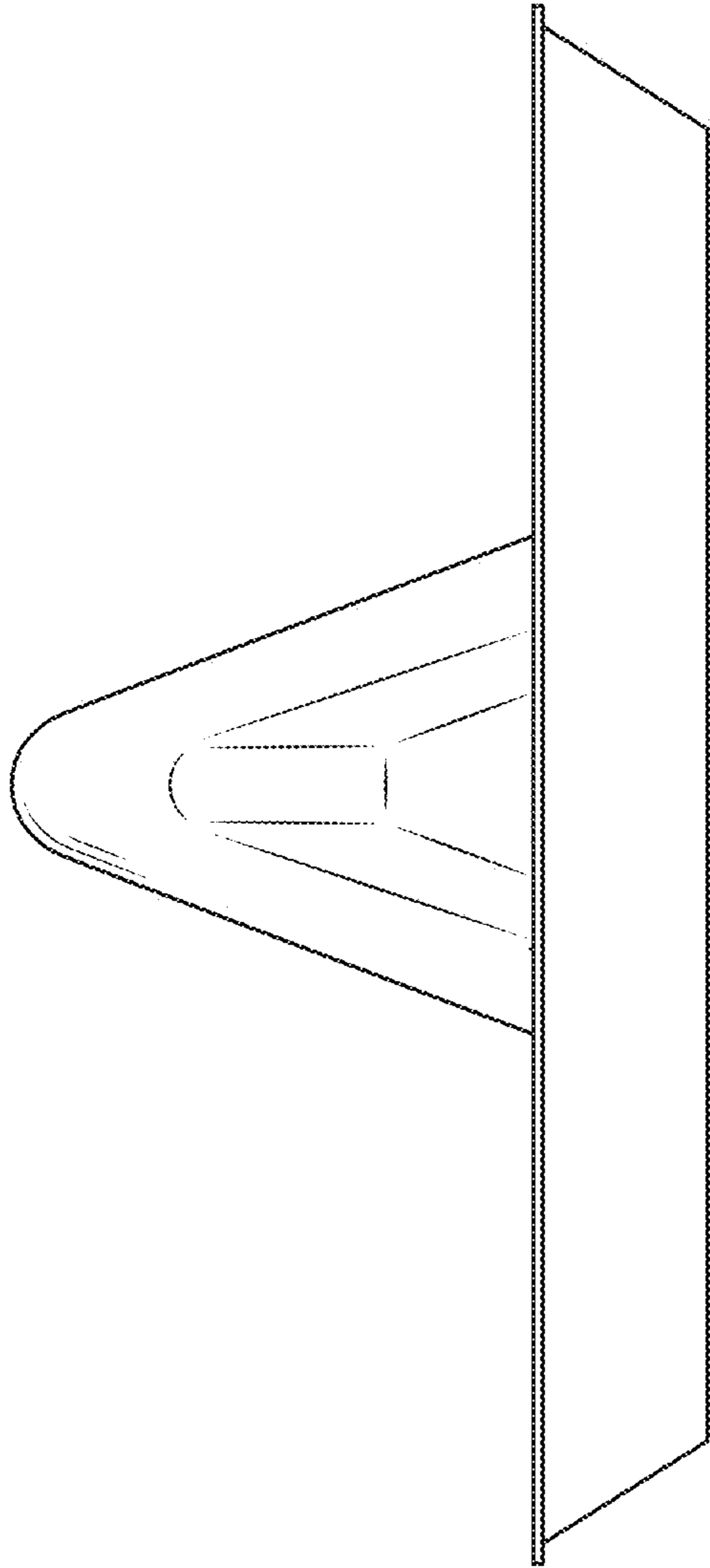


FIG.4

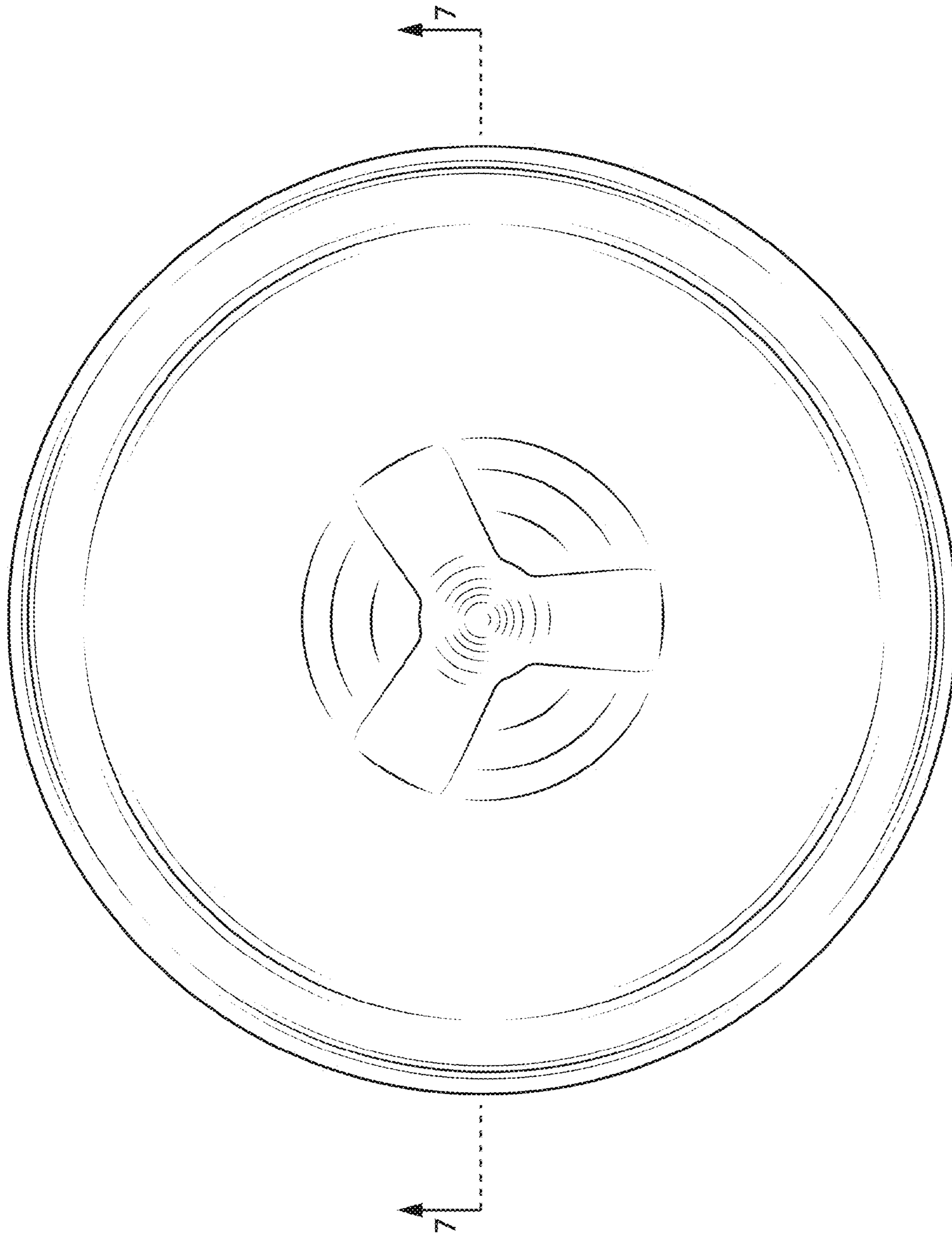


FIG. 5

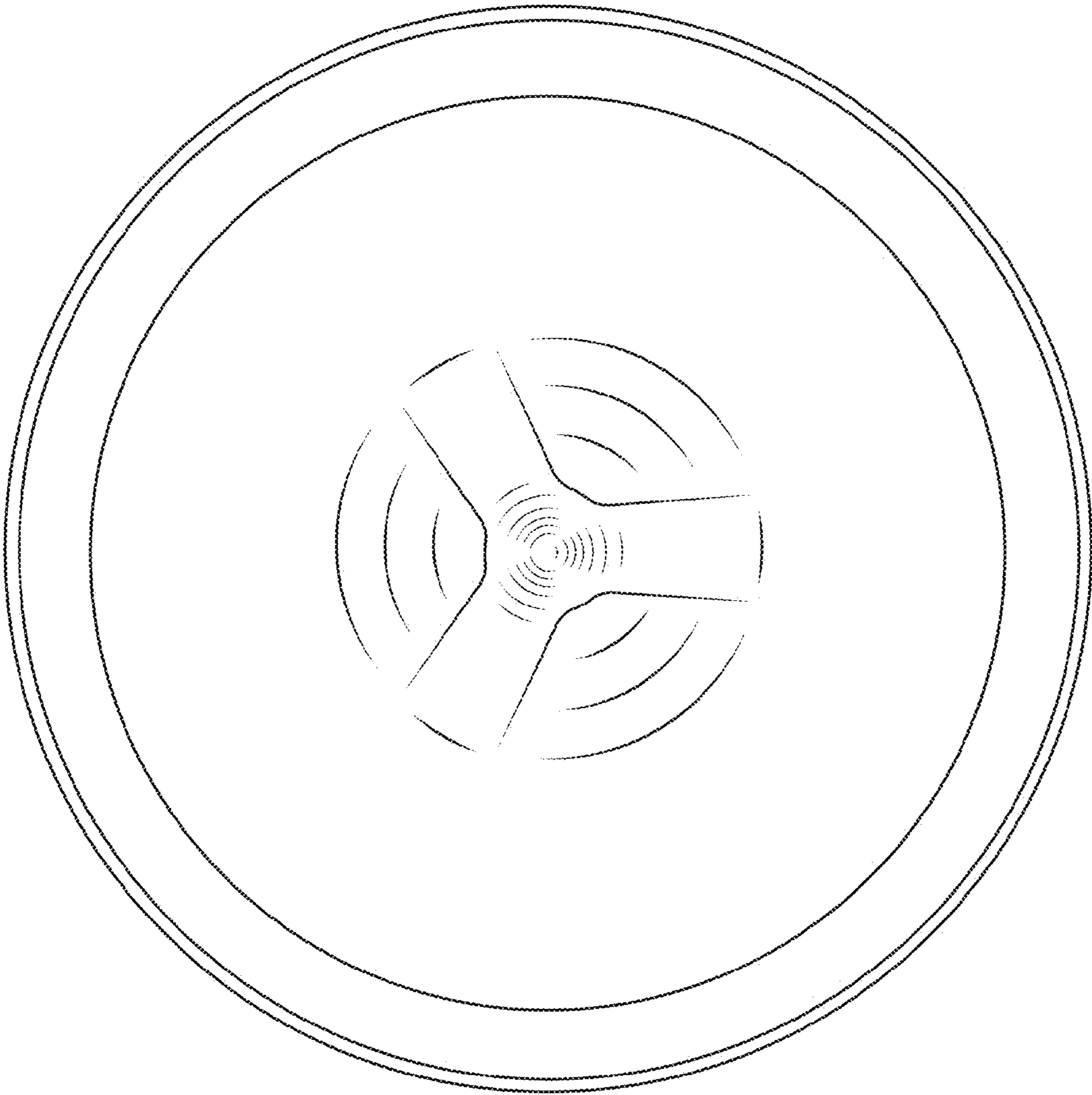


FIG. 6

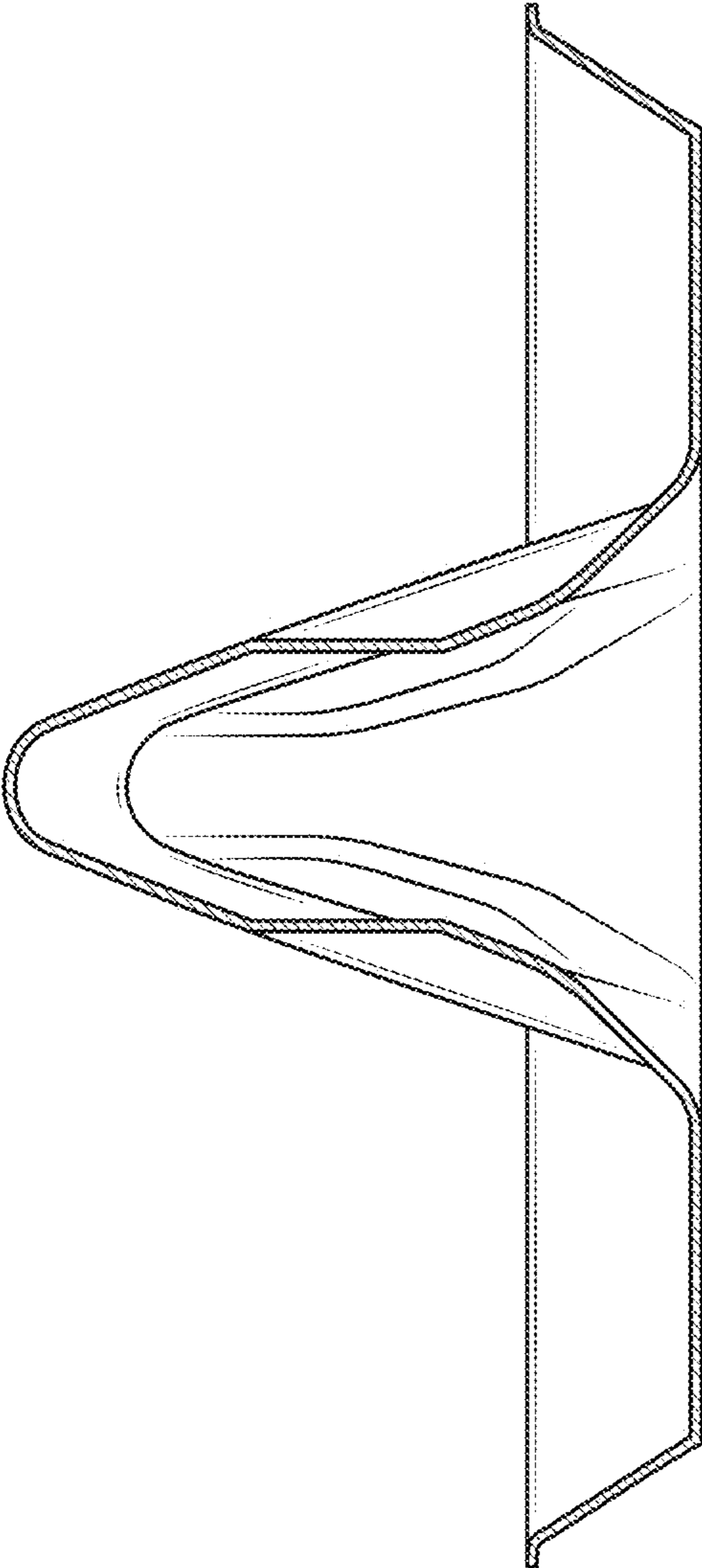


FIG. 7