



US00D901914S

(12) **United States Design Patent** (10) **Patent No.:** **US D901,914 S**
Wanders (45) **Date of Patent:** **** Nov. 17, 2020**

- (54) **HIGH CHAIR WITH TRAY** 6,179,377 B1 * 1/2001 Harper A47G 19/10
297/148
- (71) Applicant: **Wanders Wonders B.V.**, Amsterdam D575,539 S * 8/2008 Tomasi D6/339
(NL) D576,411 S 9/2008 Wang
- (72) Inventor: **Marcel Wanders**, Amsterdam (NL) D641,180 S * 7/2011 Kennedy D6/339
D650,598 S 12/2011 Kennedy et al.
- (73) Assignee: **WANDERS WONDERS B.V.**, D807,065 S * 1/2018 Festa A47D 1/103
Amsterdam (NL) 297/130
- (**) Term: **15 Years** D730,070 S 5/2015 Daley et al.
D742,656 S 11/2015 Ho et al.
- (21) Appl. No.: **29/665,409** 9,635,955 B2 5/2017 Greger
D807,065 S * 1/2018 Festa A47D 1/103
D833,160 S * 11/2018 Wanders A47D 15/006
D6/339
- (22) Filed: **Oct. 3, 2018**

(Continued)

Primary Examiner — Mary Ann Calabrese
(74) *Attorney, Agent, or Firm* — Boyle Fredrickson, S.C.

Related U.S. Application Data

- (62) Division of application No. 35/501,559, filed on Mar. 16, 2016 (U.S. filing date under 35 U.S.C. 384), and having an international filing date of Mar. 16, 2016, now Pat. No. Des. 833,160.
- (51) **LOC (12) Cl.** **06-01**
- (52) **U.S. Cl.**
USPC **D6/339**
- (58) **Field of Classification Search**
USPC D6/333-336, 339, 360, 367, 368, 374,
D6/379
CPC A47D 1/008; A47D 1/0081; A47D 1/0083;
A47D 1/10; A47D 1/103
See application file for complete search history.

(57) **CLAIM**

The ornamental design of a high chair with tray, as shown and described.

DESCRIPTION

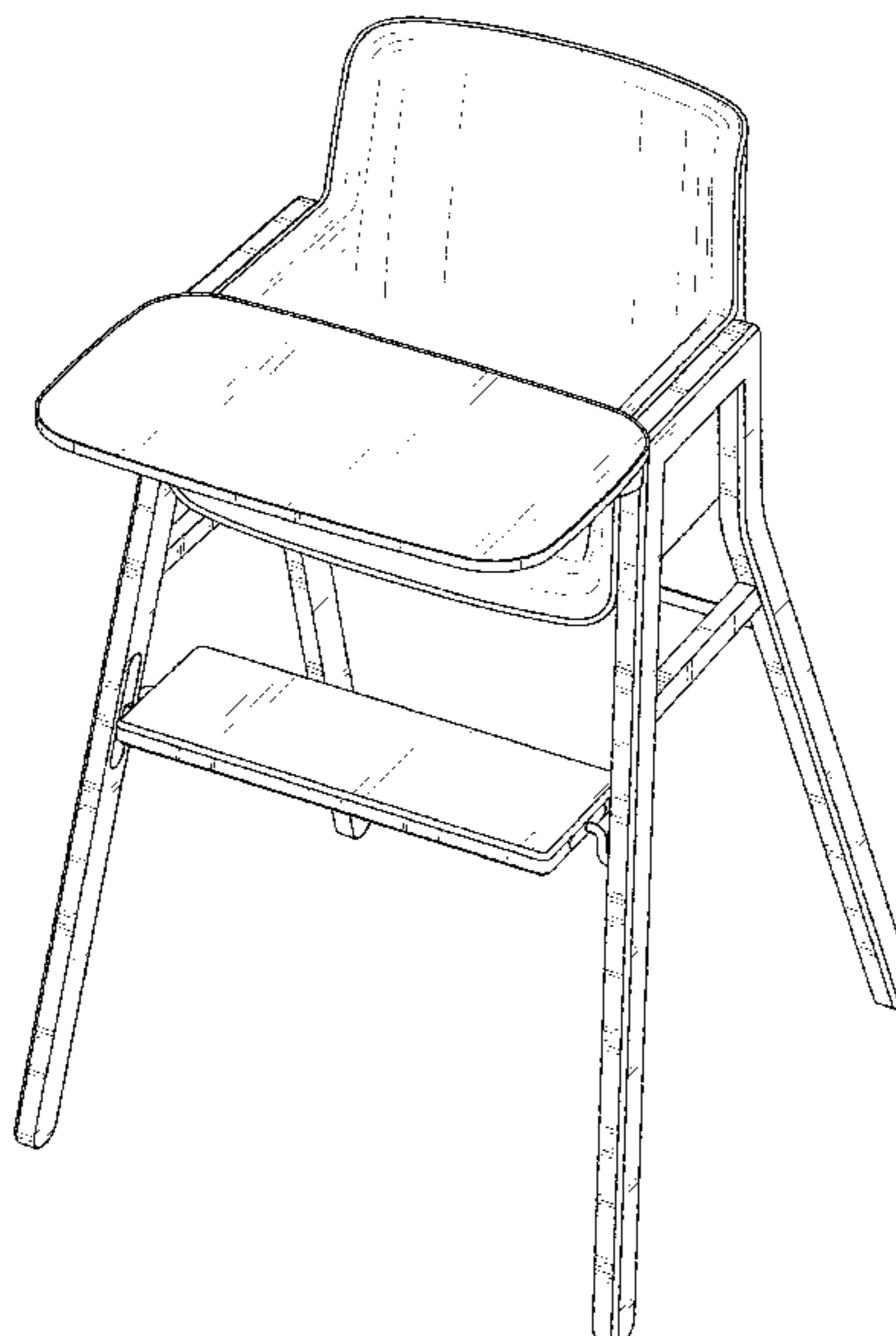
FIG. 1 his a perspective view of a high chair with tray in accordance with the present invention;
 FIG. 2 is a rear elevational view of the high chair with tray of FIG. 1;
 FIG. 3 is a bottom view of the high chair with tray of FIG. 1;
 FIG. 4 is a side elevational view of a first side of the high chair with tray of FIG. 1;
 FIG. 5 is a side elevational view of a second side of the high chair with tray of FIG. 1;
 FIG. 6 is a top view of the high chair with tray of FIG. 1; and,
 FIG. 7 is a front elevational view of the high chair with tray of FIG. 1.
 The broken lines in the drawings depict portions of the high chair with tray that form no part of the claim.

(56) **References Cited**

U.S. PATENT DOCUMENTS

- 1,571,846 A * 2/1926 Lehman A47D 1/006
297/154
- D119,177 S 2/1940 Carlson
- 2,701,004 A * 2/1955 Estetter A47D 15/006
297/283.1
- 3,511,531 A 5/1970 Benoit
- 6,089,653 A 7/2000 Hotaling et al.

1 Claim, 7 Drawing Sheets



(56)

References Cited

U.S. PATENT DOCUMENTS

D867,773 S * 11/2019 Wang A47D 1/006
D6/339
2015/0289673 A1* 10/2015 Fine A47D 15/006
297/174 R
2016/0174727 A1 6/2016 Haut et al.

* cited by examiner

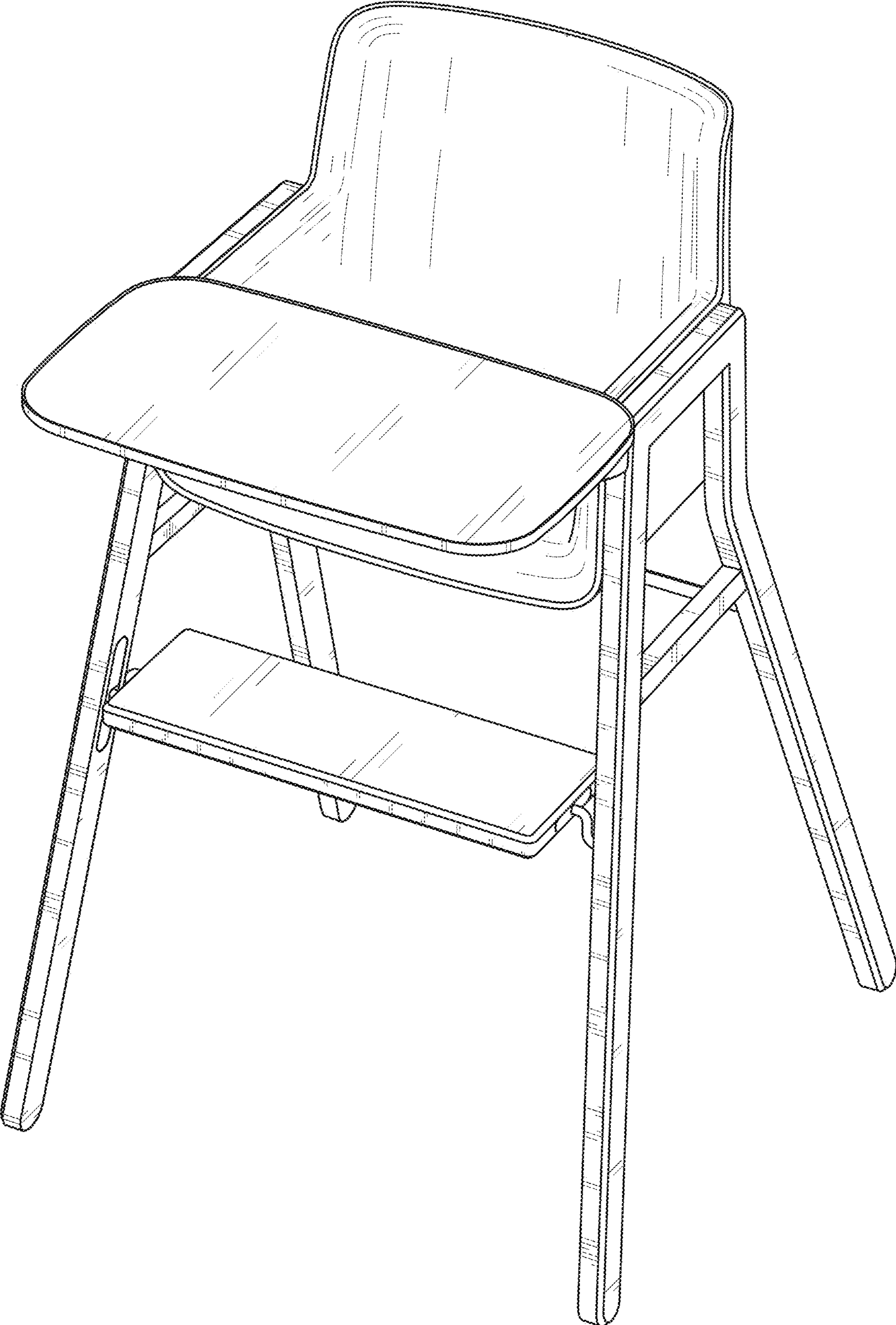


FIG. 1

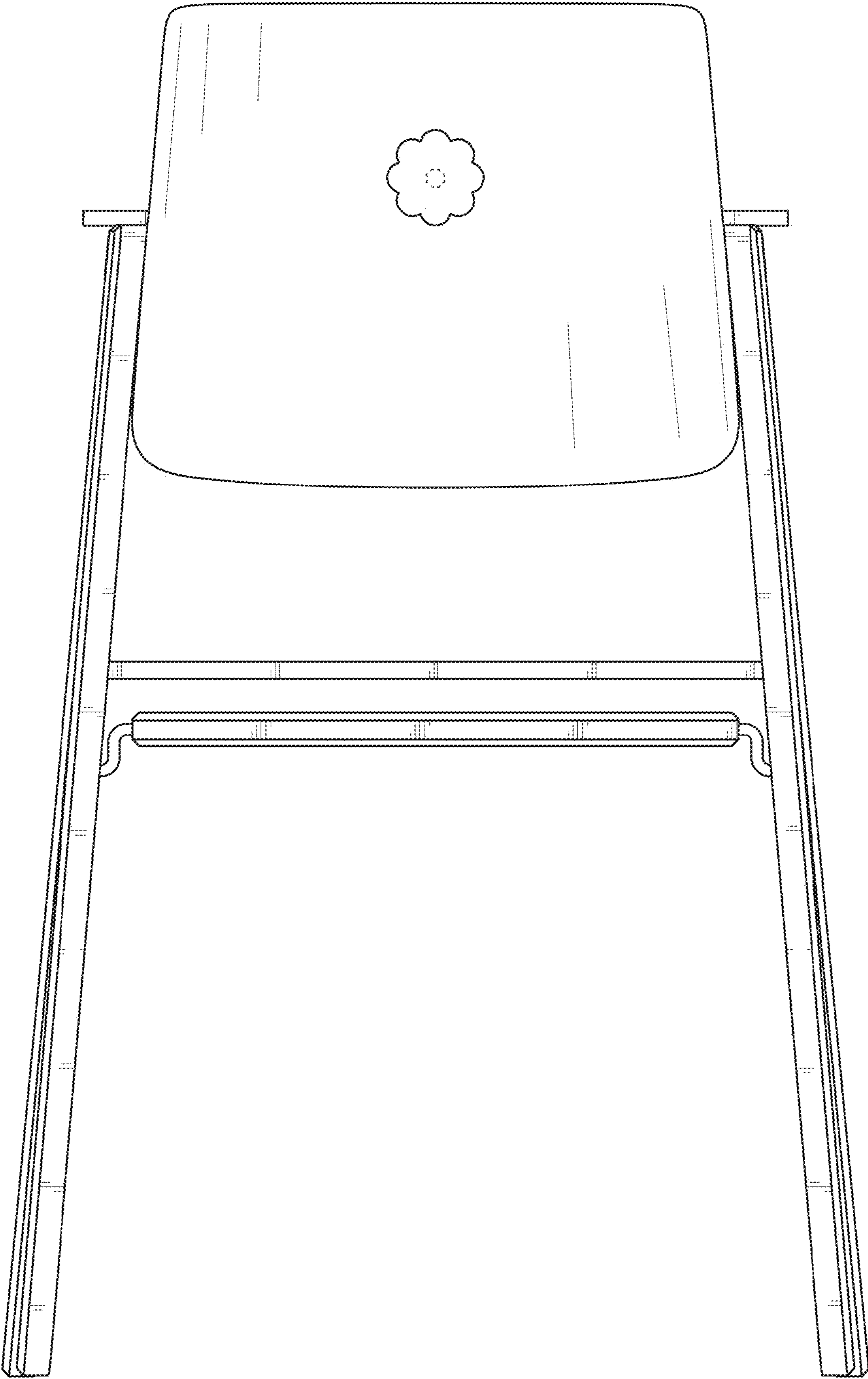


FIG. 2

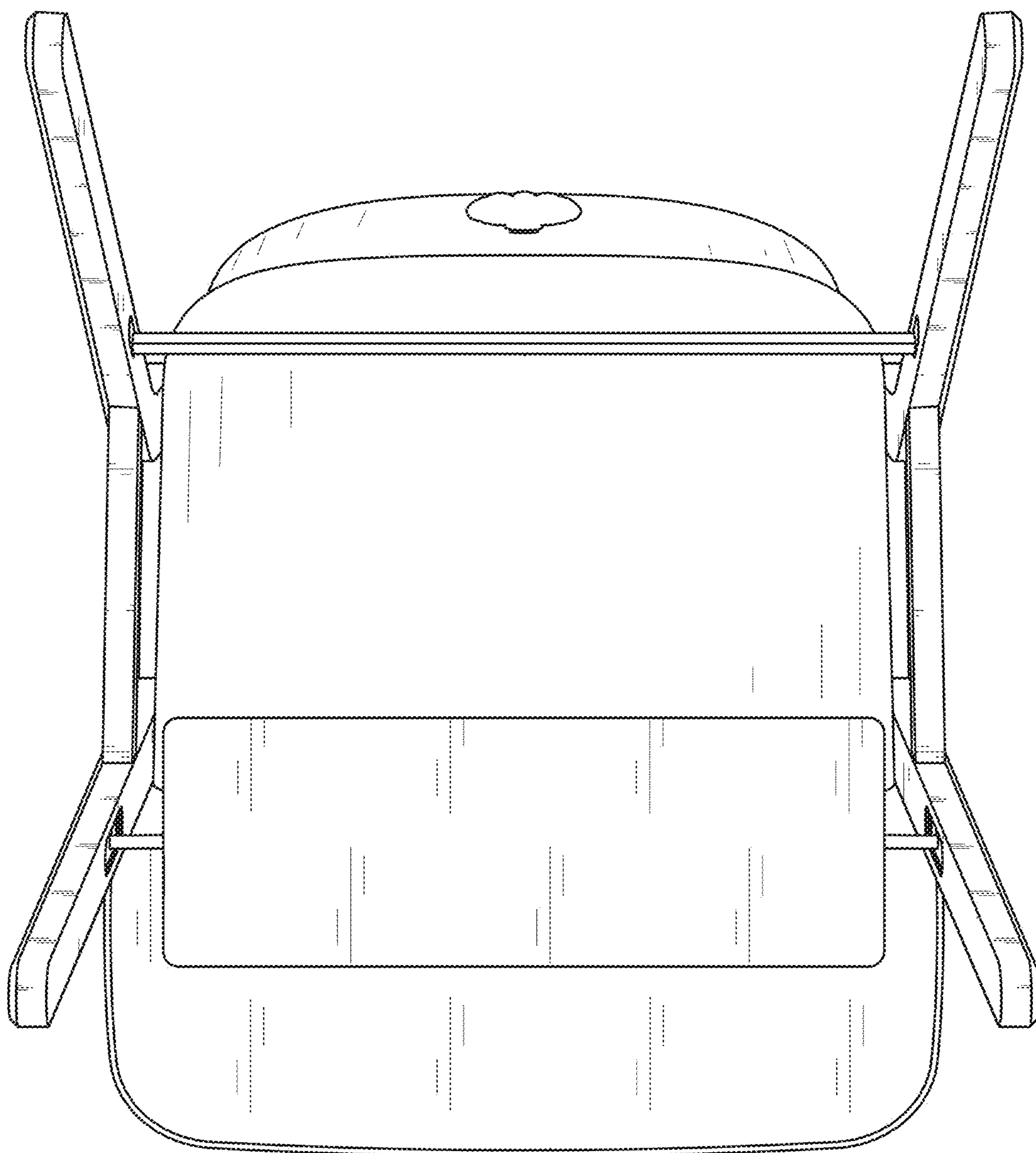


FIG. 3

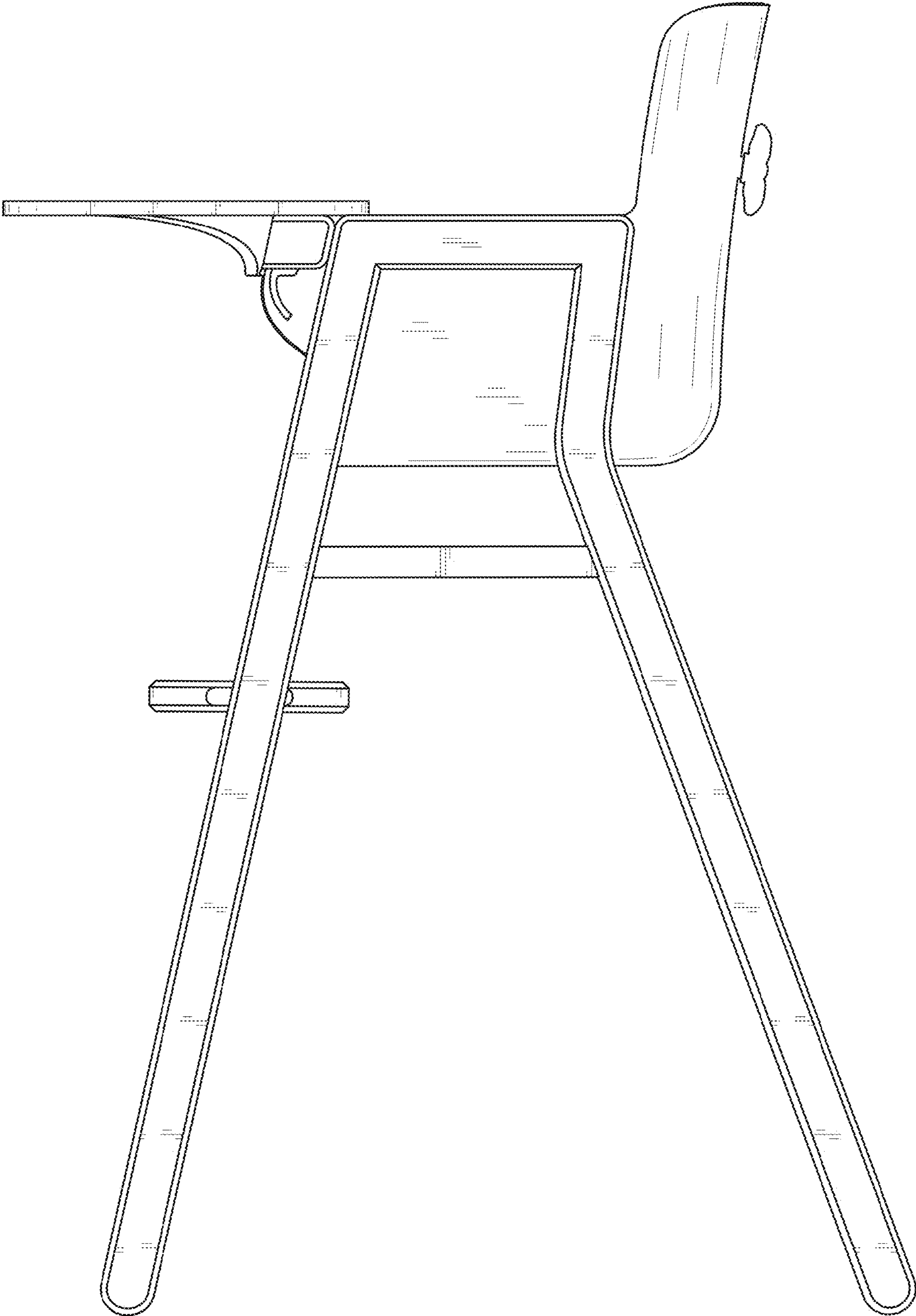


FIG. 4

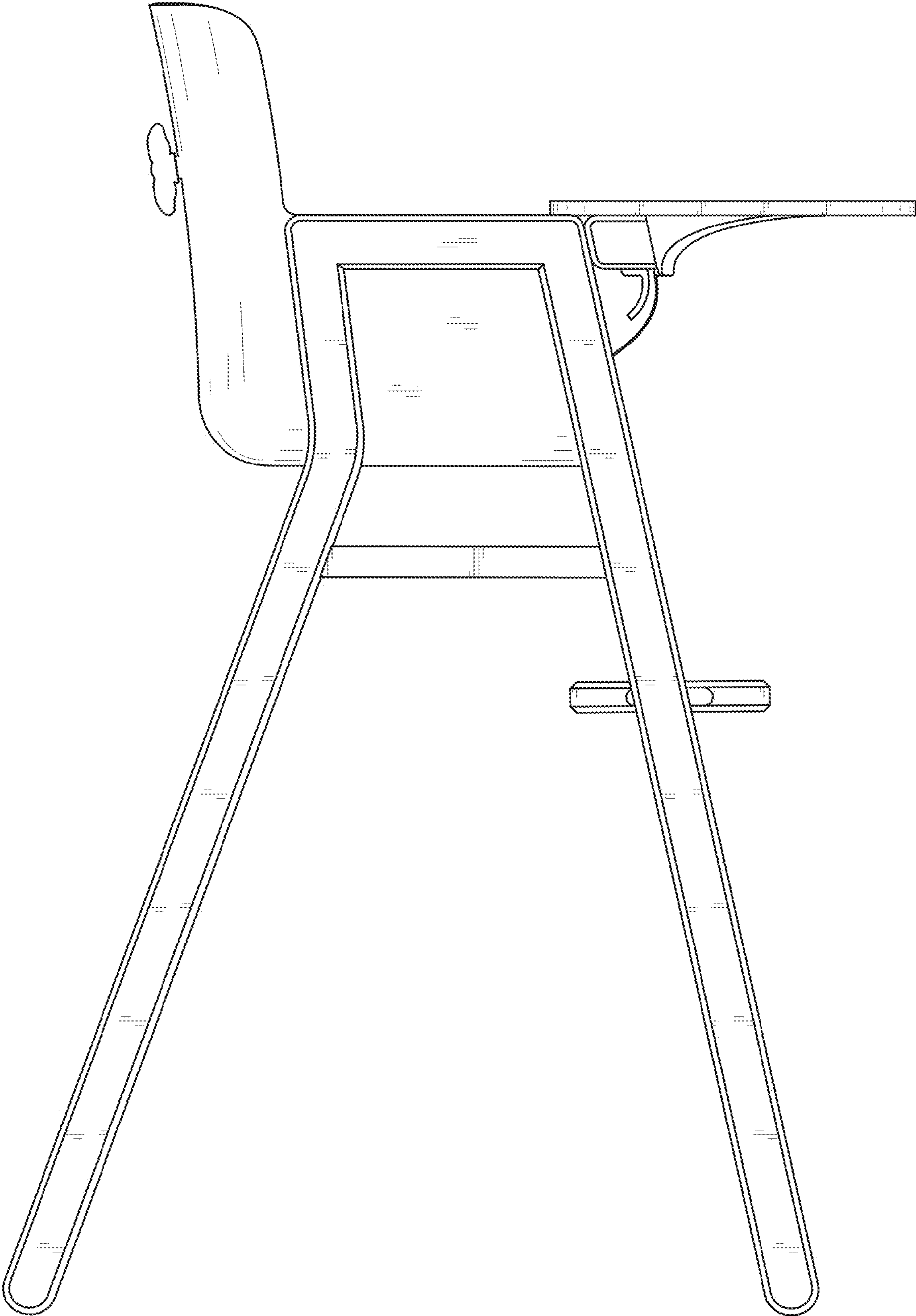


FIG. 5

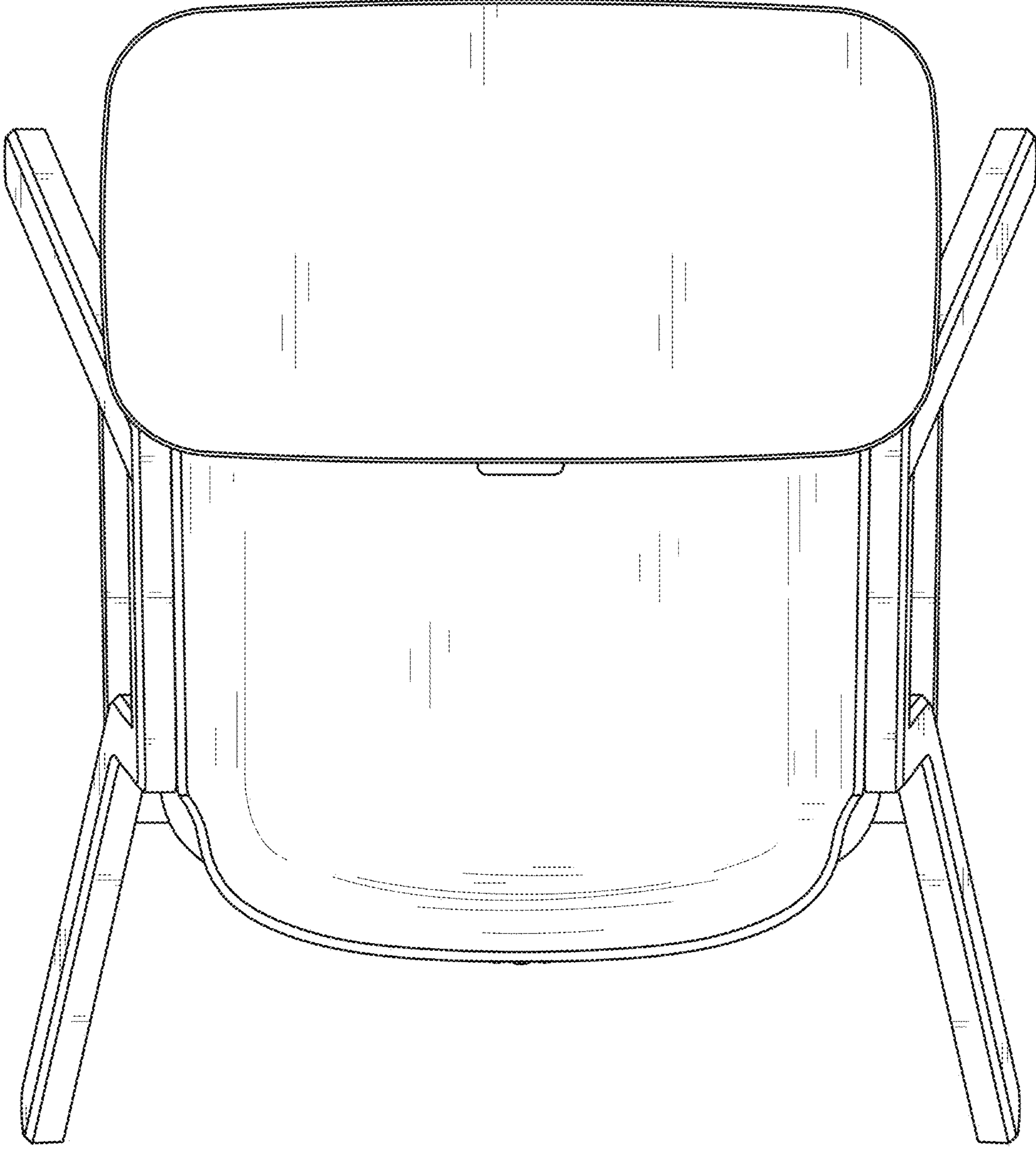


FIG. 6

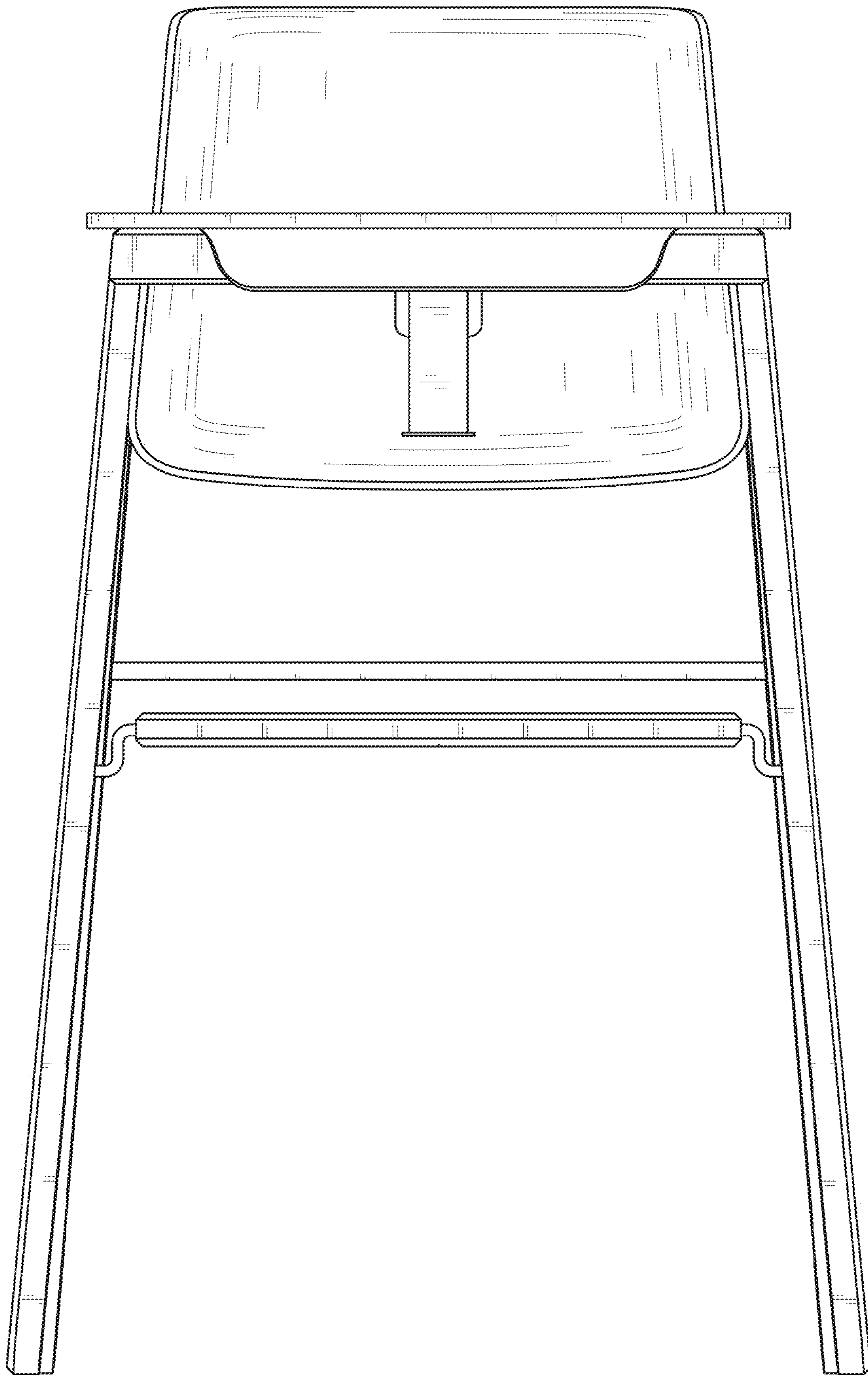


FIG. 7