



US00D901913S

(12) **United States Design Patent**
Kjerstadius

(10) **Patent No.:** **US D901,913 S**

(45) **Date of Patent:** **** Nov. 17, 2020**

(54) **SWIVEL CHAIR**
(71) Applicant: **NORDIC SPIN AB**, Vessigebro (SE)
(72) Inventor: **Lars Göran Paul Kjerstadius**,
Vessigebro (SE)
(**) Term: **15 Years**
(21) Appl. No.: **35/507,618**
(22) Filed: **Apr. 24, 2019**
(80) **Hague Agreement Data**
Int. Filing Date: **Apr. 24, 2019**
Int. Reg. No.: **DM/203631**
Int. Reg. Date: **Apr. 24, 2019**
Int. Reg. Pub. Date: **Nov. 1, 2019**

(30) **Foreign Application Priority Data**

Nov. 2, 2018 (EM) 005815784-0001

(51) **LOC (12) Cl.** **06-01**
(52) **U.S. Cl.**
USPC **D6/336**

(58) **Field of Classification Search**
USPC D6/334-336, 654, 360, 364, 365, 367,
D6/379, 380
CPC A47C 1/00; A47C 1/04; A47C 1/08; A47C
3/00; A47C 3/0026; A47C 3/18; A47C
3/20; A47C 3/30; A47C 7/00; A47C
7/002; A47C 7/004; A47C 7/02; A47C
7/50; A47C 7/506; A47C 7/563; A47C
7/68; A47C 7/70; A47C 9/00
See application file for complete search history.

(56) **References Cited**

U.S. PATENT DOCUMENTS

D261,578 S * 11/1981 Heritage D6/338
4,863,217 A * 9/1989 Fountain A47C 1/08
297/241

6,669,282 B2 * 12/2003 Piretti A47C 3/04
297/162
D783,297 S * 4/2017 Tsai D6/336
D802,949 S * 11/2017 Toll A47C 3/04
D6/354
D829,010 S * 9/2018 Meoli, Jr. A47C 1/08
D6/336
2007/0138843 A1 * 6/2007 Jonsson A47C 7/002
297/157.1
2007/0158993 A1 * 7/2007 Groelsma A47C 7/506
297/423.38
2011/0031785 A1 * 2/2011 Steenson A47C 7/546
297/161
2014/0091604 A1 * 4/2014 Chatrenet B64D 11/0689
297/217.3
2017/0013960 A1 * 1/2017 Richardson A47C 3/00

* cited by examiner

Primary Examiner — Mary Ann Calabrese

(57) **CLAIM**

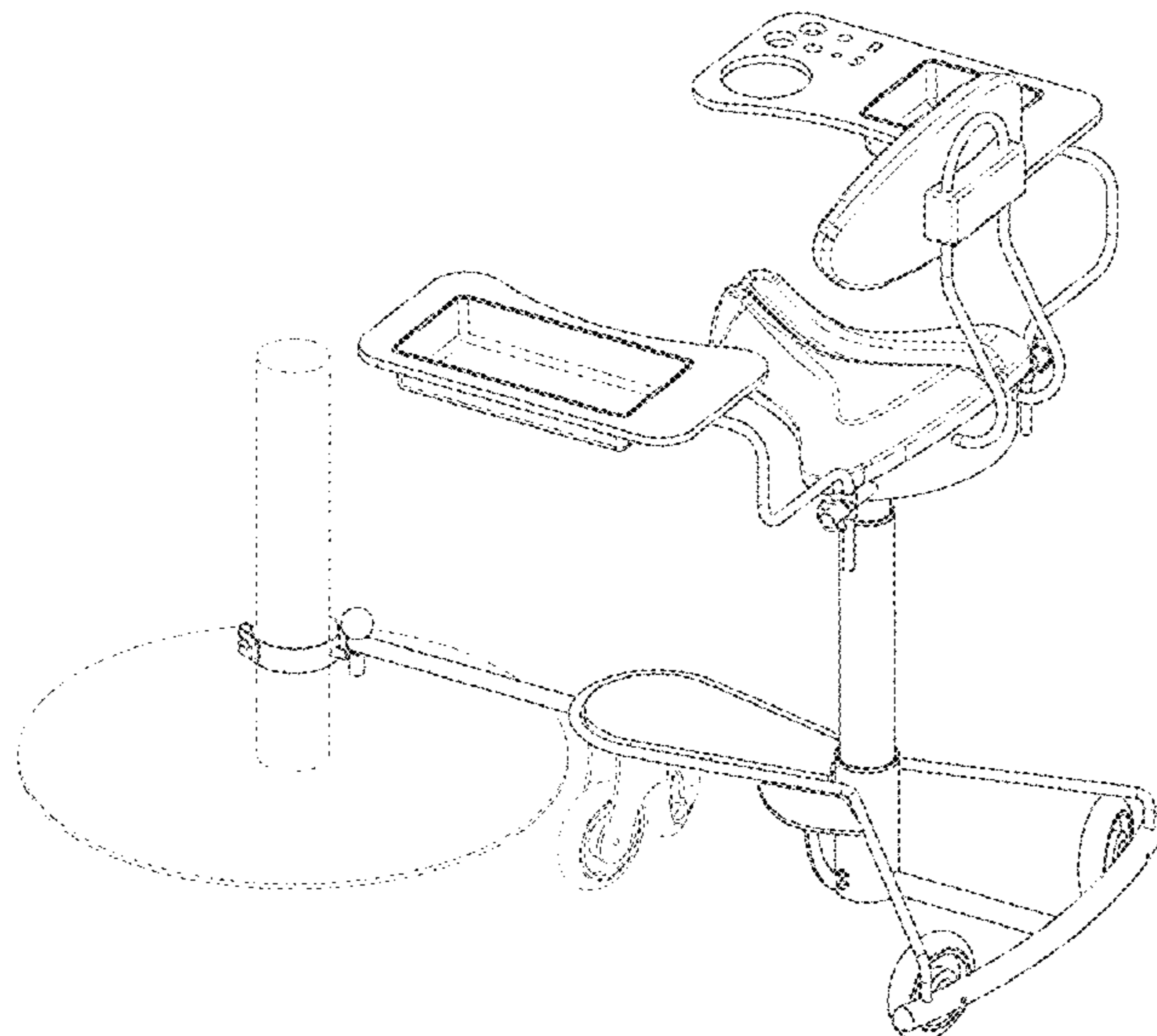
The ornamental design for a swivel chair, as shown and described.

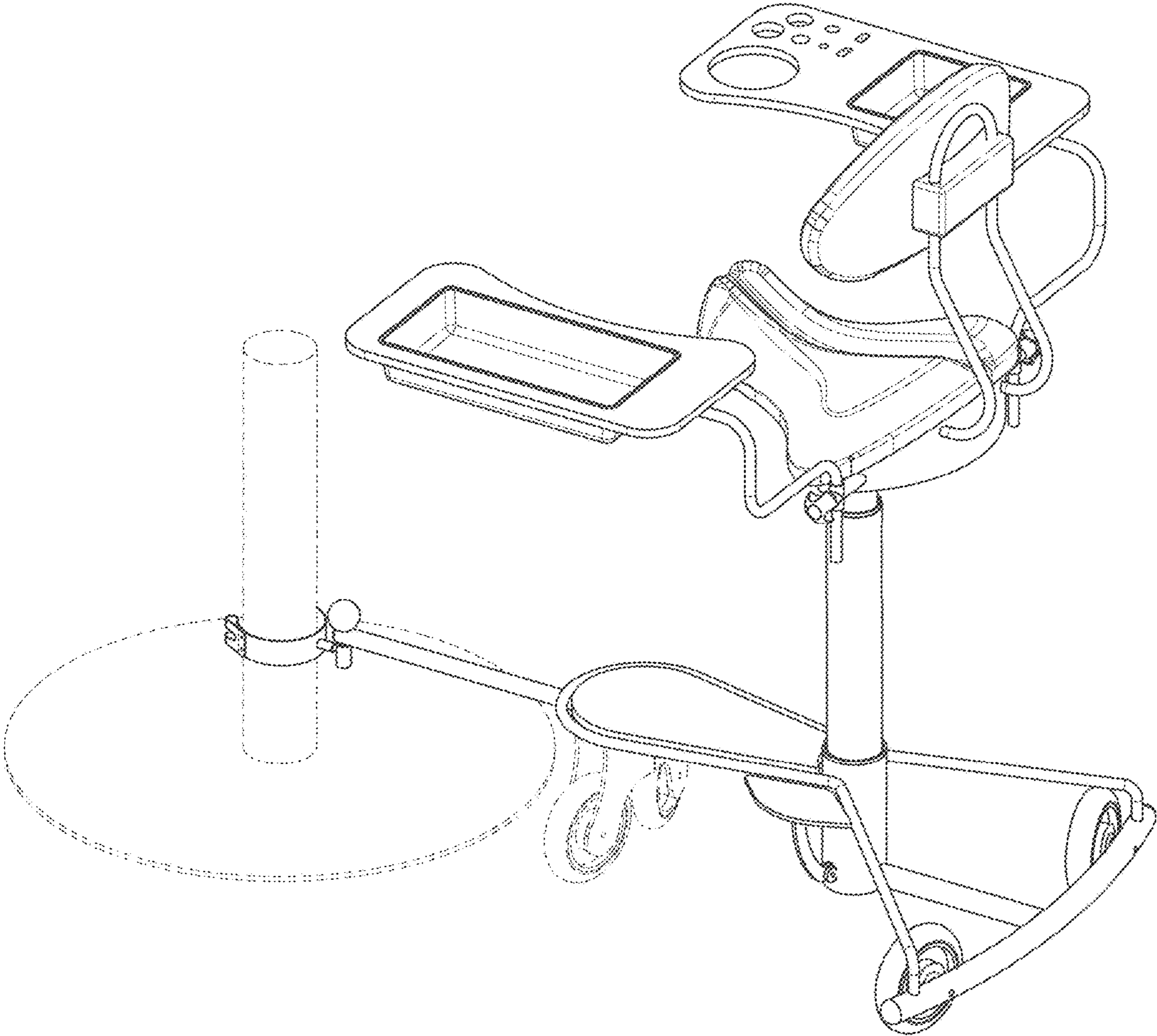
DESCRIPTION

- 1. Swivel chair
- 1.1 : Perspective
- 1.2 : Front
- 1.3 : Top
- 1.4 : Left
- 1.5 : Back
- 1.6 : Bottom
- 1.7 : Right

The broken lines illustrate environment and show portions of the swivel chair that form no part of the claimed design.

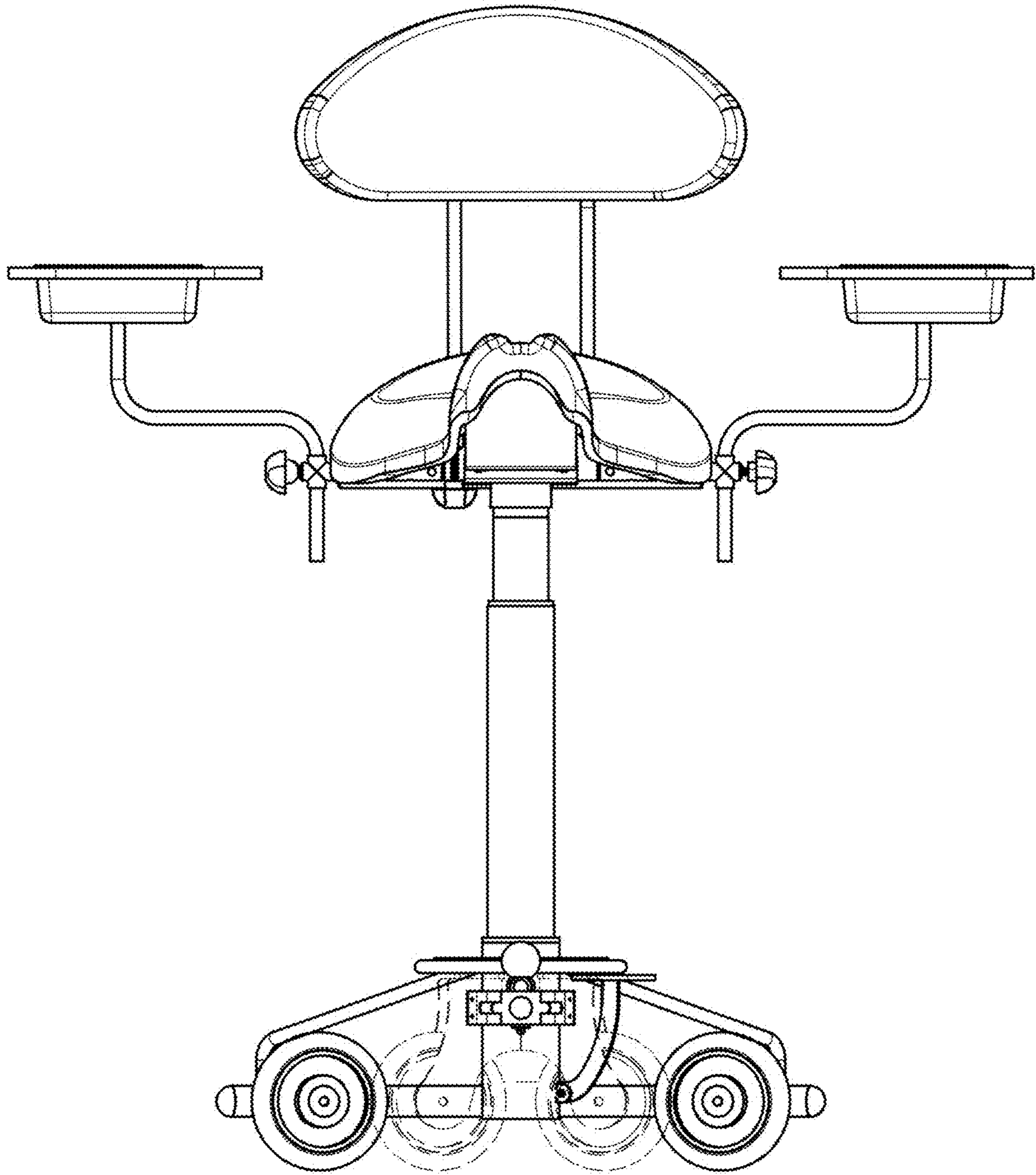
1 Claim, 7 Drawing Sheets



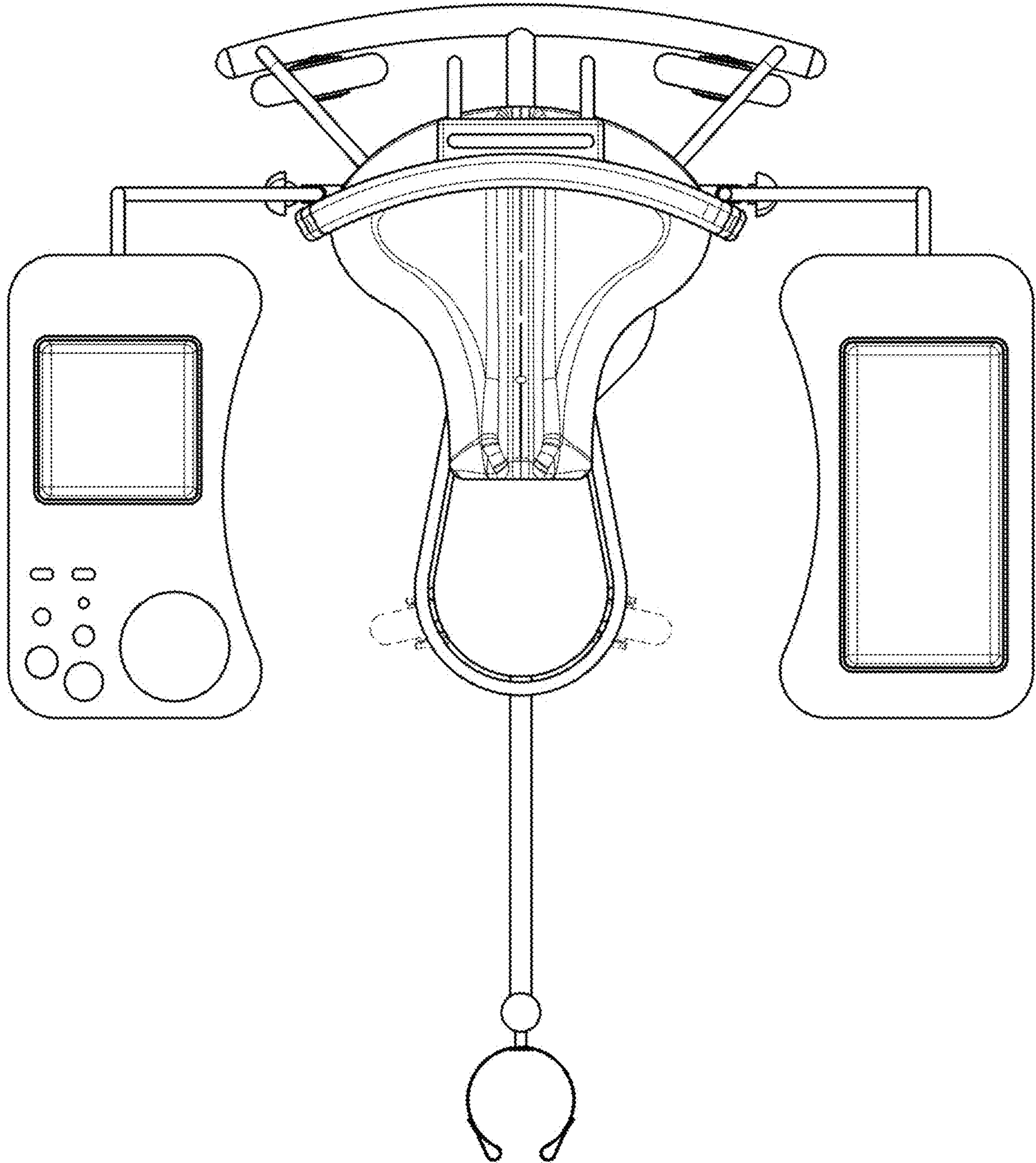


1.1

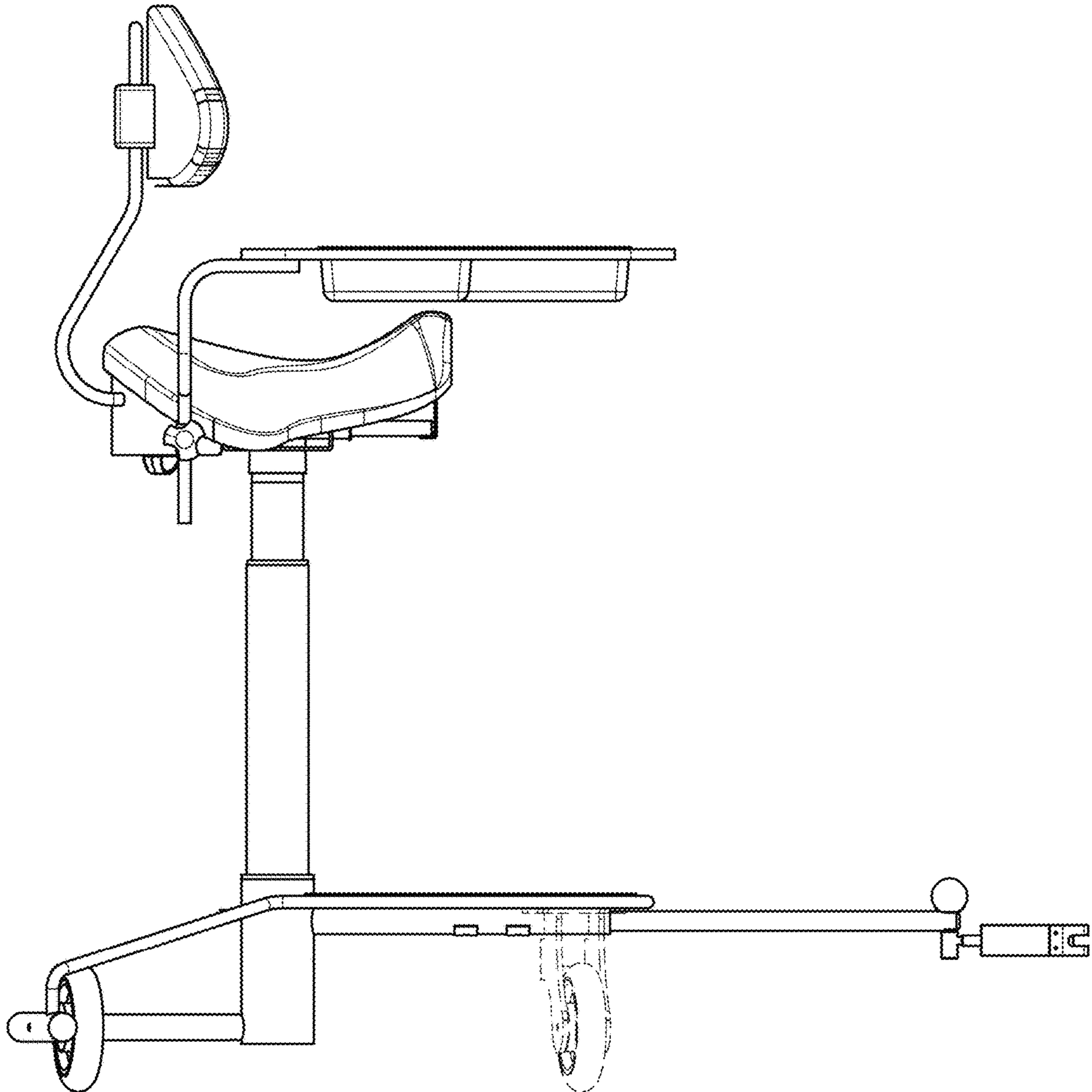
1.2



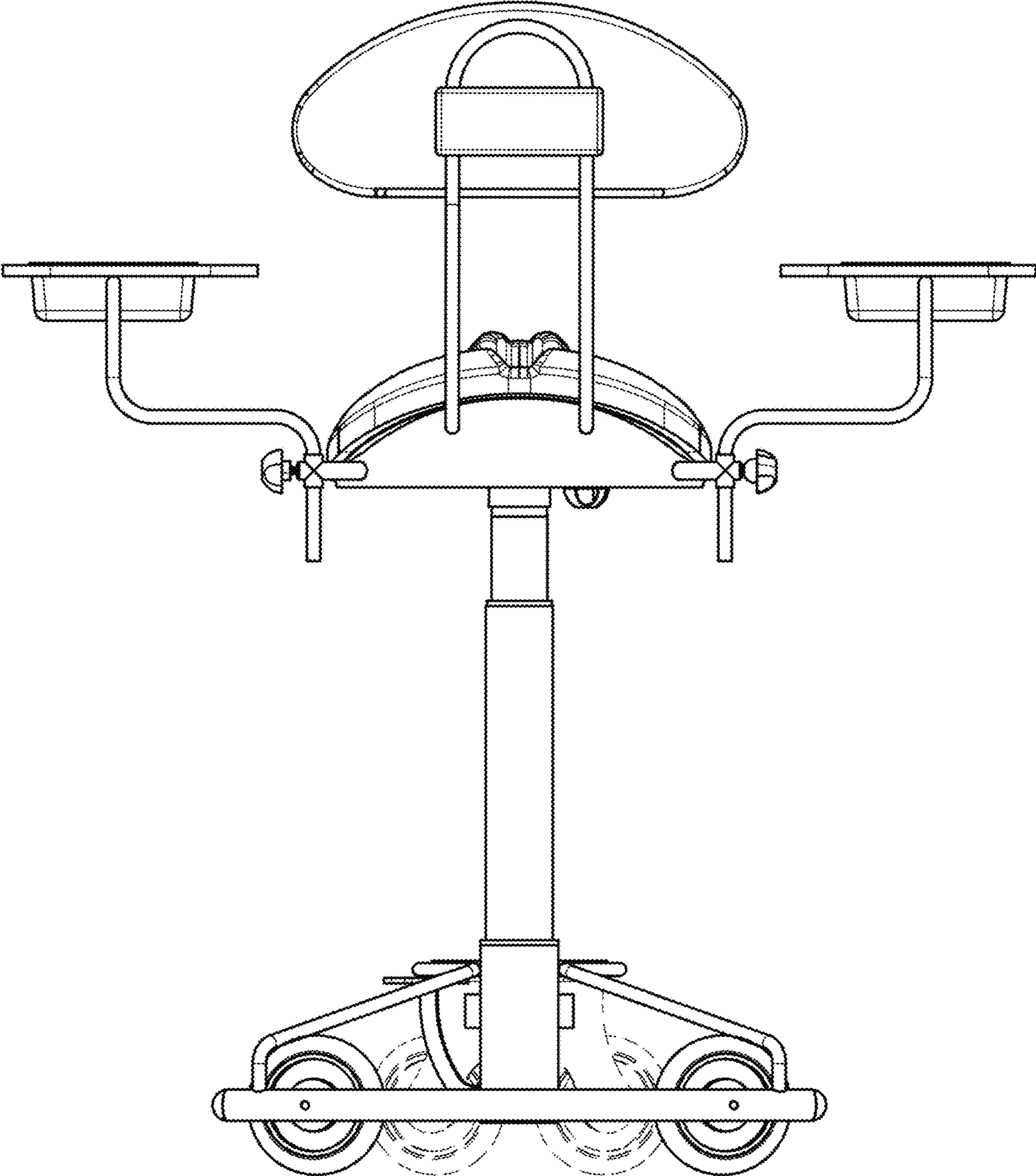
1.3



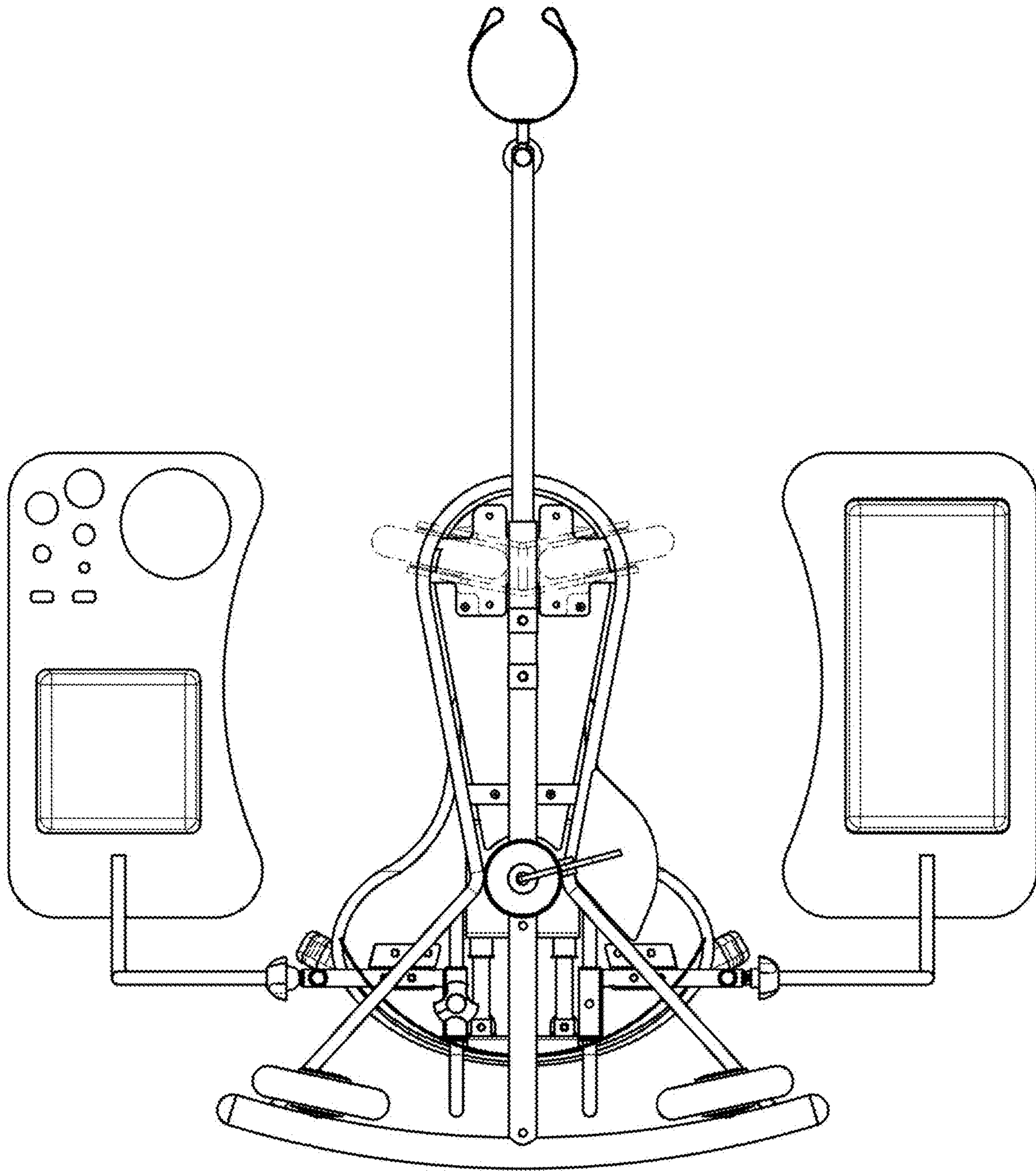
1.4



1.5



1.6



1.7

