



US00D901909S

(12) **United States Design Patent**  
**Yau**

(10) **Patent No.:** **US D901,909 S**  
(45) **Date of Patent:** **\*\* Nov. 17, 2020**

- (54) **HANGER**
- (71) Applicant: **Wai Shing Yau**, Kowloon (HK)
- (72) Inventor: **Wai Shing Yau**, Kowloon (HK)
- (\*\*) Term: **15 Years**
- (21) Appl. No.: **29/725,736**
- (22) Filed: **Feb. 26, 2020**

|               |         |            |                        |
|---------------|---------|------------|------------------------|
| 2,200,669 A   | 5/1940  | Cook       |                        |
| 2,209,864 A   | 7/1940  | Warren     |                        |
| 2,337,723 A   | 12/1943 | Levin      |                        |
| 2,379,634 A   | 7/1945  | Hall       |                        |
| 2,434,142 A * | 1/1948  | Bryn ..... | A47G 25/0657<br>223/96 |
| 2,996,226 A   | 8/1961  | Crockett   |                        |
| 3,073,491 A   | 1/1963  | Brooke     |                        |
| D198,484 S    | 6/1964  | Bertram    |                        |
| 3,415,432 A   | 12/1968 | Caves      |                        |
| D213,929 S    | 4/1969  | Cauthen    |                        |
| D222,568 S    | 11/1971 | Battles    |                        |

(Continued)

**Related U.S. Application Data**

- (62) Division of application No. 29/589,418, filed on Dec. 30, 2016, now Pat. No. Des. 878,063.
- (51) **LOC (12) Cl.** ..... **06-08**
- (52) **U.S. Cl.**  
USPC ..... **D6/326**
- (58) **Field of Classification Search**  
USPC ..... D6/315–328  
CPC ..... A47G 25/32; A47G 25/26; A47G 25/28;  
A47G 25/485; A47G 25/487; A47G  
25/20; A47G 25/481; A47G 25/442;  
A47G 25/24; A47G 25/48; A47G 25/486;  
A47G 25/36; A47G 25/1407; A47G  
25/30; A47G 25/14; A47G 25/743; A47G  
25/1457

See application file for complete search history.

(56) **References Cited**

**U.S. PATENT DOCUMENTS**

|               |         |               |                       |
|---------------|---------|---------------|-----------------------|
| 1,018,056 A   | 2/1912  | Hincher       |                       |
| 1,515,489 A * | 11/1924 | Johnson ..... | A47G 25/481<br>223/96 |
| 1,955,792 A   | 4/1934  | Deknatel      |                       |
| 2,119,934 A * | 6/1938  | Woods .....   | A47G 25/481<br>223/96 |
| 2,163,295 A * | 6/1939  | Subick .....  | A47G 25/481<br>223/96 |

*Primary Examiner* — Lauren R Calve

(74) *Attorney, Agent, or Firm* — Baker & McKenzie LLP

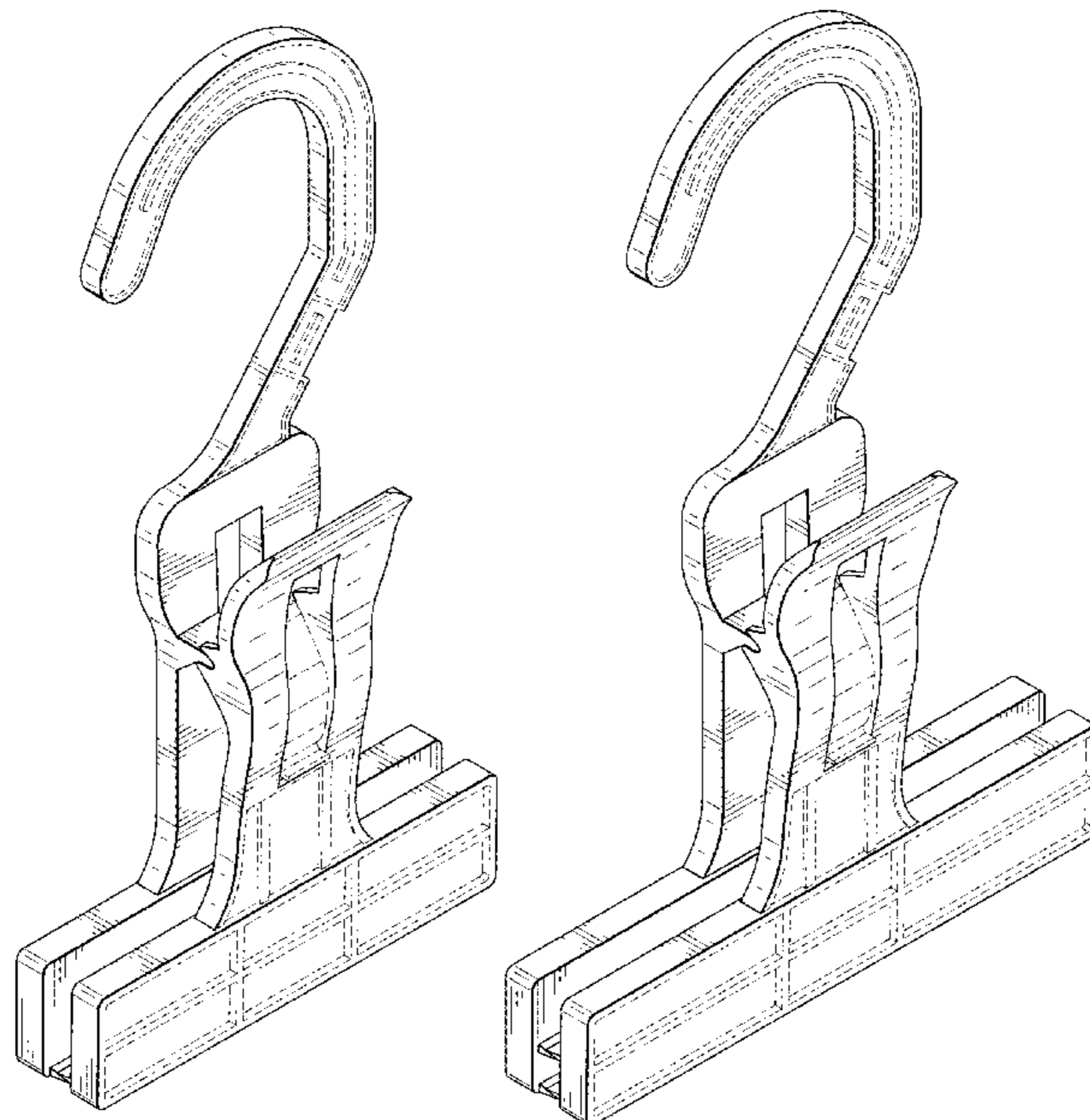
(57) **CLAIM**

The ornamental design for a hanger, as shown and described.

**DESCRIPTION**

FIG. 1 is a perspective view of a hanger according to the disclosed design;  
 FIG. 2 is a front view of the hanger shown in FIG. 1;  
 FIG. 3 is a rear view of the hanger shown in FIG. 1;  
 FIG. 4 is a first side view of the hanger shown in FIG. 1;  
 FIG. 5 is a second side view of the hanger shown in FIG. 1;  
 FIG. 6 is a top view of the hanger shown in FIG. 1;  
 FIG. 7 is a bottom view of the hanger shown in FIG. 1;  
 FIG. 8 is a perspective view of a second embodiment of a hanger according to the disclosed design;  
 FIG. 9 is a front view of the hanger shown in FIG. 8;  
 FIG. 10 is a rear view of the hanger shown in FIG. 8;  
 FIG. 11 is a first side view of the hanger shown in FIG. 8;  
 FIG. 12 is a second side view of the hanger shown in FIG. 8;  
 FIG. 13 is a top view of the hanger shown in FIG. 8; and,  
 FIG. 14 is a bottom view of the hanger shown in FIG. 8.

**1 Claim, 10 Drawing Sheets**



(56)

**References Cited**

U.S. PATENT DOCUMENTS

3,698,043 A \* 10/1972 Batts ..... A44B 99/00  
223/87  
D227,331 S 6/1973 Levitin  
3,823,855 A 7/1974 Dohring  
D235,403 S 6/1975 Brown  
3,923,213 A \* 12/1975 George ..... A47G 25/483  
223/96  
3,984,037 A 10/1976 Peterson  
4,029,240 A 6/1977 George et al.  
4,394,791 A \* 7/1983 Groth ..... B65D 33/1675  
24/30.5 R  
4,609,132 A 9/1986 Brokenshire  
4,927,063 A 5/1990 Fricano  
8,016,170 B2 9/2011 Johnson  
8,201,310 B1 6/2012 Abdi et al.  
9,930,983 B2 4/2018 Ballard  
D870,471 S \* 12/2019 Kariker ..... D6/326  
D878,063 S \* 3/2020 Yau ..... D6/326  
2007/0007312 A1 1/2007 Kraus, Jr.  
2013/0228598 A1 9/2013 Xie  
2018/0184830 A1 7/2018 Yau

\* cited by examiner

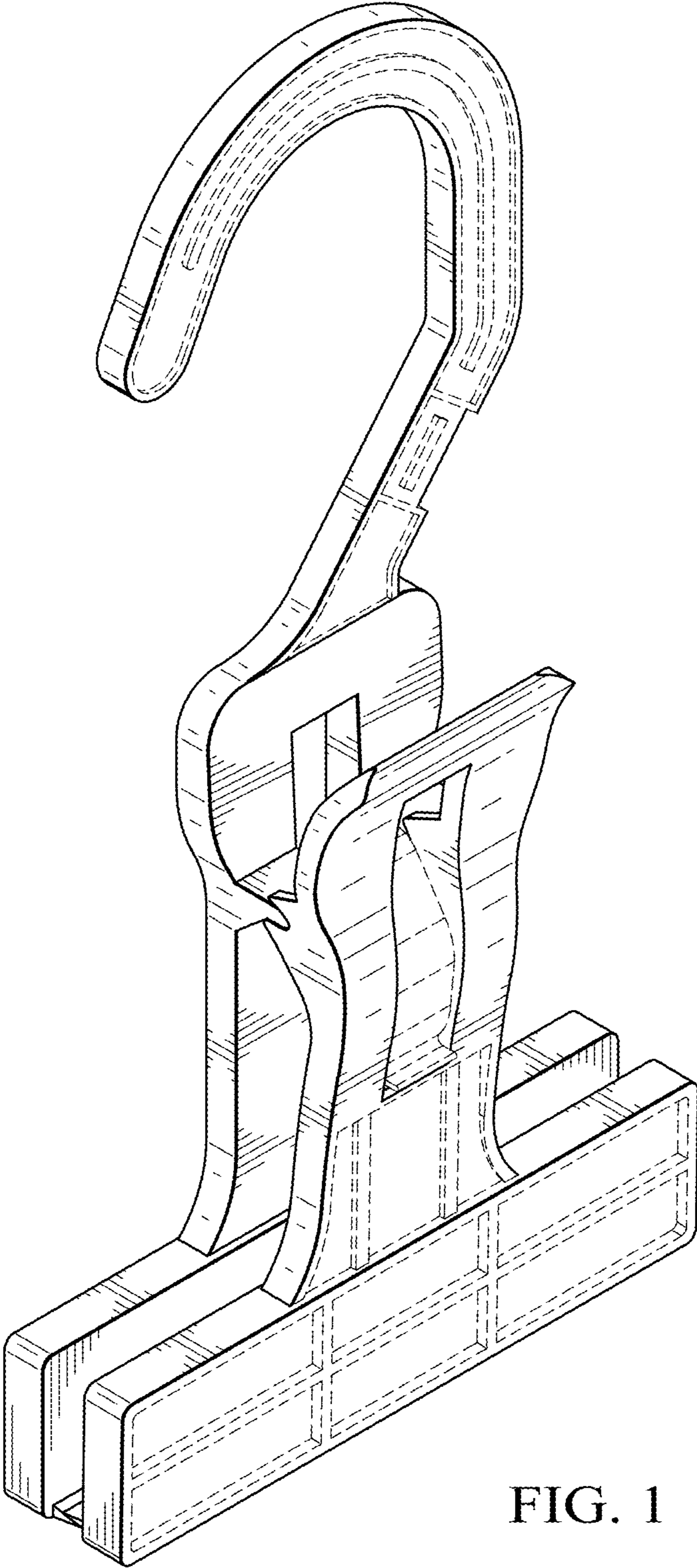


FIG. 1

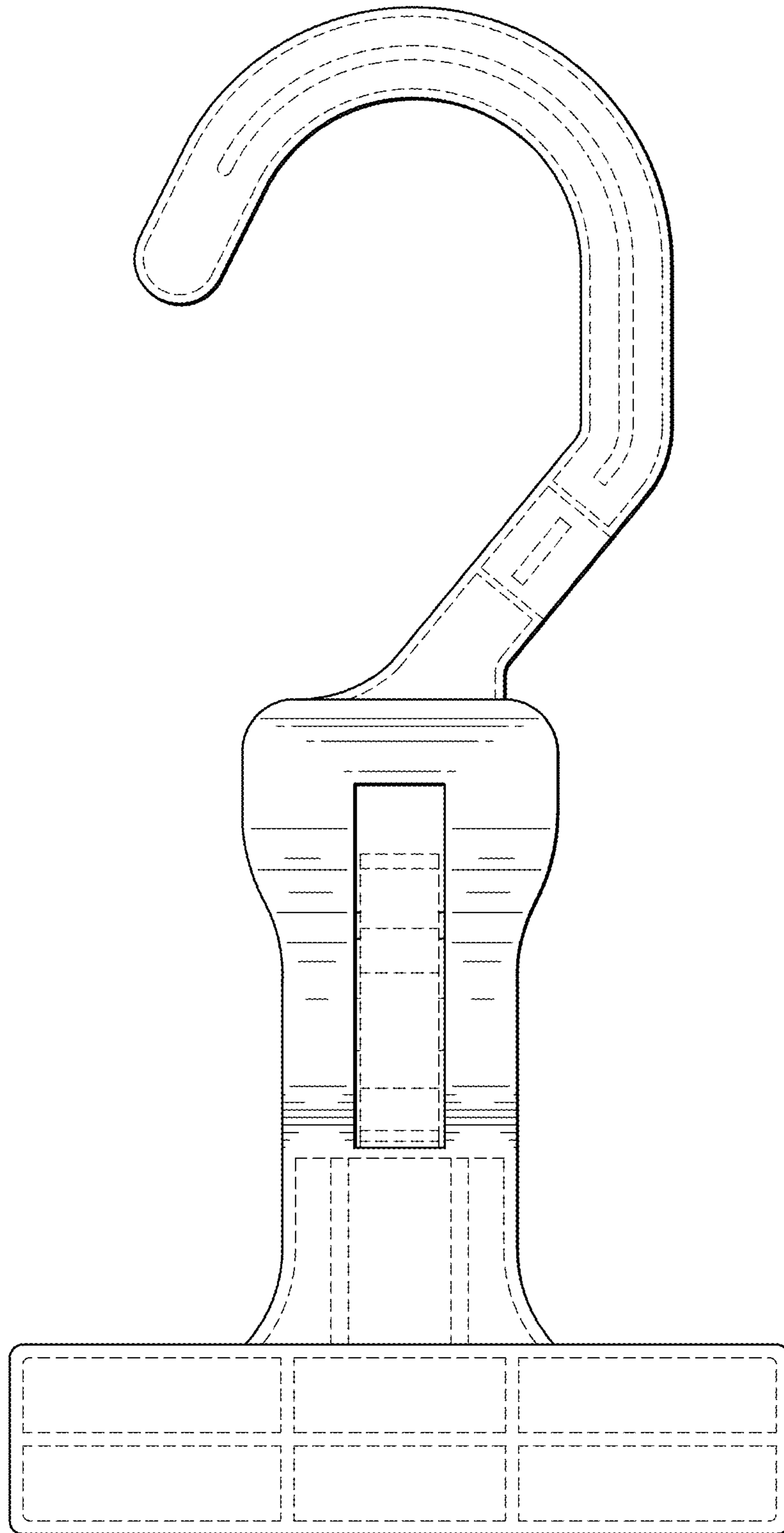


FIG. 2

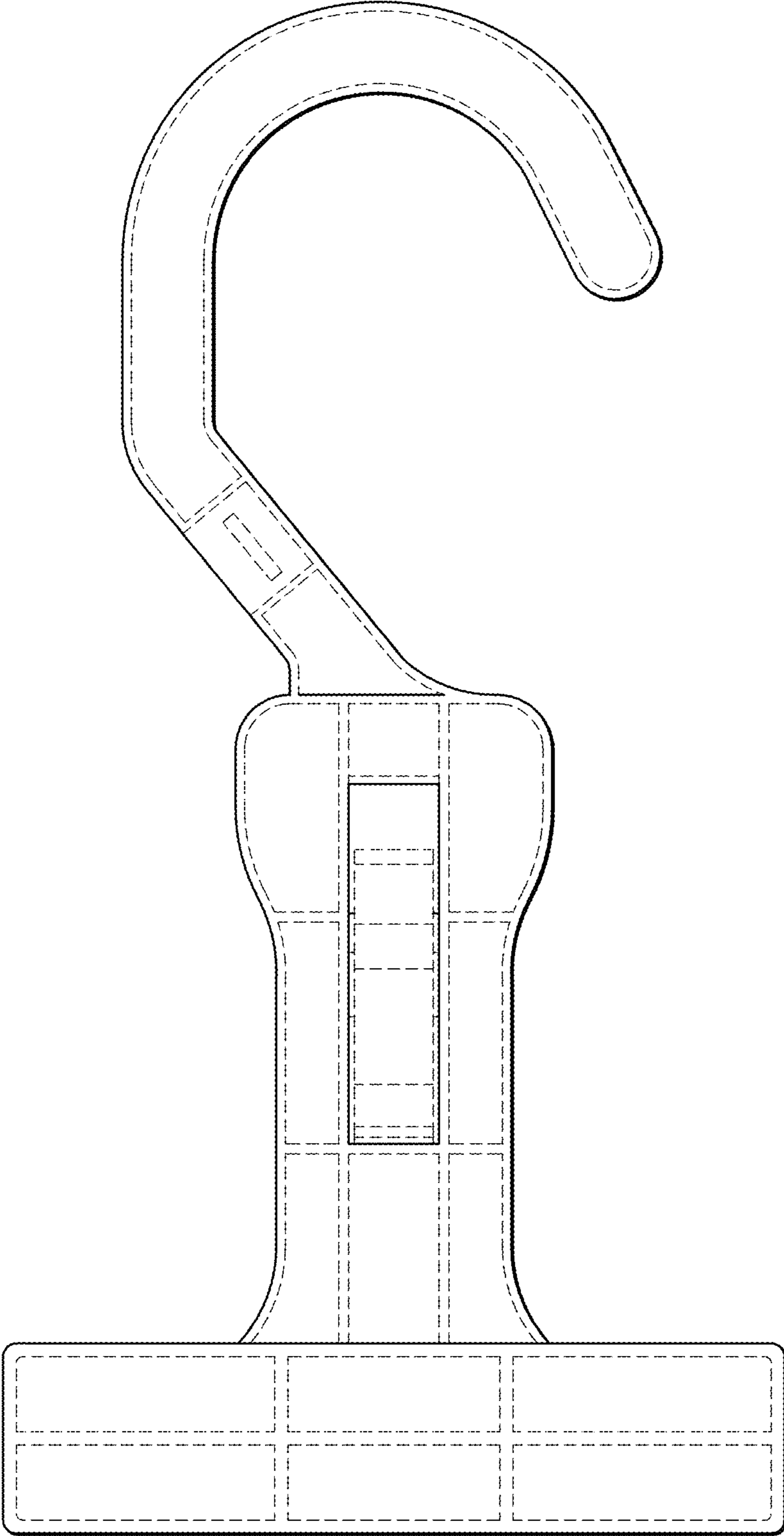


FIG. 3

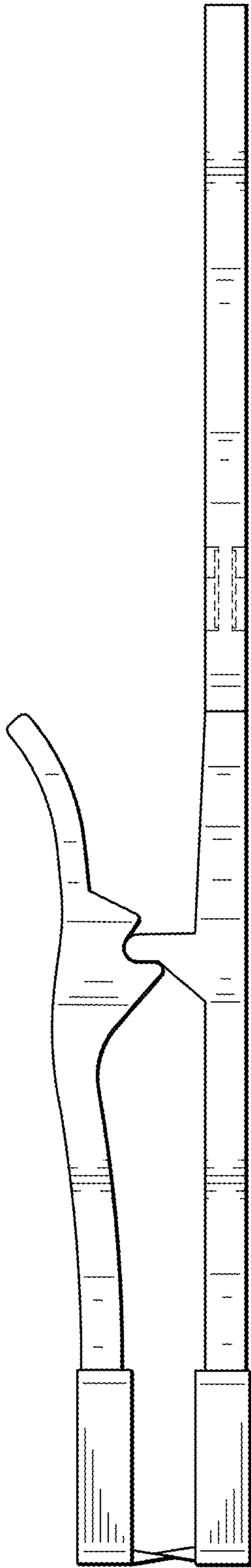


FIG. 4

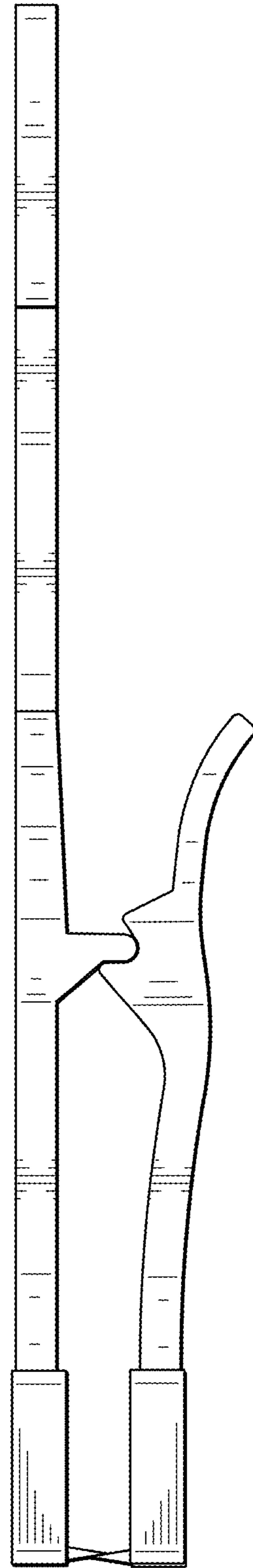


FIG. 5

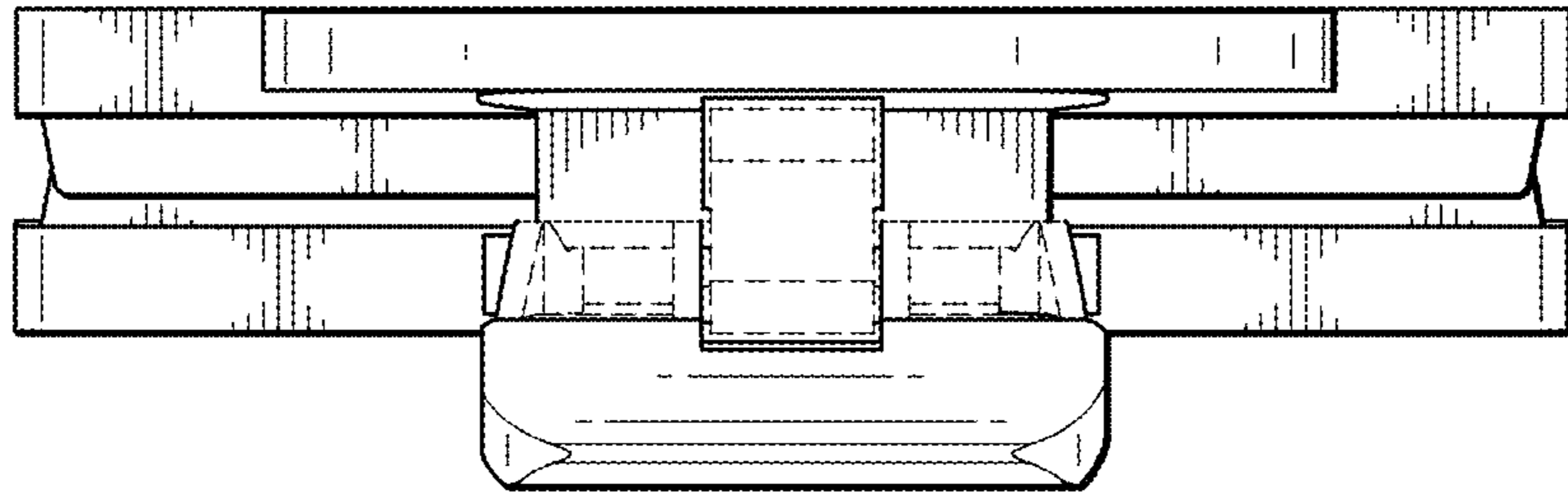


FIG. 6

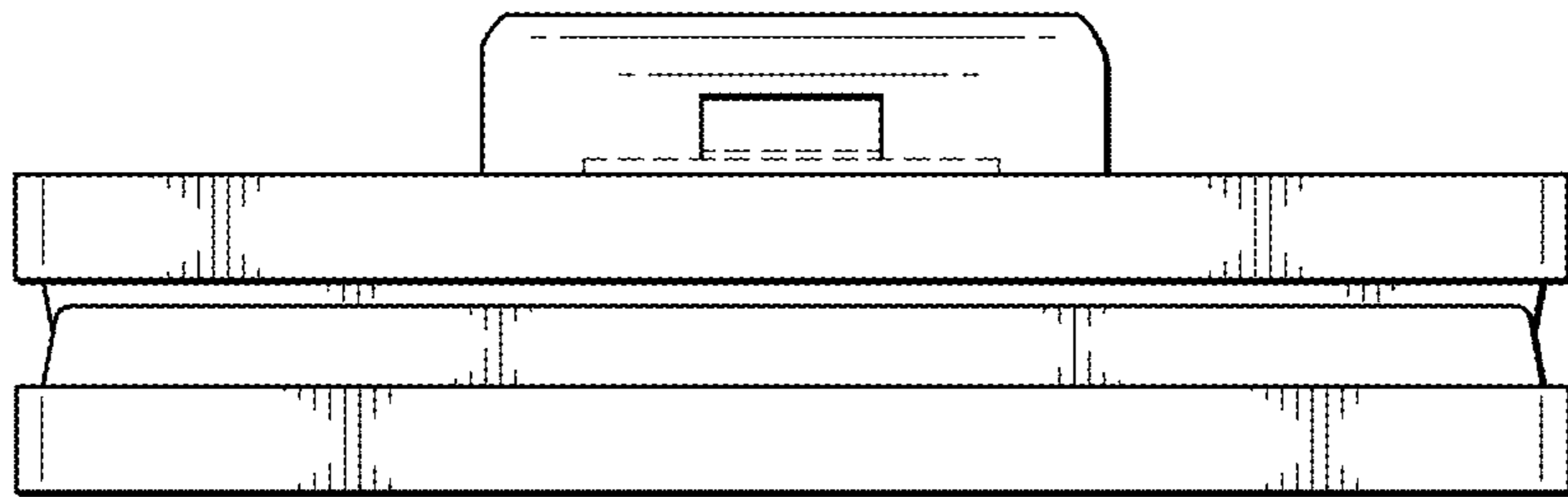


FIG. 7

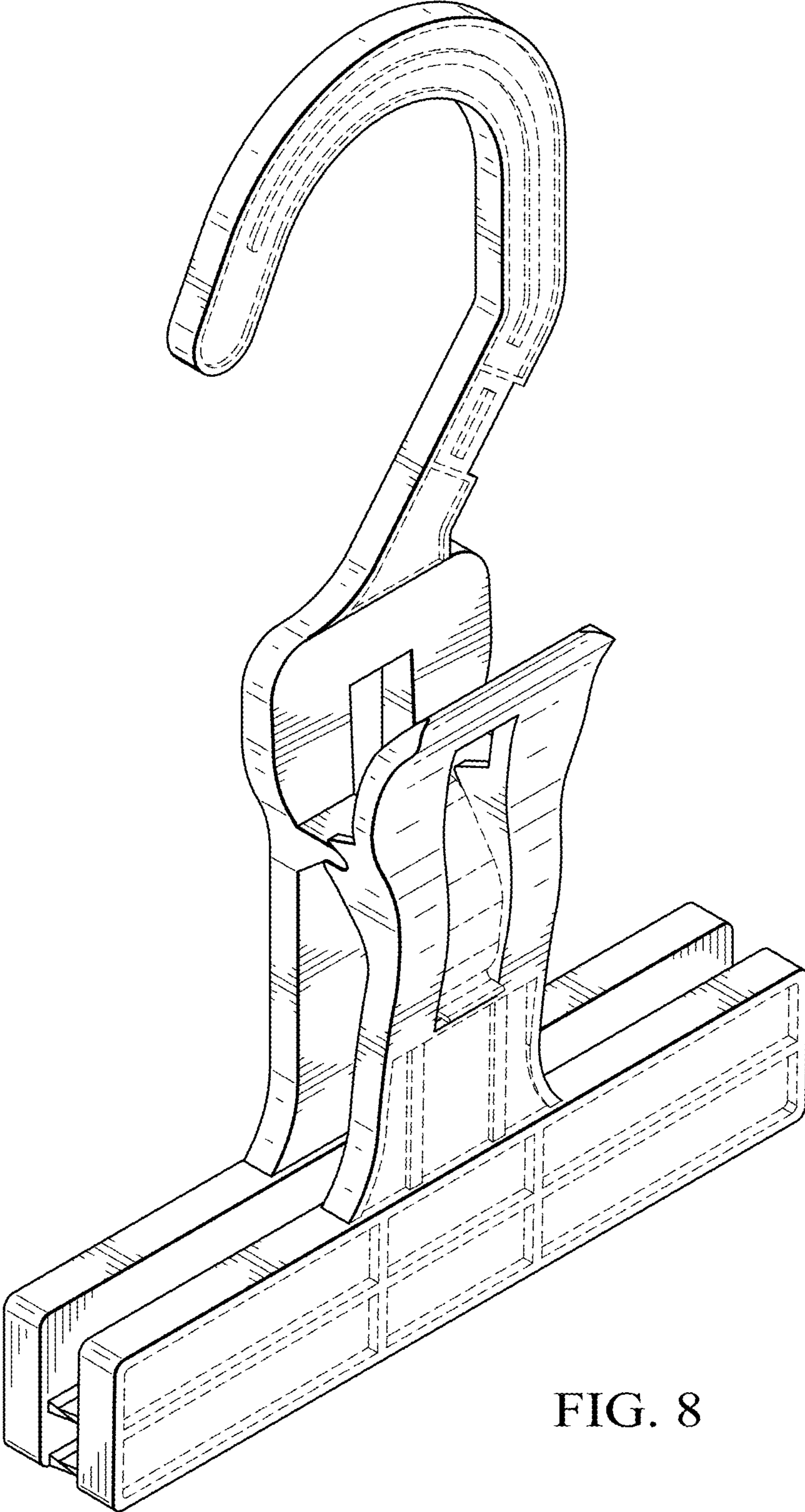


FIG. 8



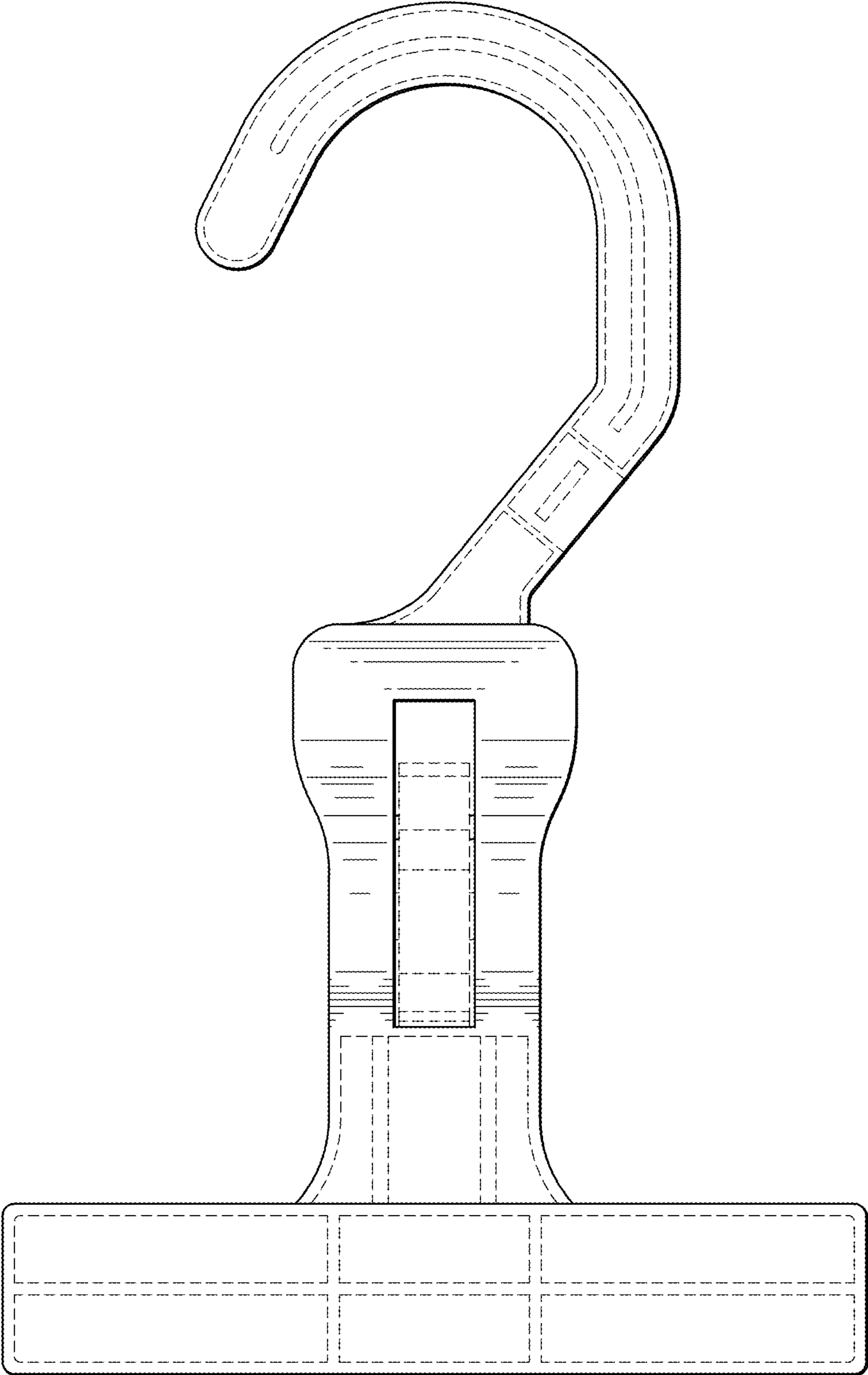


FIG. 9

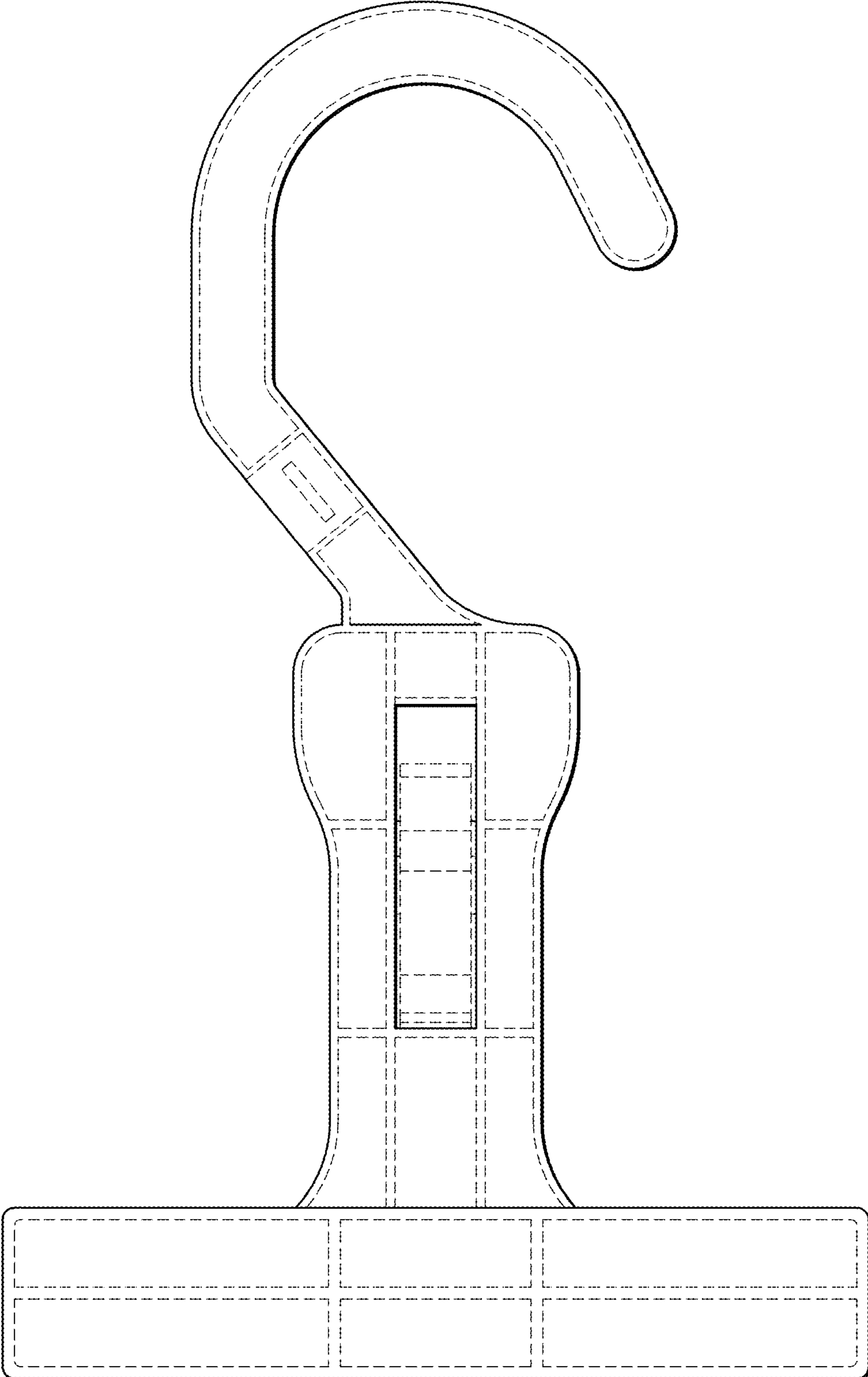


FIG. 10

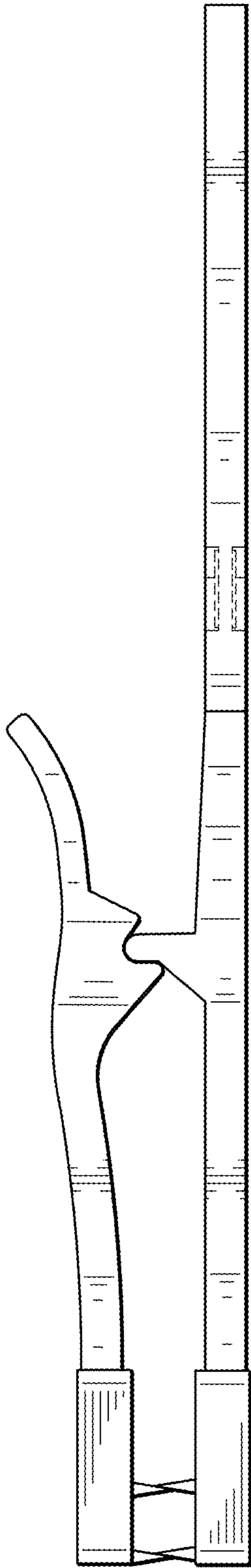


FIG. 11

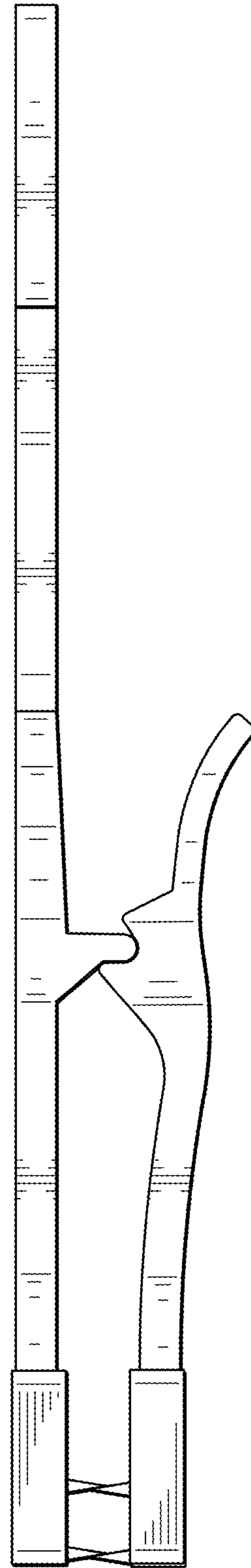


FIG. 12

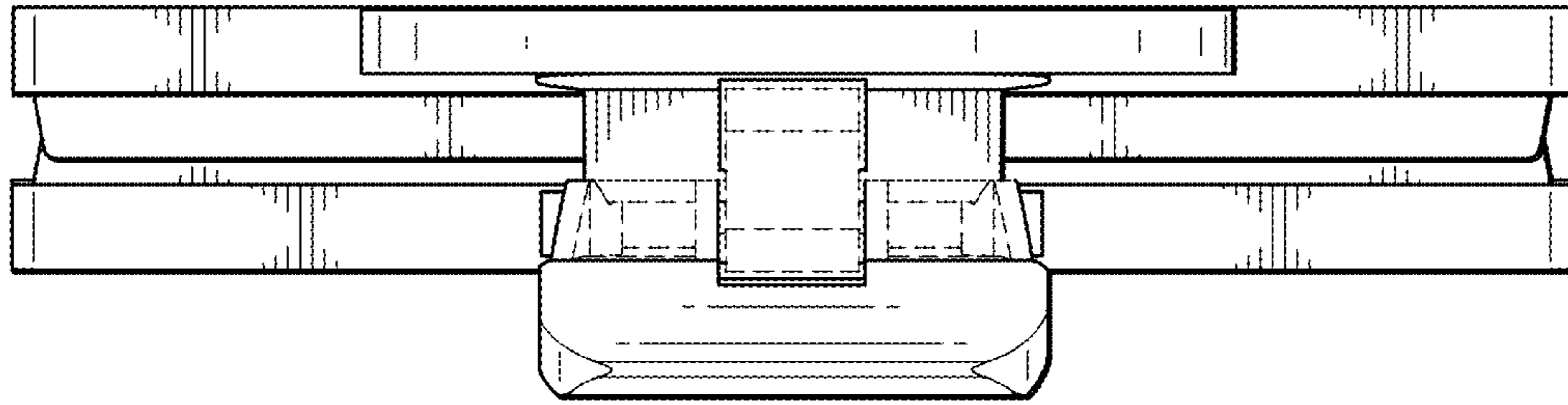


FIG. 13

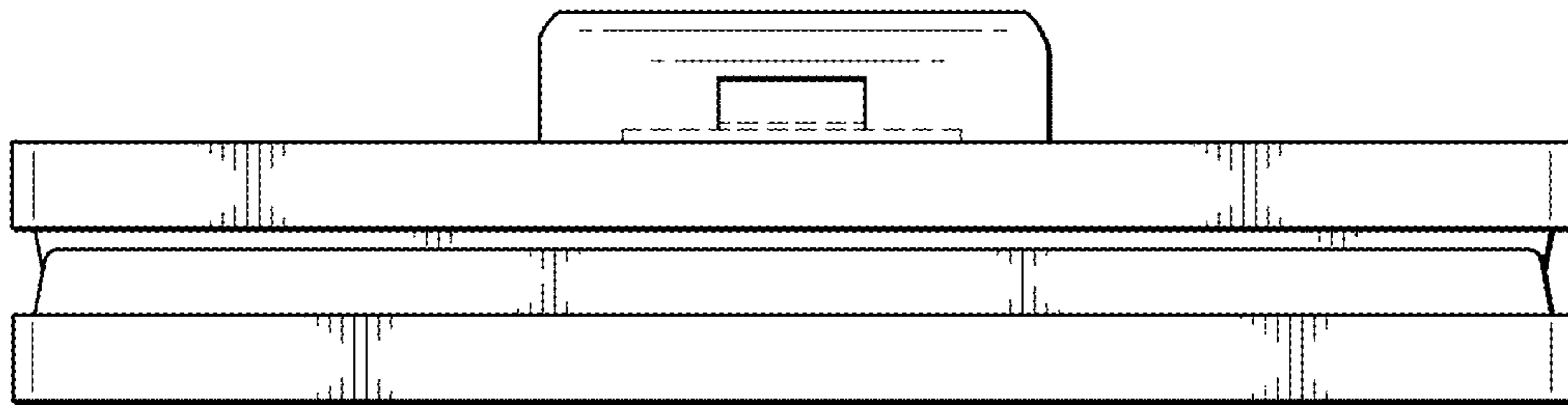


FIG. 14