



US00D901907S

(12) **United States Design Patent** (10) **Patent No.:** **US D901,907 S**
Sakai (45) **Date of Patent:** **** Nov. 17, 2020**

(54) **PHOTO FRAME FOR TOY BEADS**
(71) Applicant: **EPOCH COMPANY LTD**, Tokyo (JP)
(72) Inventor: **Ryo Sakai**, Tokyo (JP)
(73) Assignee: **EPOCH COMPANY, LTD.**, Tokyo (JP)
(**) Term: **15 Years**

D606,763 S * 12/2009 Chiu D14/371
D629,802 S * 12/2010 Chiu D14/371
D632,500 S * 2/2011 Schmitt D6/300
D651,209 S * 12/2011 Chiu D14/371
(Continued)

(21) Appl. No.: **29/689,488**
(22) Filed: **Apr. 30, 2019**

FOREIGN PATENT DOCUMENTS

CN 305335202 * 4/2019
RU 00119444 * 4/2019

(30) **Foreign Application Priority Data**

Nov. 2, 2018 (JP) 2018-024152

(51) **LOC (12) Cl.** **06-07**
(52) **U.S. Cl.**
USPC **D6/303**

OTHER PUBLICATIONS

Aquabeads 3D Picture Frame Set [online], [site visited Jun. 30, 2020]. Available from internet, URL: <https://www.aquabeadsart.com/th-th/catalog_item.html?product id=458> (Year: 2020).*

(58) **Field of Classification Search**
USPC D6/300, 301, 302, 303, 304, 307, 308, D6/309, 310, 311, 312, 313, 314; D10/15, 21, 24; D14/336, 341, 371, 372, D14/374, 381, 382, 448, 450; D20/10, D20/27; D21/324, 332, 469, 513, 515
CPC A47G 1/0616; A47G 1/142; A47G 2001/0694; A47G 1/06; A47G 1/0605; A47G 1/0633; A47G 1/0638; A47G 1/0644; A47G 1/08; A47G 1/10; A47G 1/14; A47G 1/141; A47G 1/16; A47G 1/1606; A47G 1/1613; A47G 2001/0661; A47G 2001/0672; A47G 2001/0688; A47G 2001/148; G06F 1/1654
See application file for complete search history.

(Continued)

Primary Examiner — Cynthia Ramirez
Assistant Examiner — Xavier Marti-Santos
(74) *Attorney, Agent, or Firm* — Fitzgerald IP Law; John K Fitzgerald, Esq.

(56) **References Cited**

U.S. PATENT DOCUMENTS

D497,909 S * 11/2004 Lin D14/371
D560,916 S * 2/2008 Schmitt D6/300

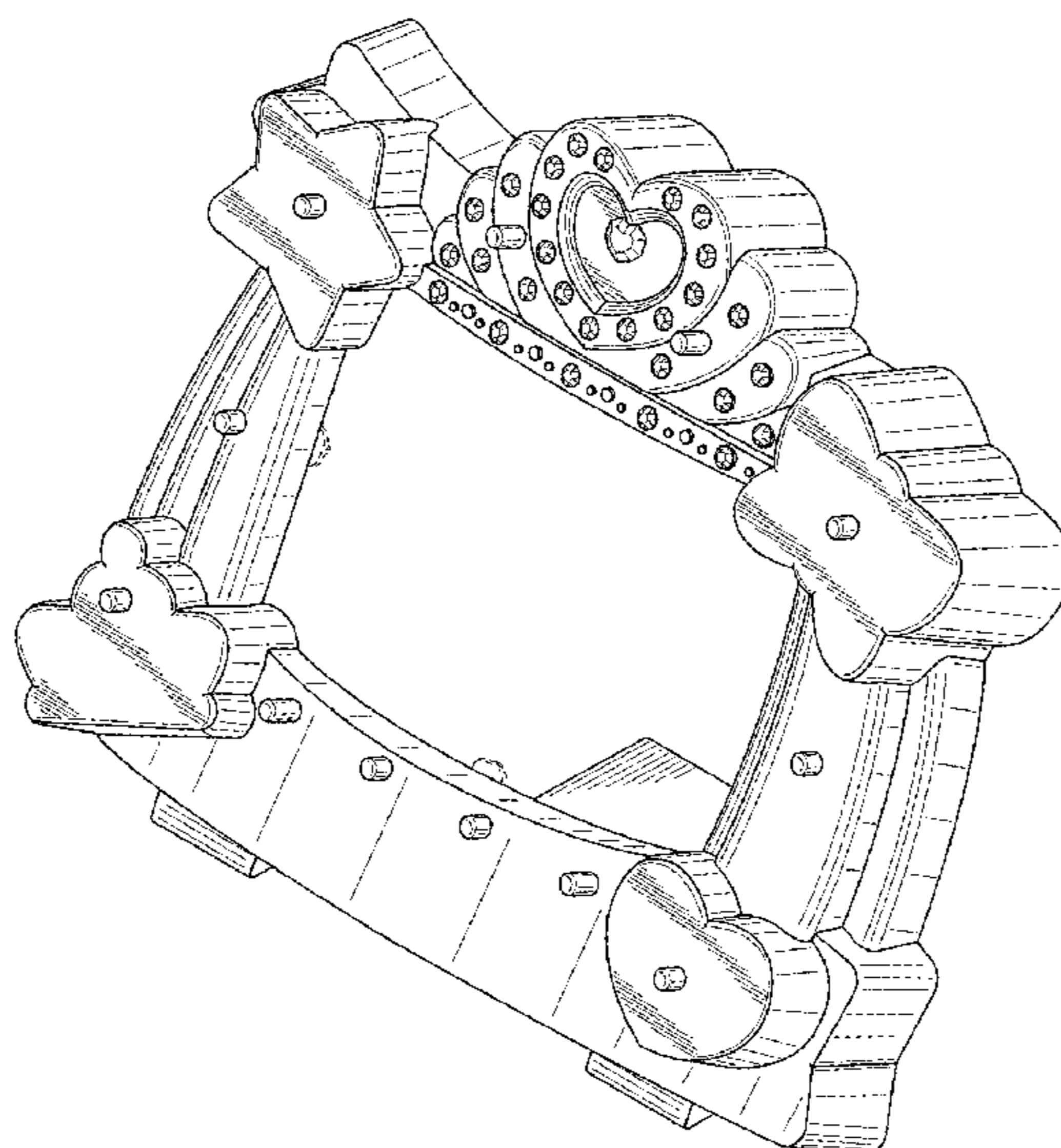
(57) **CLAIM**

The ornamental design for a photo frame for toy beads, as shown and described.

DESCRIPTION

FIG. 1 is a perspective view of portions of the front, top, and right sides of a photo frame for toy beads showing my new design;
FIG. 2 is a front view thereof;
FIG. 3 is a rear view thereof;
FIG. 4 is a top view thereof;
FIG. 5 is a bottom view thereof;
FIG. 6 is a right view thereof; and,
FIG. 7 is a left view thereof.
The broken lines shown are included for the purpose of illustrating portions of the photo frame for toy beads, which form no part of the claimed design.

1 Claim, 7 Drawing Sheets



(56)

References Cited

U.S. PATENT DOCUMENTS

8,187,051 B2 * 5/2012 Miller G06F 3/0488
345/156
D661,497 S * 6/2012 Chiu D6/303
8,426,775 B2 * 4/2013 Frank A63H 33/3055
219/201
D735,189 S * 7/2015 Ji D14/341
2017/0246551 A1 * 8/2017 Kamiyama A63H 33/001

OTHER PUBLICATIONS

Aquabeads 31365 3D Picture Frame Set, announced 2019 [online],
[site visited Jun. 30, 2020]. Available from internet, URL: <<https://www.amazon.co.uk/Aquabeads-31365-Picture-Frame-Set/dp/B07S86RGJ8>> (Year: 2019).*

* cited by examiner

FIG. 1

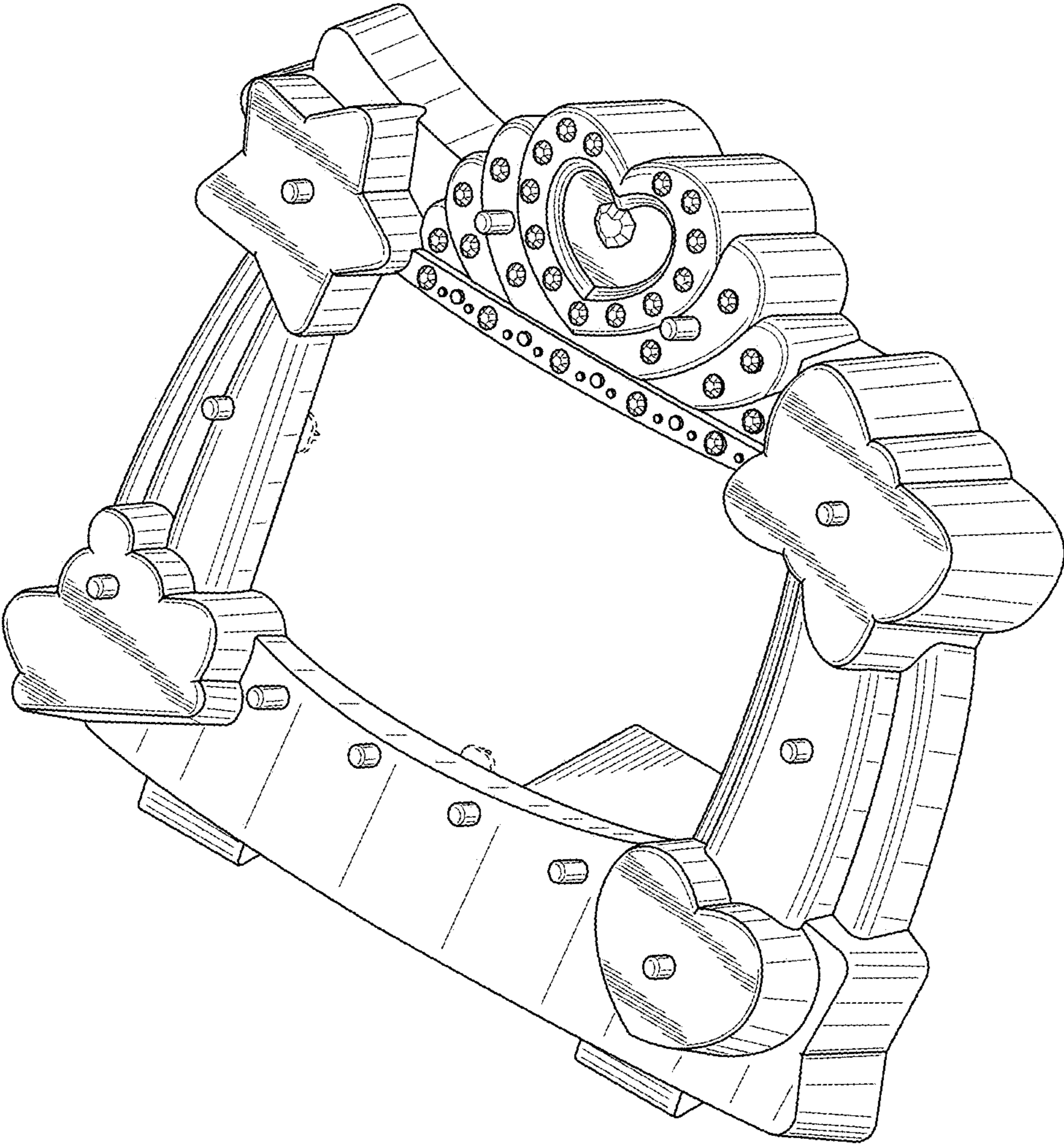


FIG. 2

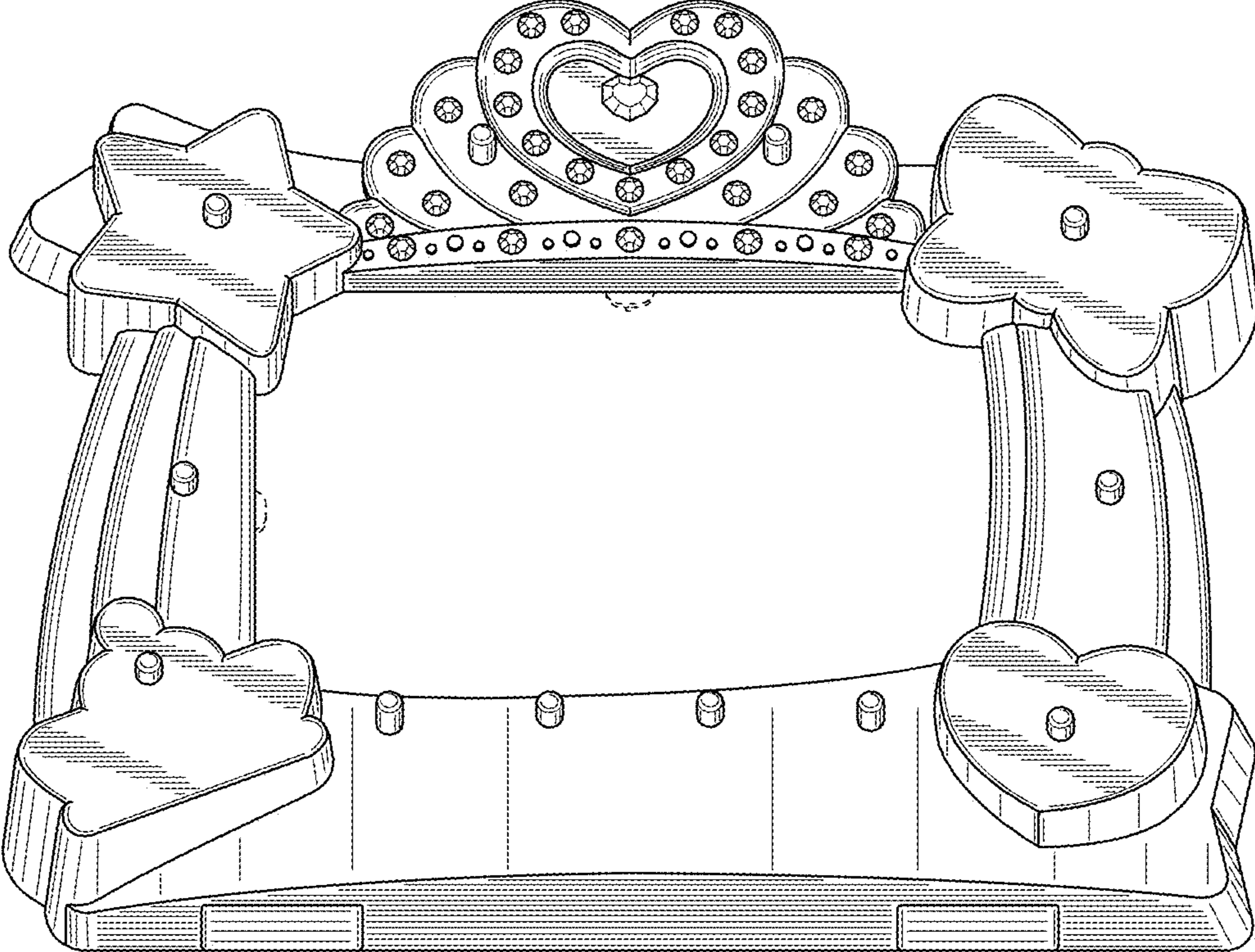


FIG. 3

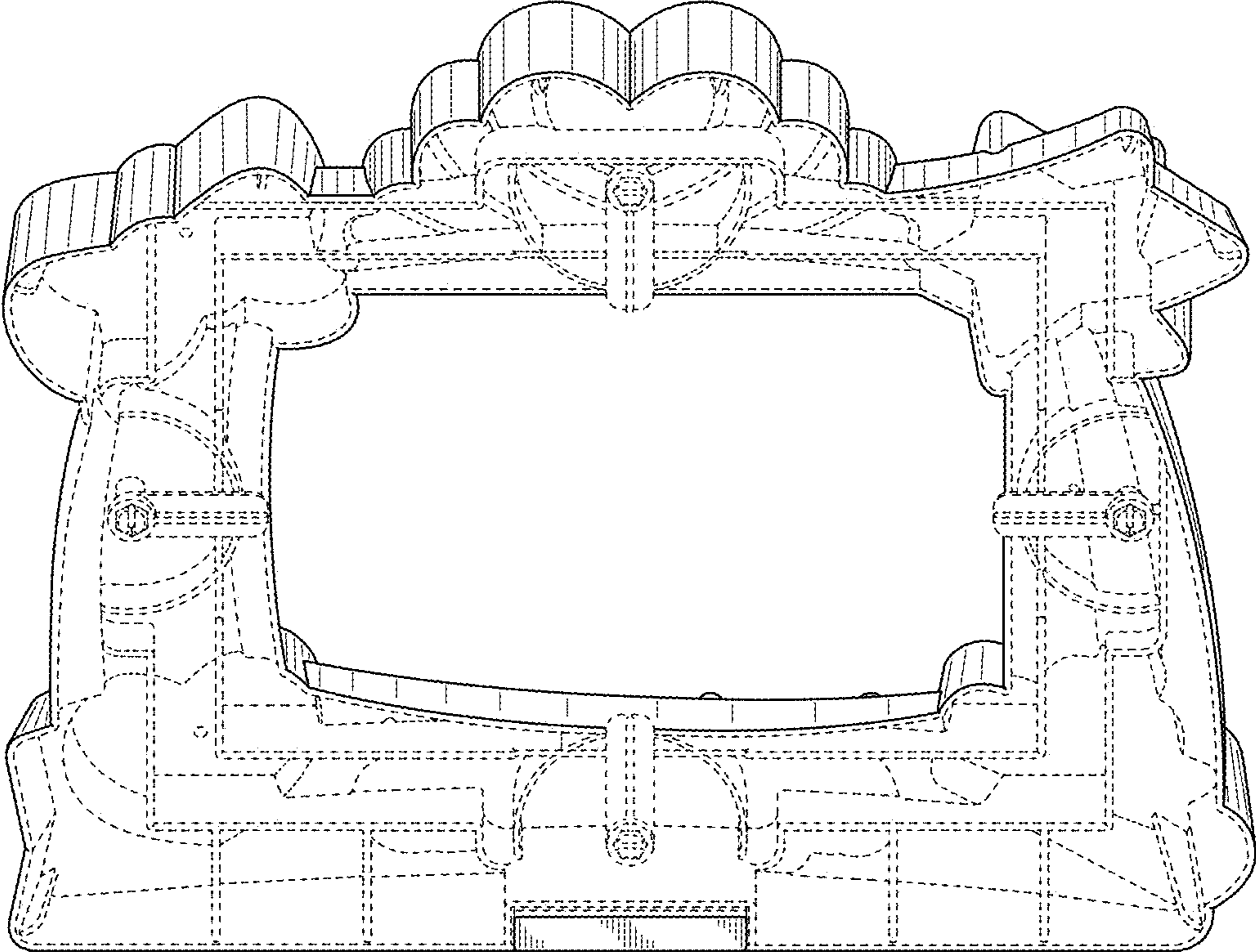


FIG. 4

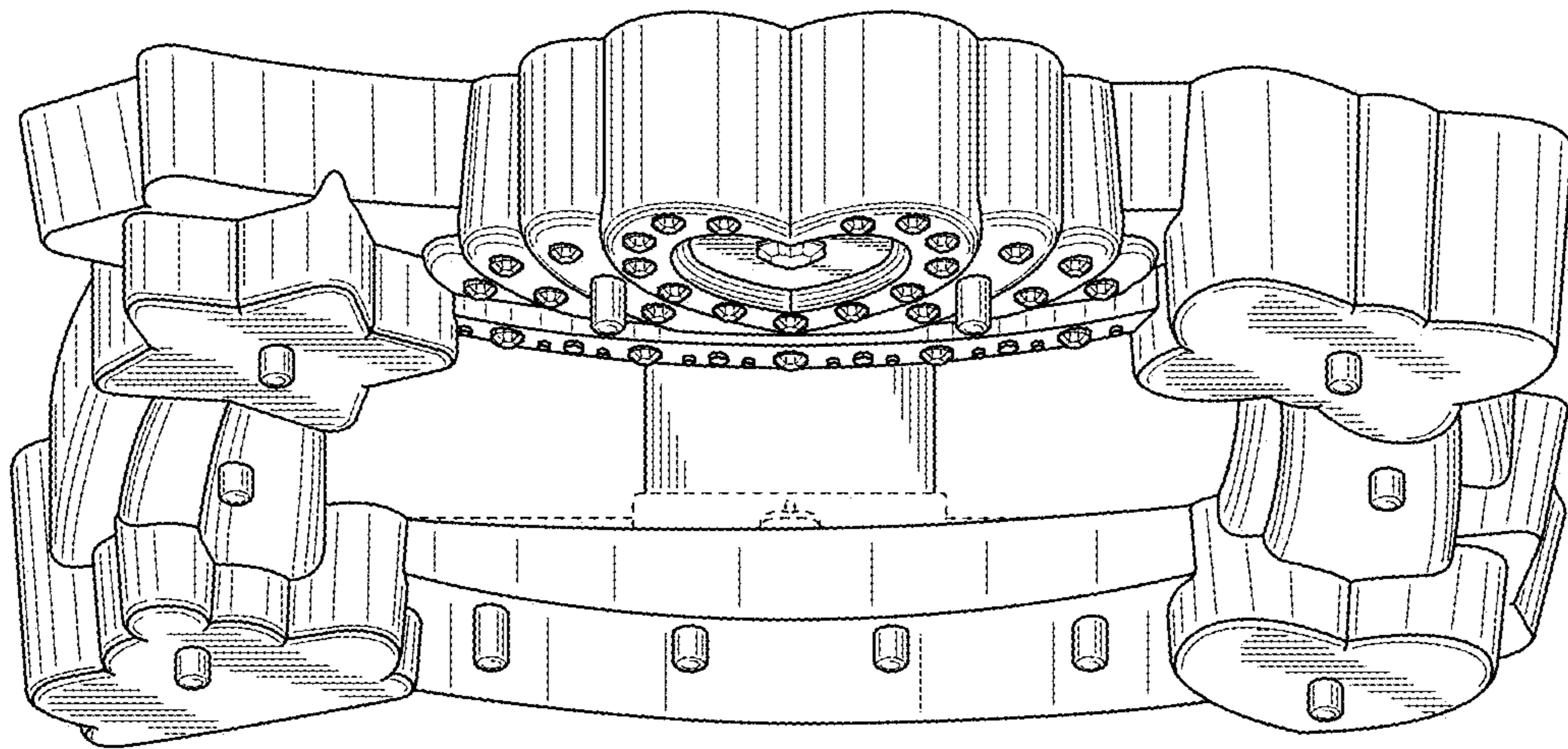


FIG. 5

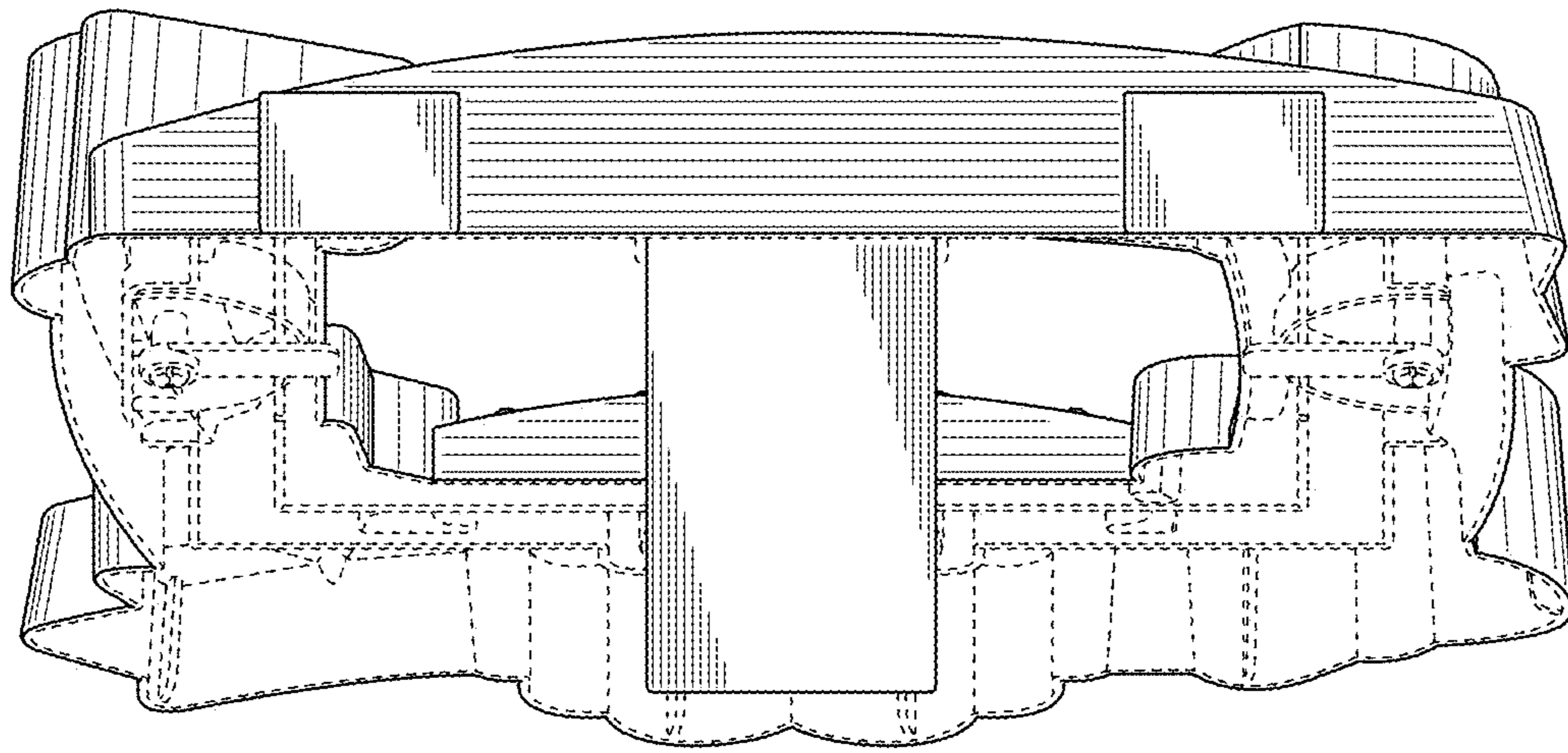


FIG. 6

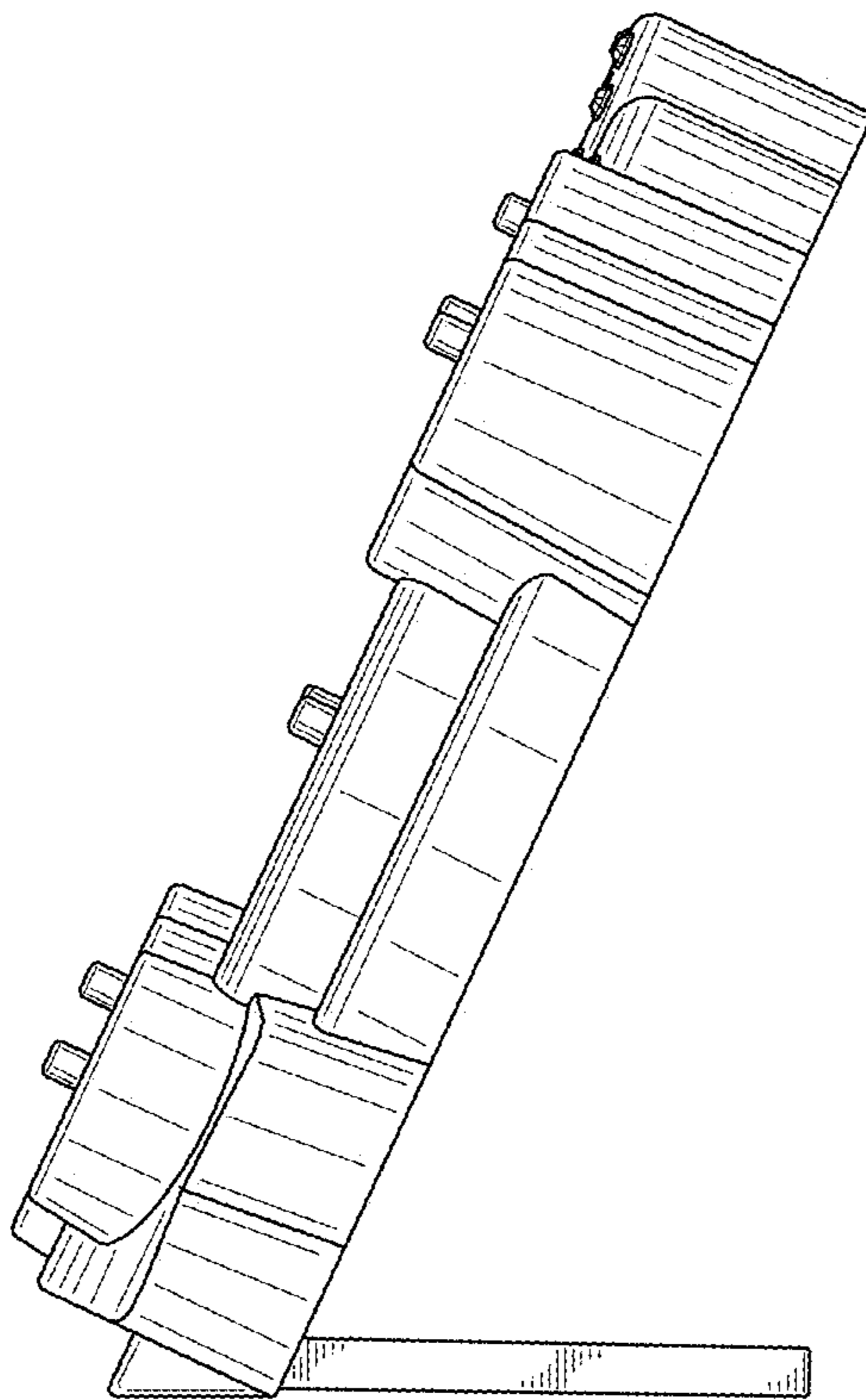


FIG. 7

