



US00D901899S

(12) **United States Design Patent**
Zhanye

(10) **Patent No.:** **US D901,899 S**

(45) **Date of Patent:** **** Nov. 17, 2020**

(54) **HAIR STRAIGHTENING BRUSH**

D823,005 S 7/2018 Kuo
D836,344 S * 12/2018 Keong D4/100
D885,765 S * 6/2020 Yuan D4/100

(71) Applicant: **Dongguan Mandi Electric Appliance Co. Ltd, Dongguan (CN)**

(72) Inventor: **Zong Zhanye, Dongguan (CN)**

(**) Term: **15 Years**

(21) Appl. No.: **29/734,944**

(22) Filed: **May 16, 2020**

(51) **LOC (12) Cl.** **28-03**

(52) **U.S. Cl.**
USPC **D4/102; D28/35**

(58) **Field of Classification Search**
USPC D4/100, 116, 117, 118, 121, 122, 123,
D4/127, 128, 129, 130, 132, 133, 134,
D4/135, 136, 138, 199; D28/7, 13, 24,
D28/25, 26, 15; 15/207.2; 132/120, 210,
132/271, 222

CPC .. A46B 9/06; A46B 9/023; A46B 5/00; A46B
5/02; A46B 15/003; A46B 9/028; A46B
2200/104; A45D 20/48; A45D 20/50
See application file for complete search history.

(56) **References Cited**

U.S. PATENT DOCUMENTS

4,364,142 A * 12/1982 Pangle A46B 5/02
119/623
7,650,893 B2 * 1/2010 De Laforcade A46B 9/021
132/218
D721,505 S 1/2015 Schuler
D795,595 S 8/2017 Exley
D823,004 S 7/2018 Kuo

FOREIGN PATENT DOCUMENTS

CN 304463323 * 1/2018
CN 305461920 * 11/2019
CN 305614068 * 2/2020
EM 007732748-0004 * 3/2020

* cited by examiner

Primary Examiner — Karen E Eldridge Powers

(74) *Attorney, Agent, or Firm* — KA Filing LLC; Cynthia W. Flanigan

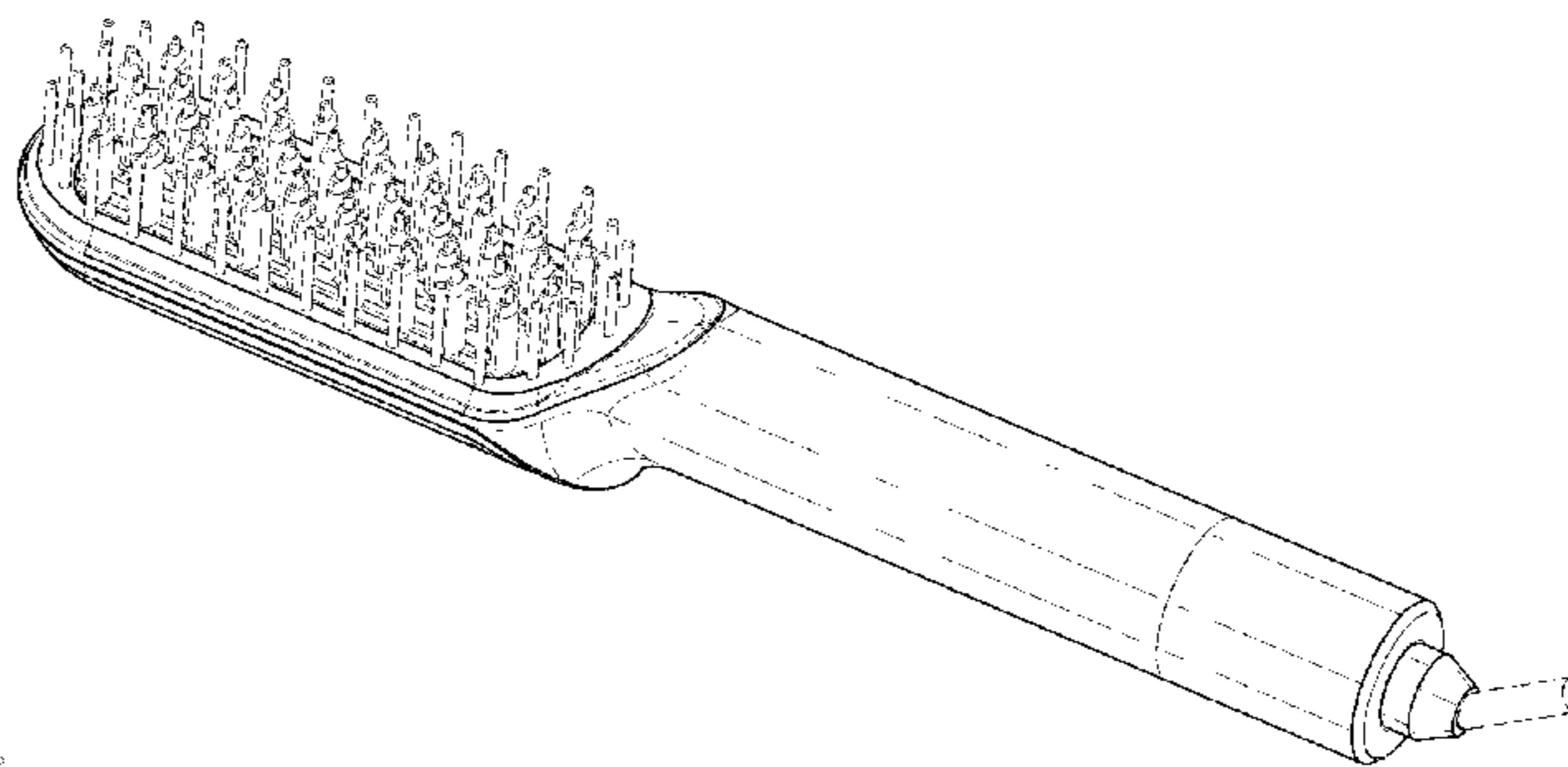
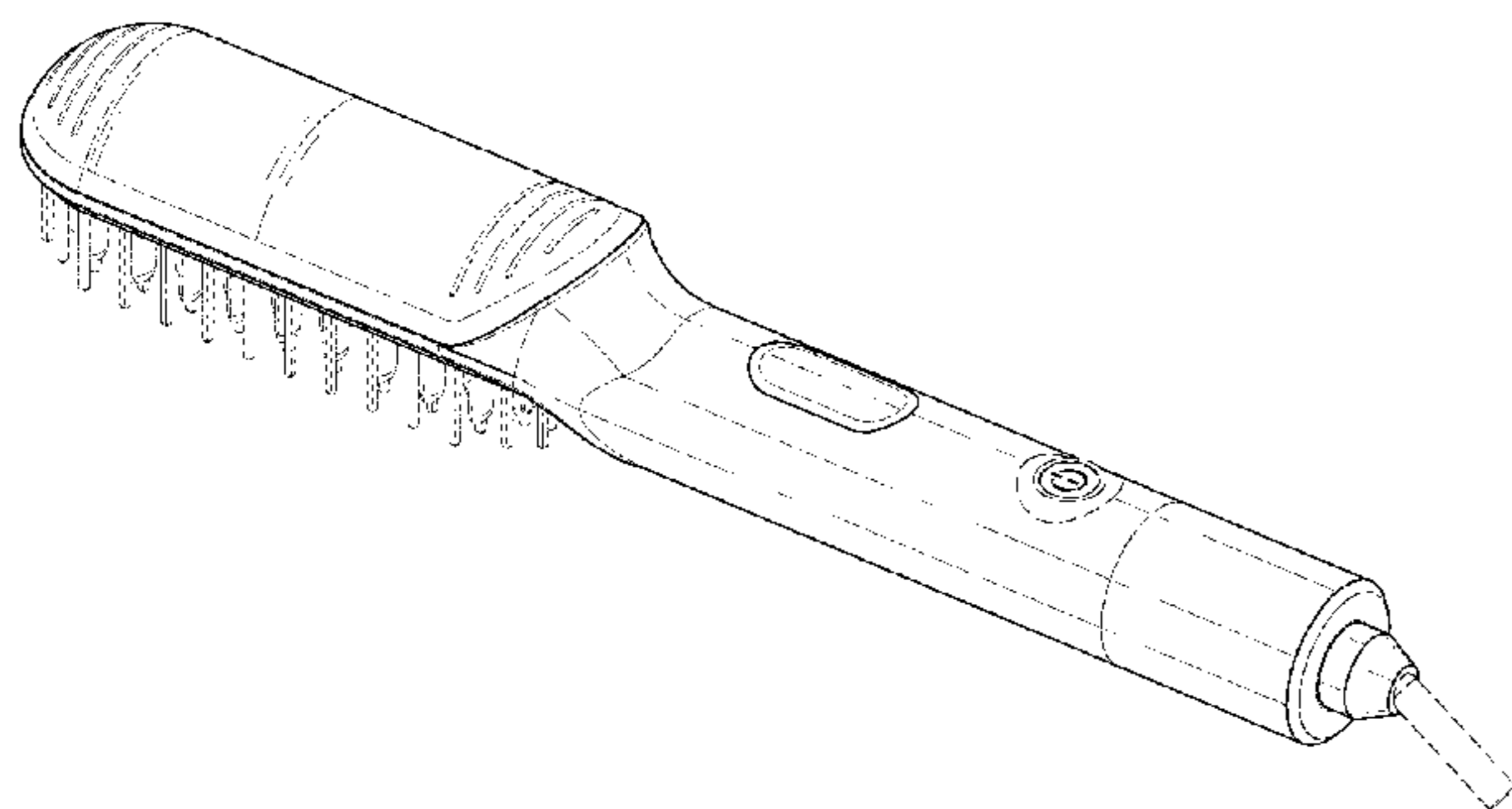
(57) **CLAIM**

I claim the ornamental design for a hair straightening brush, as shown and described.

DESCRIPTION

FIG. 1 is a top perspective view of a hair straightening brush showing my new design;
FIG. 2 is a bottom perspective view thereof;
FIG. 3 is a front elevation view thereof;
FIG. 4 is a rear elevation view thereof;
FIG. 5 is a left-side elevation view thereof;
FIG. 6 is a right-side elevation view thereof;
FIG. 7 is a top plan view thereof; and,
FIG. 8 is a bottom plan view thereof.
The broken lines illustrate environmental structure and form no part of the claimed design.

1 Claim, 7 Drawing Sheets



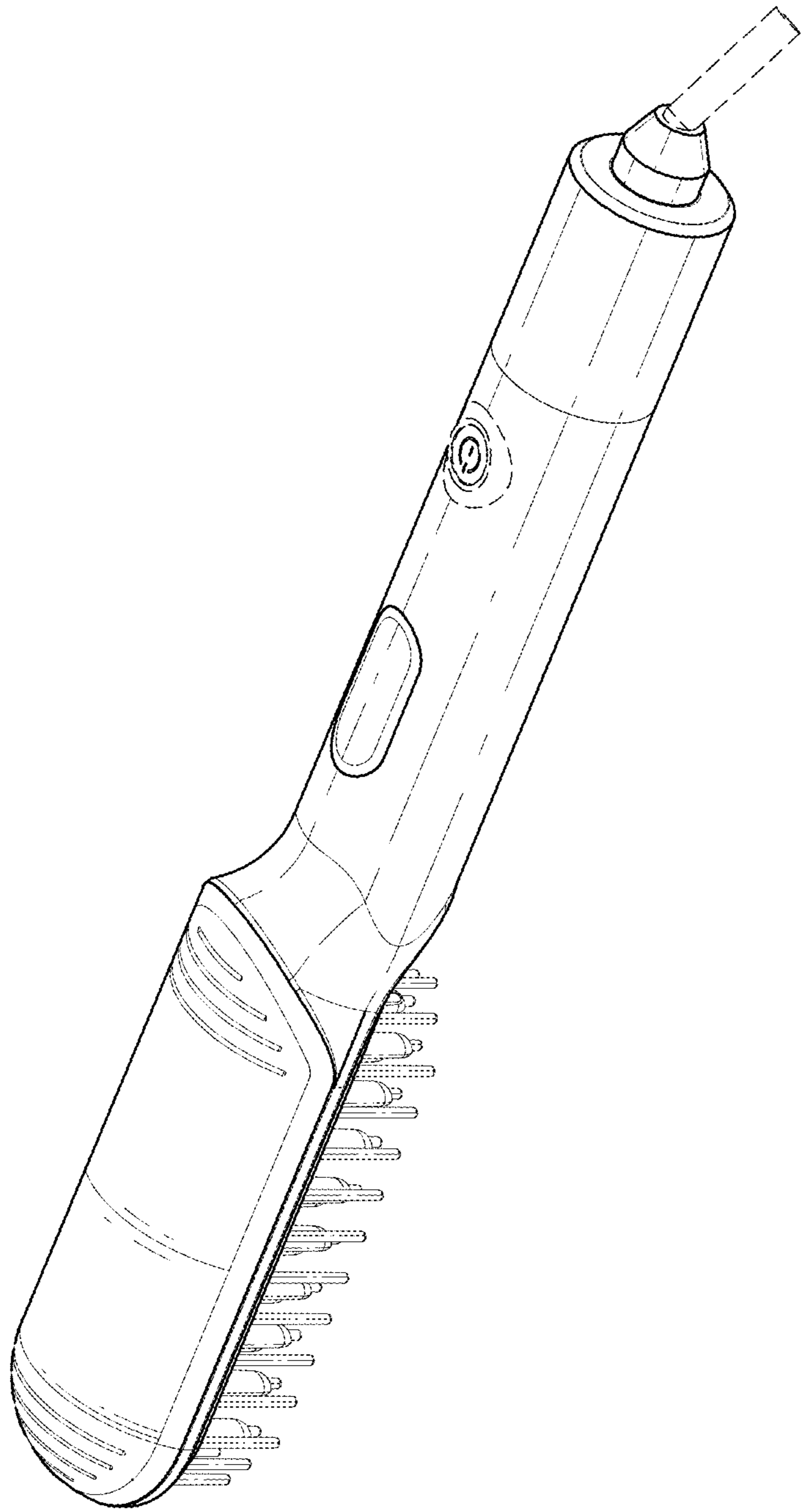


FIG. 1

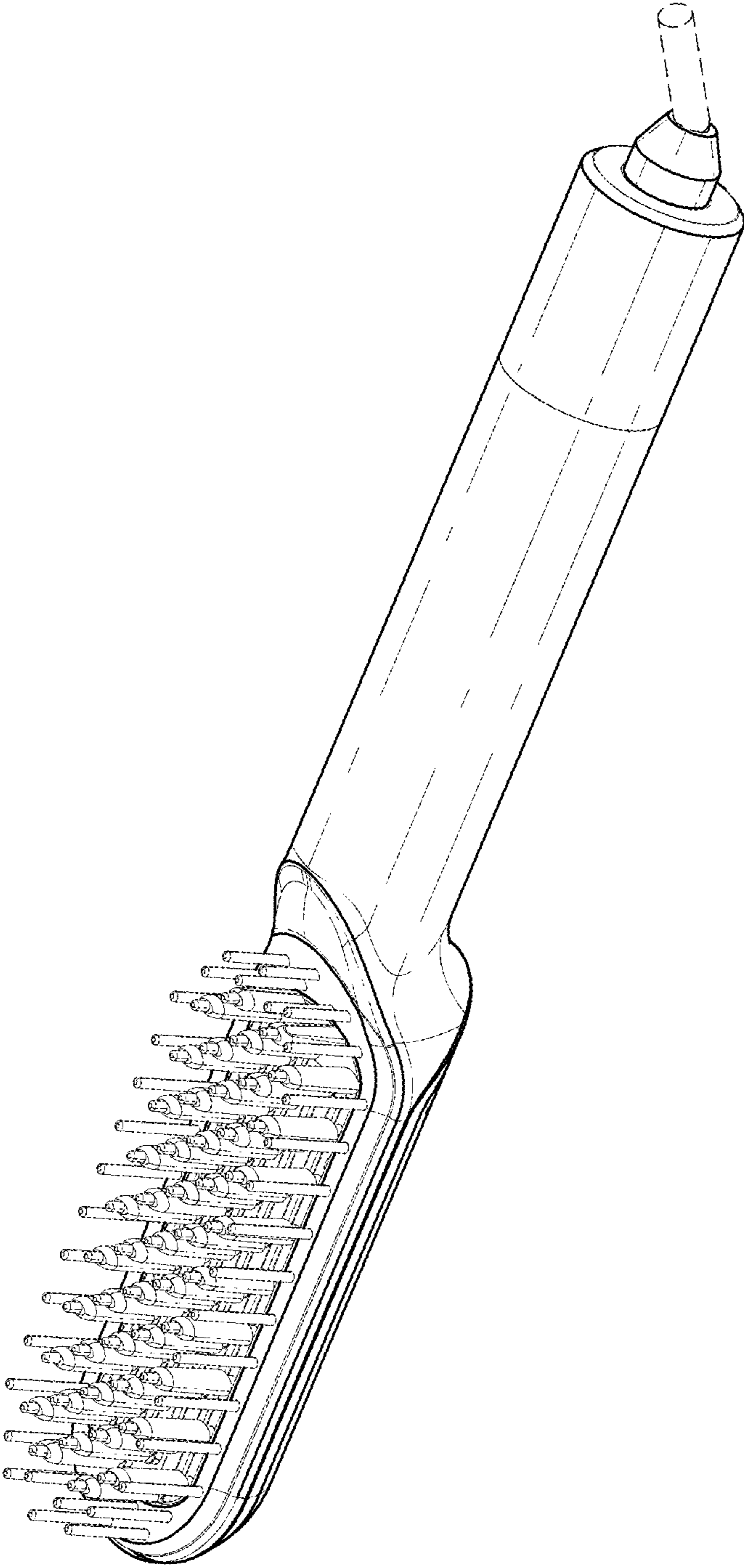


FIG. 2

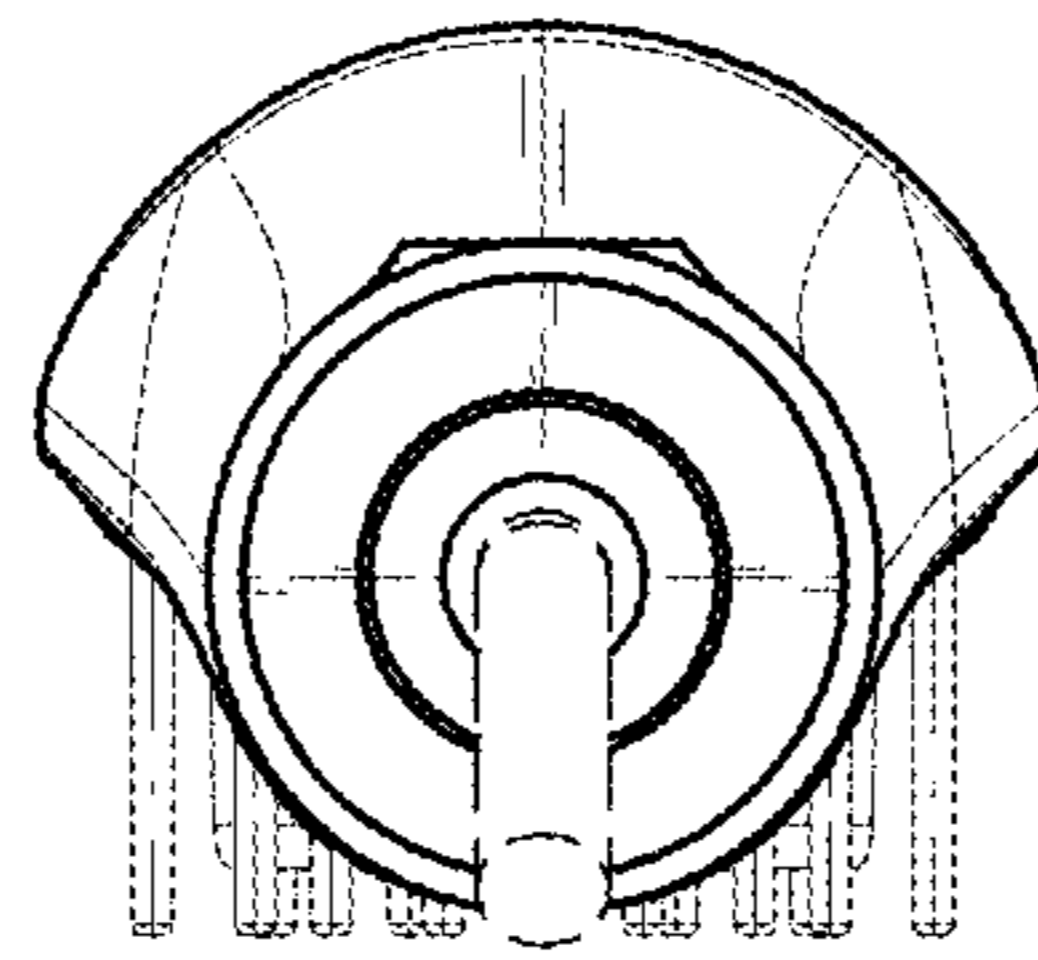


FIG. 3

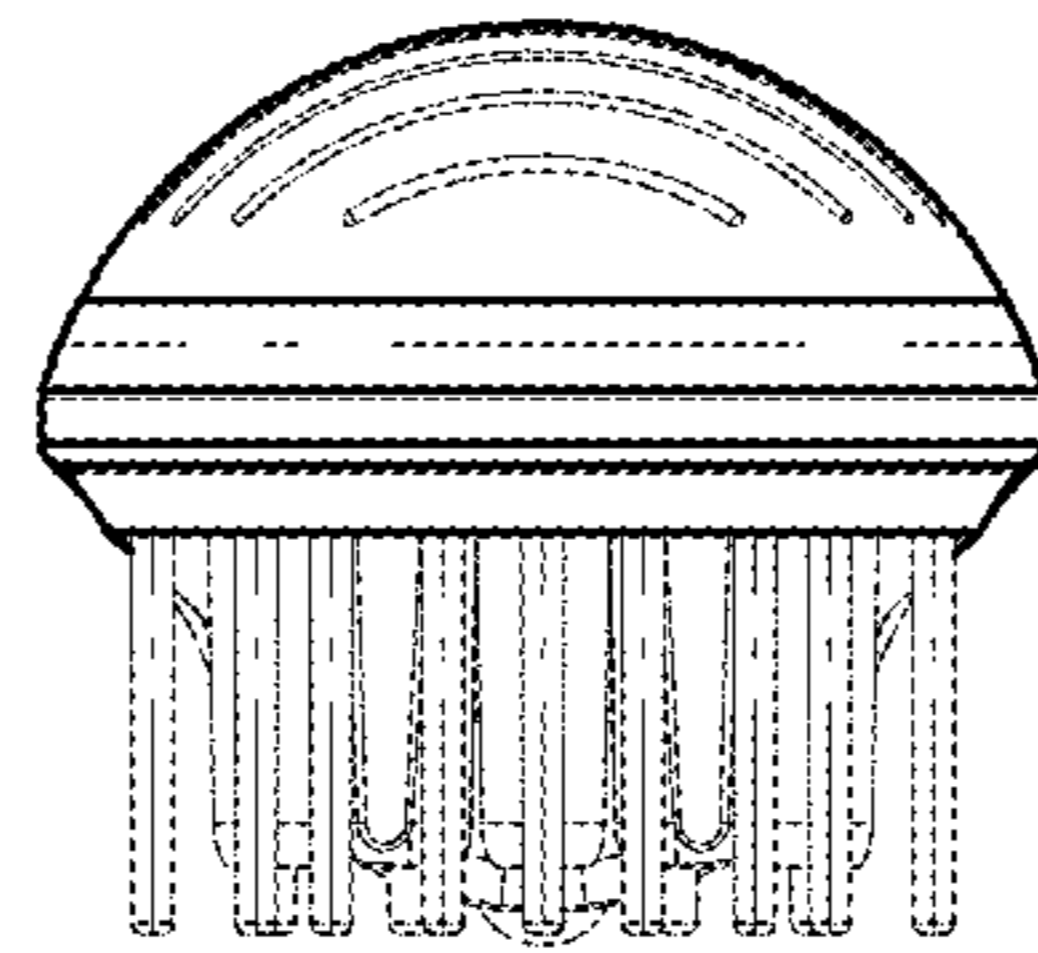


FIG. 4

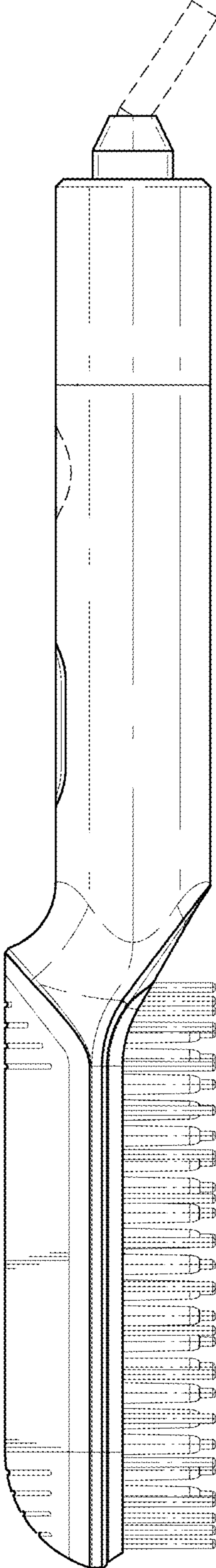


FIG. 5

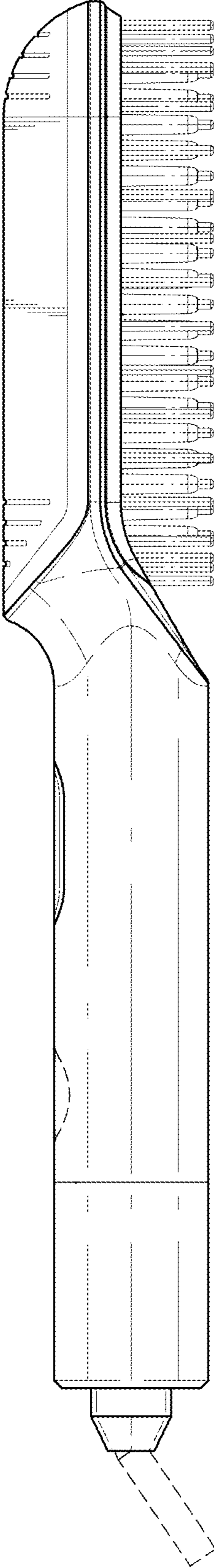


FIG. 6

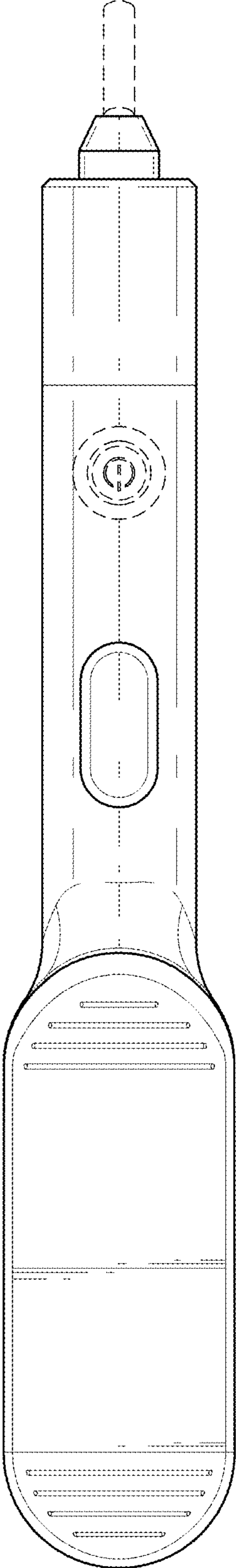


FIG. 7

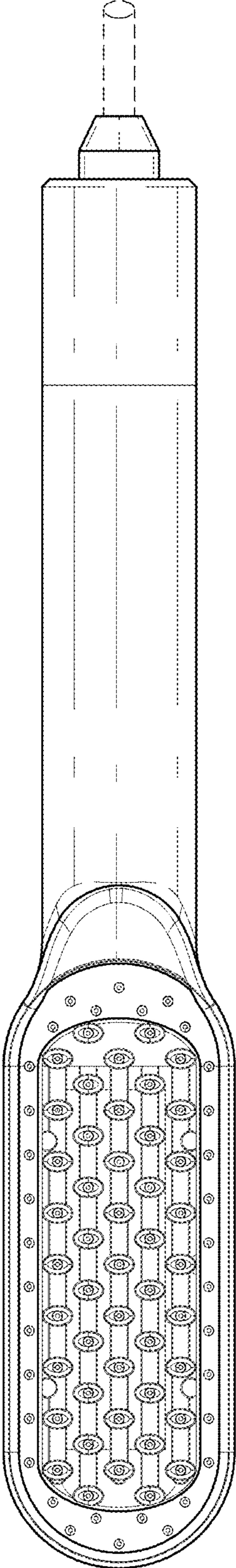


FIG. 8