



US00D901898S

(12) **United States Design Patent** (10) **Patent No.:** **US D901,898 S**
Zhanye (45) **Date of Patent:** **** Nov. 17, 2020**

(54) **HAIR STRAIGHTENING BRUSH**
(71) Applicant: **Dongguan Mandi Electric Appliance Co. Ltd, Dongguan (CN)**
(72) Inventor: **Zong Zhanye, Dongguan (CN)**
(**) Term: **15 Years**
(21) Appl. No.: **29/734,943**

D800,454 S * 10/2017 Mathieu D4/102
D823,004 S 7/2018 Kuo
D823,005 S 7/2018 Kuo
10,098,433 B2 * 10/2018 Habibi A45D 20/48
(Continued)

(22) Filed: **May 16, 2020**
(51) **LOC (12) Cl.** **28-03**
(52) **U.S. Cl.**
USPC **D4/102; D28/15**
(58) **Field of Classification Search**
USPC D4/100, 116, 117, 118, 121, 122, 123,
D4/127, 128, 129, 130, 132, 133, 134,
D4/135, 136, 138, 199; D28/7, 13, 24,
D28/25, 26, 15; 15/207.2; 132/120, 210,
132/271, 222
CPC .. A46B 9/06; A46B 9/023; A46B 5/00; A46B
5/02; A46B 15/003; A46B 9/028; A46B
2200/104; A45D 20/48; A45D 20/50
See application file for complete search history.

FOREIGN PATENT DOCUMENTS

EM 003419027-0001 * 11/2016
EM 007732748-0002 * 3/2020
WO WO-D096485-001 * 6/2017

OTHER PUBLICATIONS

Yinker 4 in 1 One Step Hair Dryer . . . [on-line]. [Original publication date unknown.] [Retrieved from the Internet Jul. 16, 2020.] Retrieved from www.amazon.com. For complete URL, see bottom of p. 7 of copy. (Year: 2020).*
(Continued)

Primary Examiner — Karen E Eldridge Powers
(74) *Attorney, Agent, or Firm* — KA Filing LLC; Cynthia W. Flanigan

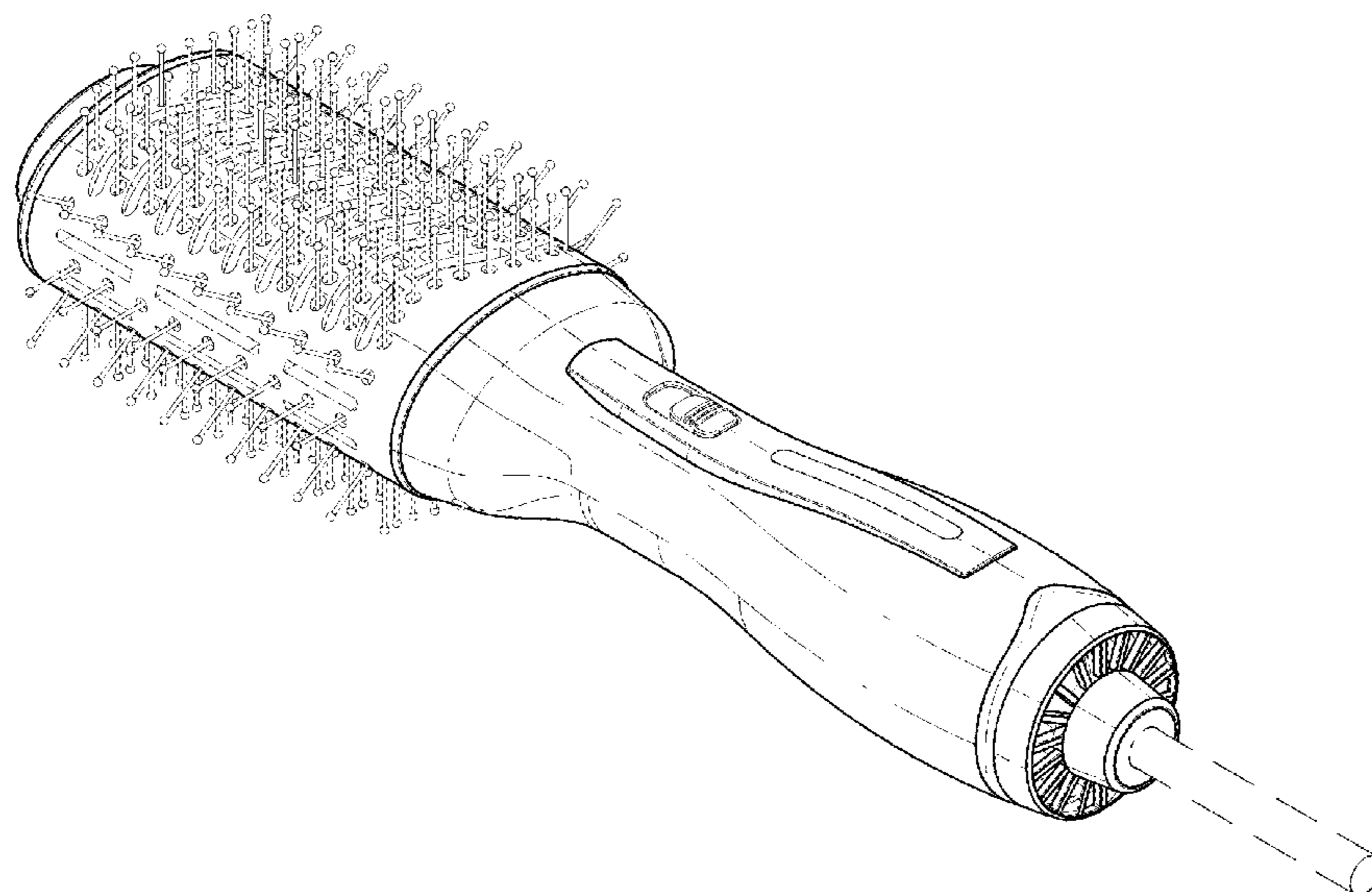
(57) **CLAIM**
I claim the ornamental design for a hair straightening brush, as shown and described.

(56) **References Cited**
U.S. PATENT DOCUMENTS
3,890,984 A * 6/1975 Lesetar A46B 13/02
132/271
D273,141 S * 3/1984 Webb D28/13
4,695,704 A * 9/1987 Andis A45D 1/04
219/222
D469,257 S * 1/2003 Cheung D4/128
D471,718 S * 3/2003 Park D4/133
D472,053 S * 3/2003 Park D4/128
6,817,053 B2 * 11/2004 Nakamura A46D 1/00
15/160
D557,018 S * 12/2007 Park D4/128
D721,505 S 1/2015 Schuler
D738,625 S * 9/2015 Julemont D4/102
D795,595 S 8/2017 Exley

DESCRIPTION

FIG. 1 is a top perspective view of a hair straightening brush showing my new design;
FIG. 2 is a bottom perspective view thereof;
FIG. 3 is a front elevation view thereof;
FIG. 4 is a rear elevation view thereof;
FIG. 5 is a left-side elevation view thereof;
FIG. 6 is a right-side elevation view thereof;
FIG. 7 is a top plan view thereof; and,
FIG. 8 is a bottom plan view thereof.
The broken lines illustrate environmental structure and form no part of the claimed design.

1 Claim, 7 Drawing Sheets



(56)

References Cited

U.S. PATENT DOCUMENTS

D859,739 S * 9/2019 Bourgeois D28/15
D872,358 S * 1/2020 Liao D28/13
D879,374 S * 3/2020 Liao D28/13
D880,061 S * 3/2020 Liao D28/15
D884,360 S * 5/2020 Hou D4/128

OTHER PUBLICATIONS

Mandi Hot Selling 2 in 1 1000w Hot Air Hair Brush Hair Dryer Brush . . . [on-line]. [Original publication date unknown.] [Retrieved from the Internet Jul. 16, 2020.] URL: >https://www.alibaba.com/product-detail/Mandi-hot-selling-2-in-1_62482440739.html?spm=a2700.7724857.normalList.31.55ee37b2jk6EzR (Year: 2020).*

Hair Styling tool Dryer Curler Electric Ions rotating Hot Brush [on-line]. [Original publication date unknown.] [Retrieved from the Internet Jul. 16, 2020.] From: happierplus.com. For complete URL, see bottom of p. 10. (Year: 2020).*

One Step Hair Dryer and Styler Volumizer . . . by Pretty Queen [on-line]. [Published Feb. 2019.] [Retrieved from the Internet Jun. 13, 2020.] For complete URL, see top of p. 10. (Year: 2019).*

Revlon Hair Dryer Brush [shown in review and video screen captures] by Jessica Flores [on-line]. [Published Apr. 16, 2019.] [Retrieved from the Internet Jun. 13, 2020.] (Year: 2019).*

Meraif electric curling brush [on-line]. [Original publication date unknown.] [Retrieved from the Internet Jun. 13, 2020.] URL: ><http://www.wickonsmt.com/sale-11488235-meraif-hot-sale-2-in-1-hair-straightener-curling-iron-brush-rotating-electric-ionic-hair-brush.html>< (Year: 2020).*

* cited by examiner

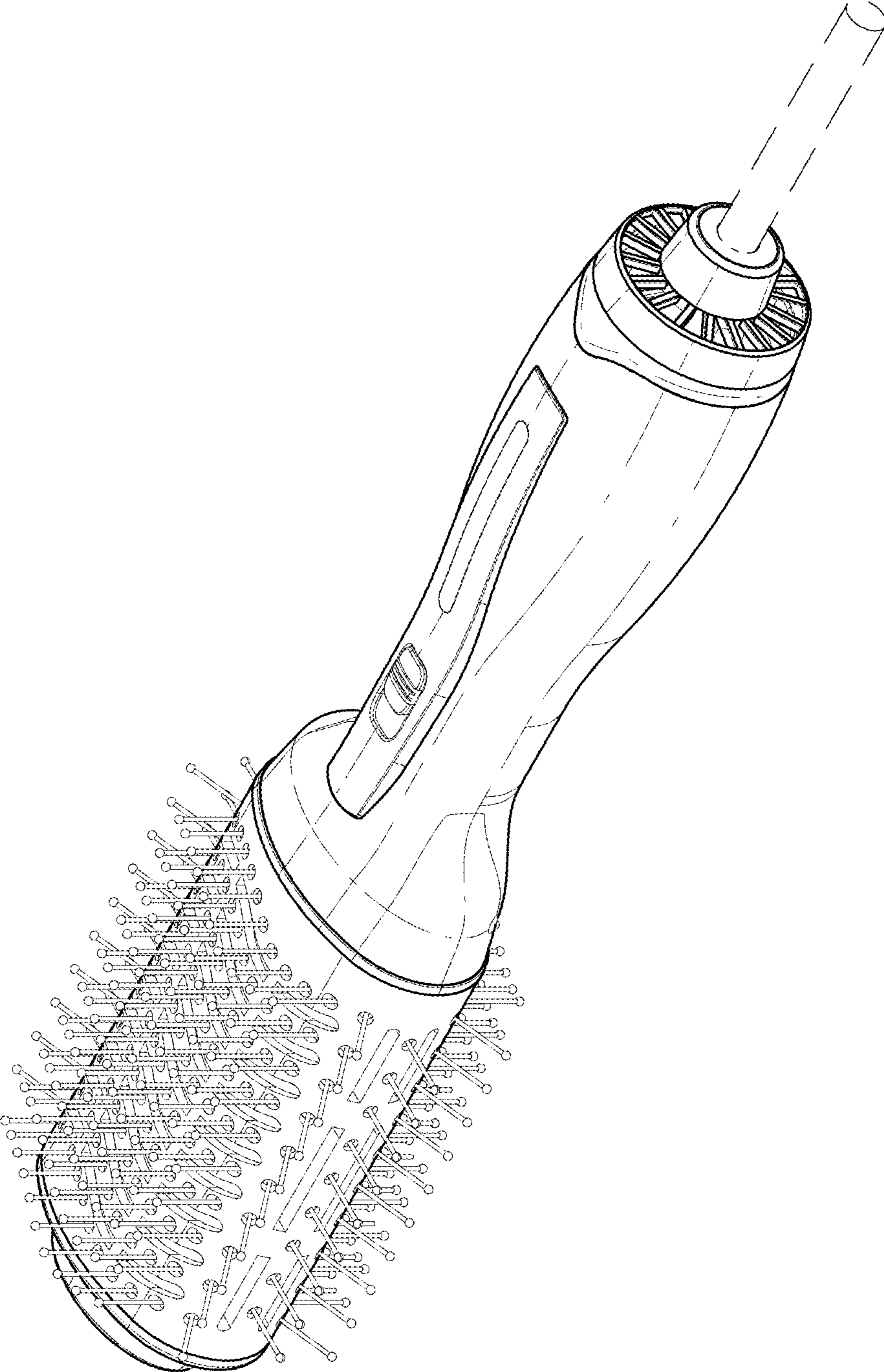


FIG. 1

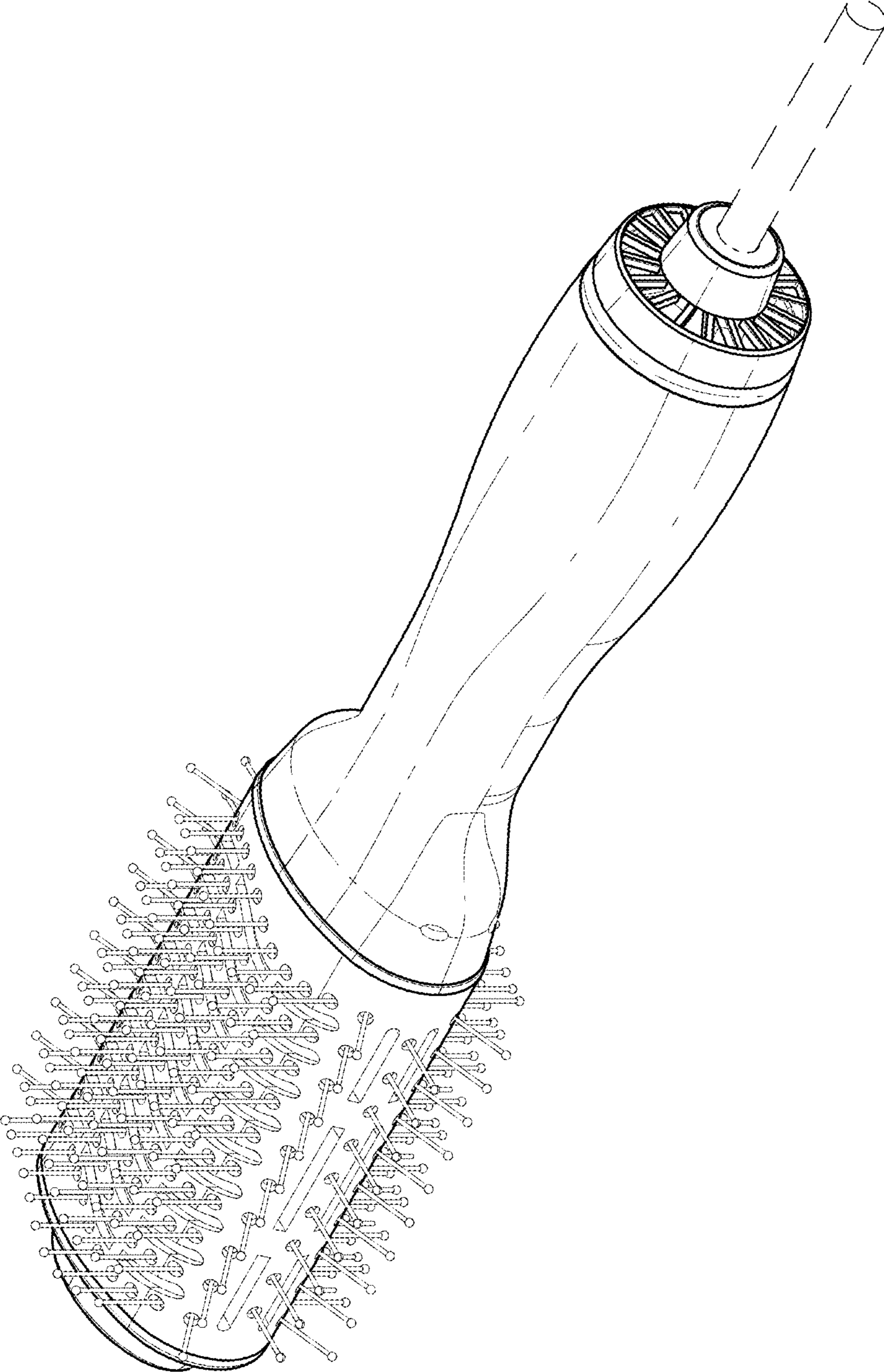


FIG. 2

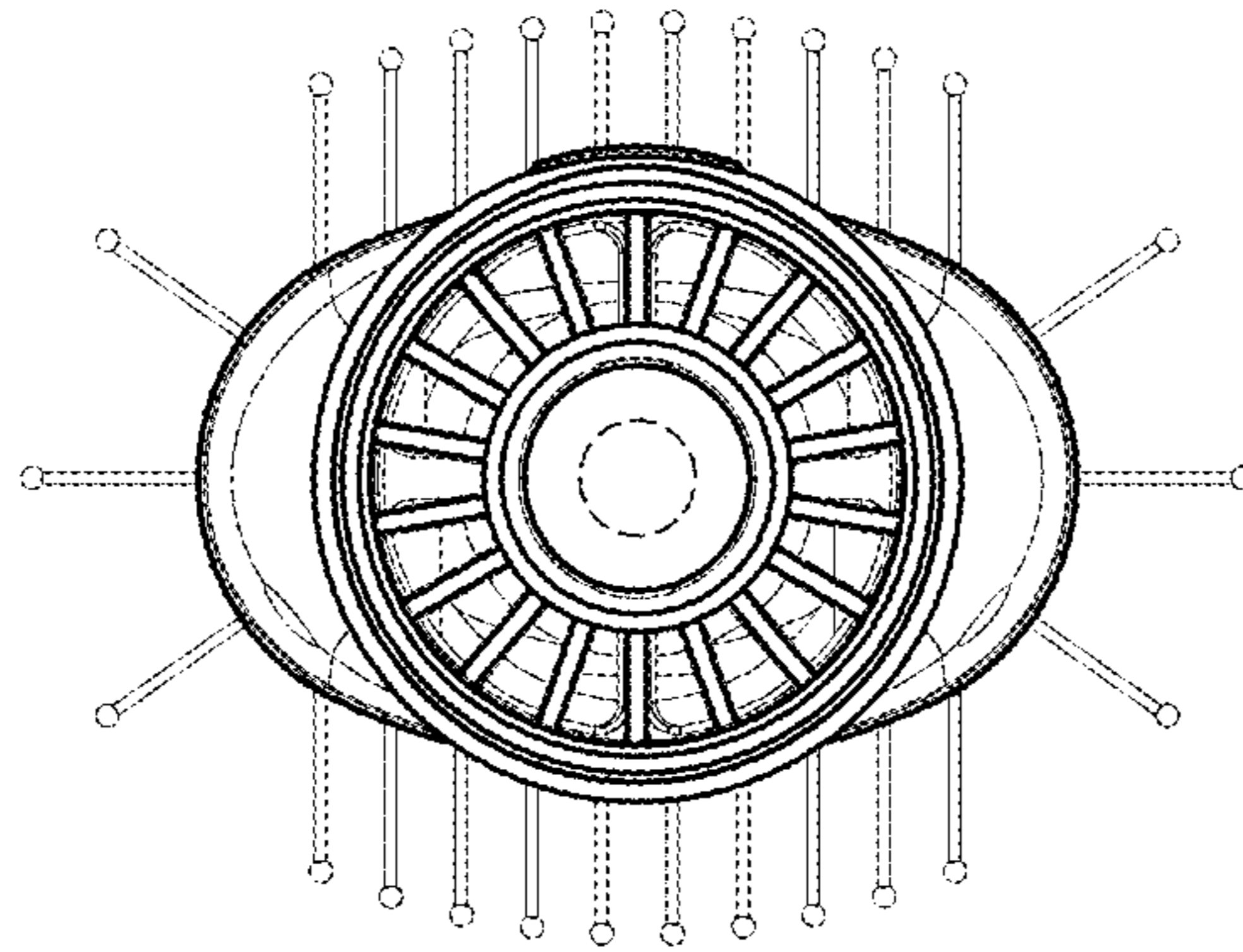


FIG. 3

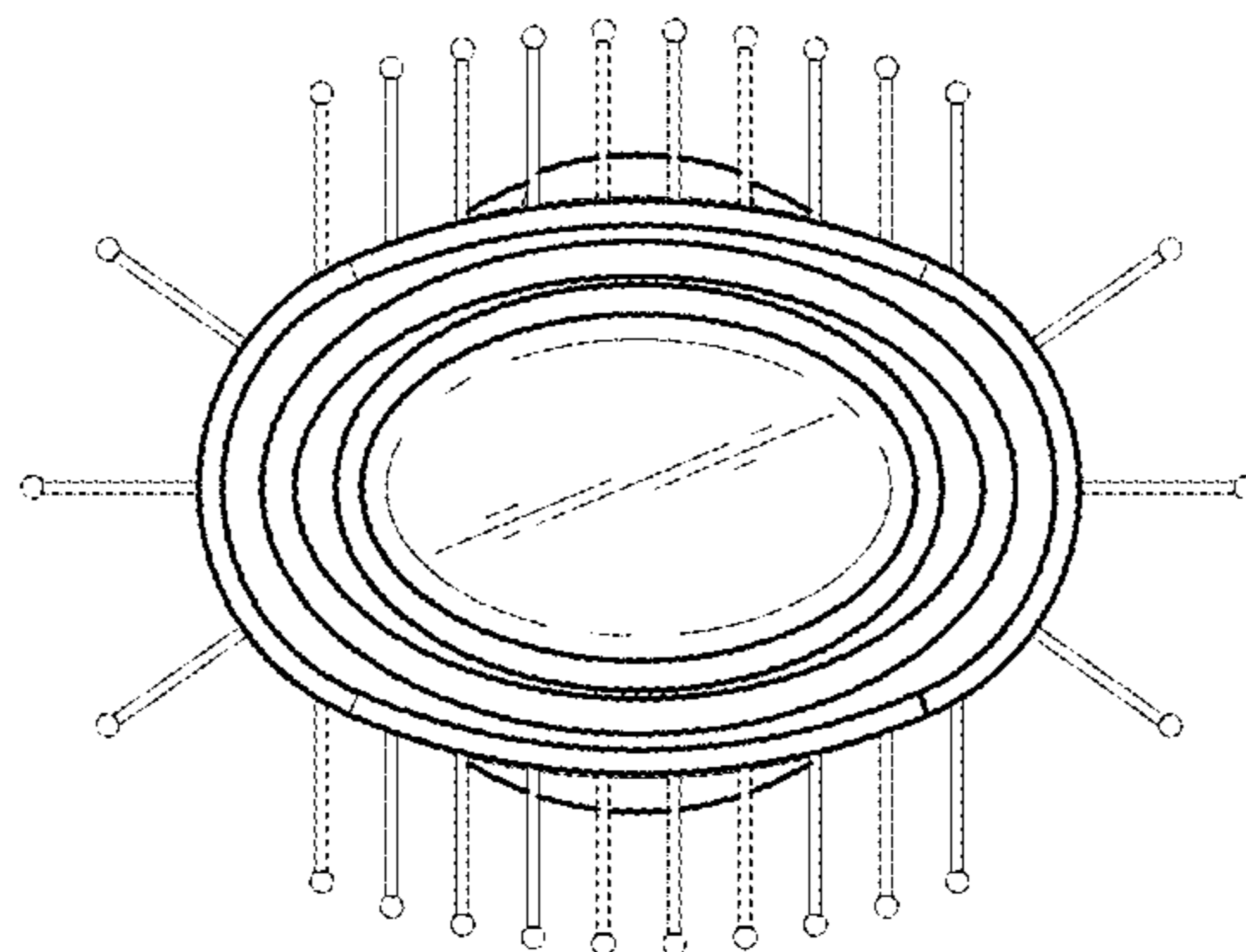


FIG. 4

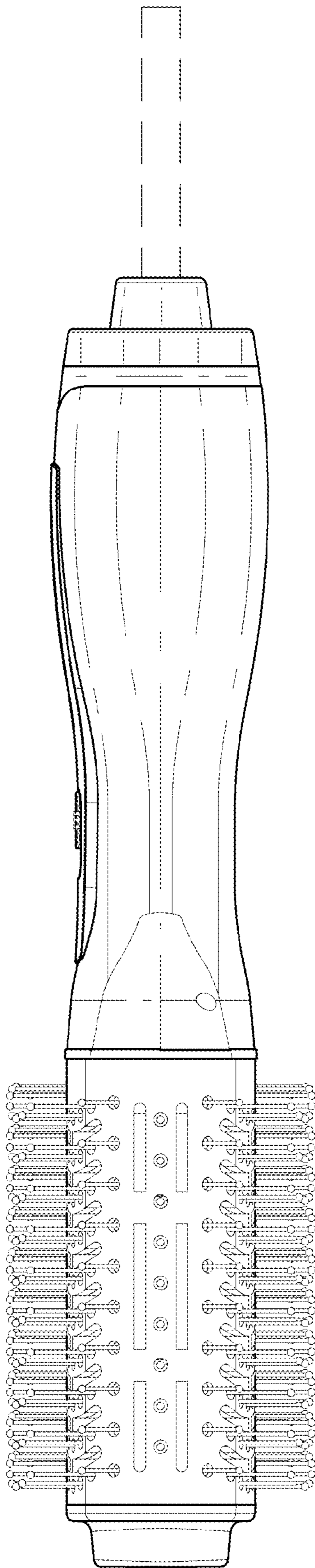


FIG. 5

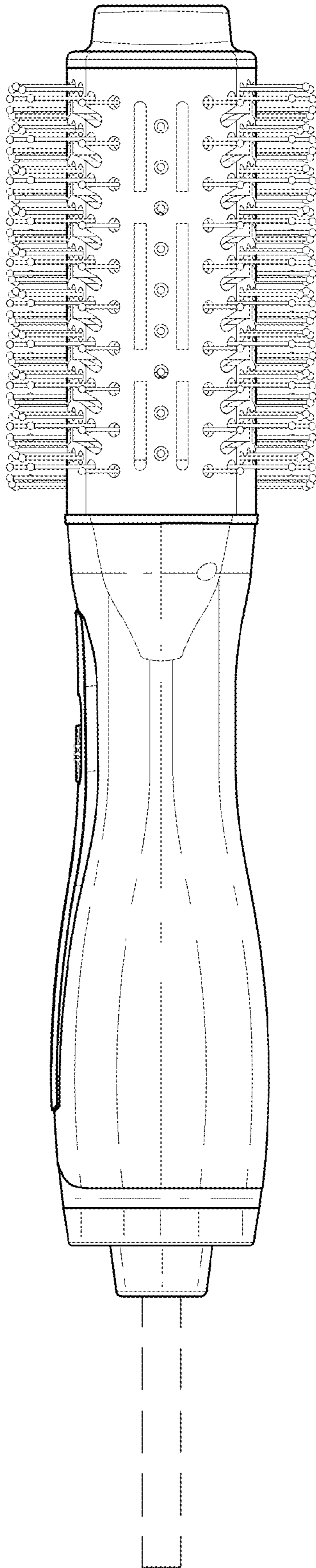


FIG. 6

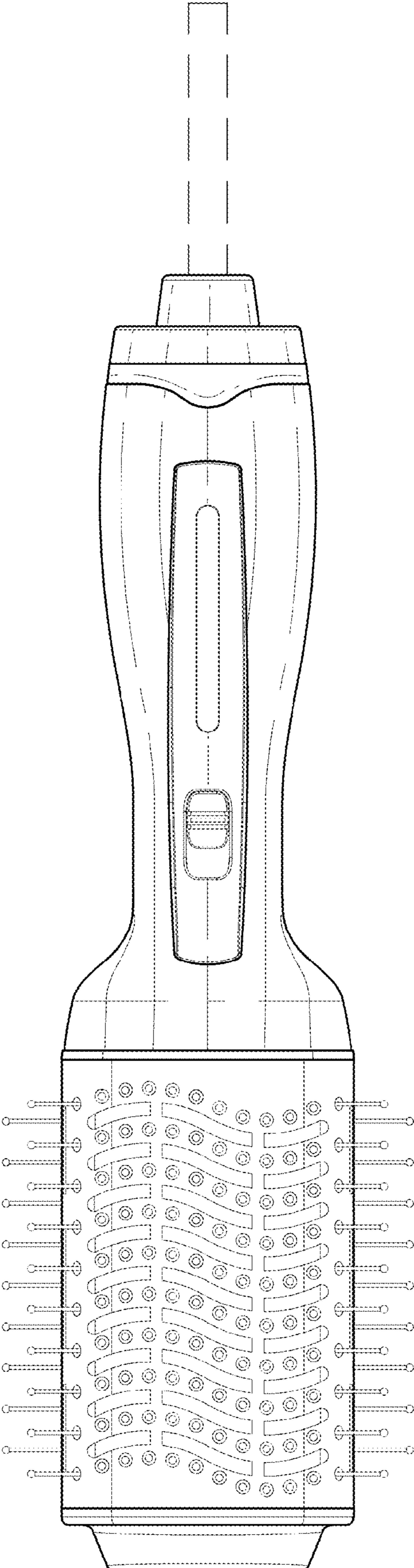


FIG. 7

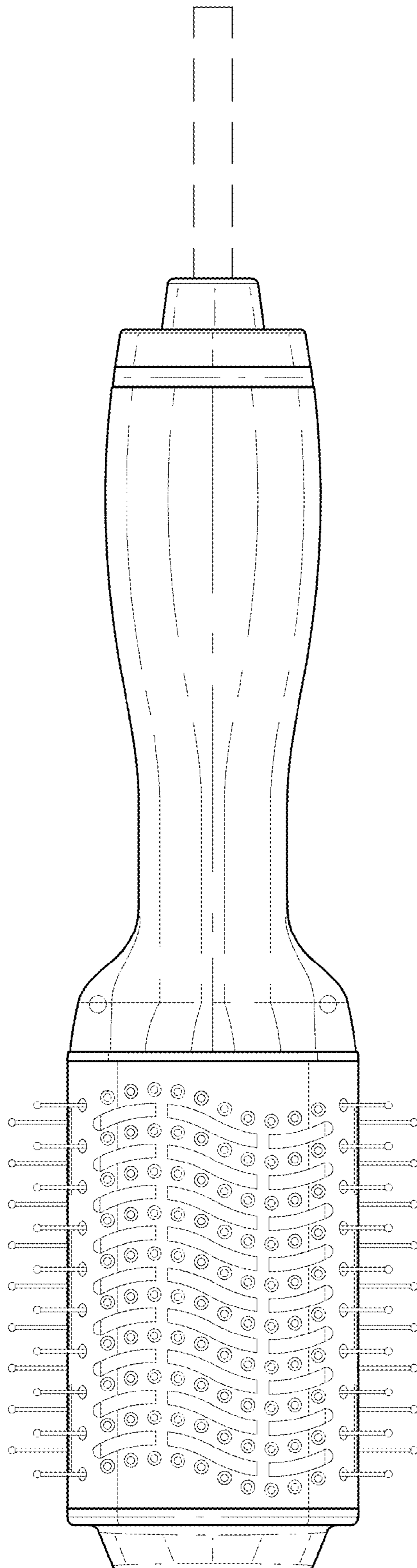


FIG. 8