



US00D901895S

(12) **United States Design Patent** (10) **Patent No.:** **US D901,895 S**  
**Lee** (45) **Date of Patent:** **\*\* Nov. 17, 2020**

(54) **HANDLE FOR TRAVEL BAG**  
(71) Applicant: **RAWROW Co., Ltd.**, Seoul (KR)  
(72) Inventor: **We Hyun Lee**, Seoul (KR)  
(73) Assignee: **RAWROW, CO., LTD.**, Seoul (KR)  
(\*\*) Term: **15 Years**

D504,773 S \* 5/2005 Lu ..... D3/318  
D564,336 S \* 3/2008 McConnell ..... D8/316  
D564,854 S \* 3/2008 Thompson ..... D8/300  
D583,564 S \* 12/2008 Wu ..... D3/318  
D680,413 S \* 4/2013 Ramsland ..... D8/316  
D796,294 S \* 9/2017 Simon ..... D8/315  
9,936,778 B2 \* 4/2018 Holland ..... A45C 5/03

(21) Appl. No.: **35/506,764**  
(22) Filed: **Nov. 16, 2018**

**FOREIGN PATENT DOCUMENTS**

CA 113306 \* 7/2004  
JP D2005-26609 \* 9/2005

(80) **Hague Agreement Data**  
Int. Filing Date: **Nov. 16, 2018**  
Int. Reg. No.: **DM/200888**  
Int. Reg. Date: **Nov. 16, 2018**  
Int. Reg. Pub. Date: **May 17, 2019**

**OTHER PUBLICATIONS**

Brain Sharper, This New Suitcase Allows You to Ride Through the Airport, posted Sep. 17, 2018, [online], [visited Feb. 26, 2020]. Internet, <URL: <https://brain-sharper.com/gadgets/suitcase-ride-airport/>> (Year: 2018).\*

(Continued)

(30) **Foreign Application Priority Data**  
May 23, 2018 (KR) ..... 30-2018-0023942

*Primary Examiner* — Jeffrey D Asch  
*Assistant Examiner* — Samantha N Wood  
(74) *Attorney, Agent, or Firm* — Cantor Colburn LLP

(51) **LOC (12) Cl.** ..... **03-01**  
(52) **U.S. Cl.**  
USPC ..... **D3/318**

(57) **CLAIM**

The ornamental design for a handle for travel bag, as shown and described.

(58) **Field of Classification Search**  
USPC ..... D3/327, 318, 214, 215, 216, 217, 231,  
D3/254, 255, 315, 328, 328.1, 272;  
D8/300, 303, 315, 316, 319, 320  
CPC ..... A45C 13/22; A45C 13/26; A45C 13/262;  
A45C 13/24; A45C 2013/223; A45C  
2013/226; A45C 2013/265; A45C  
2013/267

**DESCRIPTION**

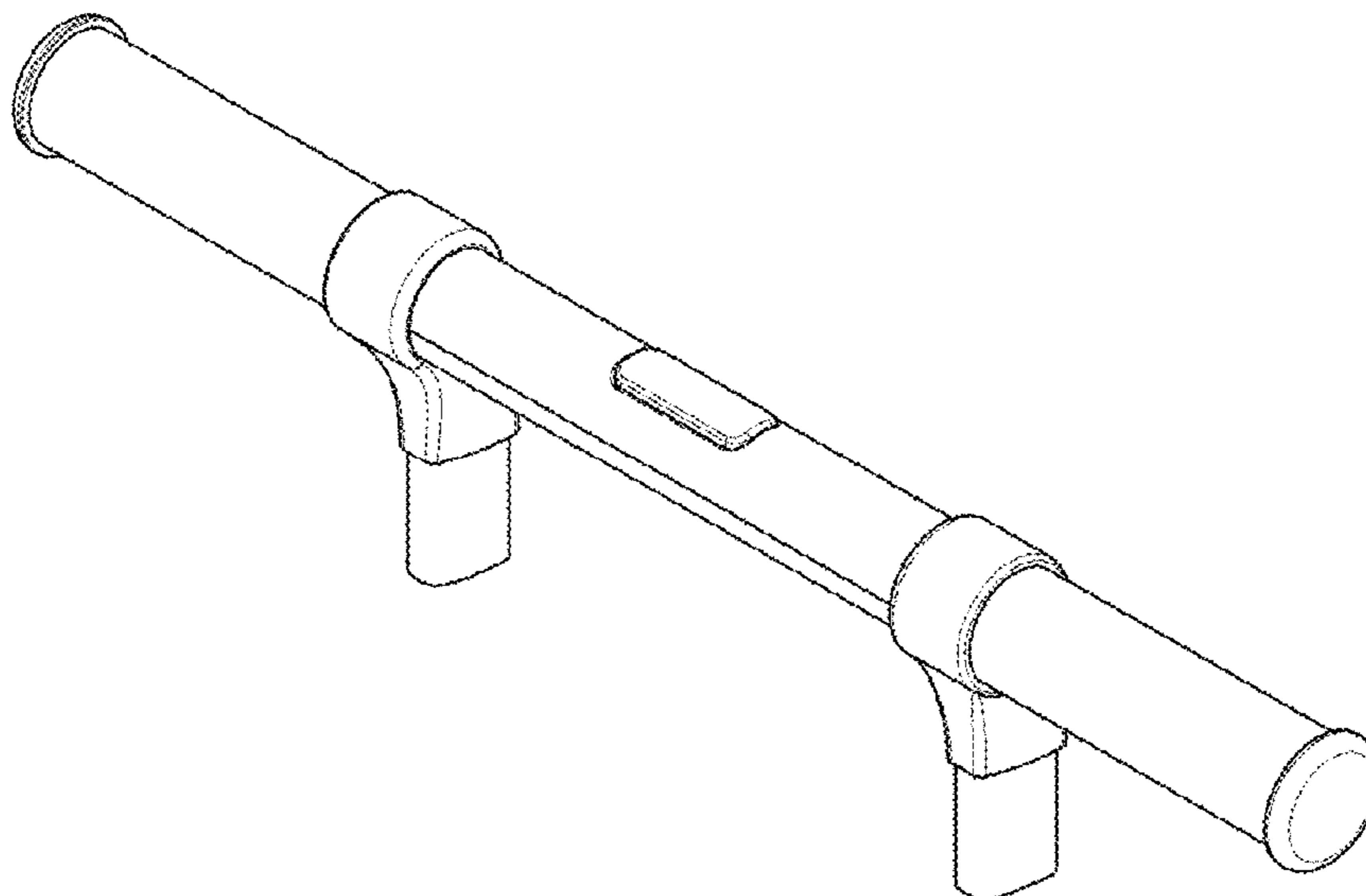
1. Handle for travel bag  
**1.1** : Perspective view of a handle for travel bag;  
**1.2** : Front view thereof;  
**1.3** : Rear view thereof;  
**1.4** : Top view thereof;  
**1.5** : Bottom view thereof;  
**1.6** : Right side view thereof; and  
**1.7** : Left side view thereof.  
The portions of the handle for travel bag shown in broken lines form no part of the claimed design.

See application file for complete search history.

(56) **References Cited**  
**U.S. PATENT DOCUMENTS**

D424,400 S \* 5/2000 Lin ..... D8/302  
D471,075 S \* 3/2003 Fields ..... D8/316

**1 Claim, 7 Drawing Sheets**



(56)

**References Cited**

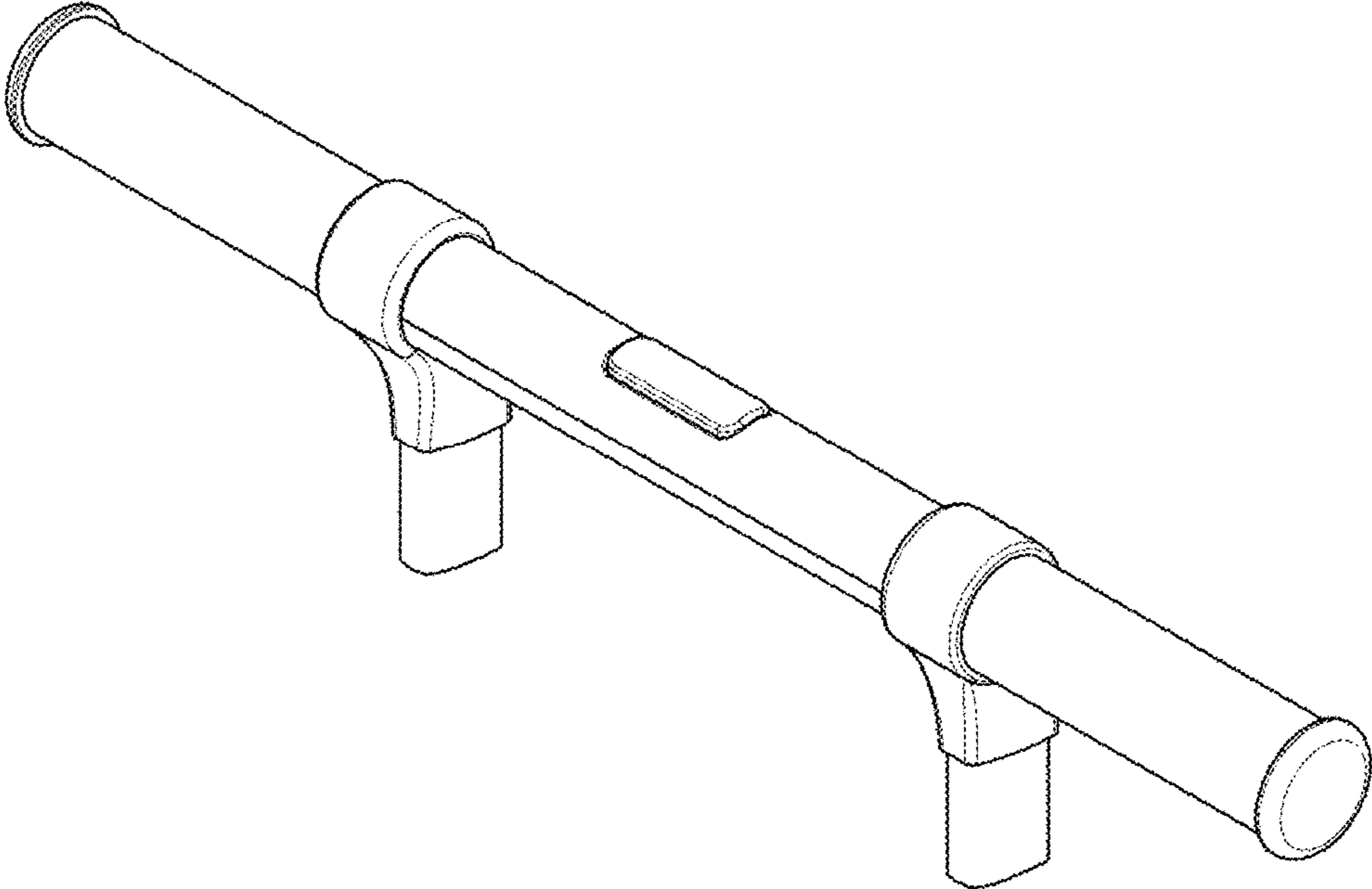
OTHER PUBLICATIONS

Amazon, Antler Tundra Trolley Backpack, posted Sep. 21, 2015, [online], [visited Feb. 26, 2020]. Internet, <URL: [https://www.amazon.co.uk/Antler-Tundra-Trolley-Backpack-Suitcase/dp/B015N9RLUE/ref=sr\\_1\\_145?keywords=SUITCASE+HANDLE&qid=1582758089&sr=8-145](https://www.amazon.co.uk/Antler-Tundra-Trolley-Backpack-Suitcase/dp/B015N9RLUE/ref=sr_1_145?keywords=SUITCASE+HANDLE&qid=1582758089&sr=8-145)> (Year: 2015).\*

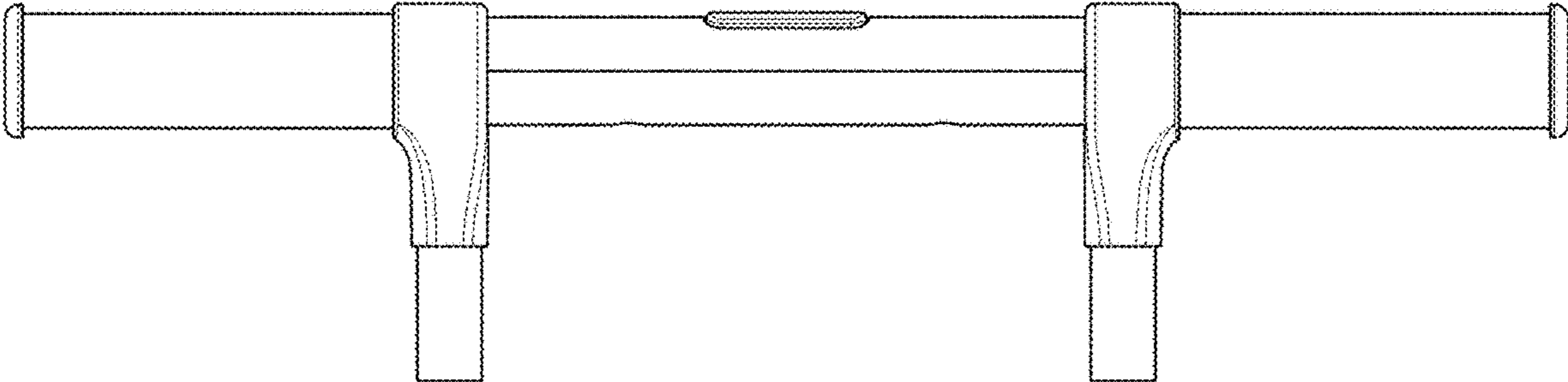
Amazon, The North Face Overhead Travel bag, posted Mar. 3, 2015, [online], [visited Feb. 26, 2020]. Internet, <URL: [https://www.amazon.co.uk/NORTH-FACE-Overhead-19-Inch-Roller/dp/B07LCJDB7G/ref=sr\\_1\\_163?dchild=1&keywords=SUITCASE+HANDLE&qid=1582758394&sr=8-163](https://www.amazon.co.uk/NORTH-FACE-Overhead-19-Inch-Roller/dp/B07LCJDB7G/ref=sr_1_163?dchild=1&keywords=SUITCASE+HANDLE&qid=1582758394&sr=8-163)> (Year: 2015).\*

\* cited by examiner

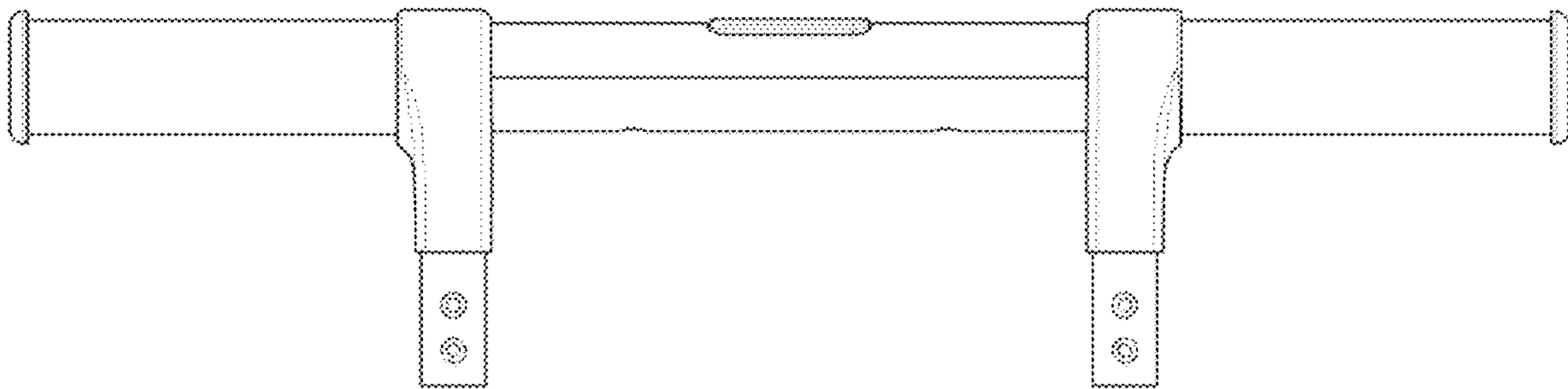
1.1



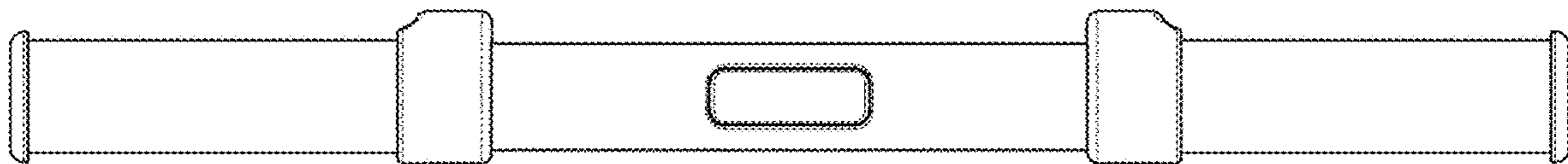
1.2



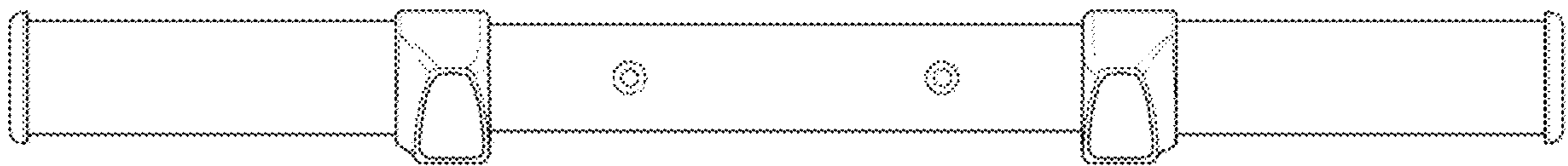
1.3



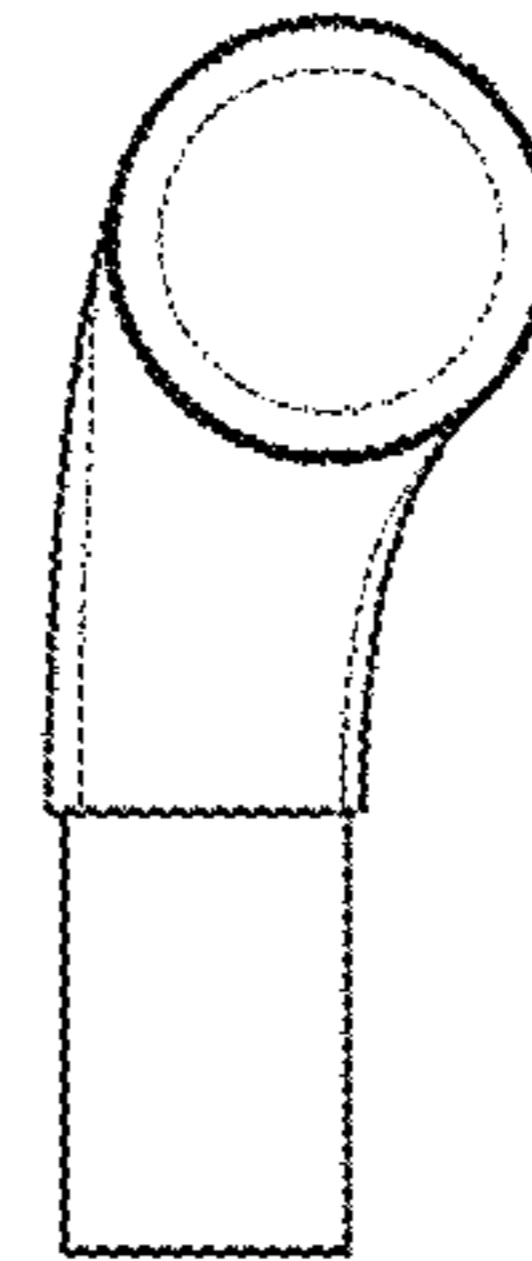
1.4



1.5



1.6





1.7

