



US00D901892S

(12) **United States Design Patent** (10) **Patent No.:** **US D901,892 S**
Forbes (45) **Date of Patent:** **** Nov. 17, 2020**

(54) **POUCH** 7,410,083 B2 * 8/2008 Reid A45C 11/18
224/661
(71) Applicant: **Veronica Forbes**, Cramerton, NC (US) 7,562,636 B2 7/2009 Regala
D616,644 S * 6/2010 Ramon D3/224
(72) Inventor: **Veronica Forbes**, Cramerton, NC (US) D630,016 S * 1/2011 Rutjes D3/303
D666,416 S * 9/2012 Haywood D3/303
(**) Term: **15 Years** 8,820,596 B1 * 9/2014 Bergquist A45C 3/004
224/153
(21) Appl. No.: **29/681,611** D785,332 S * 5/2017 Gordon D3/300
D885,752 S * 6/2020 Dumas D3/217
2011/0233915 A1 9/2011 Palmer

(22) Filed: **Feb. 27, 2019**
(51) **LOC (12) Cl.** **03-01**
(52) **U.S. Cl.**
USPC **D3/303**; D3/215
(58) **Field of Classification Search**
USPC D3/247, 249–253, 300, 303, 215–217,
D3/207–208; D2/857, 864; D27/172,
D27/185
CPC A45F 5/022; A45F 3/04; A45F 2005/008;
A45F 2200/0516; A41D 27/20; A41D
27/204; A24F 15/00
See application file for complete search history.

(56) **References Cited**
U.S. PATENT DOCUMENTS
4,162,800 A 7/1979 Gonot, Jr.
D351,279 S * 10/1994 Montgomery D2/639
D354,619 S * 1/1995 Soukeras D3/217
D354,849 S * 1/1995 Herman D3/216
D362,540 S * 9/1995 McNamara D3/215
5,446,953 A 9/1995 LeFeber
D420,793 S * 2/2000 Vreeland D3/216
6,112,959 A * 9/2000 Townsend A45F 3/04
224/153
D449,648 S 10/2001 Andler
D450,448 S * 11/2001 Pierce D3/216
6,481,367 B2 11/2002 McClosky
D472,371 S * 4/2003 Pomare D3/216
6,641,172 B1 11/2003 Olson

OTHER PUBLICATIONS

MoKo Compatible with Cell Phone Bag, posted at amazon.com, available Aug. 5, 2017, retrieved Jul. 29, 2020, online, URL: <https://www.amazon.com/MoKo-Universal-Multi-Pocket-Crossbody-Shoulder/dp/B07586RHNB> (Year: 2017).*
Handbag—Metro Cell Phone Crossbody Black, posted at accboutique.com. no posting date, retrieved Jul. 29, 2020. online, URL: <https://www.accboutique.com/products/handbag-crossbody-black> (Year: 2020).*

* cited by examiner

Primary Examiner — Lilyana Bekic
Assistant Examiner — Mary Shannon Malley

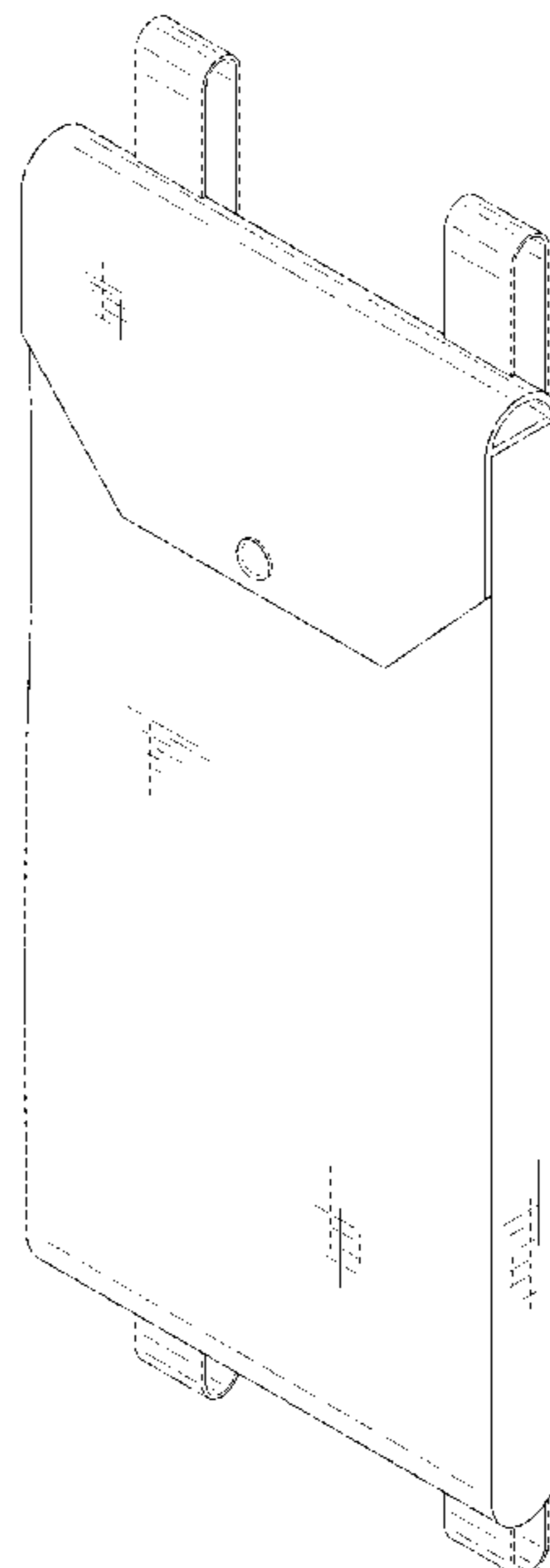
(57) **CLAIM**

The ornamental design for a pouch, as shown and described.

DESCRIPTION

FIG. 1 is a front view of a pouch showing my new design;
FIG. 2 is a rear view of the pouch;
FIG. 3 is a left side view of the pouch;
FIG. 4 is a right side view of the pouch;
FIG. 5 is a top view of the pouch;
FIG. 6 is a bottom view of the pouch; and,
FIG. 7 is a top front side perspective view of the pouch.

1 Claim, 5 Drawing Sheets



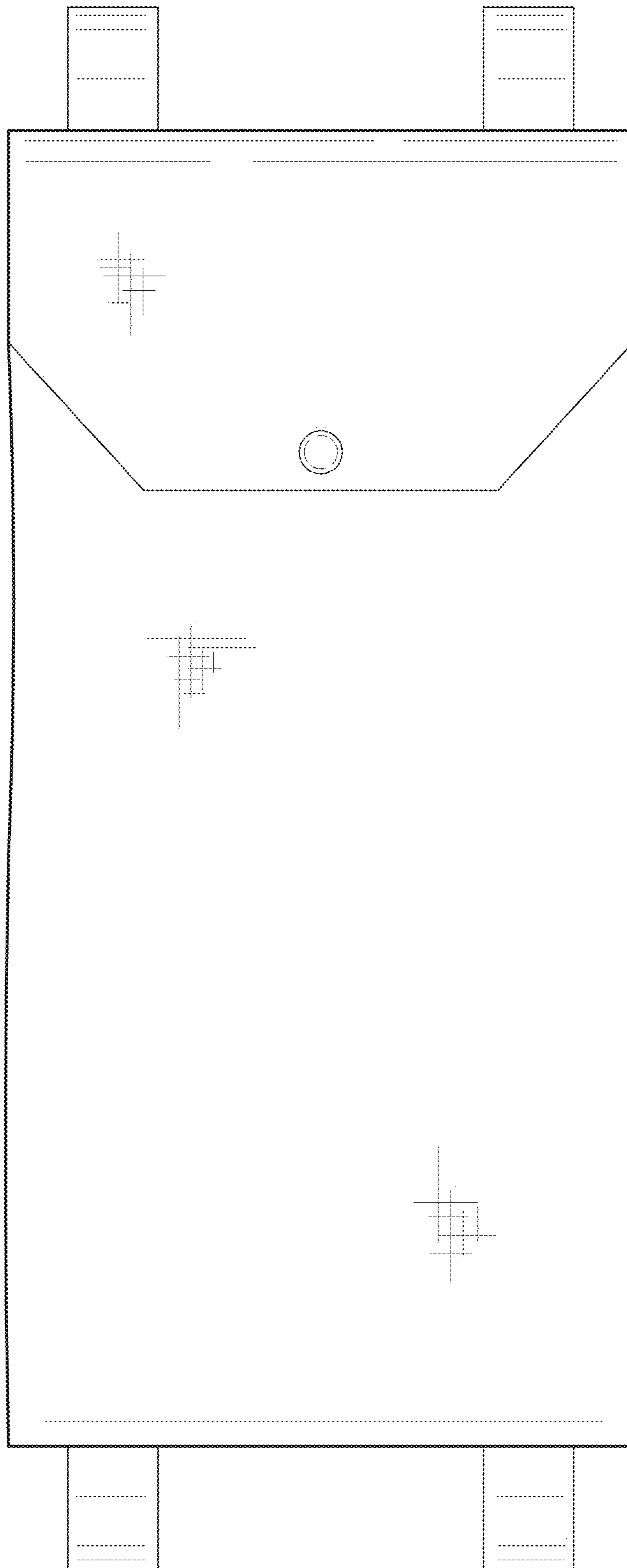


FIG. 1

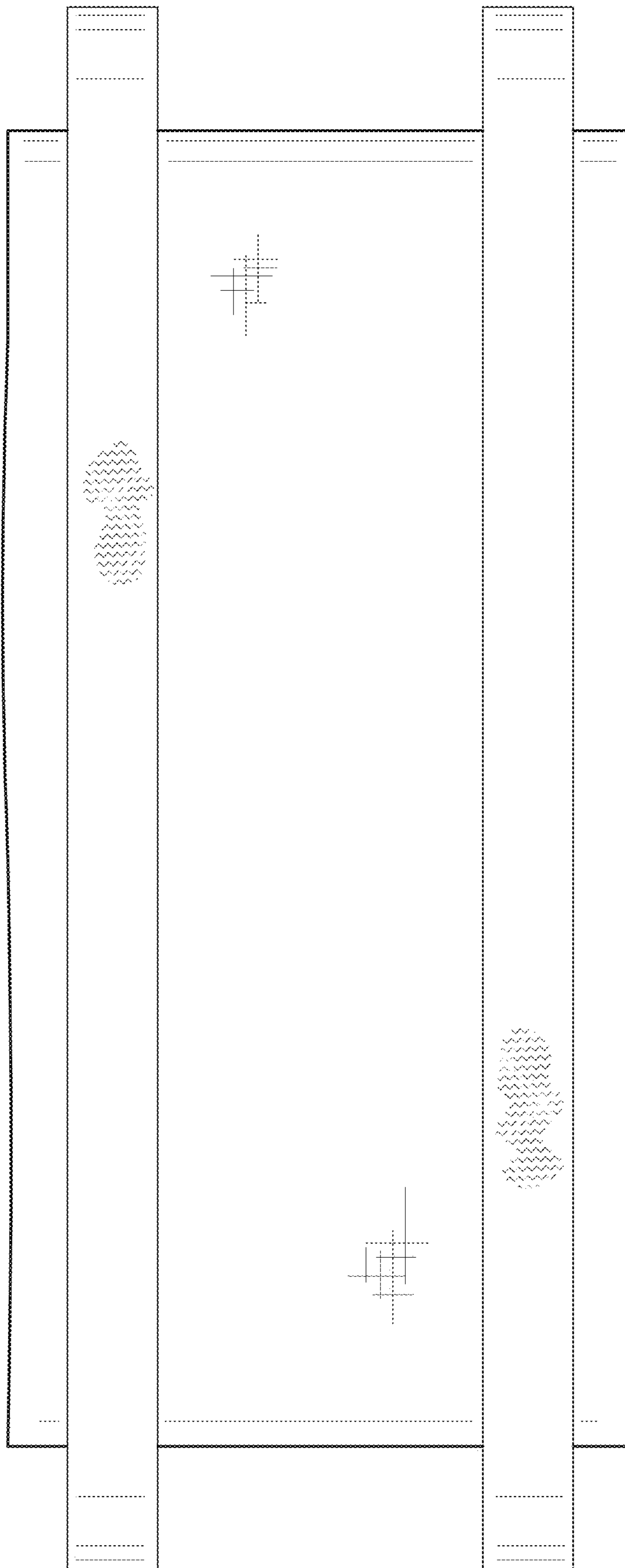


FIG. 2

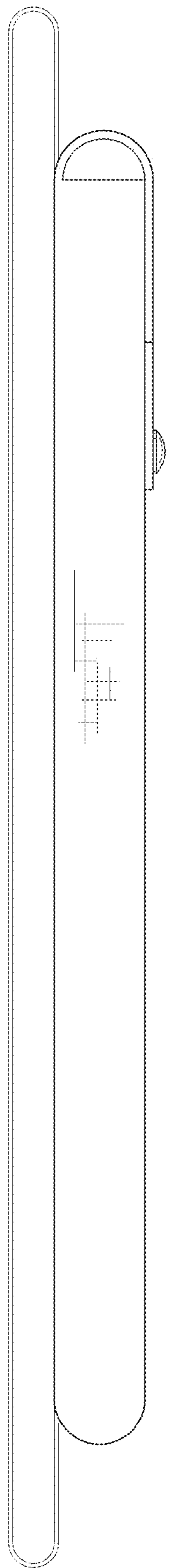


FIG. 3

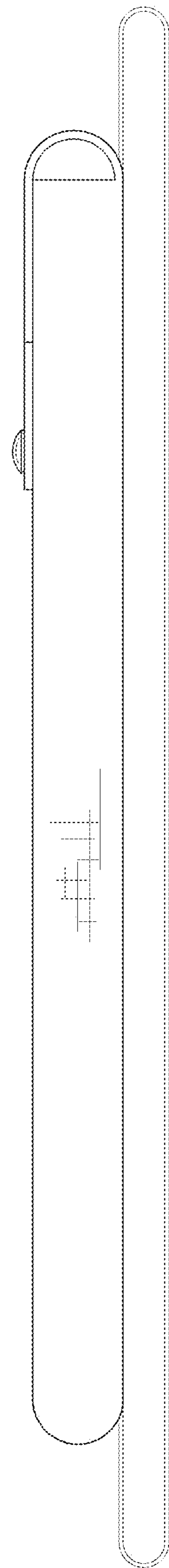


FIG. 4

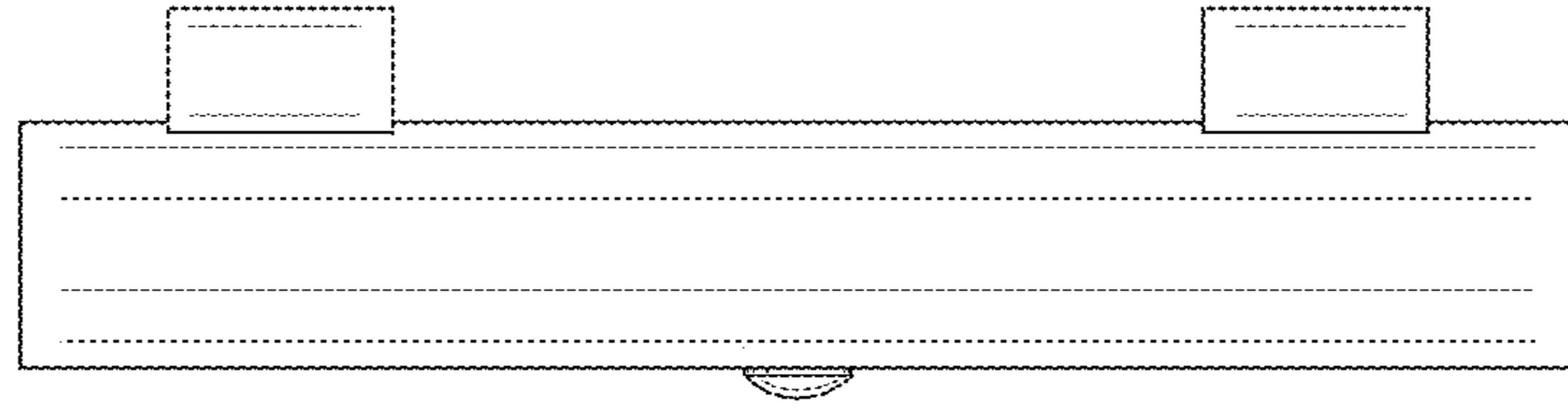


FIG. 5

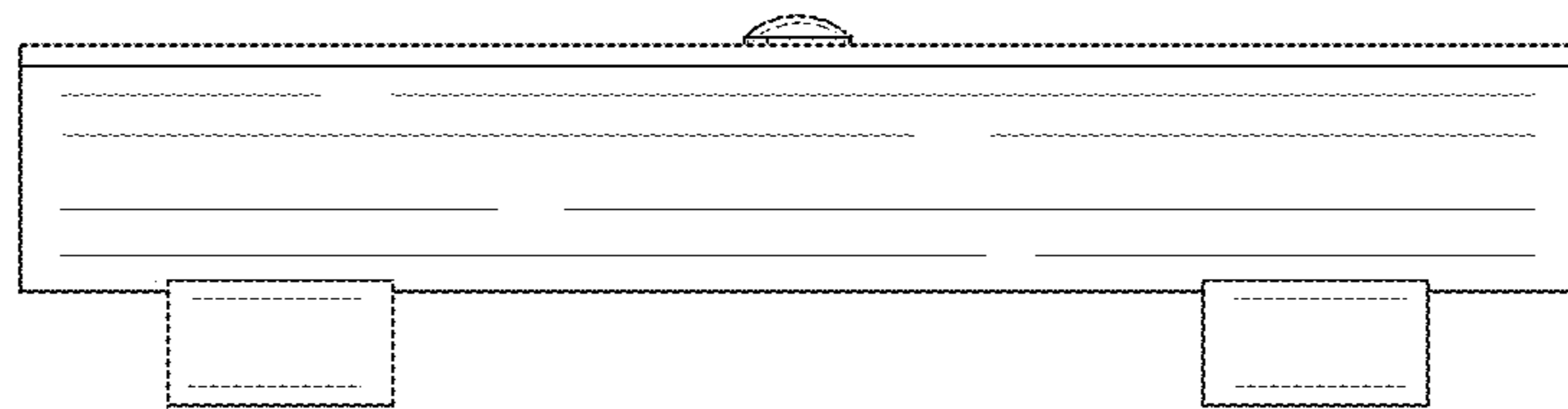


FIG. 6

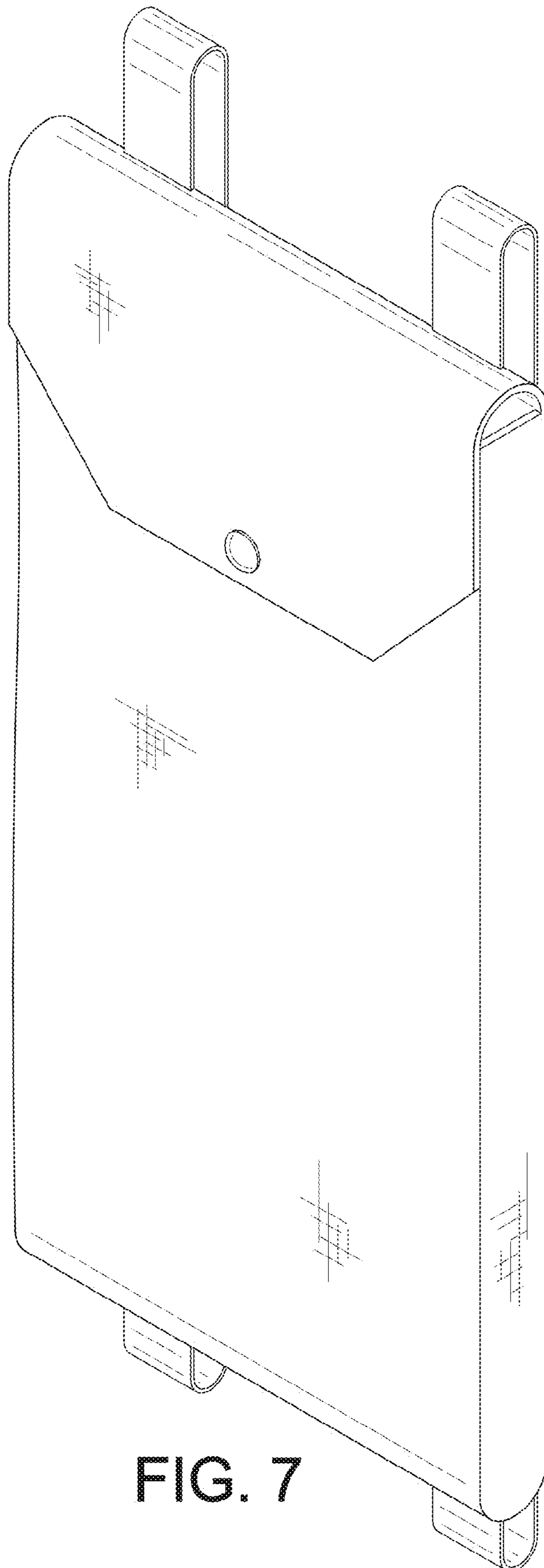


FIG. 7