



US00D901891S

(12) **United States Design Patent** (10) **Patent No.:** **US D901,891 S**
Way (45) **Date of Patent:** **** Nov. 17, 2020**

(54) **CASE**

(71) Applicant: **Advanced Orthodontics and Education Association, LLC**, Ossining, NY (US)

(72) Inventor: **Bryce A. Way**, San Jose, CA (US)

(73) Assignee: **ADVANCED ORTHODONTICS AND EDUCATION ASSOCIATION, LLC**, Ossining, NY (US)

(**) Term: **15 Years**

(21) Appl. No.: **29/646,357**

(22) Filed: **May 3, 2018**

(51) **LOC (12) Cl.** **03-01**

(52) **U.S. Cl.**
USPC **D3/302**

(58) **Field of Classification Search**

USPC D3/201, 203.1, 203.2, 273, 276, 294, D3/295, 298, 302, 318, 901, 902, 903; D9/772, 425, 723, 737; D28/82, 7, 76, D28/78

CPC A45C 5/00; A45C 11/16; A45C 11/24; A45C 2200/05; A45C 2200/10; B65D 50/04; A45D 19/0008; A45D 2019/0091

See application file for complete search history.

(56) **References Cited**

U.S. PATENT DOCUMENTS

D342,157 S * 12/1993 Tiramani D3/203.1
D391,762 S * 3/1998 Ahern, Jr. D3/302
D458,127 S * 6/2002 de Groote D3/294
D540,035 S * 4/2007 Gerard D3/263
D612,152 S * 3/2010 Roesler D3/294
D640,058 S * 6/2011 Molina D3/294
D675,434 S * 2/2013 Vernall D3/294
D691,803 S * 10/2013 Chen D3/294
D795,874 S * 8/2017 Szeremeta D14/432

D811,745 S * 3/2018 Davi D3/294
D815,960 S * 4/2018 Way D9/737
D866,967 S * 11/2019 Meng D3/294
2008/0283422 A1 * 11/2008 Jansheski B65D 85/54
206/63.5

OTHER PUBLICATIONS

Propel Orthodontics, VPro+™, accessed Feb. 12, 2020. (<https://propelorthodontics.com/products/vpro-plus/>) (Year: 2020).*

* cited by examiner

Primary Examiner — April Rivas

(74) *Attorney, Agent, or Firm* — Finnegan, Henderson, Farabow, Garrett & Dunner, L.L.P.

(57) **CLAIM**

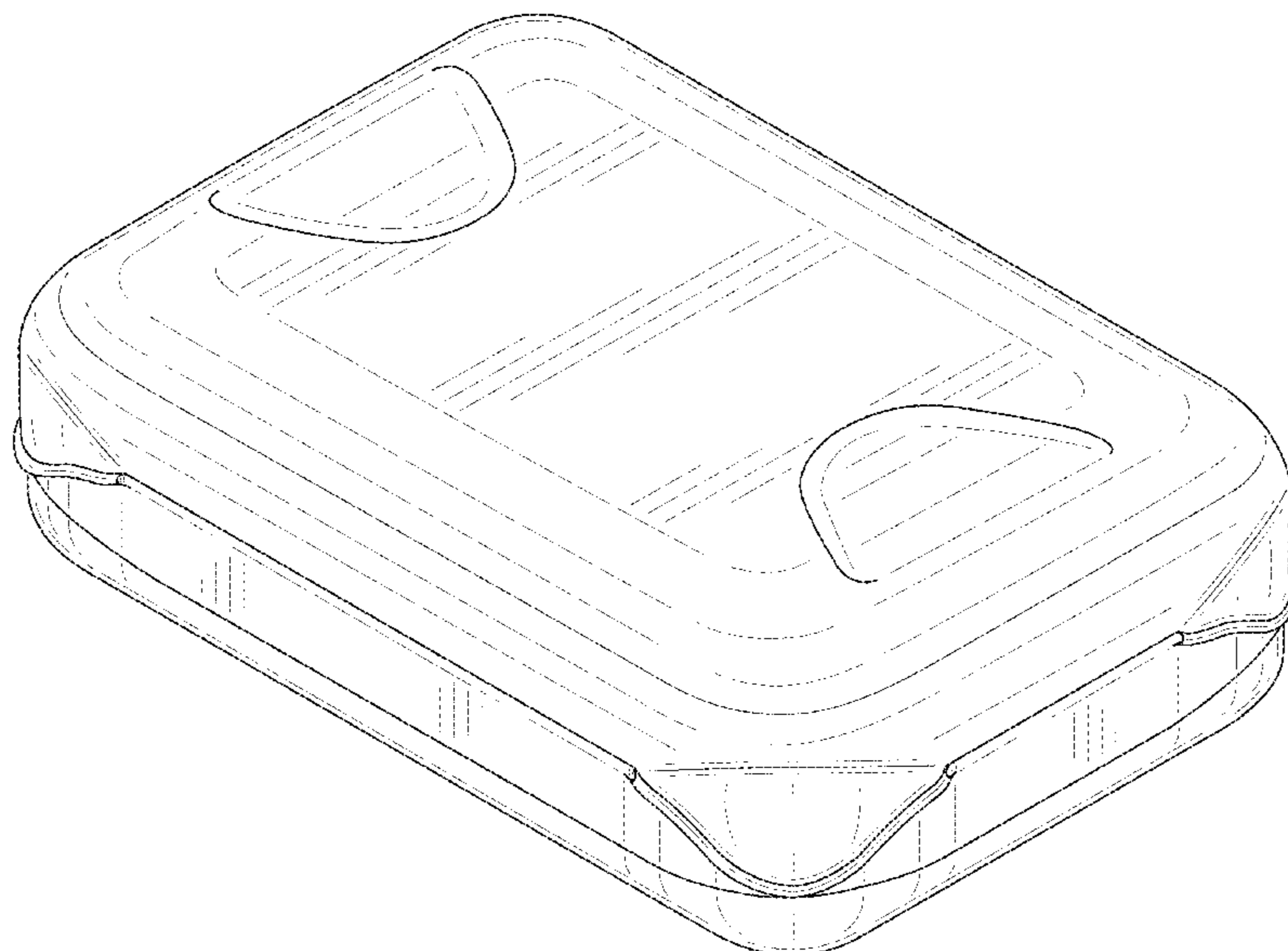
The ornamental design for a case, as shown and described.

DESCRIPTION

FIG. 1 is a top, front, right perspective view of a case in a closed configuration showing my new design; FIG. 2 is a right side view thereof; FIG. 3 is a left side view thereof; FIG. 4 is a front elevation view thereof; FIG. 5 is a rear elevation view thereof; FIG. 6 is a top plan view thereof; FIG. 7 is a bottom plan view thereof; FIG. 8 is a top, front, right, perspective view of the case of FIG. 1 in an open configuration; FIG. 9 is a right side view thereof; FIG. 10 is a left side view thereof; FIG. 11 is a front elevation view thereof; FIG. 12 is a rear elevation view thereof; FIG. 13 is a top plan view thereof; and, FIG. 14 is a bottom plan view thereof.

The broken lines of even length illustrate portions of the case that form no part of the claimed design. The top of the case is not shown in FIGS. 8-14 for convenience of illustration only.

1 Claim, 14 Drawing Sheets



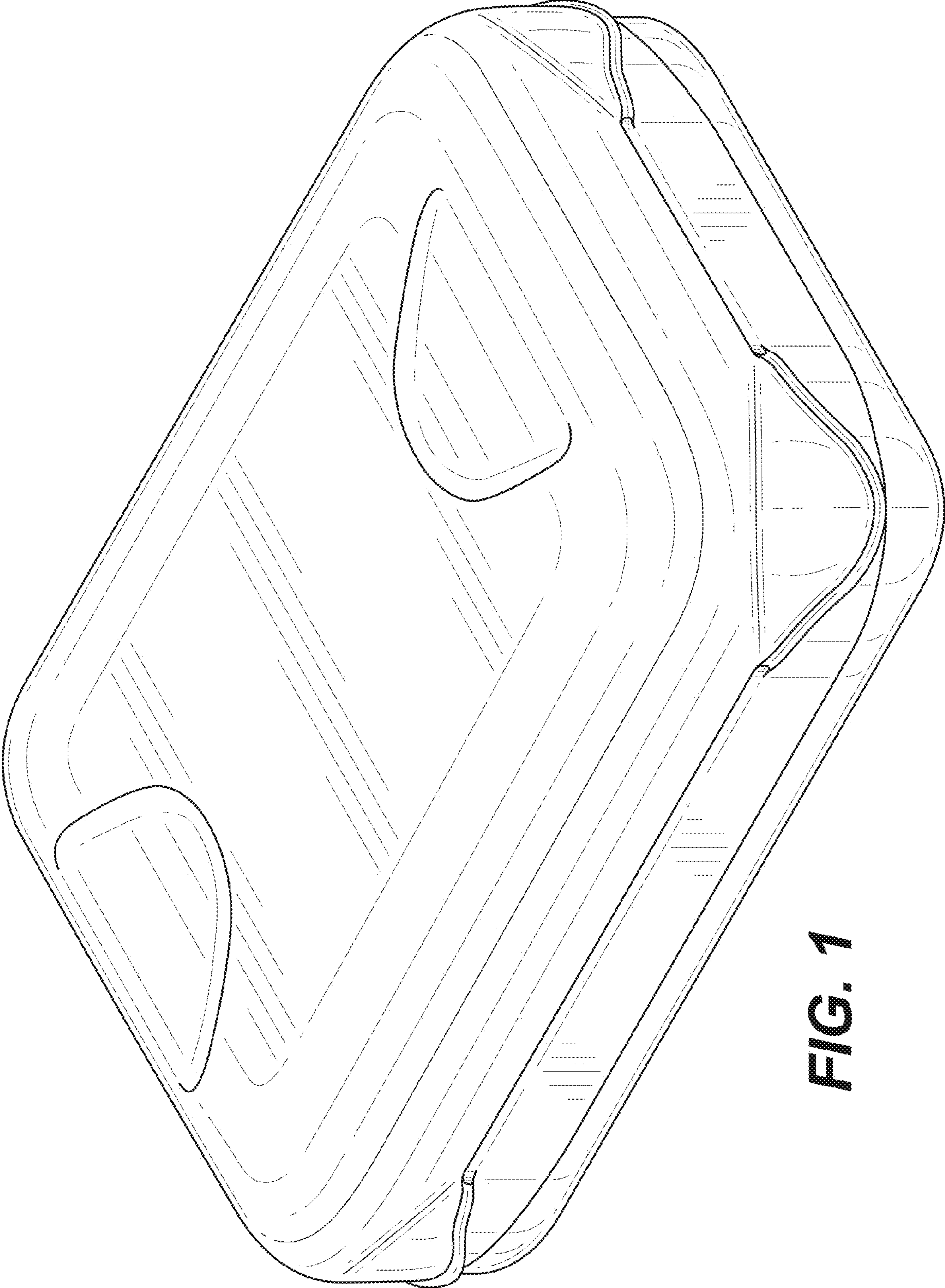


FIG. 1

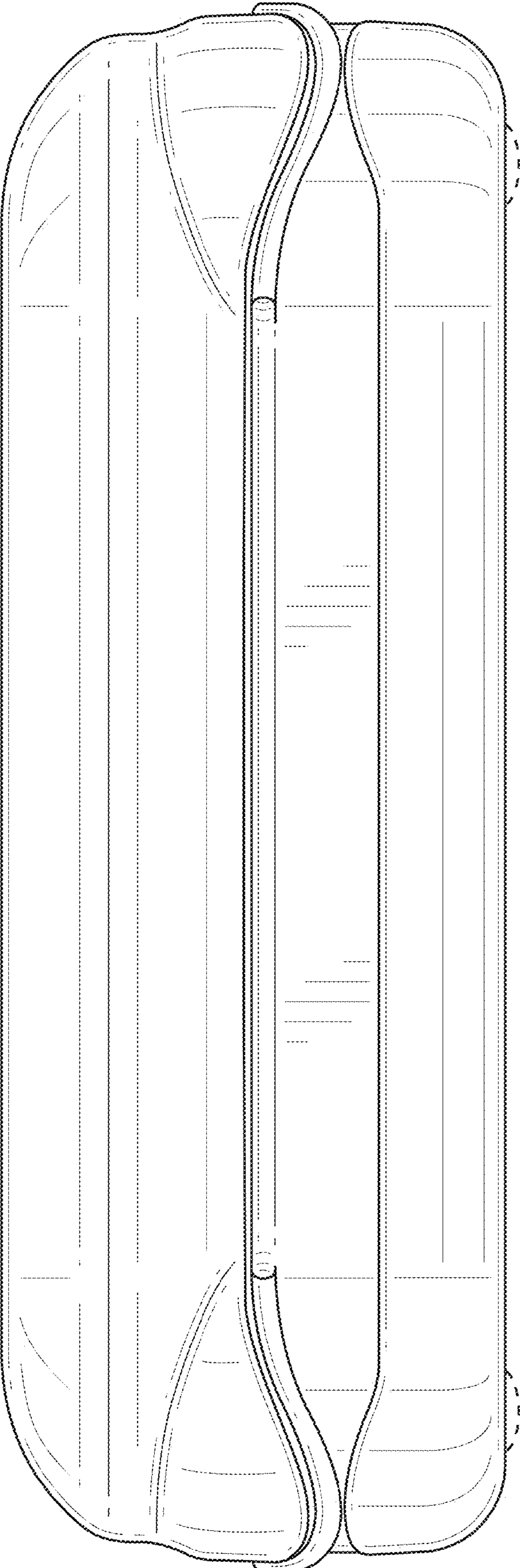


FIG. 2

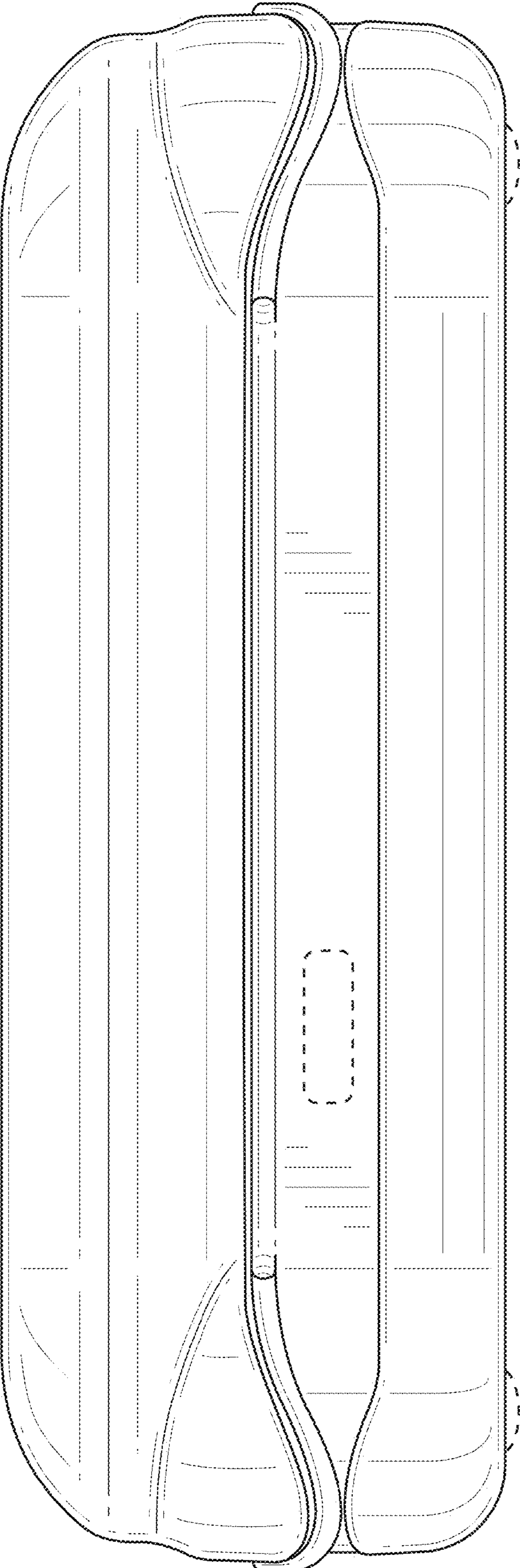


FIG. 3

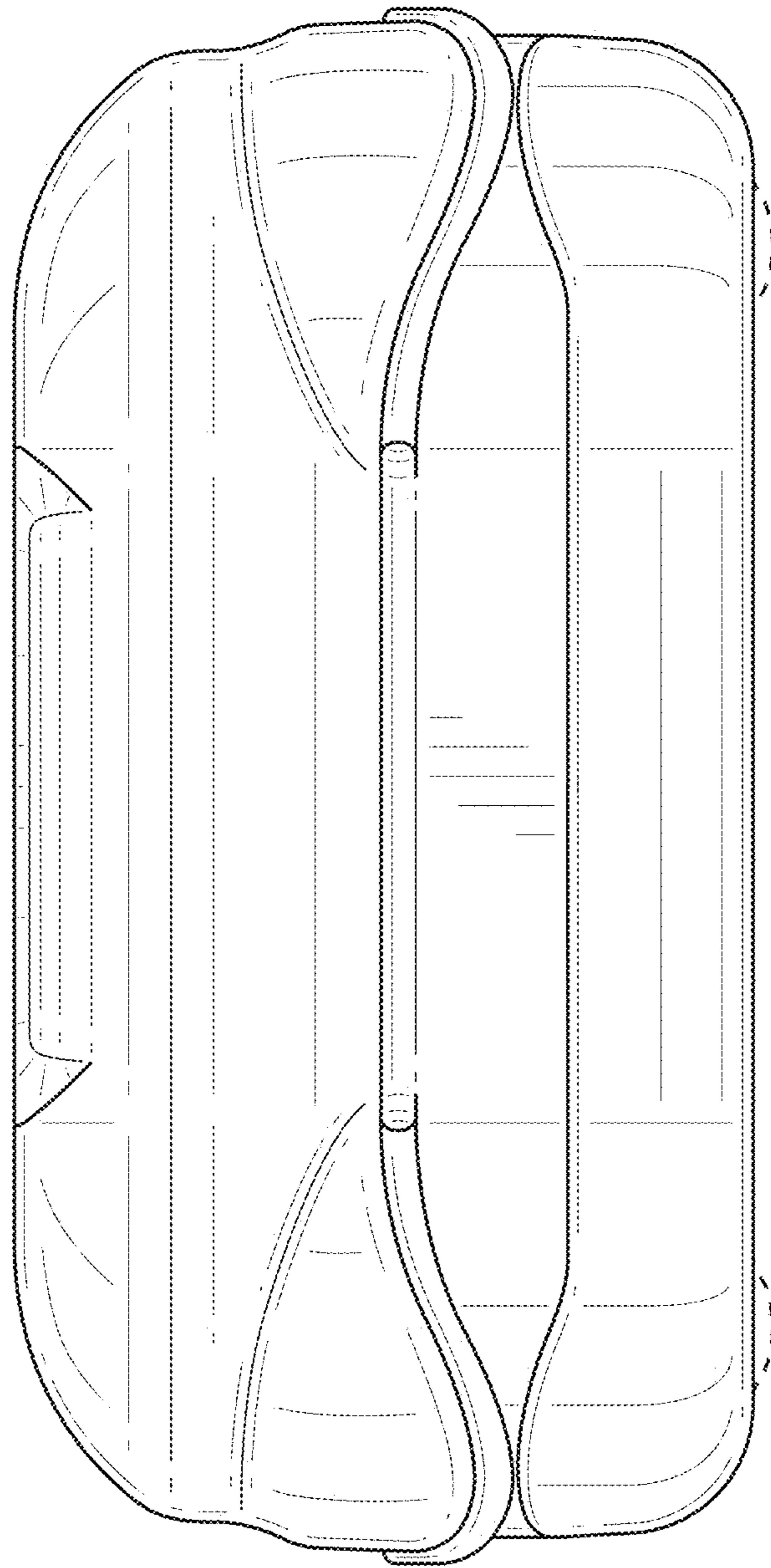


FIG. 4

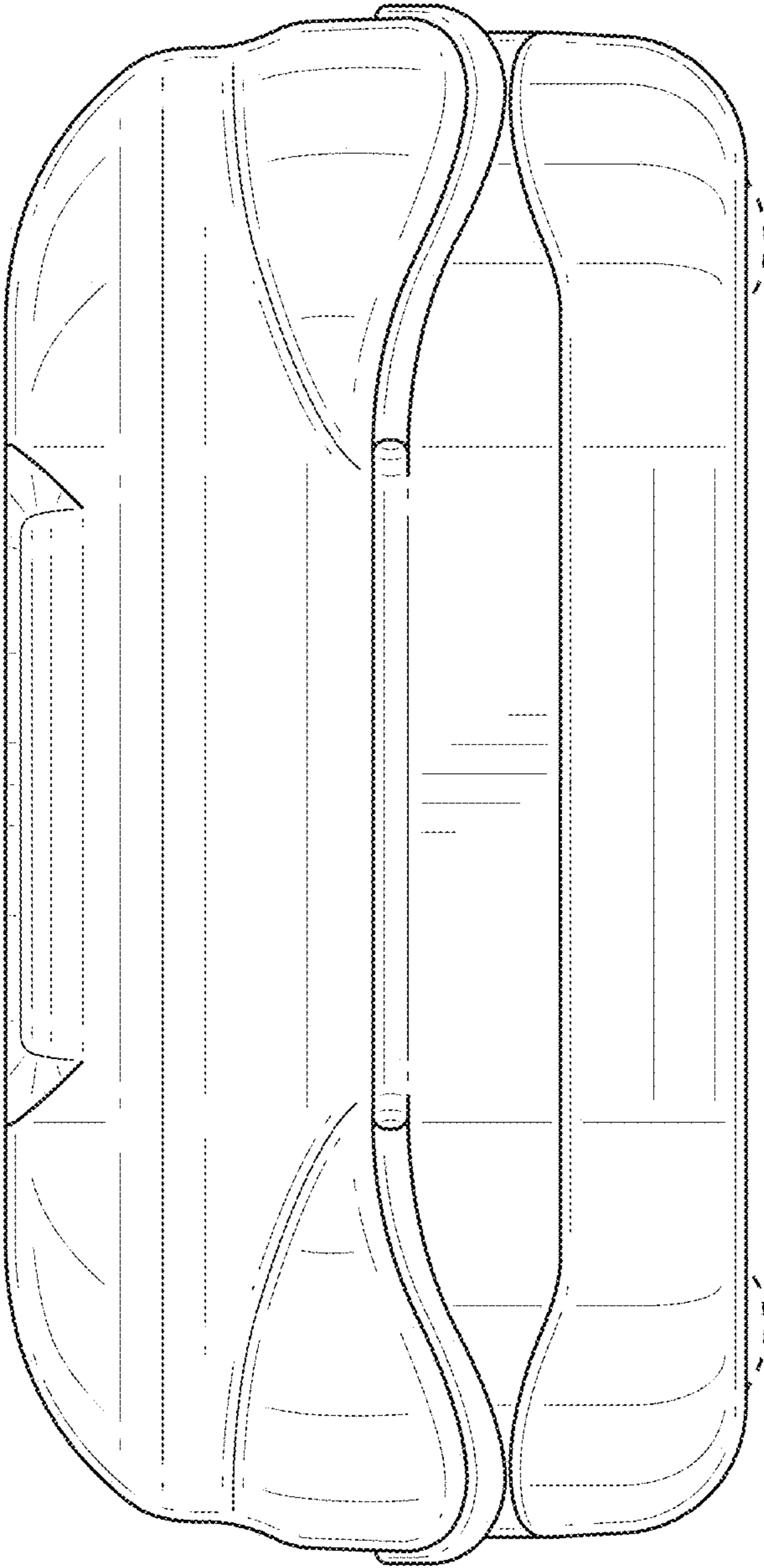


FIG. 5

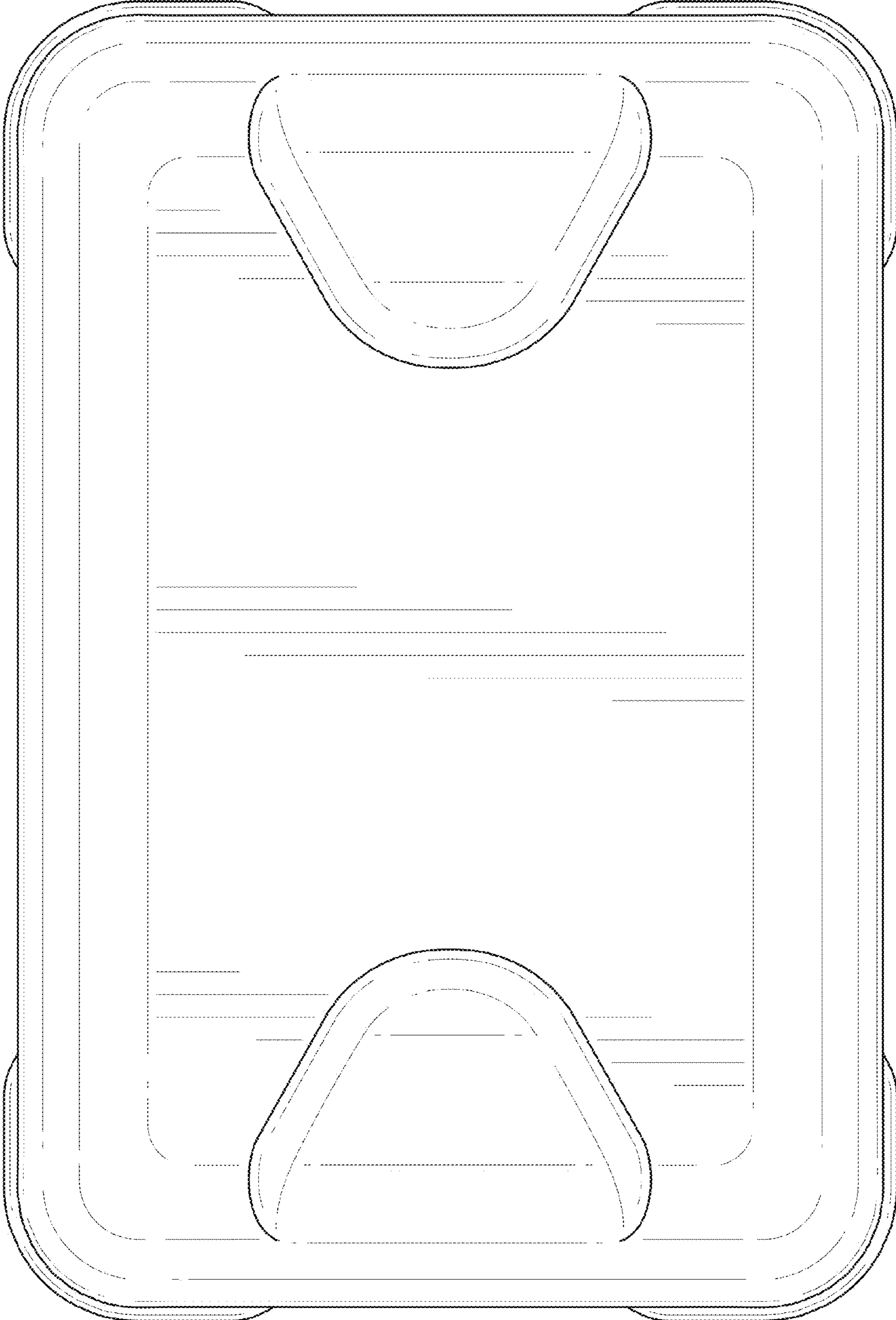


FIG. 6

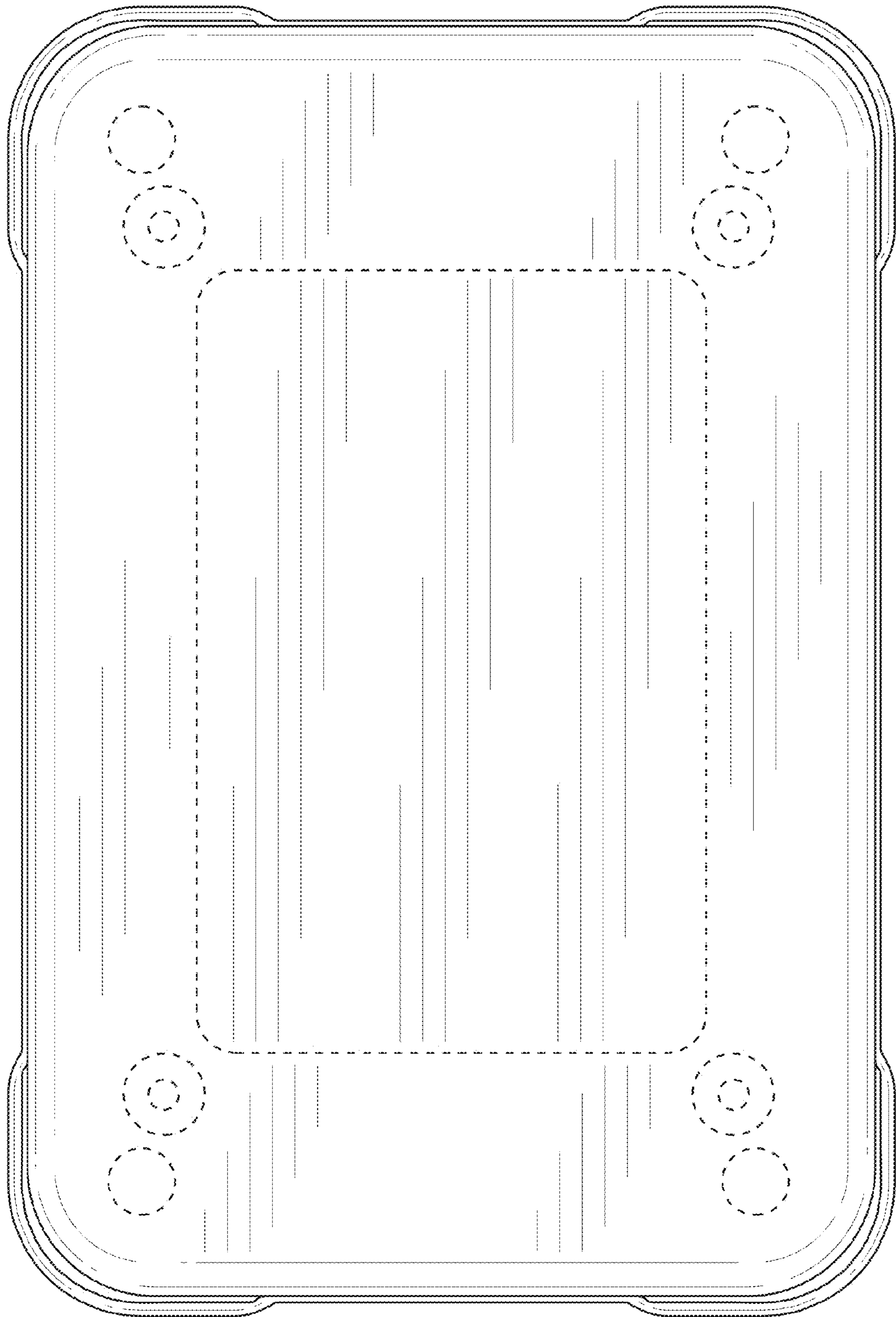


FIG. 7

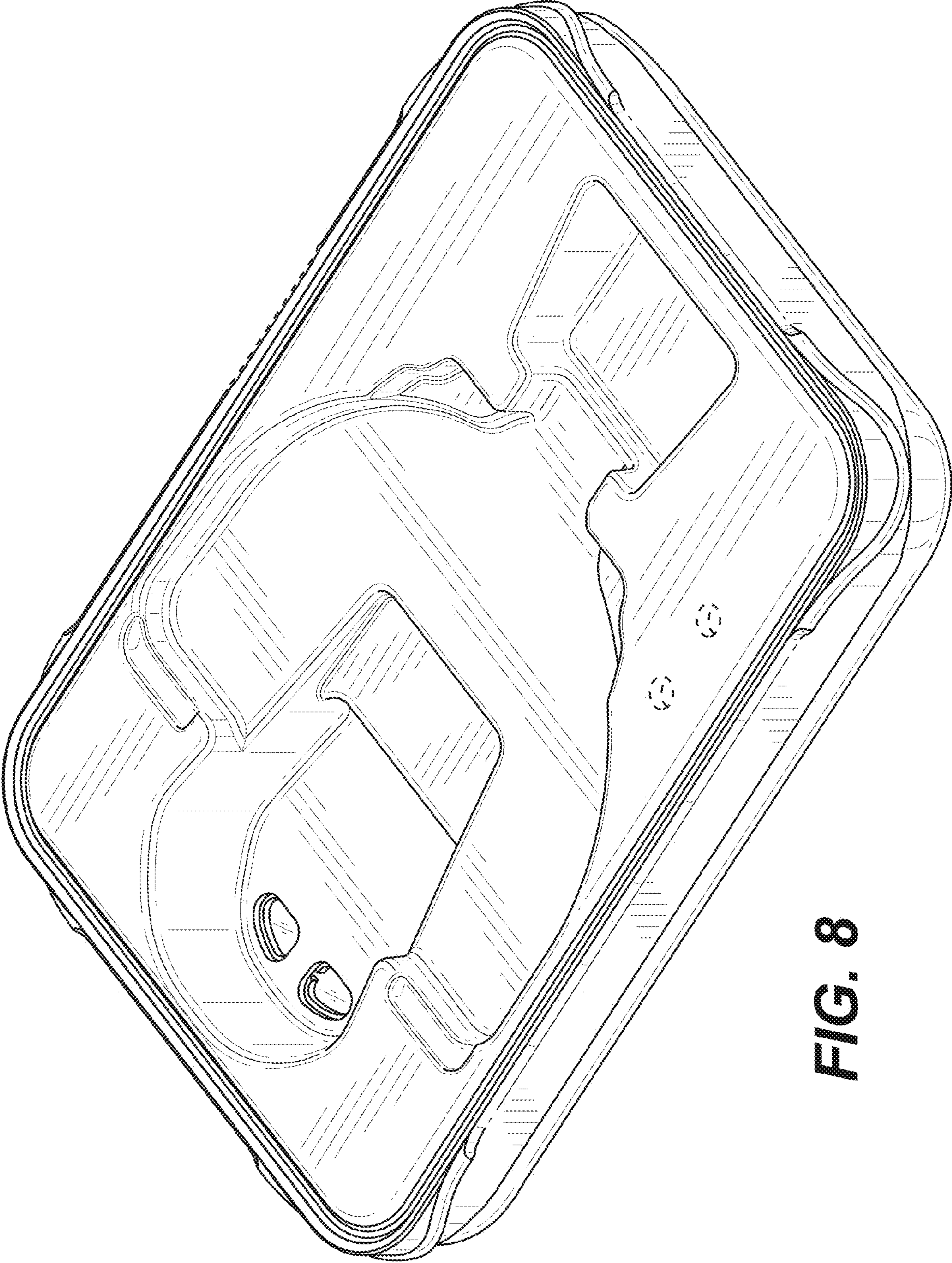


FIG. 8

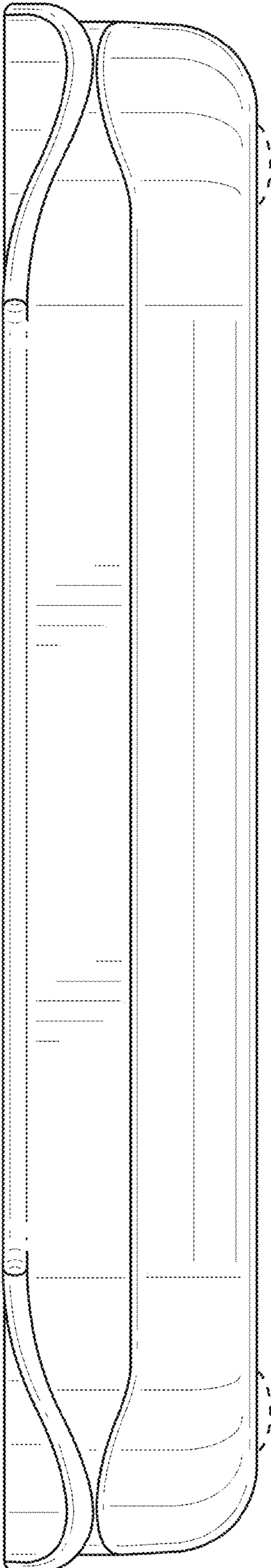


FIG. 9

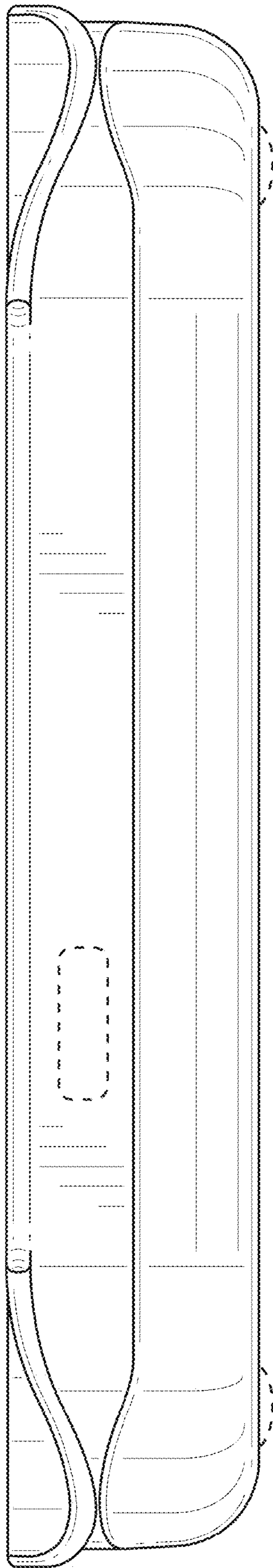


FIG. 10

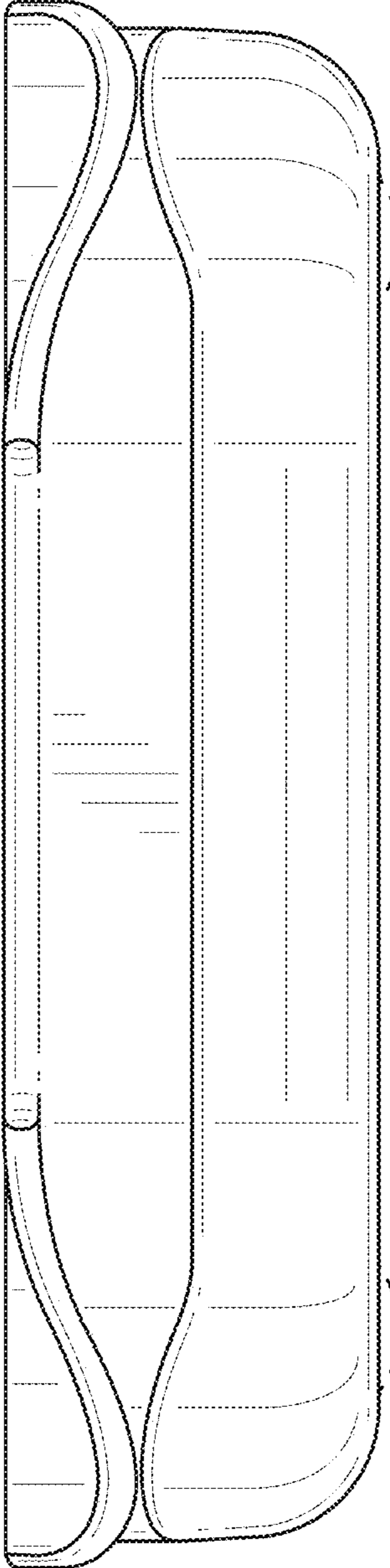


FIG. 11

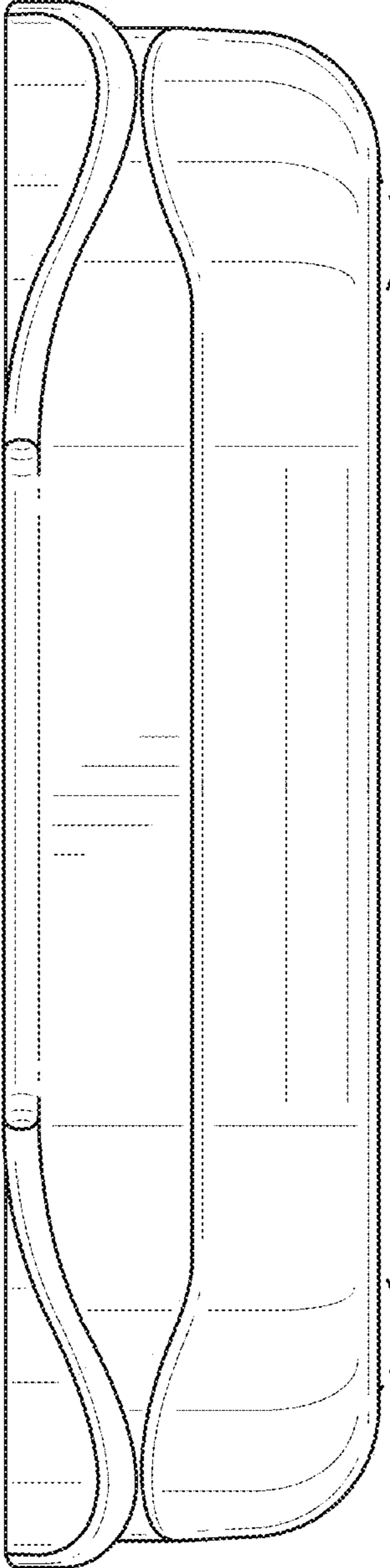


FIG. 12

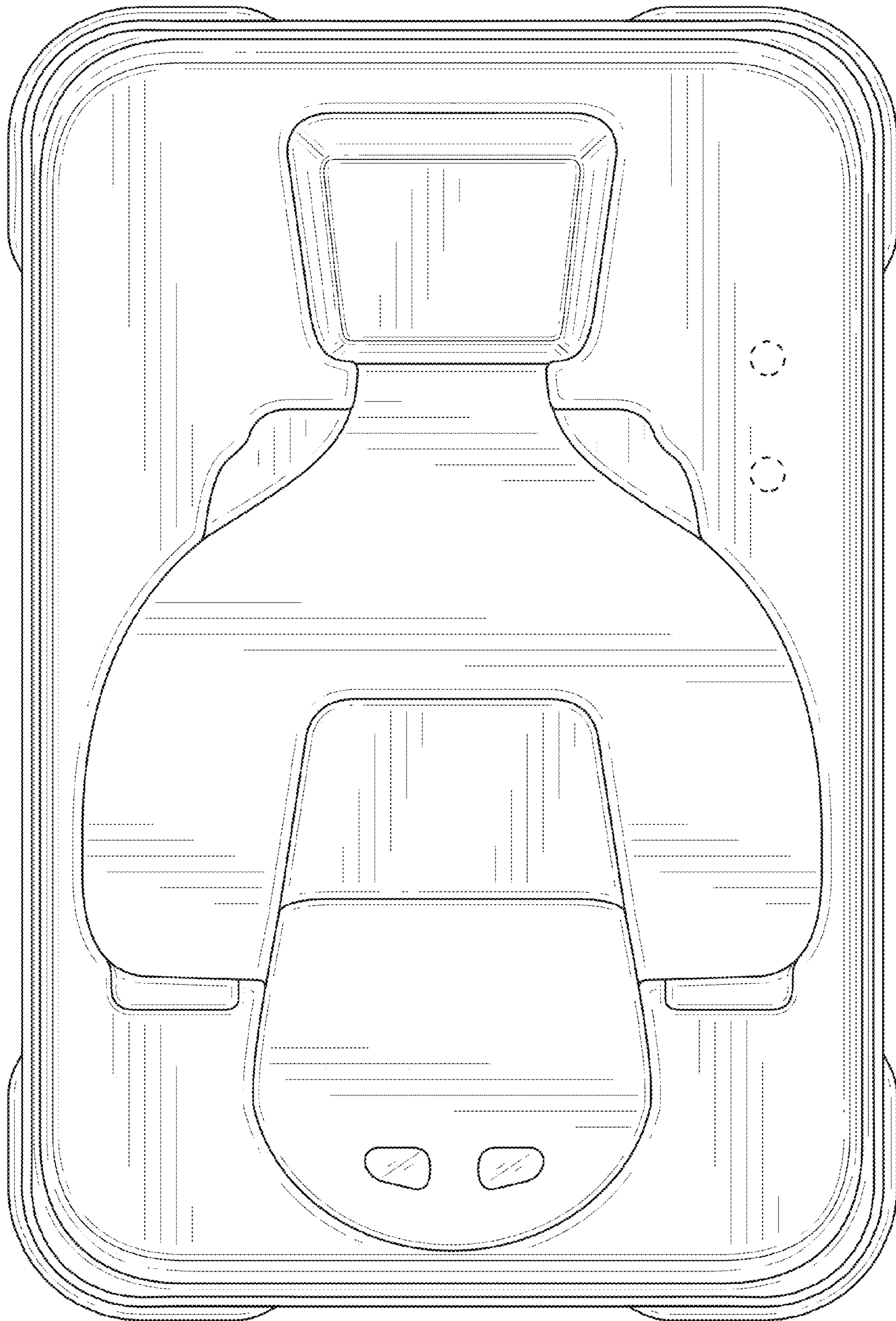


FIG. 13

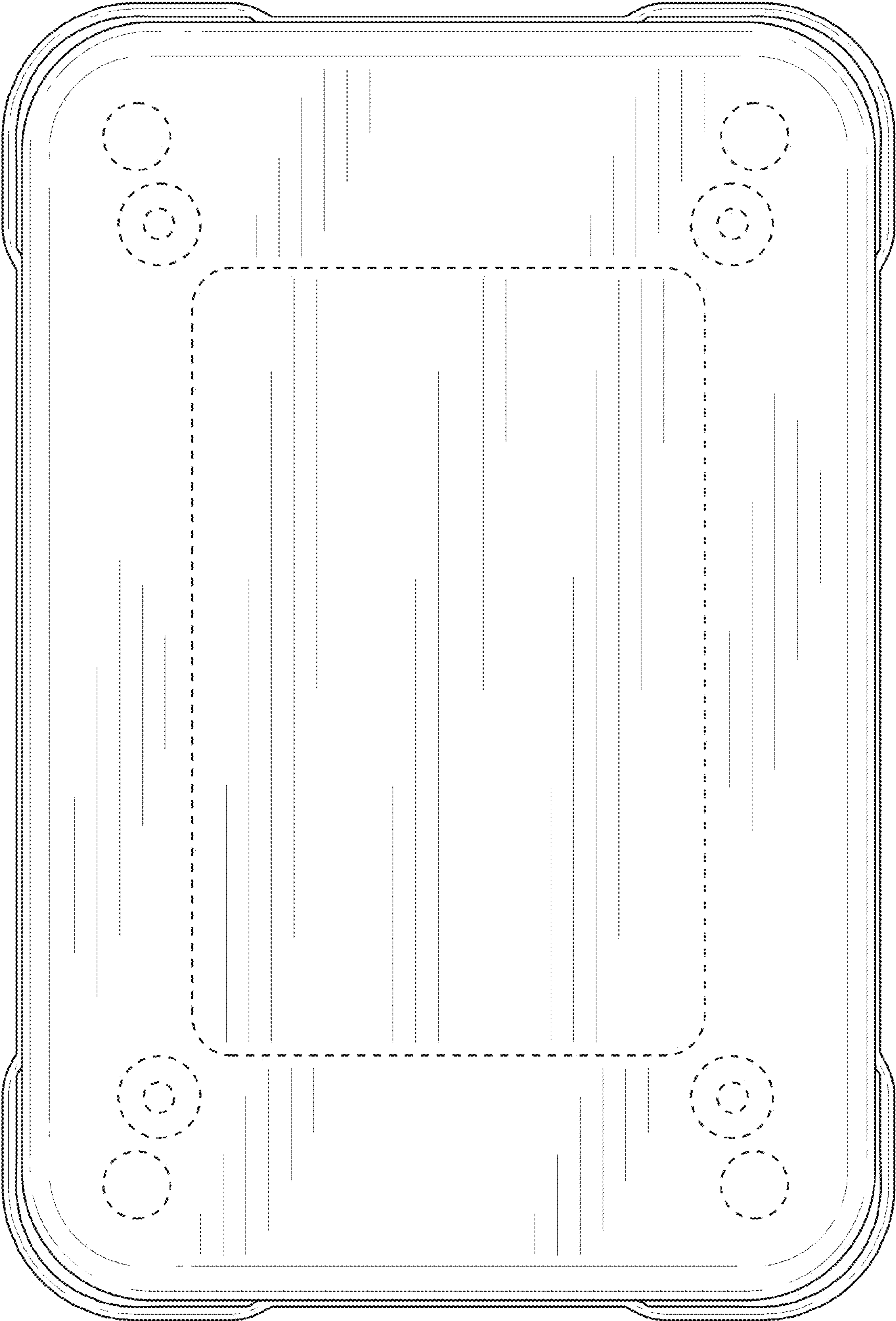


FIG. 14