



US00D901890S

(12) **United States Design Patent** (10) **Patent No.:** **US D901,890 S**  
**Lee** (45) **Date of Patent:** **\*\* \*Nov. 17, 2020**

- (54) **HANDBAG**
- (71) Applicant: **BOTTEGA VENETA S.R.L.**,  
Montebello Vicentino (IT)
- (72) Inventor: **Daniel Harry Lee**, Milan (IT)
- (73) Assignee: **BOTTEGA VENETA S.R.L.**,  
Montebello Vicentino (IT)
- (\*) Notice: This patent is subject to a terminal disclaimer.
- (\*\*) Term: **15 Years**
- (21) Appl. No.: **29/693,724**
- (22) Filed: **Jun. 4, 2019**
- (30) **Foreign Application Priority Data**  
Dec. 5, 2018 (WO) ..... DM/200472
- (51) **LOC (12) Cl.** ..... **03-01**
- (52) **U.S. Cl.**  
USPC ..... **D3/246**
- (58) **Field of Classification Search**  
USPC ..... D3/232-233, 240-243, 245-246  
CPC ..... A45C 1/024; A45C 3/08  
See application file for complete search history.

D767,880 S *	10/2016	Fricano	.....	D3/232
D785,934 S *	5/2017	Maier	.....	D3/243
D787,180 S *	5/2017	Maier	.....	D3/243
D804,171 S *	12/2017	Judah	.....	D3/245
D806,385 S *	1/2018	Maier	.....	D3/243
D828,022 S *	9/2018	Maier	.....	D3/243
D855,973 S *	8/2019	Maier	.....	D3/232
D858,981 S *	9/2019	Sassi	.....	D3/243
D858,982 S *	9/2019	Sassi	.....	D3/243
2014/0369629 A1 *	12/2014	De La Fuente Lara	.....	A45C 3/001
				383/17

\* cited by examiner

*Primary Examiner* — Holly H Baynham

(74) *Attorney, Agent, or Firm* — Fross, Zelnick, Lehrman & Zissu, PC; Charles T. J. Weigell, Esq.

(57) **CLAIM**

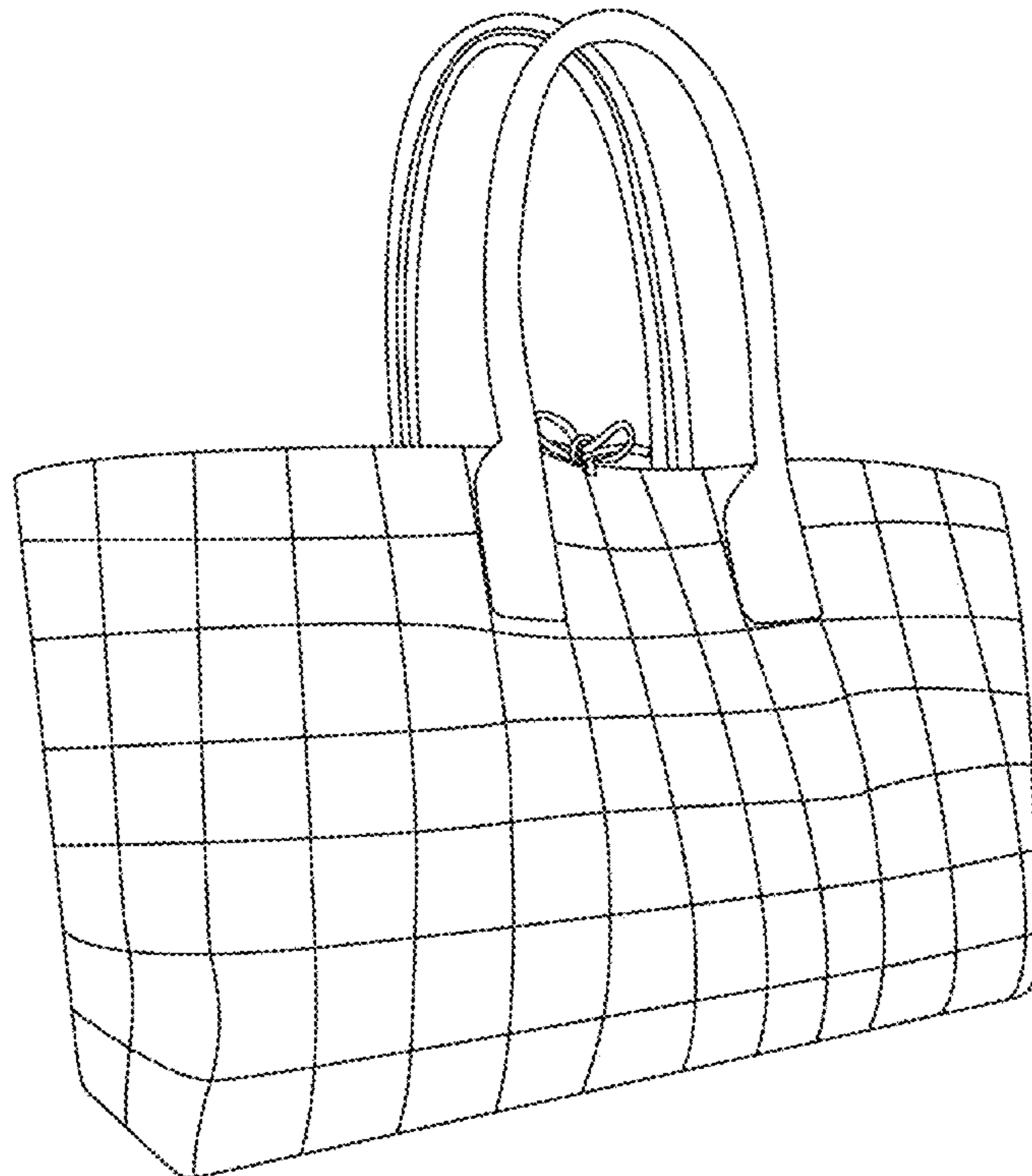
The ornamental design for a handbag, as shown and described.

**DESCRIPTION**

FIG. 1 is a front perspective view of a handbag showing my new design;  
FIG. 2 is a front view thereof;  
FIG. 3 is a back view thereof;  
FIG. 4 is a right side view thereof;  
FIG. 5 is a left side view thereof;  
FIG. 6 is a top view thereof; and,  
FIG. 7 is a bottom view thereof.

**1 Claim, 7 Drawing Sheets**

- (56) **References Cited**  
U.S. PATENT DOCUMENTS  
D665,575 S \* 8/2012 Bouskill ..... D3/232  
D748,912 S \* 2/2016 Frisoni ..... D3/232



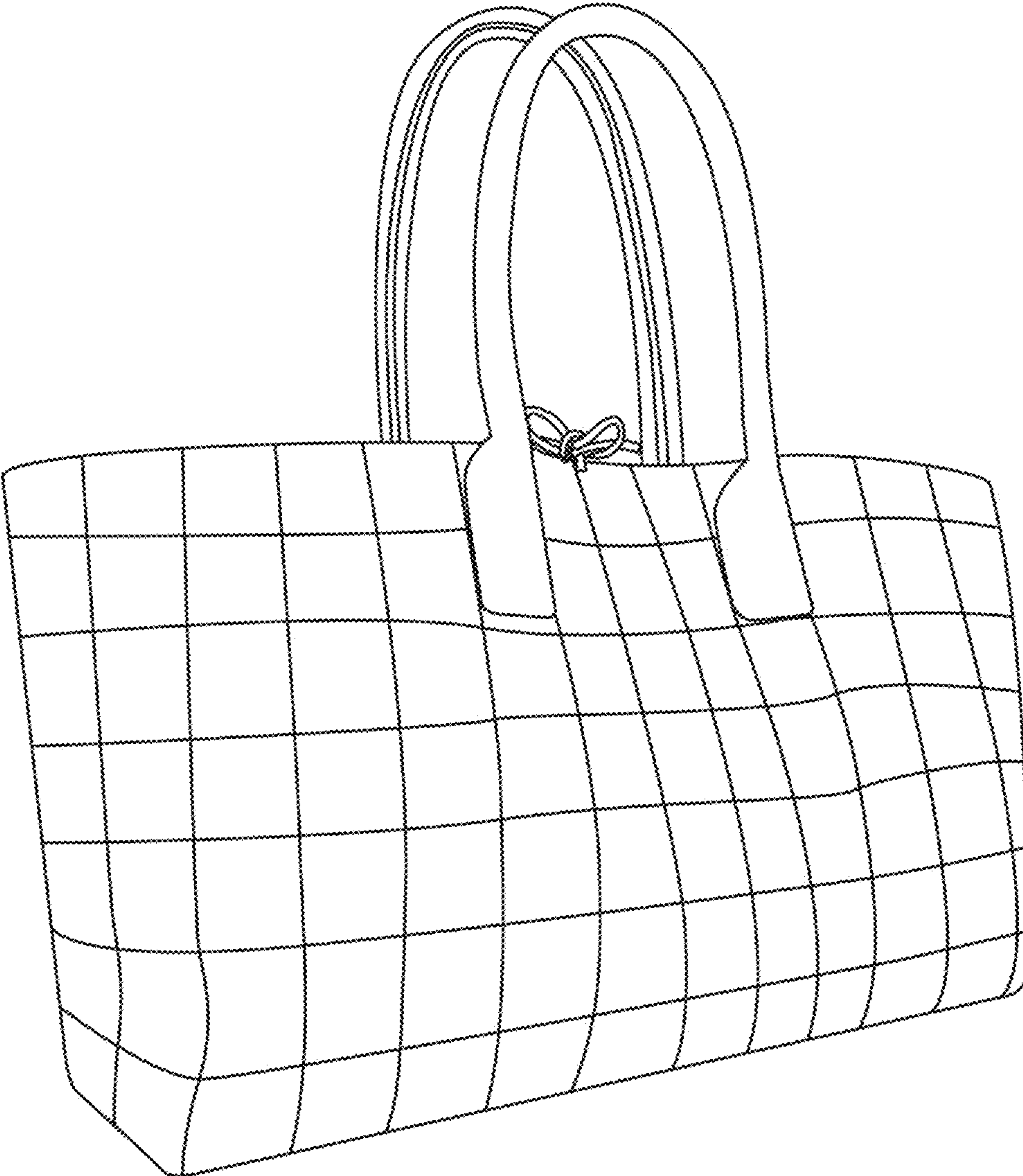


FIG. 1

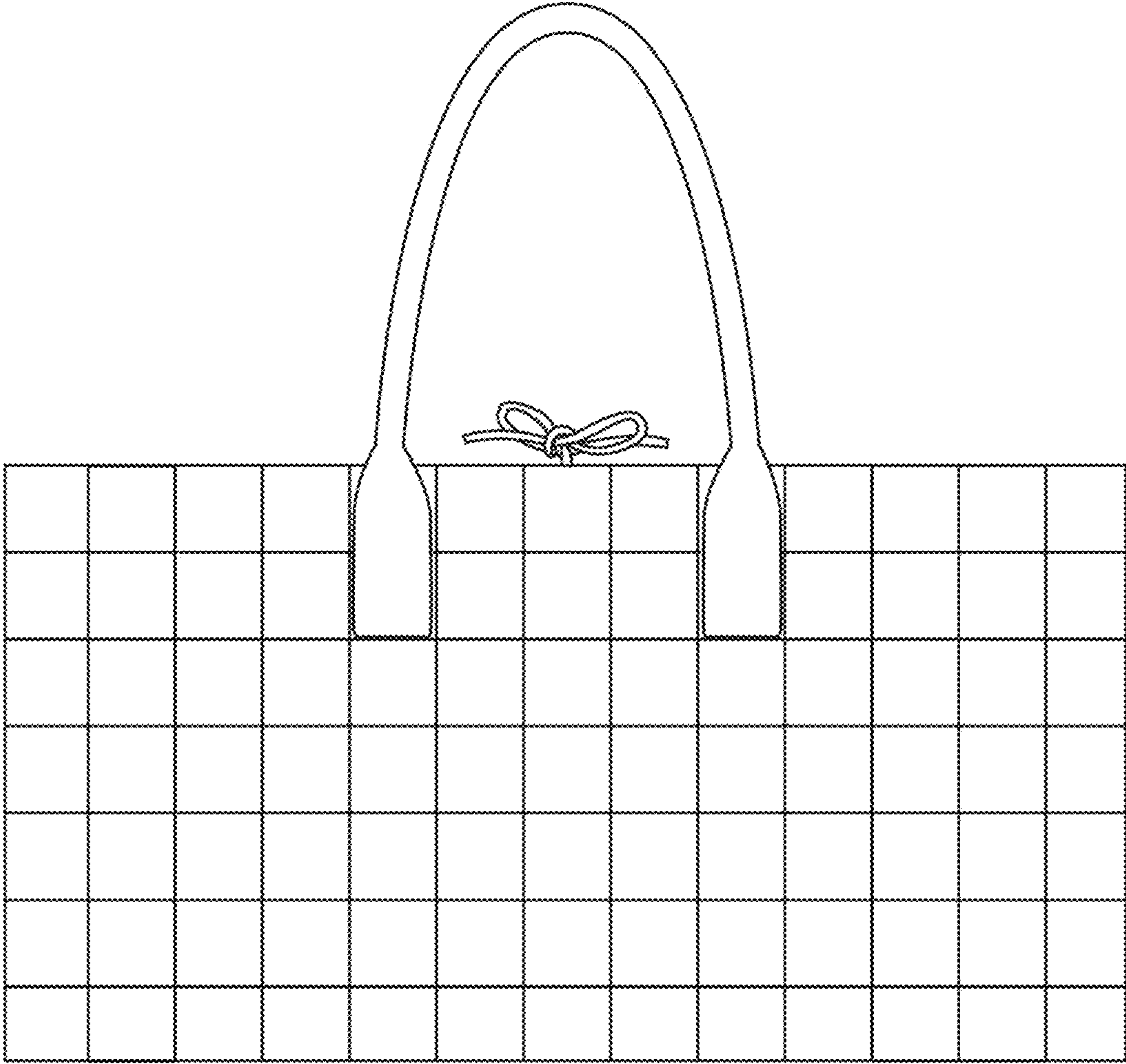


FIG. 2

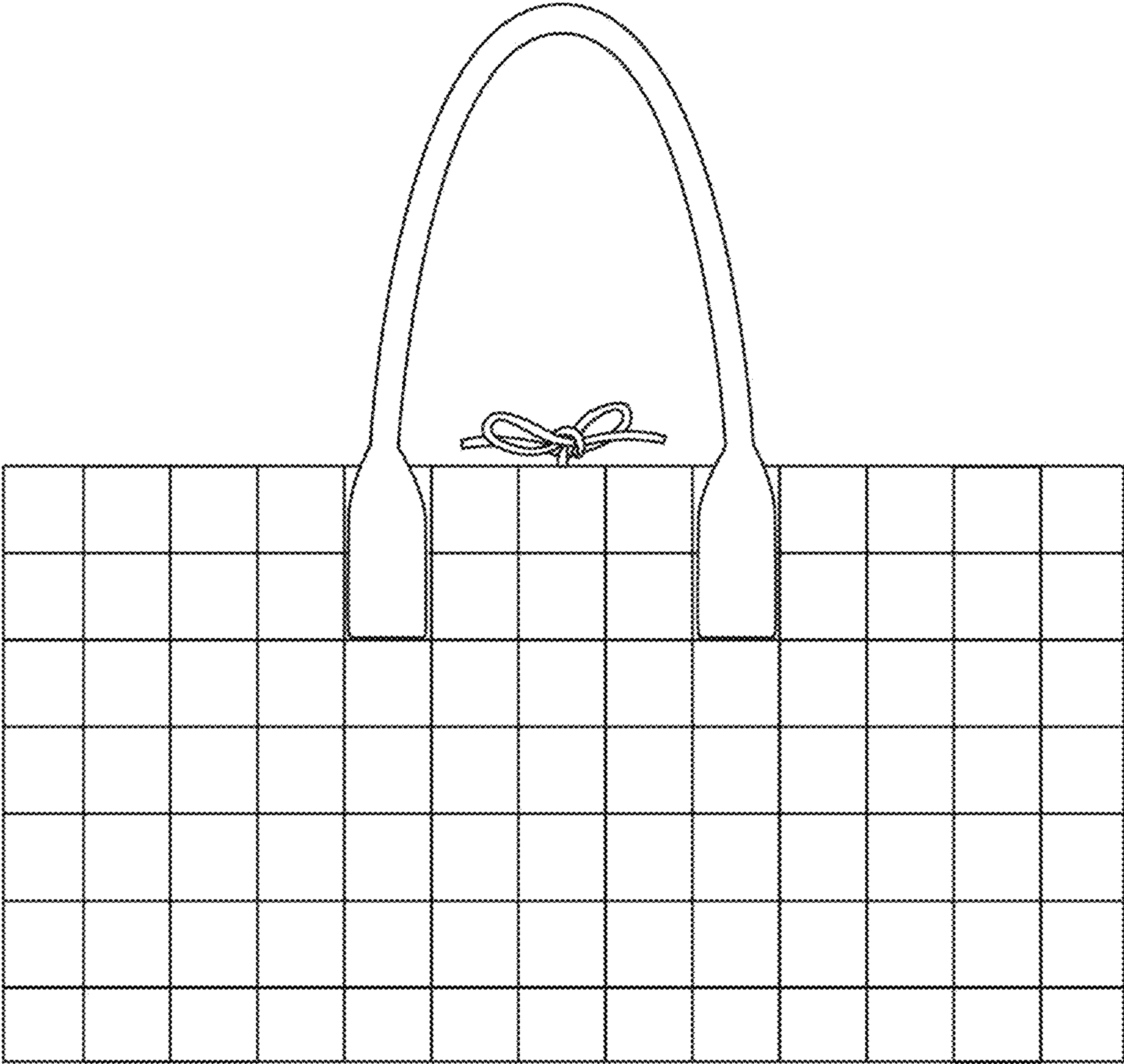


FIG. 3



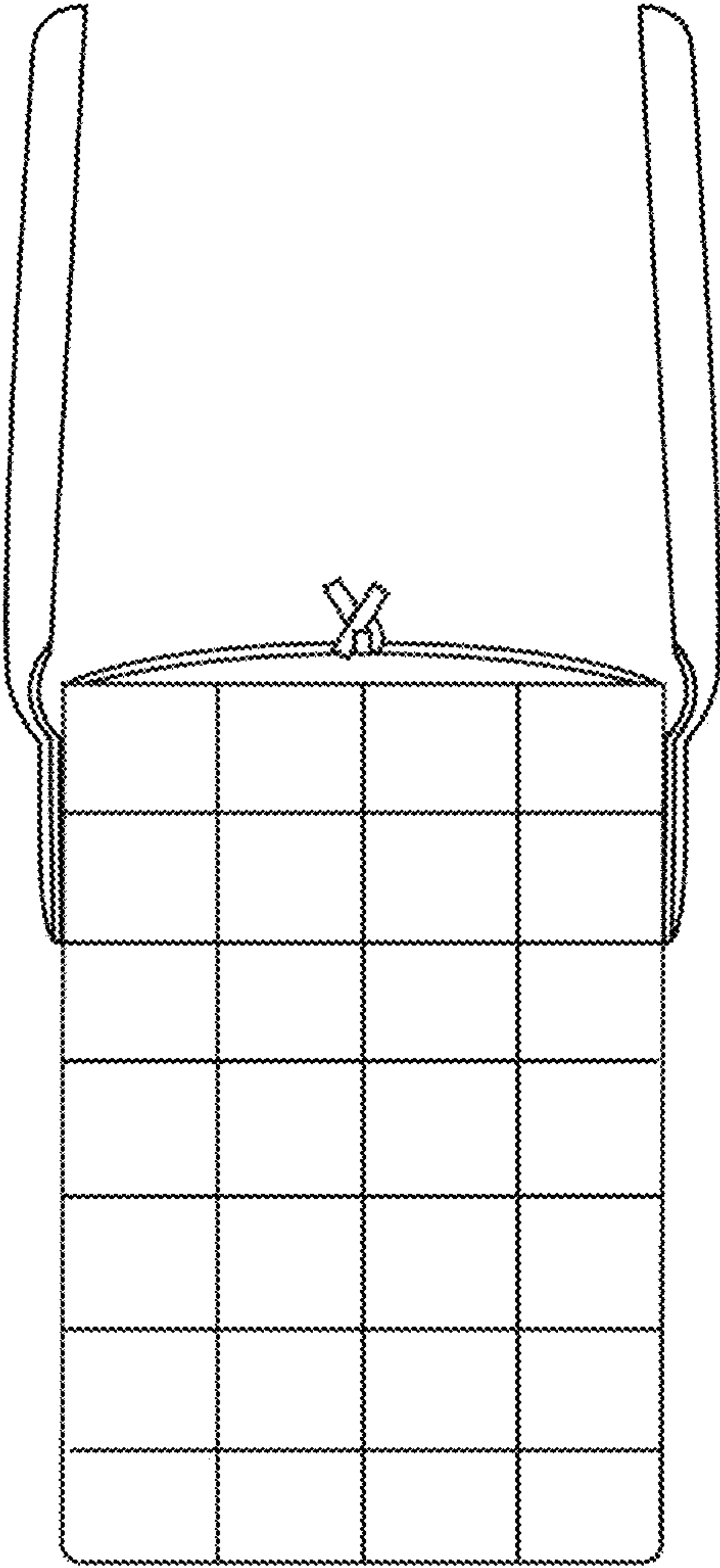


FIG. 4

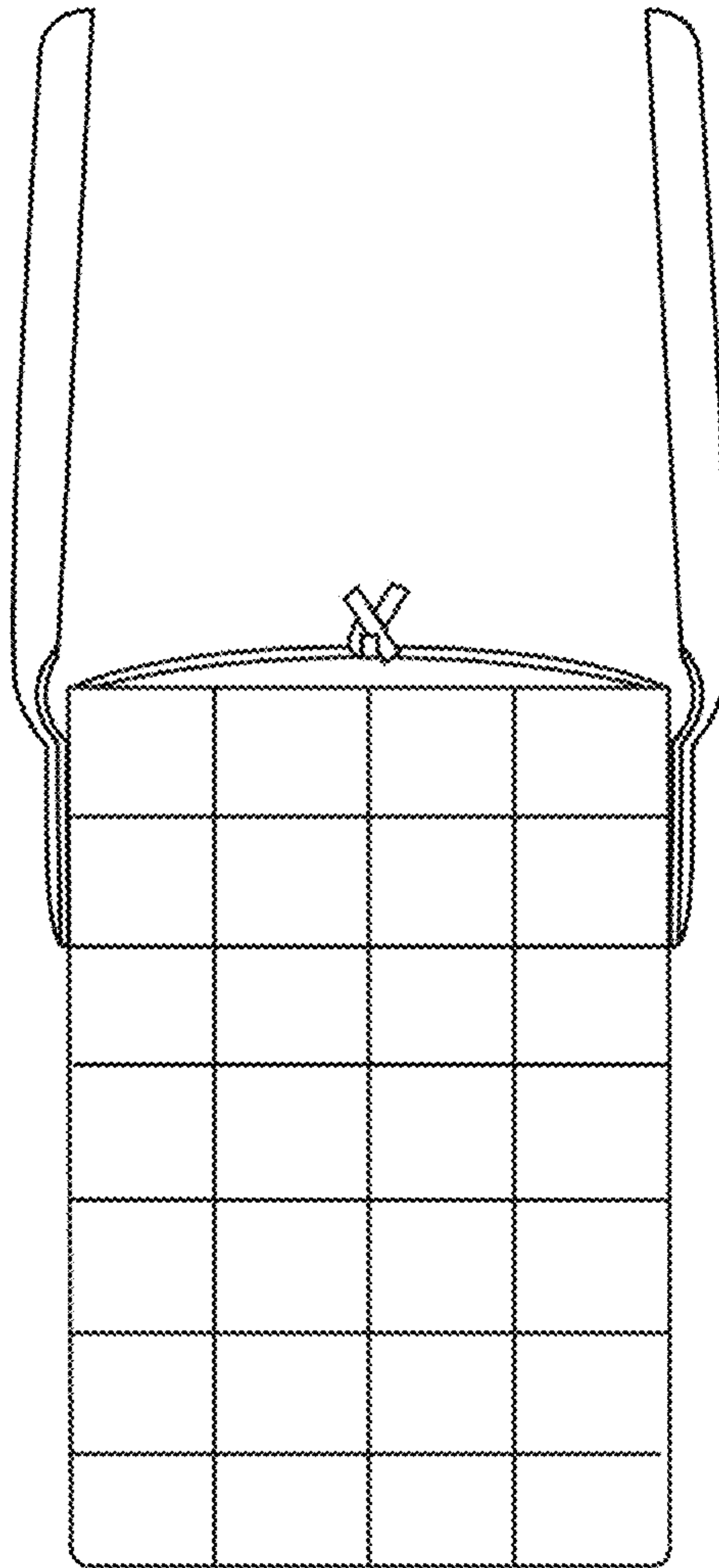


FIG. 5

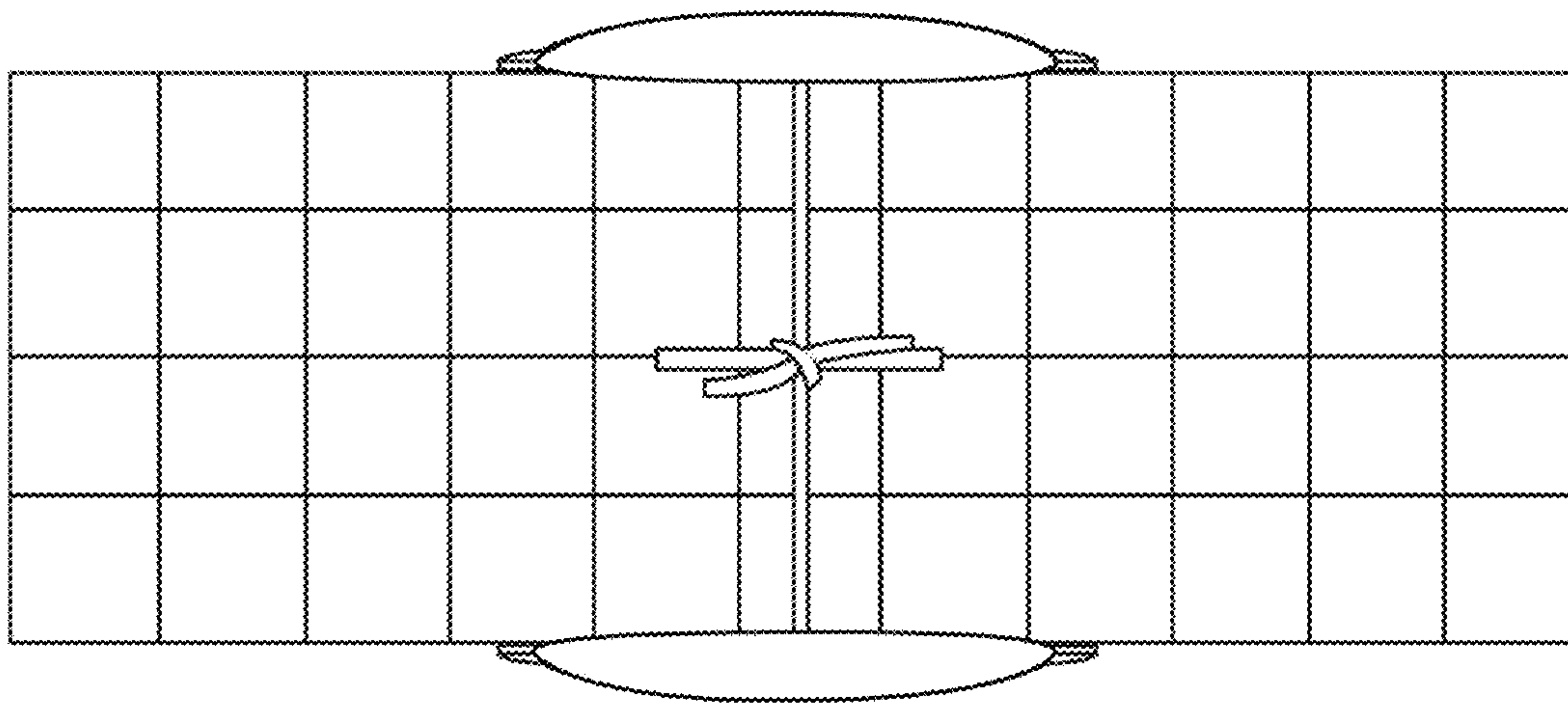


FIG. 6

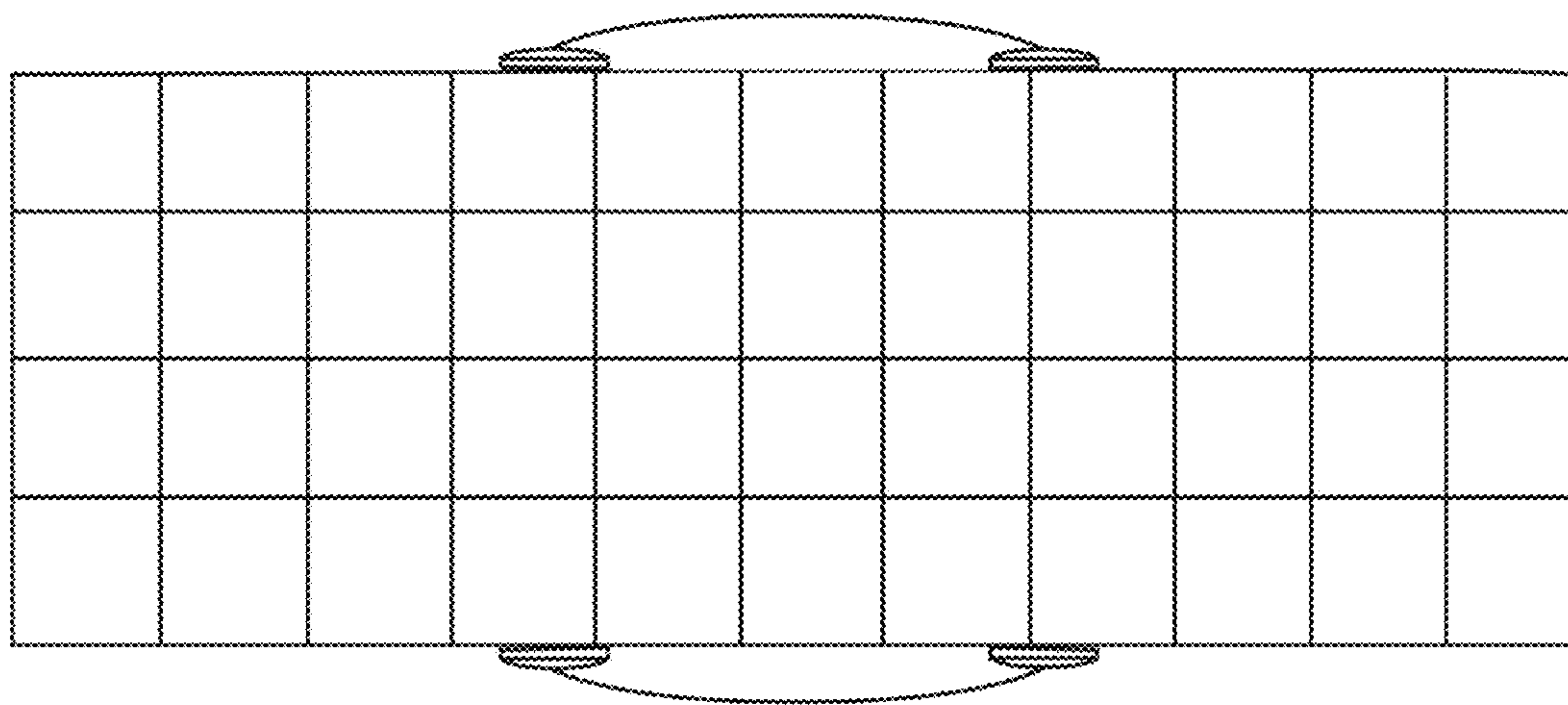


FIG. 7