



US00D901889S

(12) **United States Design Patent**
Jacobs

(10) **Patent No.:** **US D901,889 S**

(45) **Date of Patent:** **** Nov. 17, 2020**

(54) **HANDBAG**

(71) Applicant: **Marc Jacobs Trademarks, LLC**, New York, NY (US)

(72) Inventor: **Marc Jacobs**, New York, NY (US)

(73) Assignee: **MARC JACOBS TRADEMARKS, LLC**, New York, NY (US)

(**) Term: **15 Years**

(21) Appl. No.: **29/692,871**

(22) Filed: **May 29, 2019**

(51) **LOC (12) Cl.** **03-01**

(52) **U.S. Cl.**
USPC **D3/245**

(58) **Field of Classification Search**
USPC D3/232-233, 240-243, 245-246
CPC A45C 1/024; A45C 3/06
See application file for complete search history.

(56) **References Cited**

U.S. PATENT DOCUMENTS

D69,837 S *	4/1926	Kasdan et al.	D3/241
D381,506 S *	7/1997	Roeder	D3/245
D661,894 S *	6/2012	Sassi	D3/245
D685,574 S *	7/2013	Swingler	D3/245
D783,279 S *	4/2017	Sassi	D3/245
D811,735 S *	3/2018	Molnar	D3/233
D847,500 S *	5/2019	Lagerfeld	D3/245

OTHER PUBLICATIONS

Marc Jacobs camera bag, online catalog, Mar. 31, 2019 https://www.marcjacobs.com/bags/?from=Top_Navigation&lcat=L1 (Year: 2019).*

The Snapshot DTM Metallic Small Camera Bag, published Sep. 2015, https://www.marcjacobs.com/the-snapshot-dtm-metallic/M0015323.html?dwvar_M0015323_color=040, 4 sheets.

* cited by examiner

Primary Examiner — Holly H Baynham

(74) *Attorney, Agent, or Firm* — Katten Muchin Rosenman LLP

(57) **CLAIM**

The ornamental design for a handbag, as shown and described.

DESCRIPTION

FIG. 1 is a front perspective view of a first embodiment of the handbag.

FIG. 2 is a front view of the handbag of FIG. 1.

FIG. 3 is a rear view of the handbag of FIG. 1.

FIG. 4 is a left side view of the handbag of FIG. 1.

FIG. 5 is a right side view of the handbag of FIG. 1.

FIG. 6 is a top view of the handbag of FIG. 1.

FIG. 7 is a bottom view of the handbag of FIG. 1.

FIG. 8 is a front perspective view of a second embodiment of the handbag.

FIG. 9 is a front view of the handbag of FIG. 8.

FIG. 10 is a rear view of the handbag of FIG. 8.

FIG. 11 is a left side view of the handbag of FIG. 8.

FIG. 12 is a right side view of the handbag of FIG. 8.

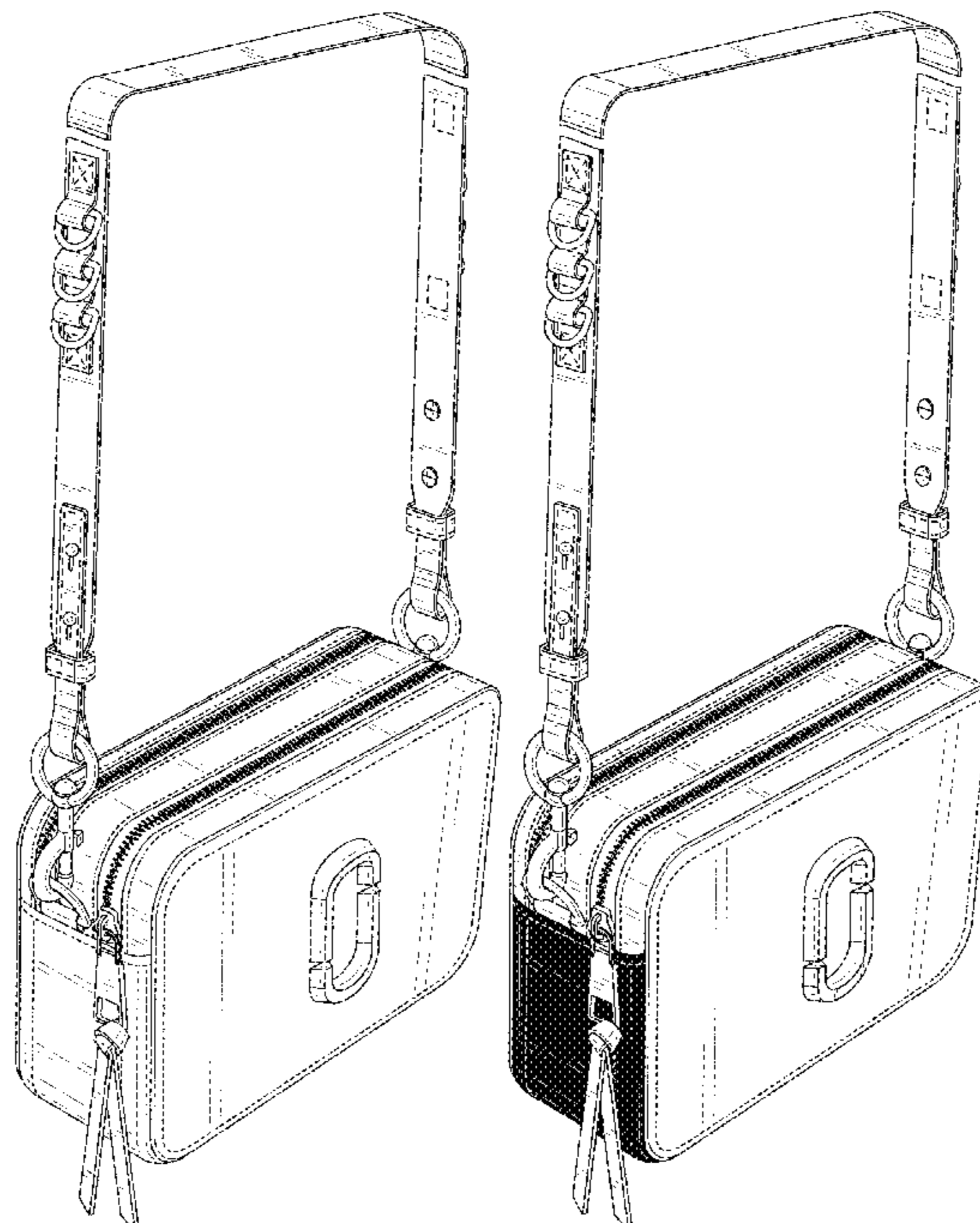
FIG. 13 is a top view of the handbag of FIG. 8; and,

FIG. 14 is a bottom view of the handbag of FIG. 8.

The broken lines in the drawings represent stitching and form no part of the claimed design.

The solid black shading on the views of FIGS. 8-14 represents the color black.

1 Claim, 14 Drawing Sheets



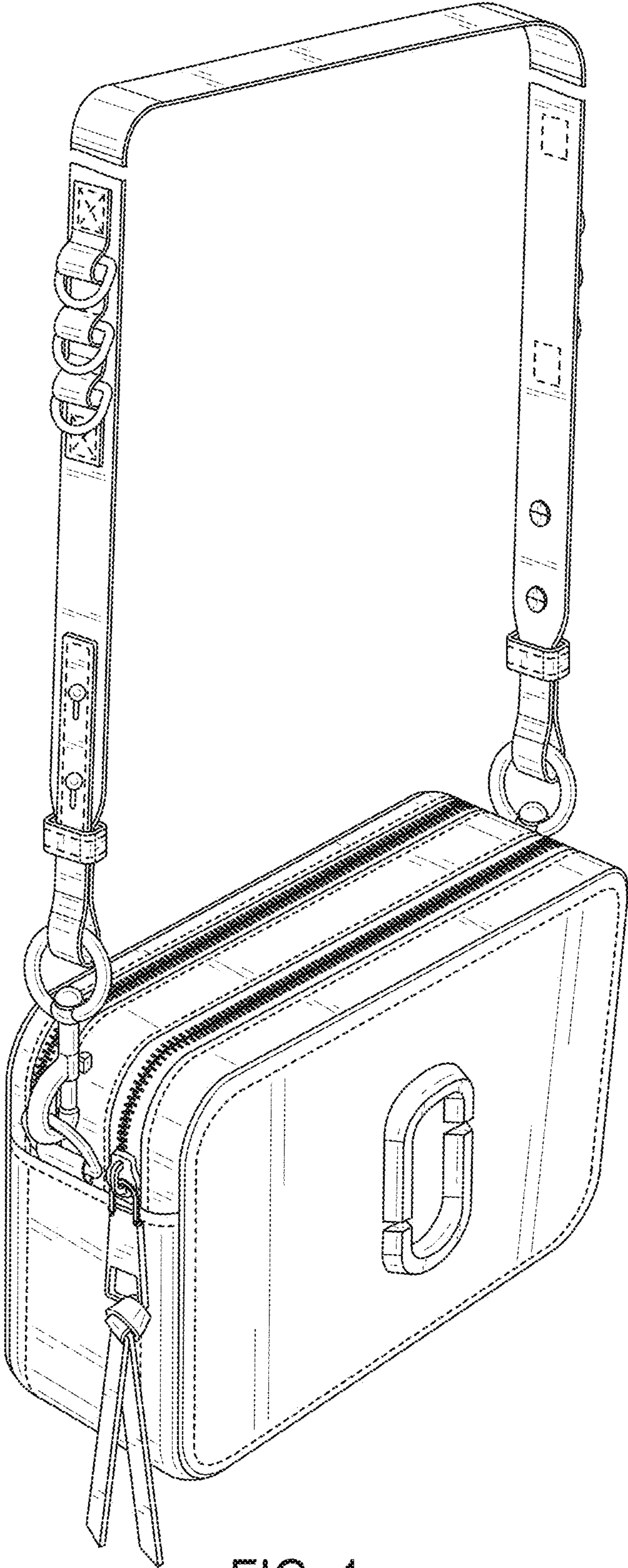


FIG. 1

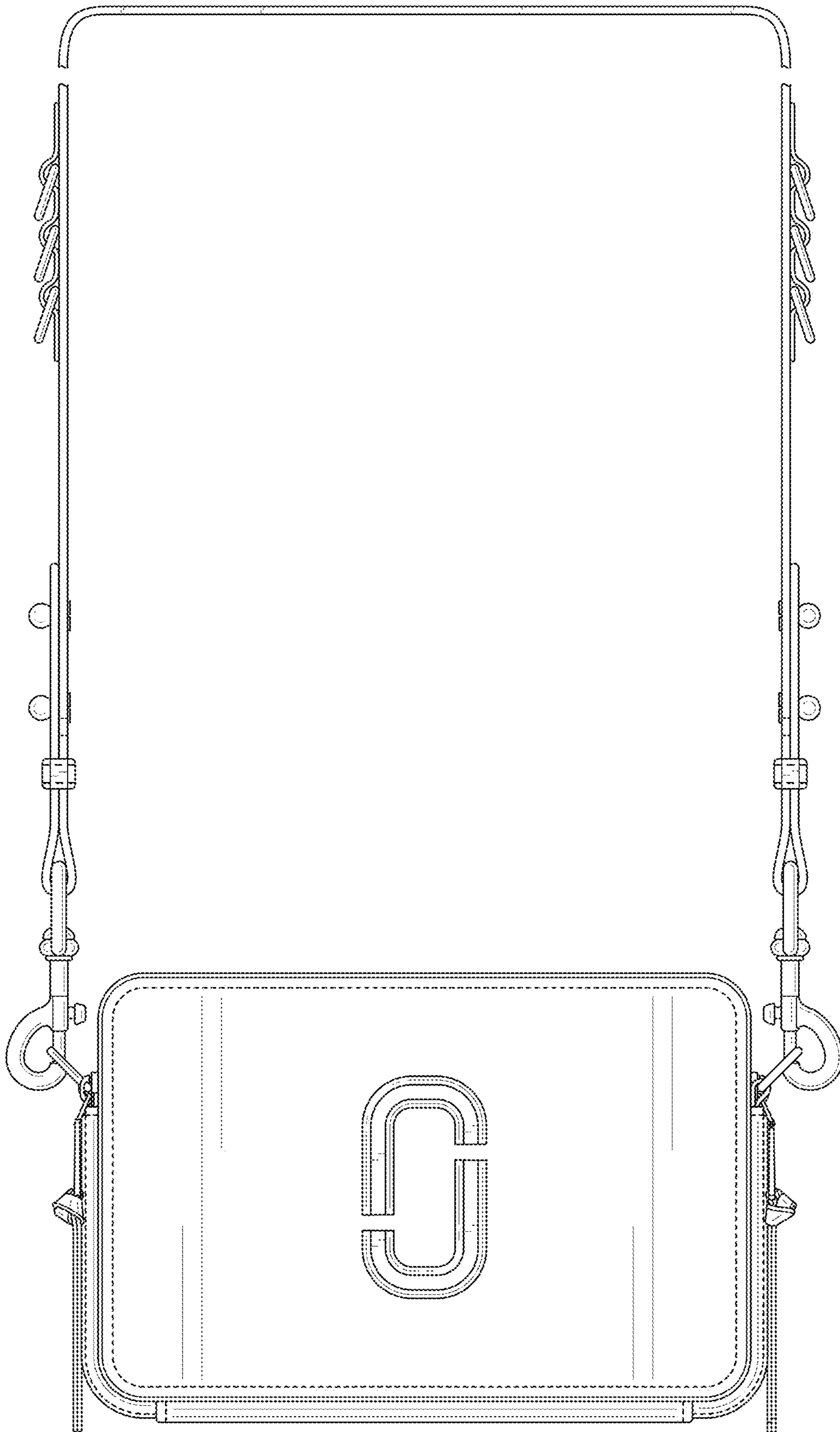


FIG. 2

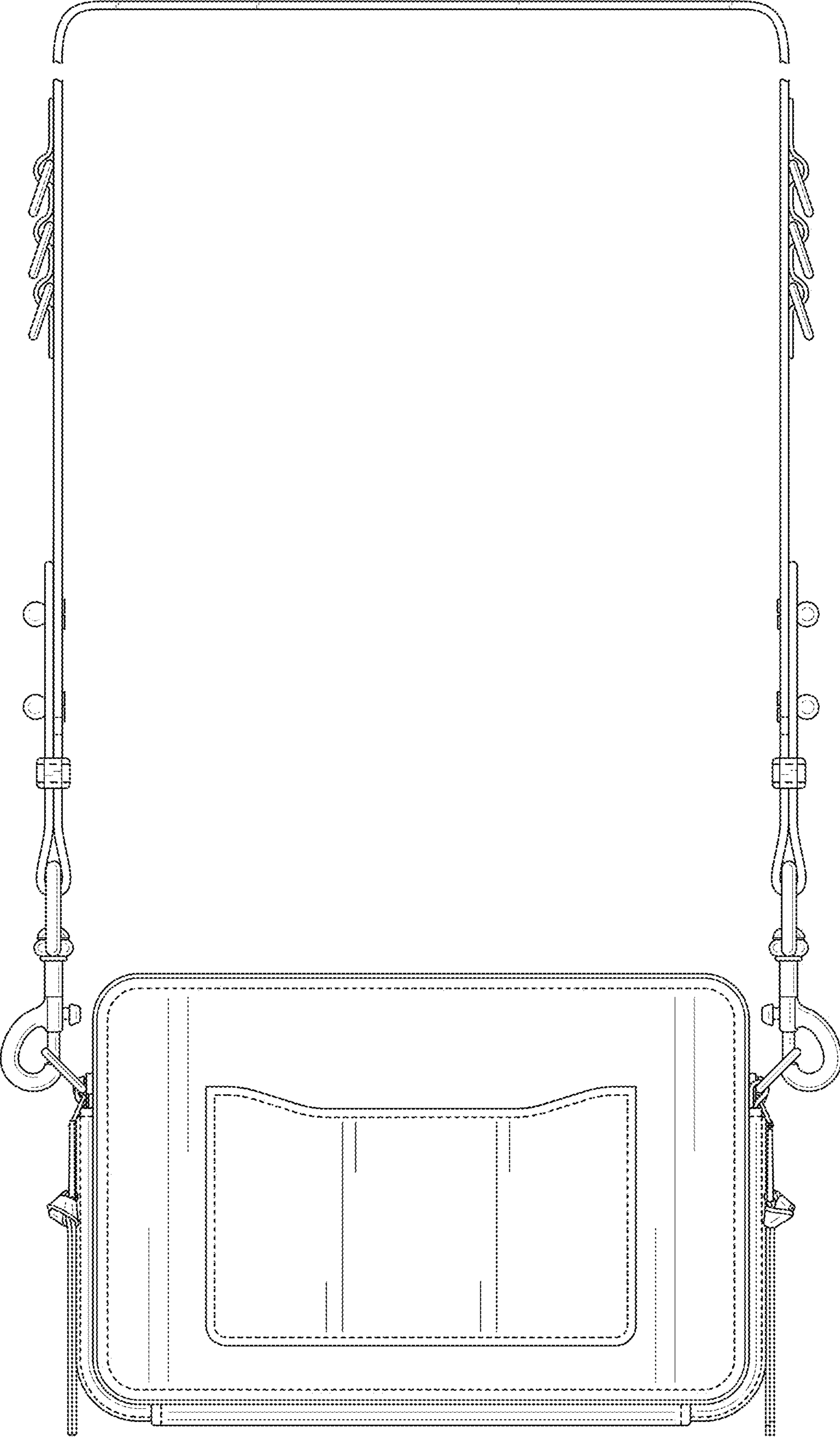


FIG. 3

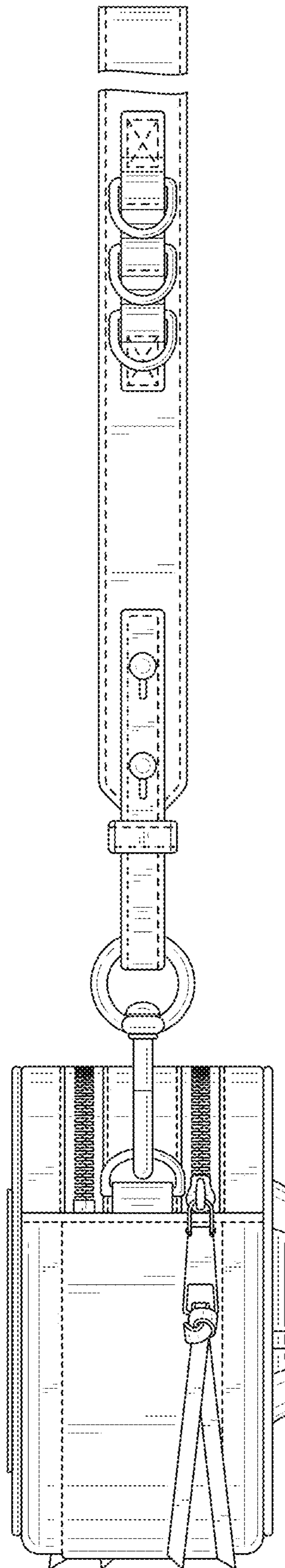


FIG. 4

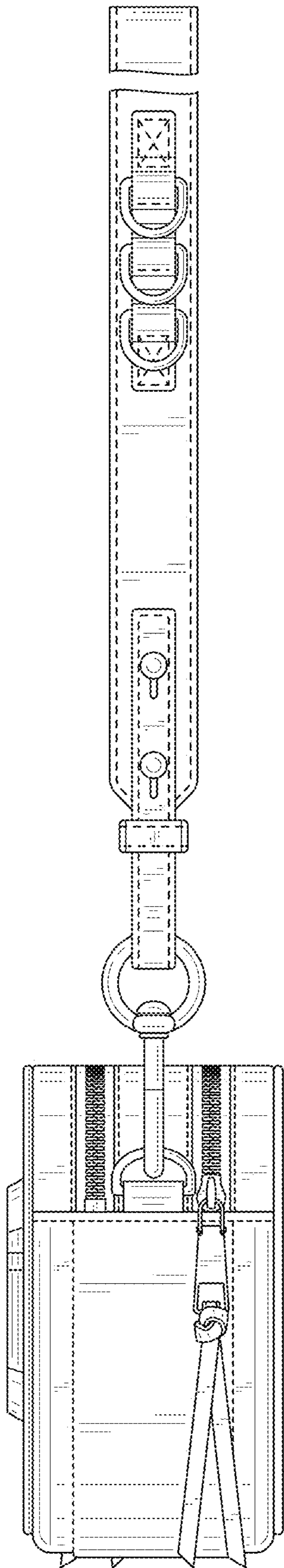


FIG. 5

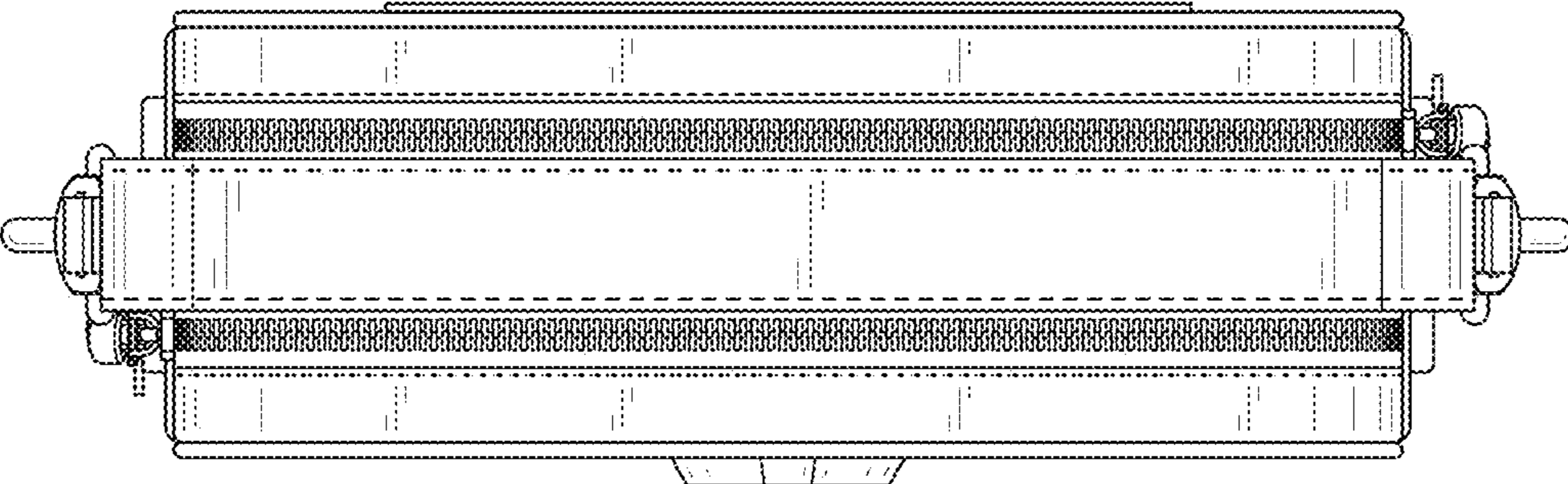


FIG. 6

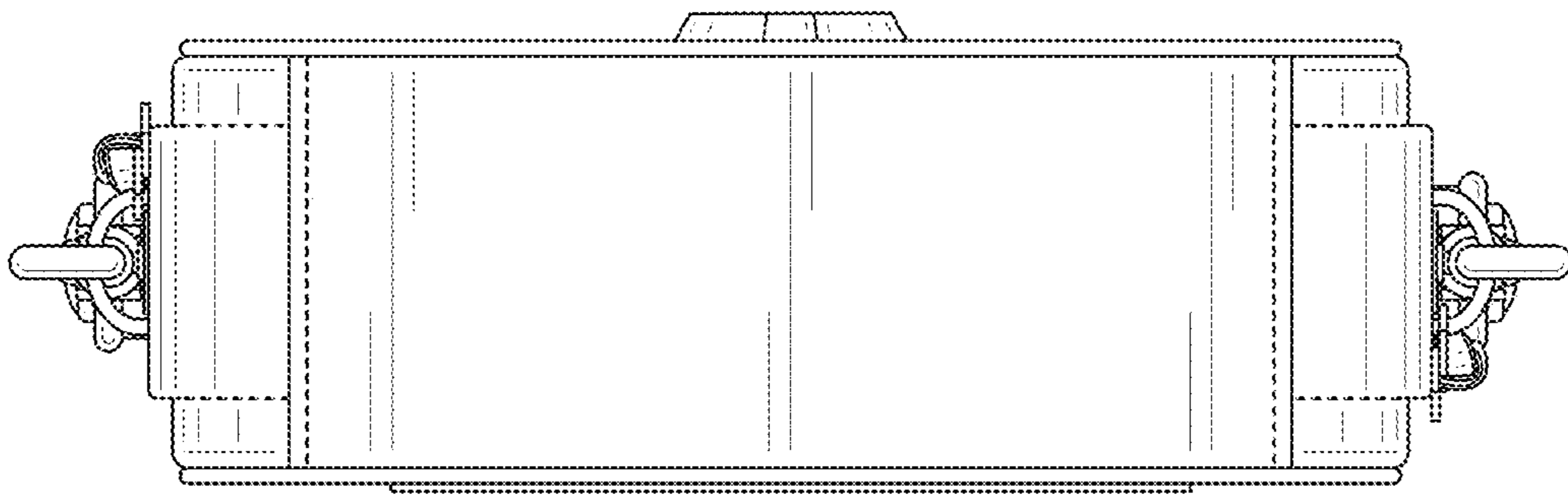


FIG. 7

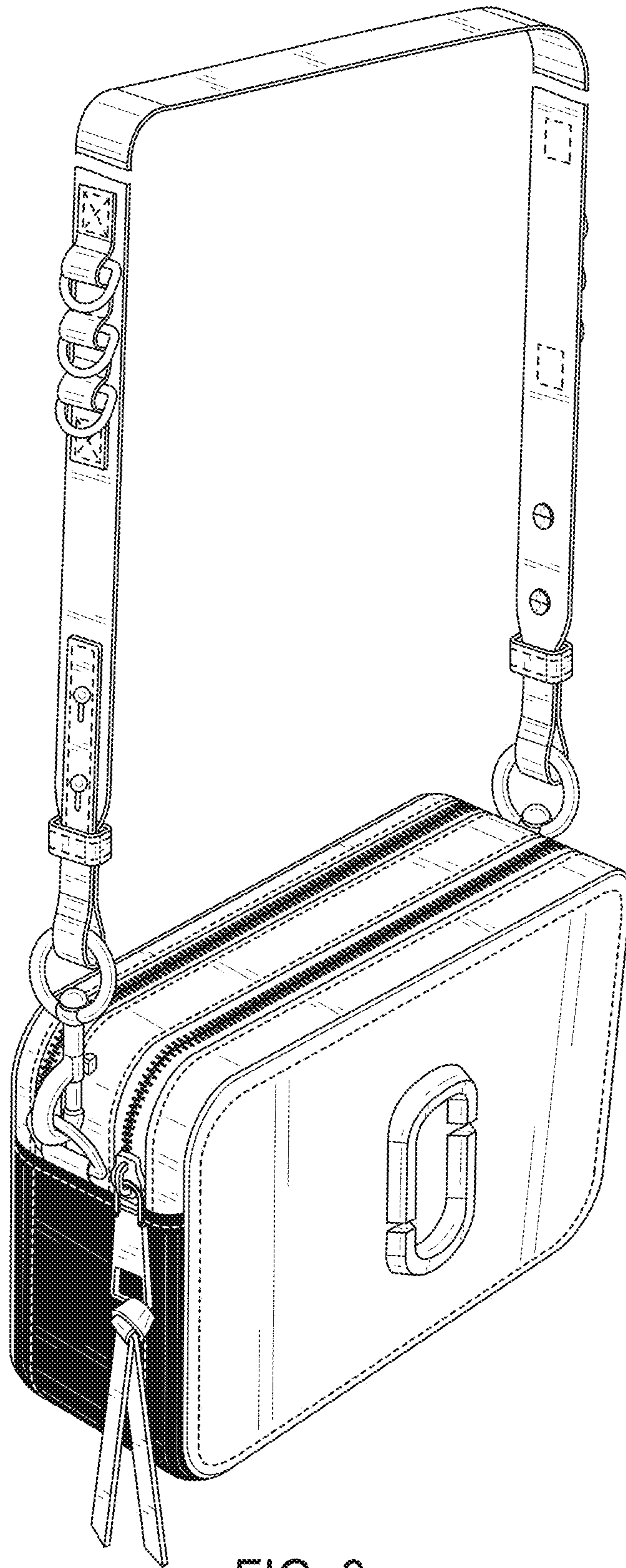


FIG. 8

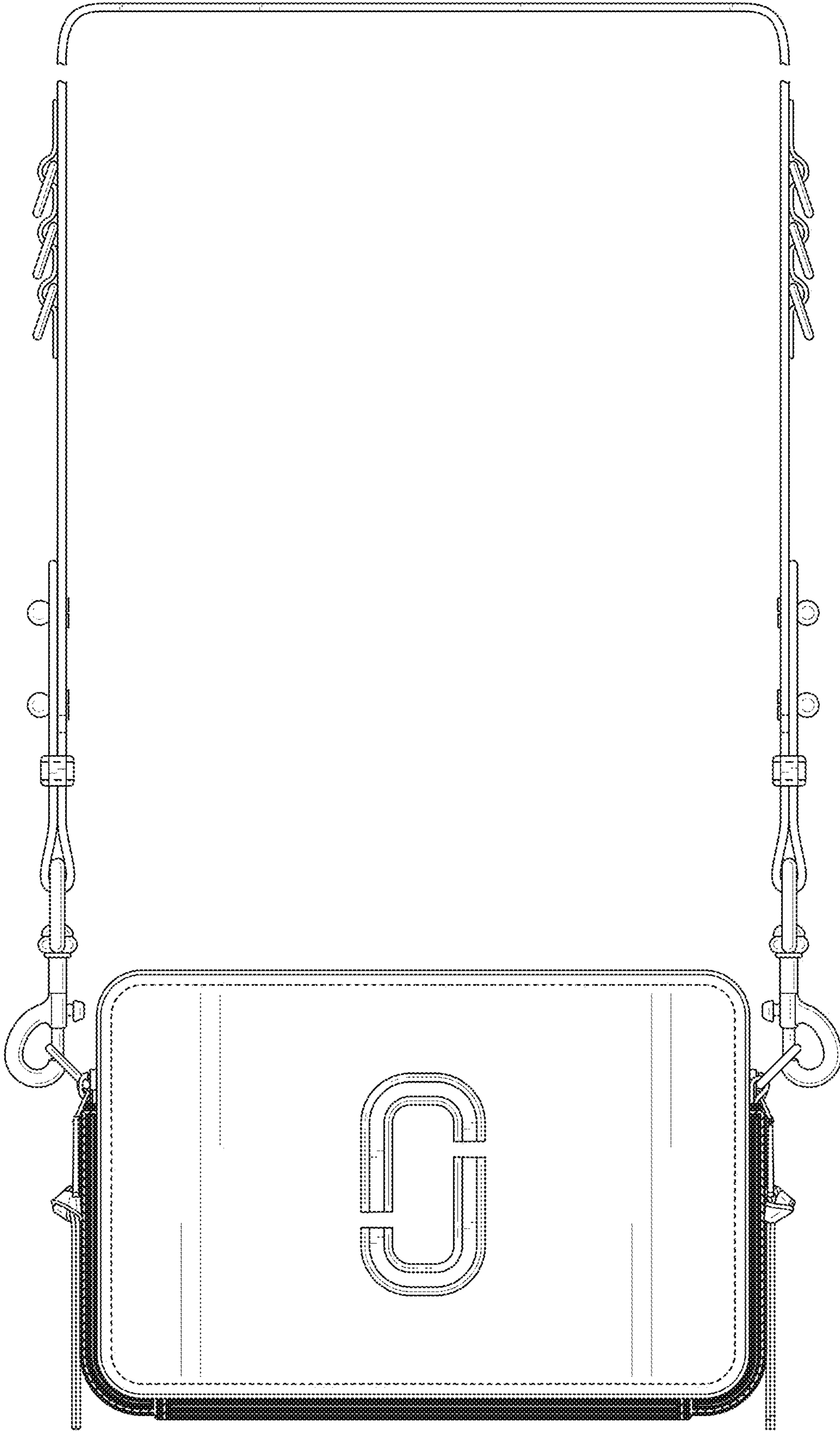


FIG. 9

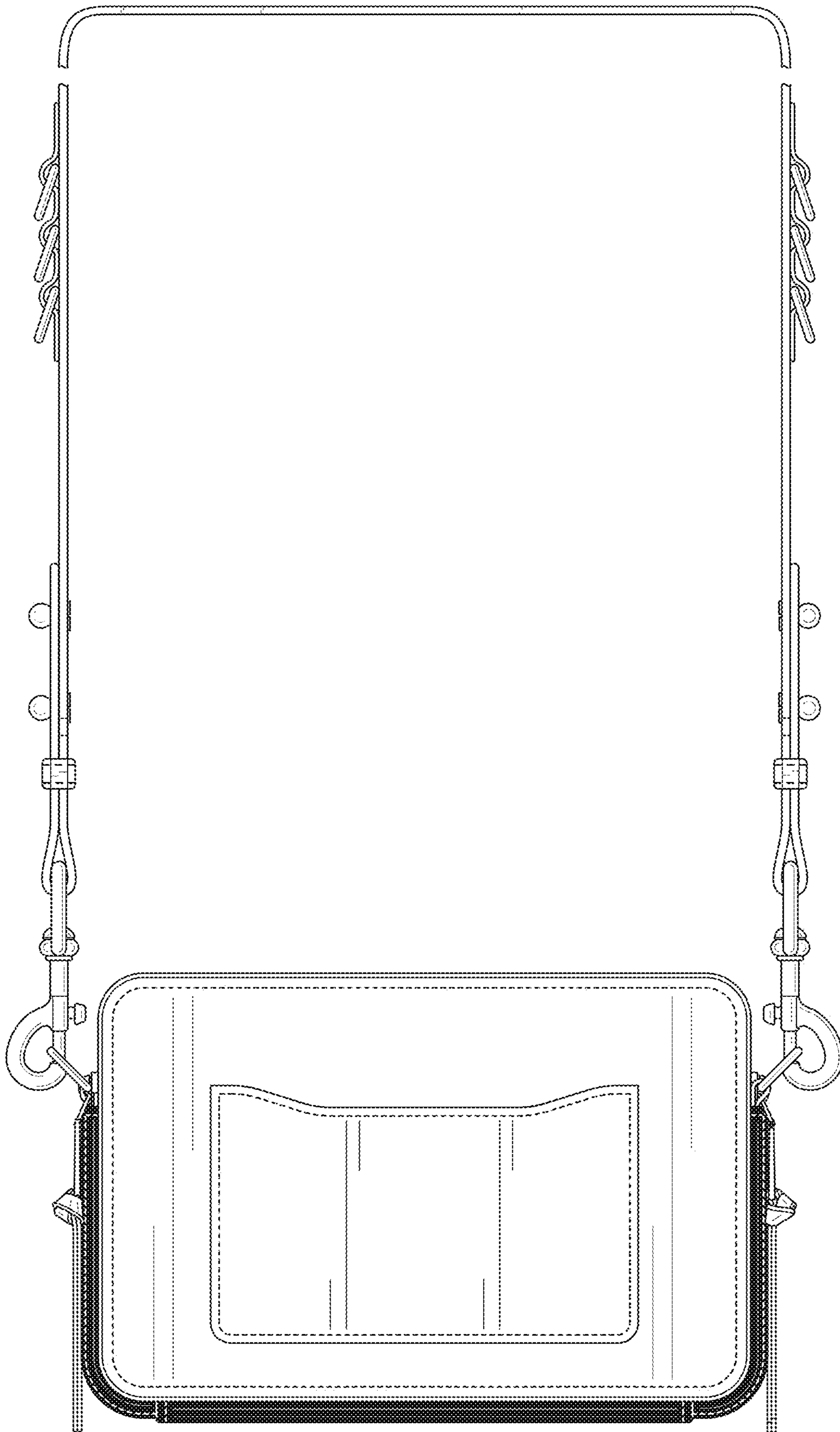


FIG. 10

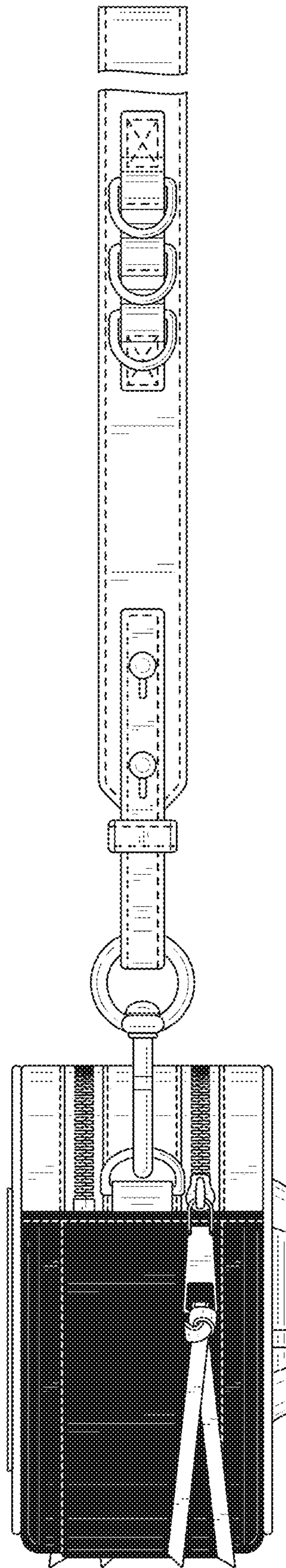


FIG. 11

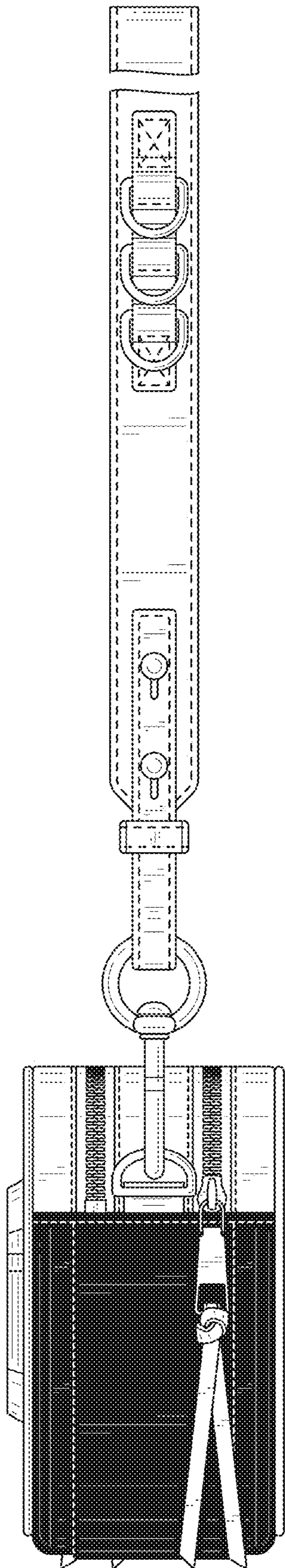


FIG. 12

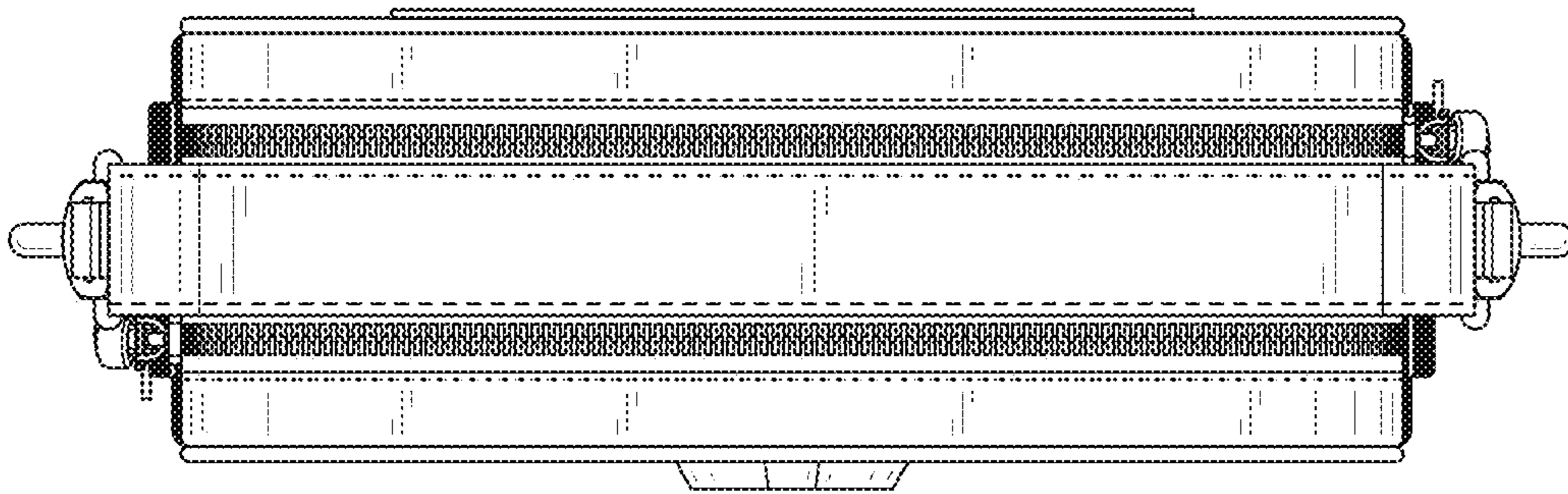


FIG. 13

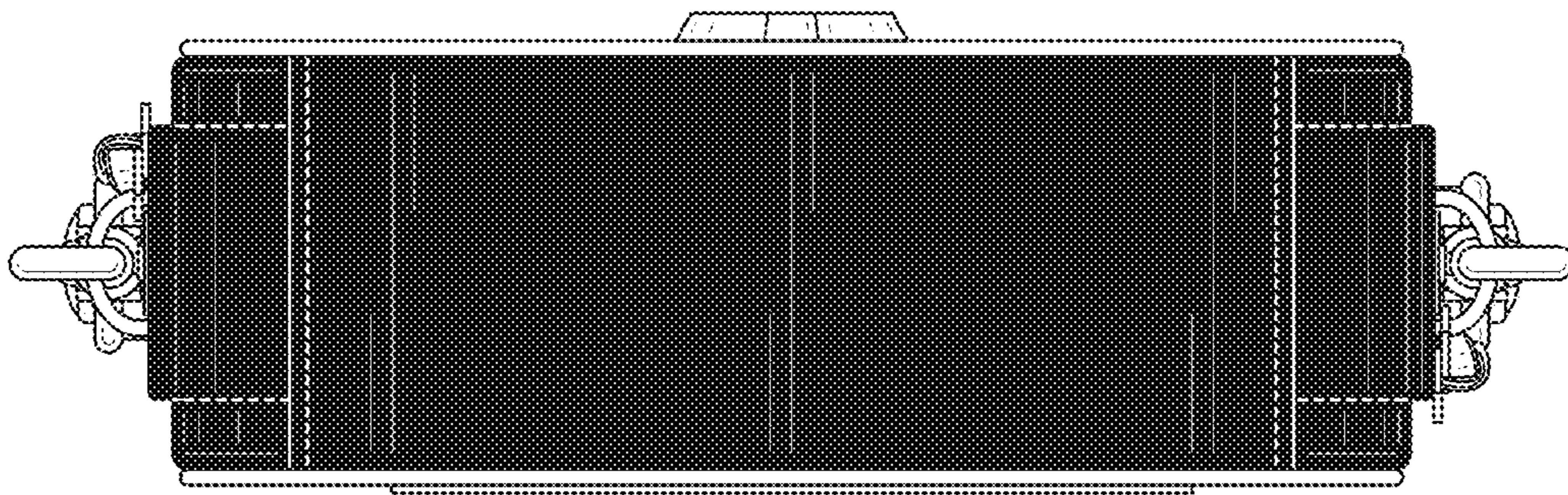


FIG. 14