



US00D901882S

(12) **United States Design Patent** (10) **Patent No.:** **US D901,882 S**
Tan (45) **Date of Patent:** **** Nov. 17, 2020**

(54) **SLING BAG**

Primary Examiner — Holly H Baynham

(71) Applicant: **Thousand Oaks Corp.**, Irwindale, CA (US)

(74) *Attorney, Agent, or Firm* — J. Andrew Reed; Carstens & Cahoon, LLP

(72) Inventor: **Roger Tan**, Chino, CA (US)

(57) **CLAIM**

(73) Assignee: **Thousand Oaks Corp.**, Irwindale, CA (US)

The ornamental design for a sling bag, as shown and described.

(**) Term: **15 Years**

DESCRIPTION

(21) Appl. No.: **29/697,568**

(22) Filed: **Jul. 9, 2019**

(51) **LOC (12) Cl.** **03-01**

(52) **U.S. Cl.**
USPC **D3/232**

(58) **Field of Classification Search**
USPC D3/232–233, 240–243, 245–246
CPC A45C 1/024; A45C 3/08; A45C 3/06
See application file for complete search history.

FIG. 1 is a front elevation view of the sling bag;
FIG. 2 is a rear elevation view of the sling bag;
FIG. 3 is a left side elevation view of the sling bag;
FIG. 4 is a right side elevation view of the sling bag;
FIG. 5 is a top view of the sling bag;
FIG. 6 is a bottom view of the sling bag;
FIG. 7 is a left side perspective view of the sling bag;
FIG. 8 is a right side perspective view of the sling bag;
FIG. 9 is a front perspective small interior view of the sling bag; and,
FIG. 10 is a front perspective large interior view of the sling bag.
The various components shown in broken line illustrations are shown in broken lines for illustrative purposes only and form no part of the claimed design.

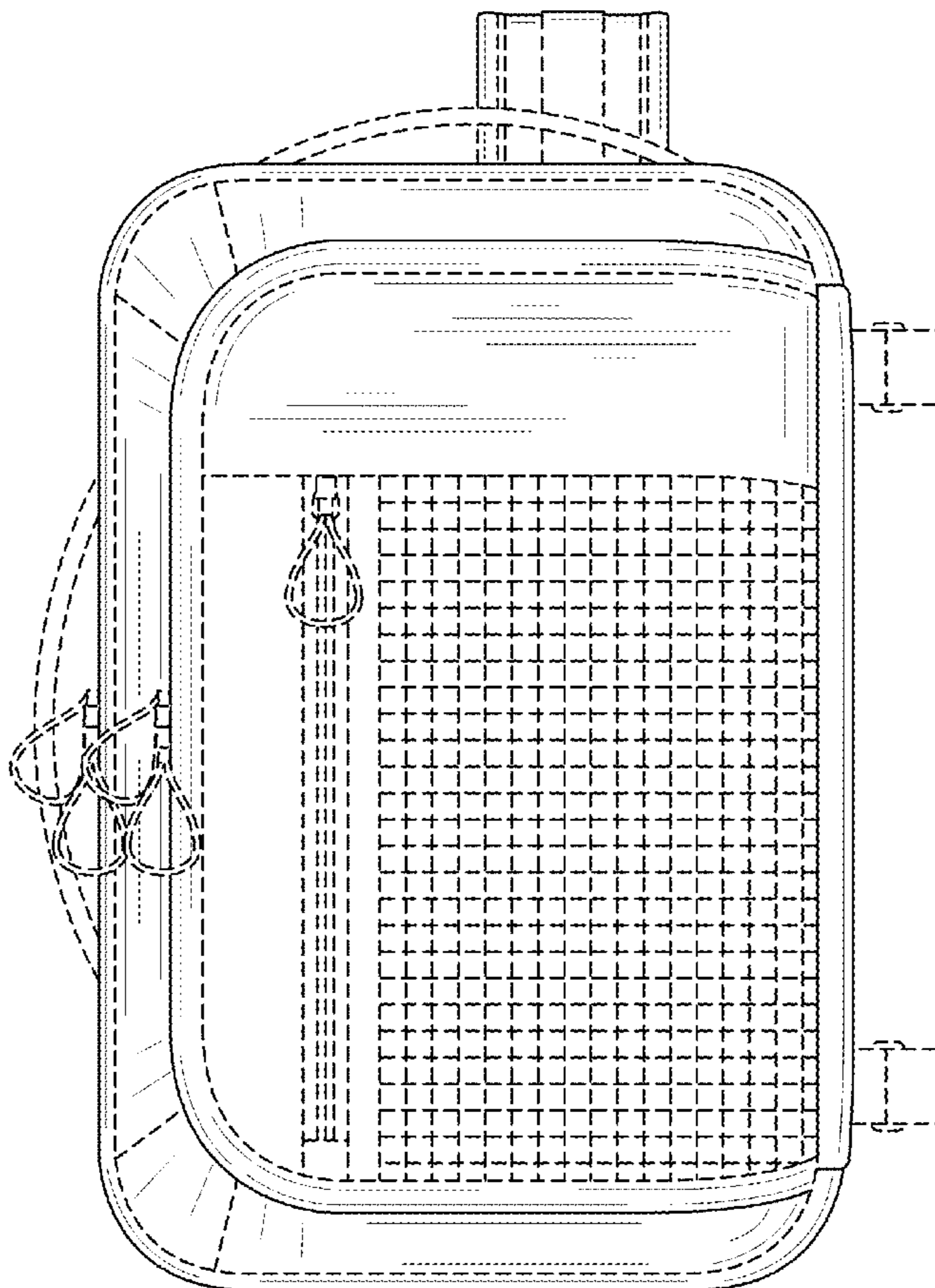
(56) **References Cited**

U.S. PATENT DOCUMENTS

D528,295 S * 9/2006 Harvey D3/252
D676,652 S * 2/2013 Holloway D3/232

* cited by examiner

1 Claim, 9 Drawing Sheets



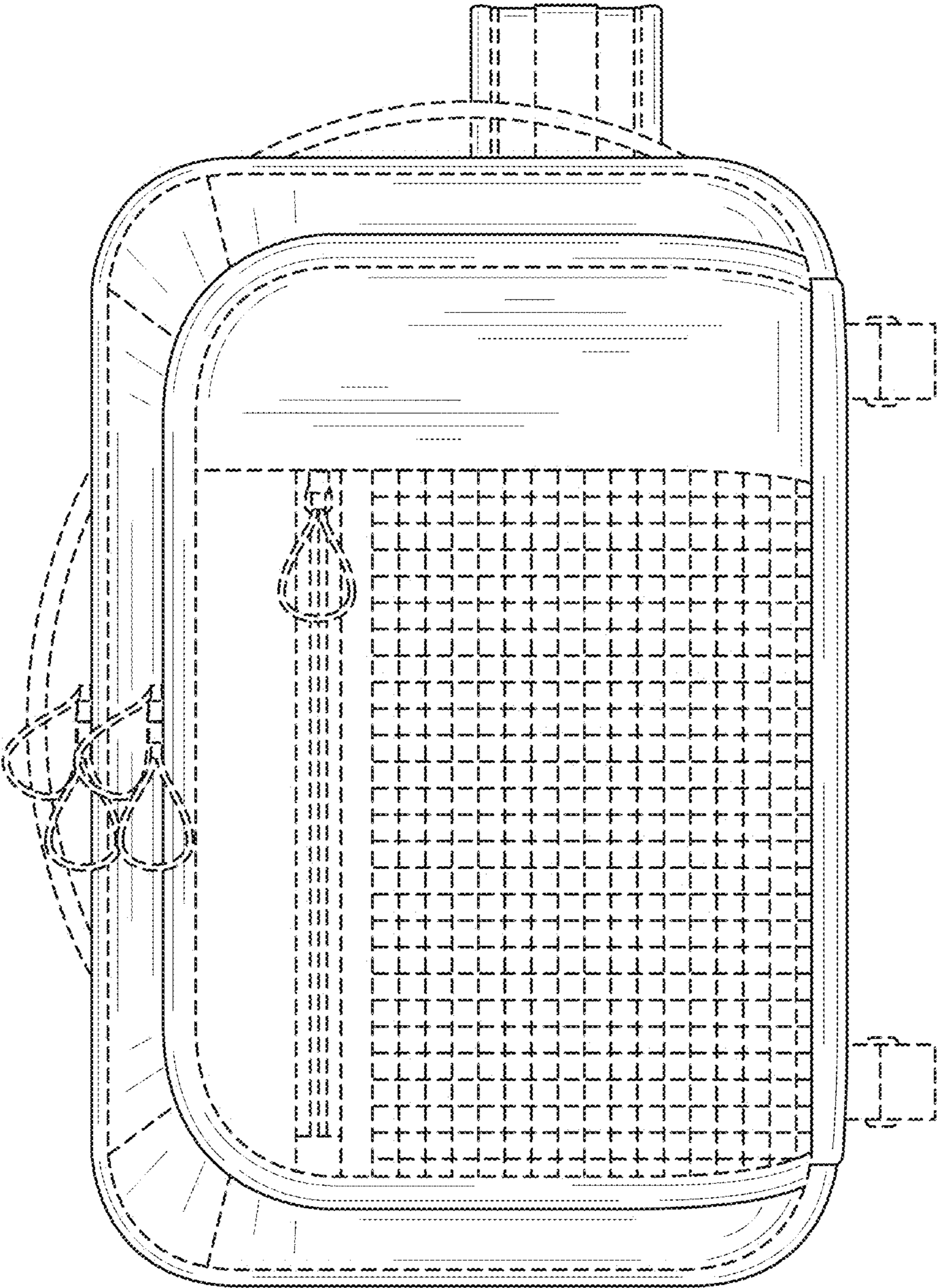


FIG. 1

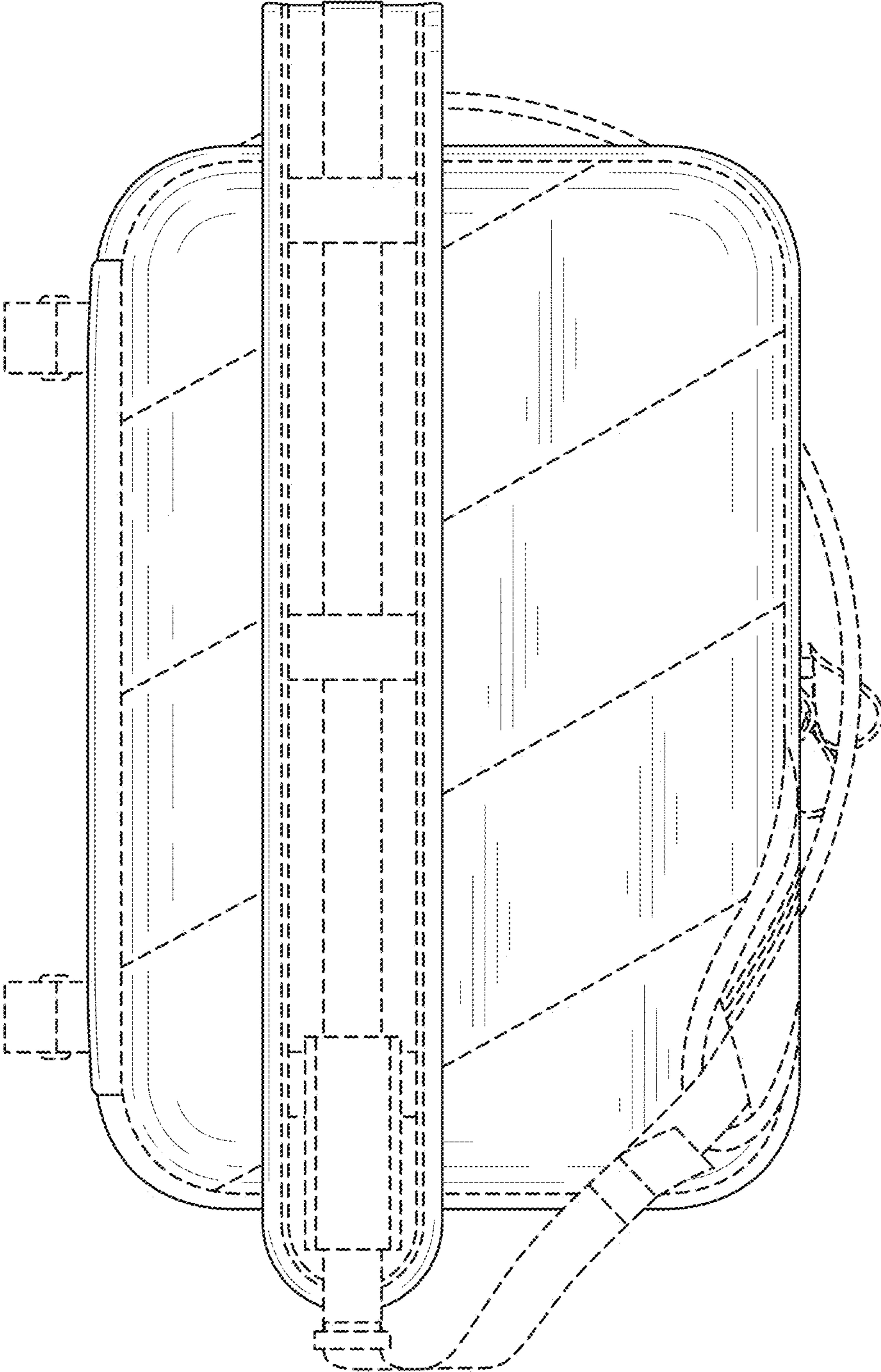


FIG. 2

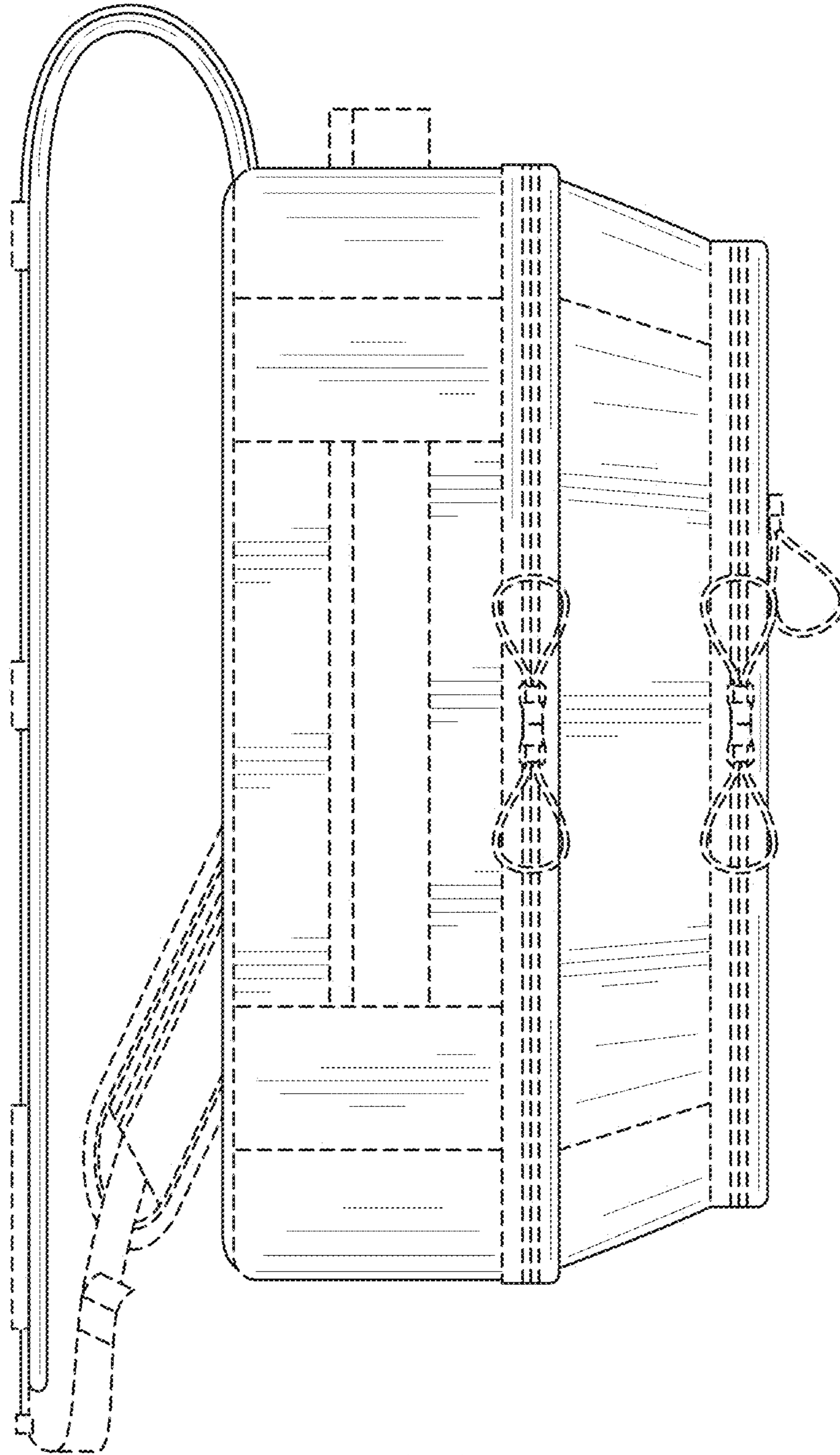


FIG. 3

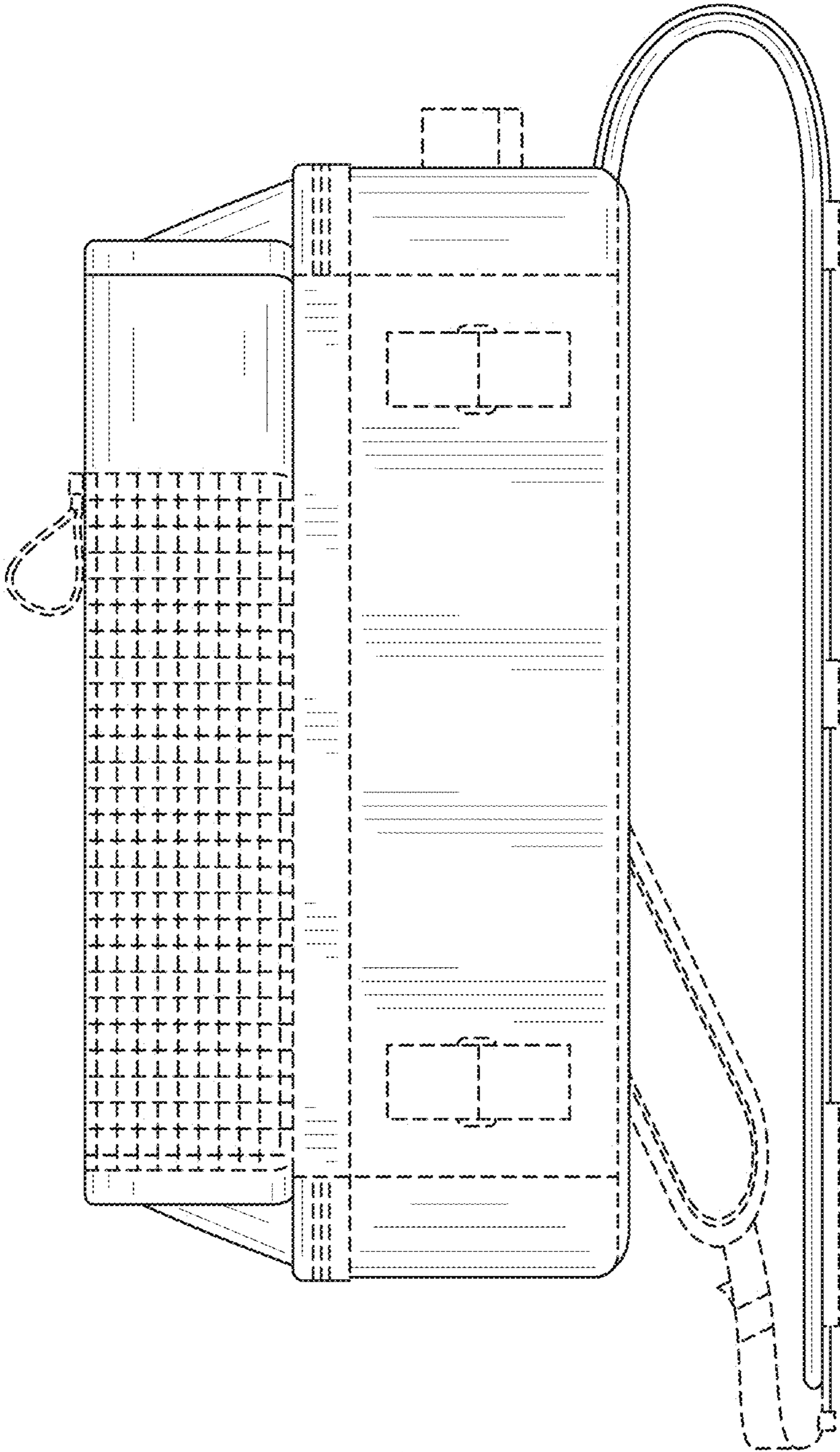


FIG. 4

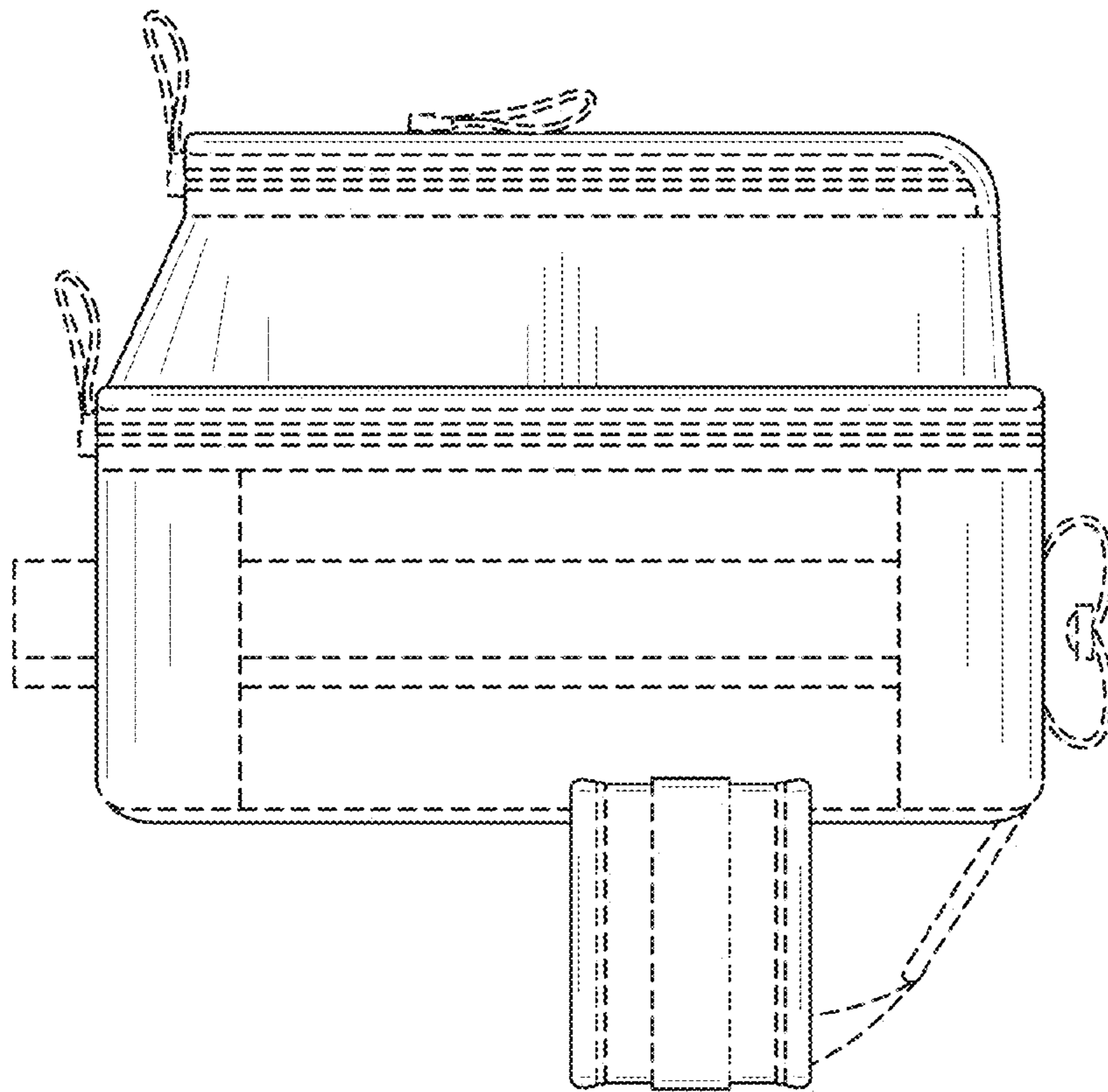


FIG. 5

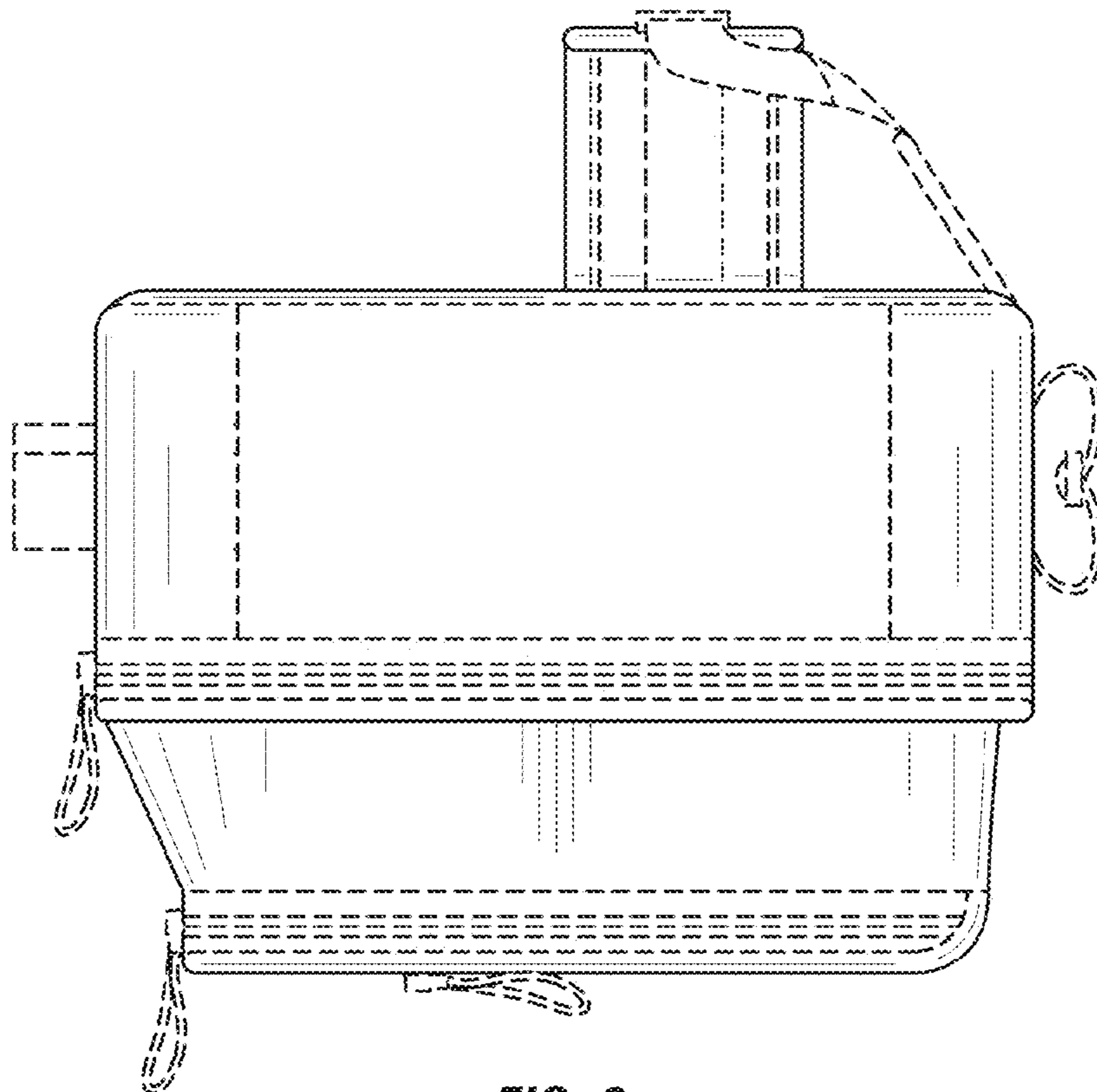


FIG. 6

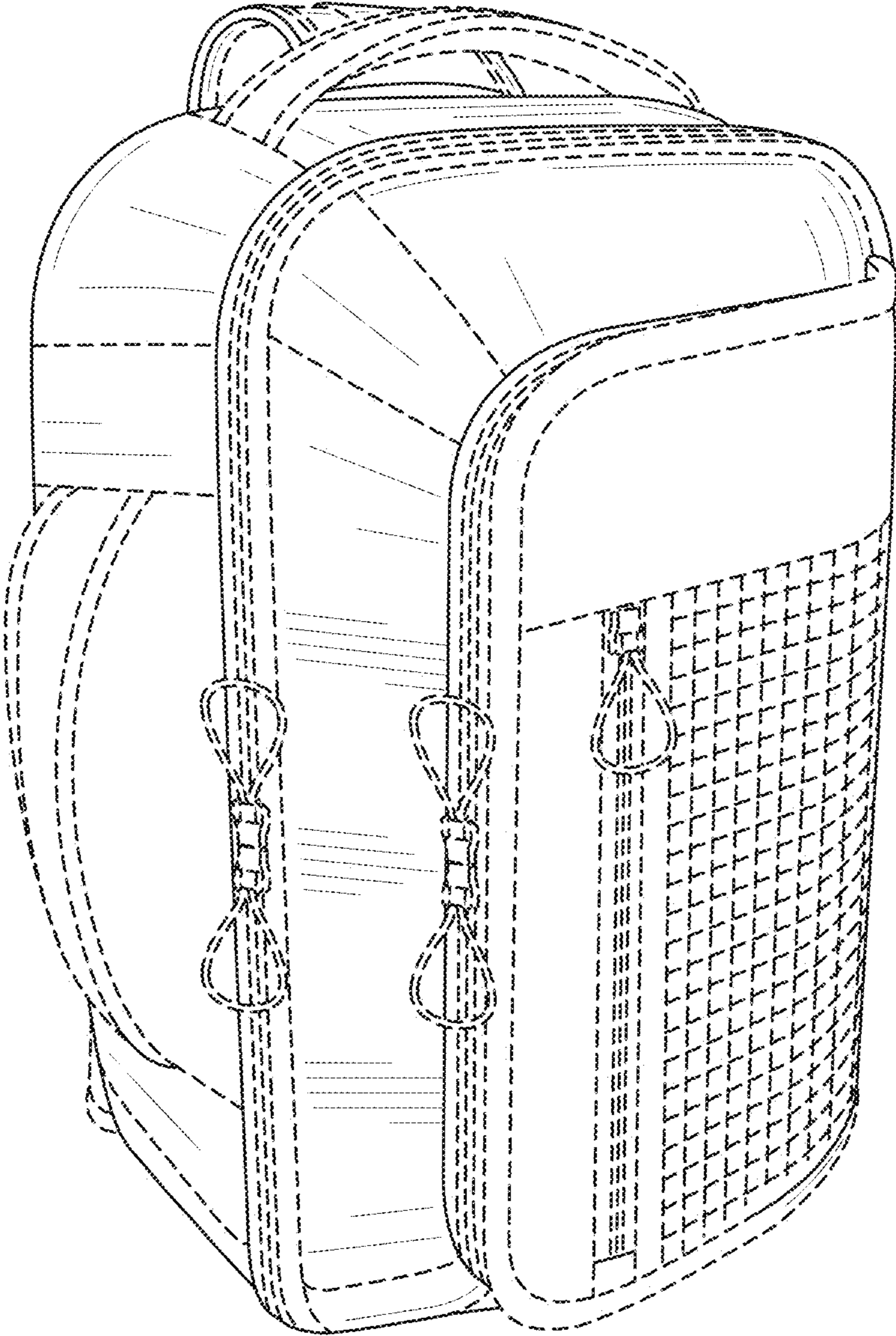


FIG. 7

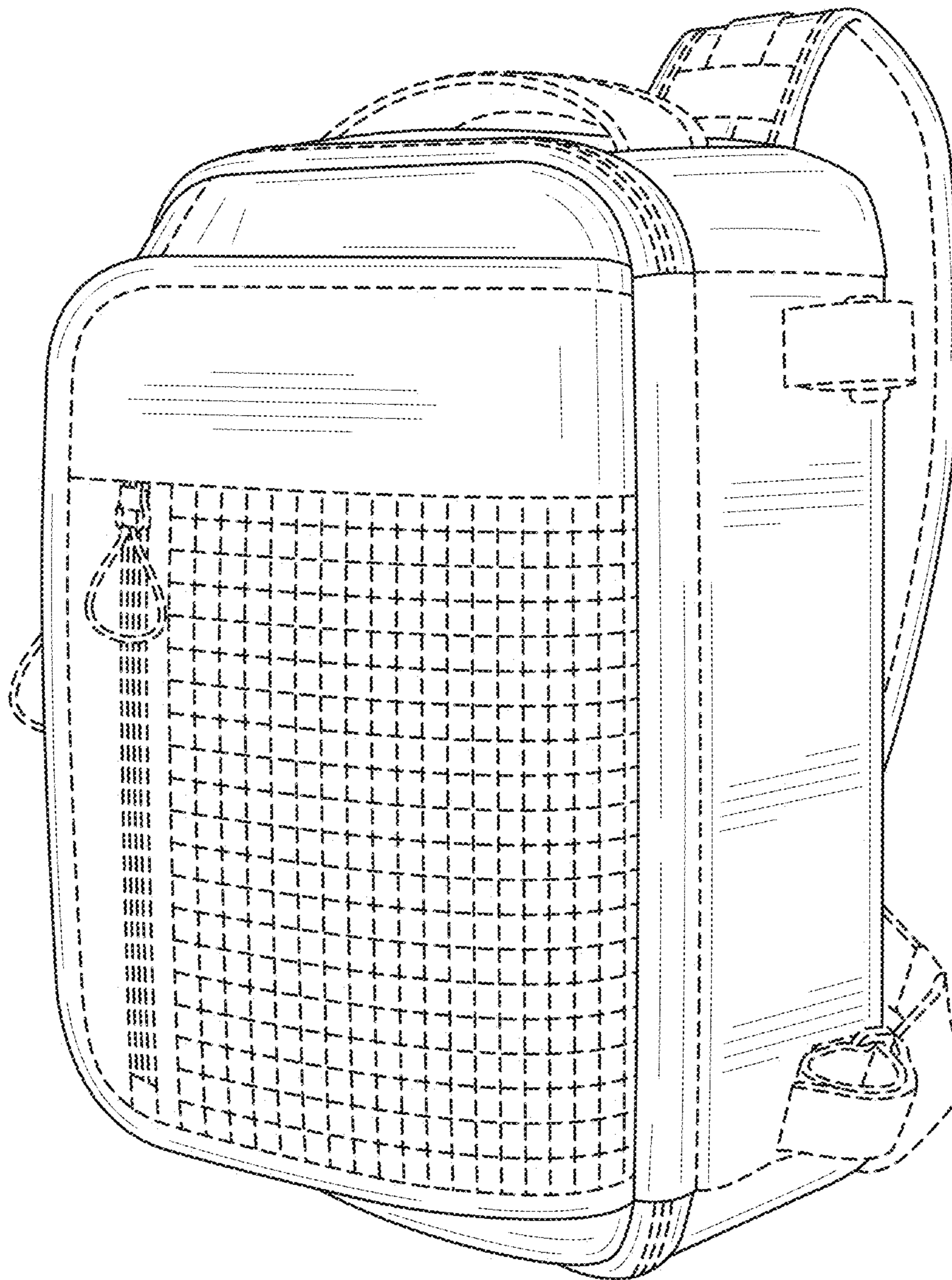


FIG. 8

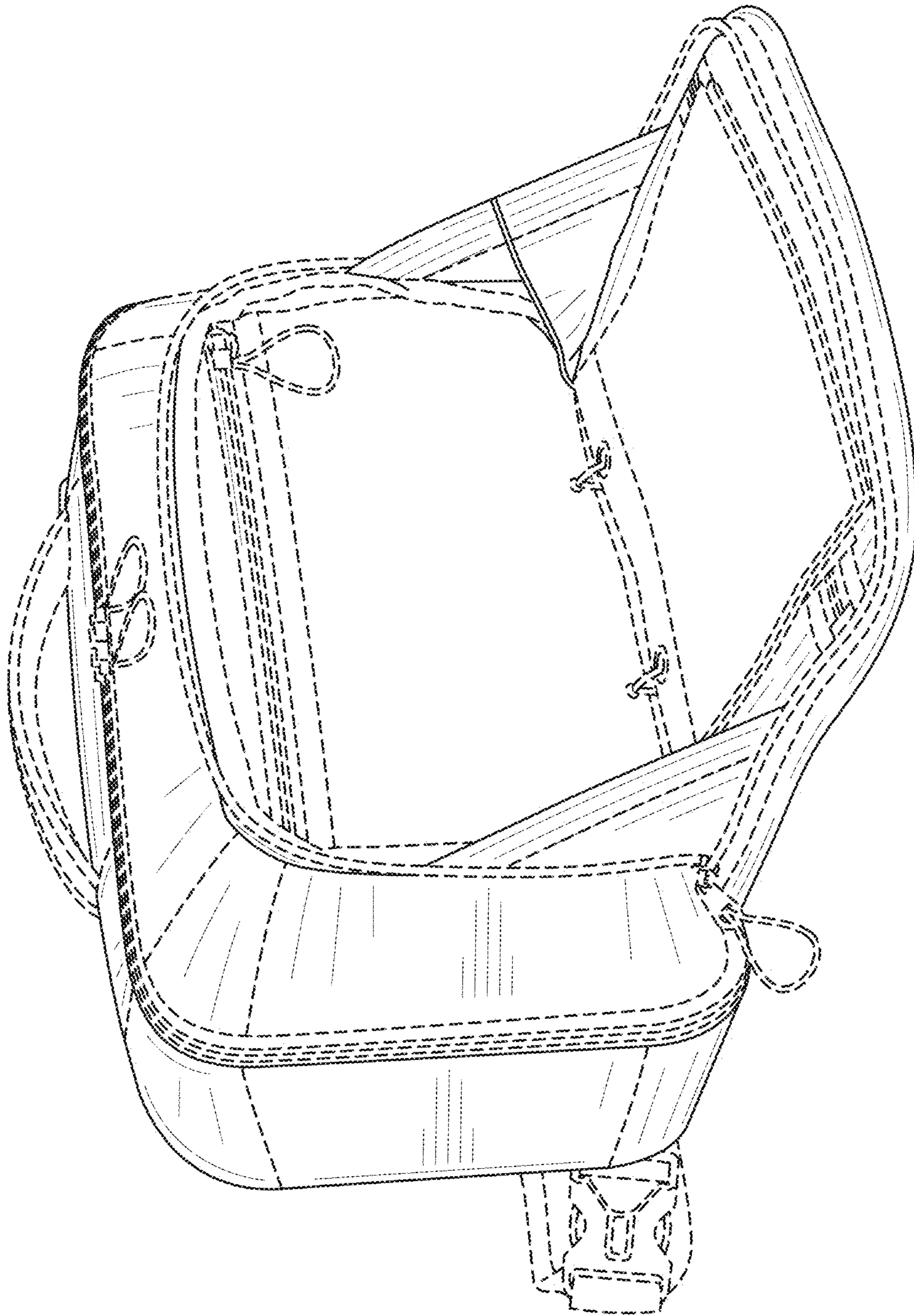


FIG. 9

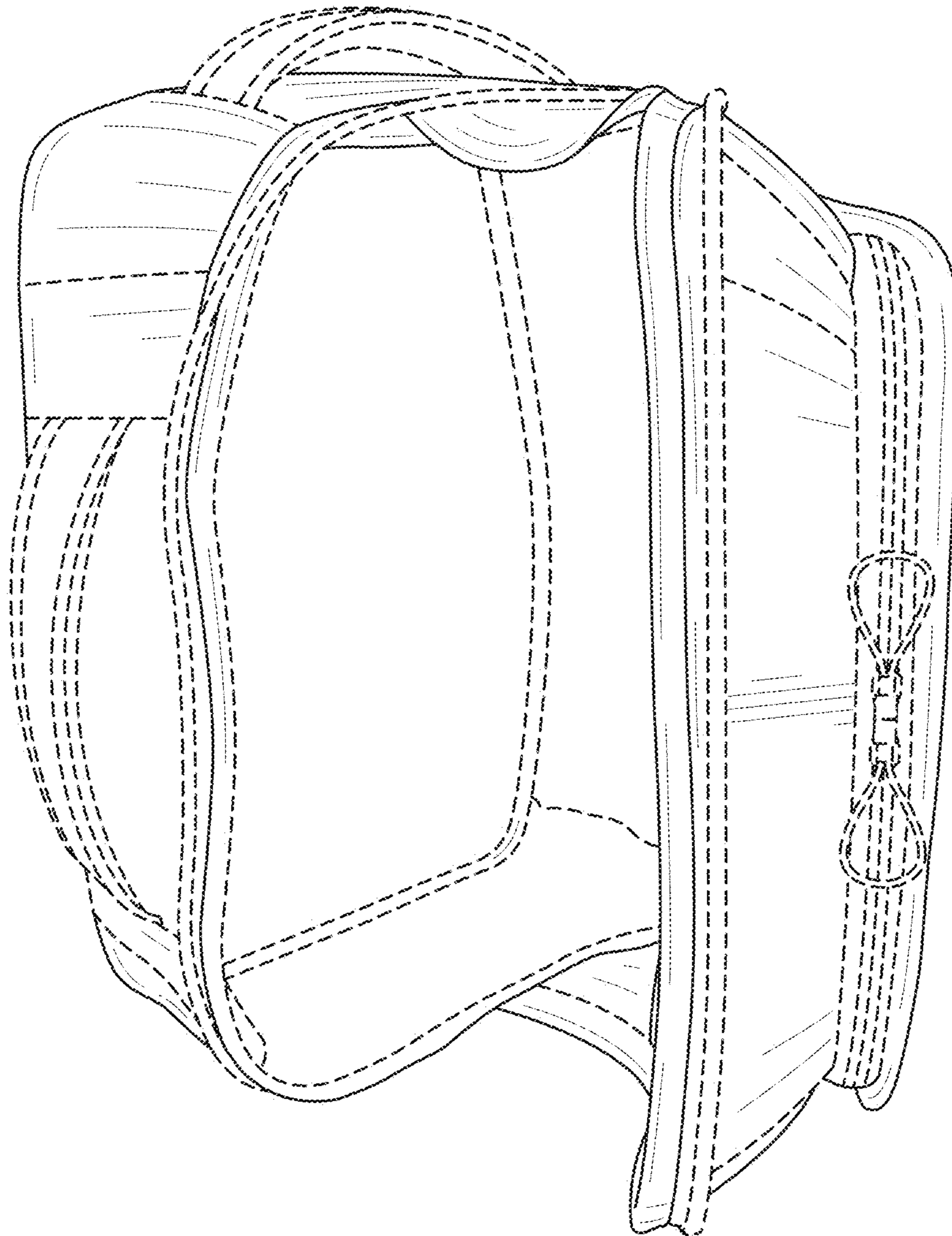


FIG. 10