



US00D901881S

(12) **United States Design Patent** (10) **Patent No.:** **US D901,881 S**
Yan (45) **Date of Patent:** **** Nov. 17, 2020**

(54) **MOLLE POUCH**
(71) Applicant: **Riqin Yan**, Guangzhou (CN)
(72) Inventor: **Riqin Yan**, Guangzhou (CN)

2010/0176173 A1* 7/2010 Felts F42B 39/02
224/665
2012/0091173 A1* 4/2012 Crye F42B 39/02
224/196
2016/0003598 A1* 1/2016 Gadams F42B 39/02
224/191

(**) Term: **15 Years**

OTHER PUBLICATIONS

(21) Appl. No.: **29/706,928**

Tactical Pouch, Tactical Molle Pouch Belt Waist Fanny Pack Phone Bag Utility Pocket Hiking Camp, Ebay.com 1995-2020.*

(22) Filed: **Sep. 25, 2019**

* cited by examiner

(51) **LOC (12) Cl.** **03-01**

Primary Examiner — Catherine R Oliver-Garcia
(74) *Attorney, Agent, or Firm* — KA Filing LLC; Cynthia Ward Flanigan

(52) **U.S. Cl.**

USPC **D3/226**

(58) **Field of Classification Search**

USPC D3/226, 215, 222, 225, 224, 230;
224/196–198, 238–243, 222, 253, 267,
224/681–682, 901, 901.4, 191–193
CPC ... F42B 39/02; A45C 1/04; A45C 7/00; A45F
5/00; A45F 5/02; A45F 5/021; A45F
2005/008; A45F 2200/0575; A45F
2200/0591

(57) **CLAIM**

I claim the ornamental design for a molle pouch, as shown and described.

See application file for complete search history.

DESCRIPTION

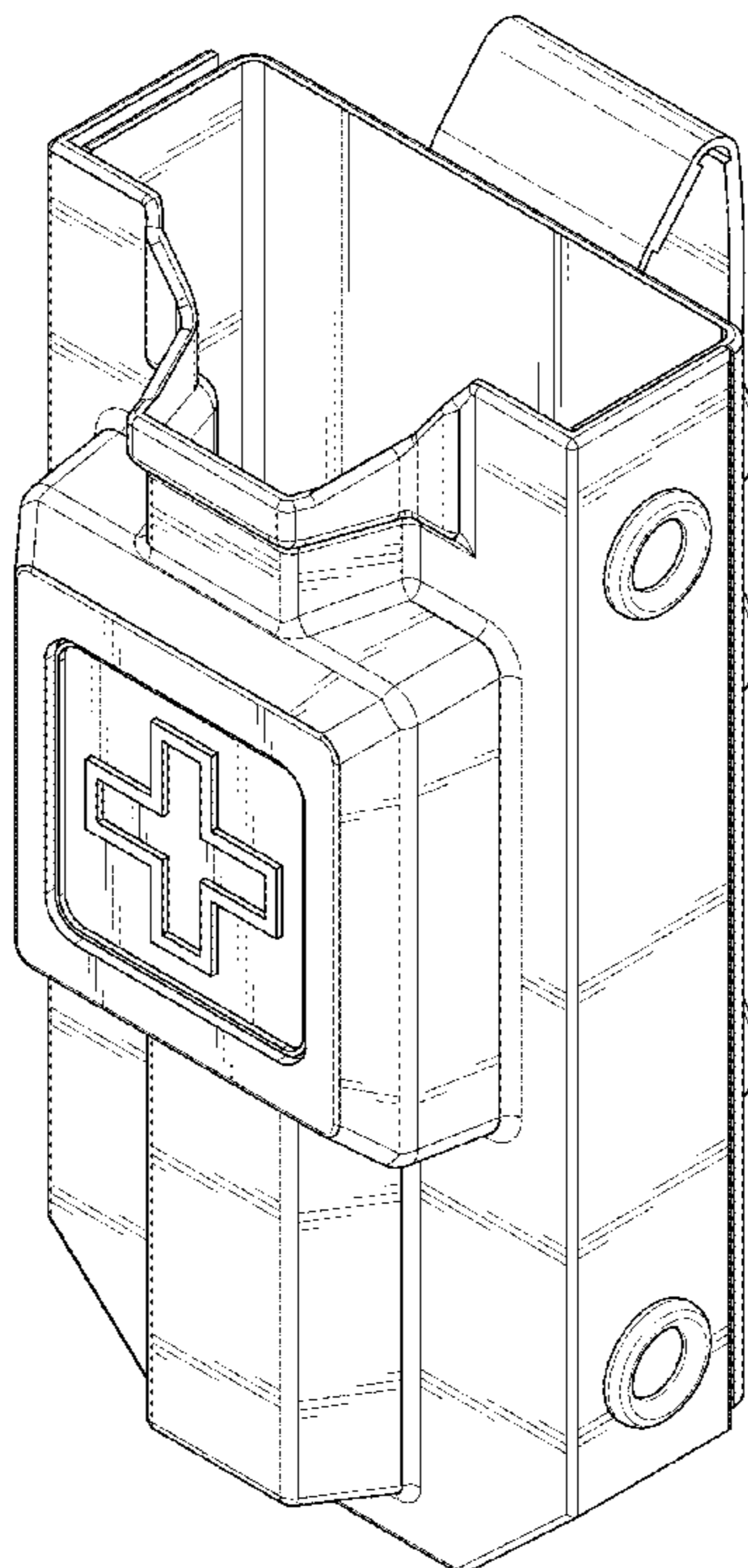
(56) **References Cited**

U.S. PATENT DOCUMENTS

5,174,482 A * 12/1992 Rogers F42B 39/02
224/245
6,202,908 B1 * 3/2001 Groover F42B 39/02
224/236
D642,793 S * 8/2011 Rogers F41C 33/02
D3/222
D794,324 S * 8/2017 Roccisano D3/222
D874,818 S * 2/2020 Schlang D3/226

FIG. 1 is a Perspective view of a molle pouch showing my new design;
FIG. 2 is a Front view of the molle pouch as shown in FIG. 1;
FIG. 3 is a Back view of the molle pouch as shown in FIG. 1;
FIG. 4 is a Right-side view of the molle pouch as shown in FIG. 1;
FIG. 5 is a Left-side view of the molle pouch as shown in FIG. 1;
FIG. 6 is a Top view of the molle pouch as shown in FIG. 1; and,
FIG. 7 is a Bottom view of the molle pouch as shown in FIG. 1.

1 Claim, 7 Drawing Sheets



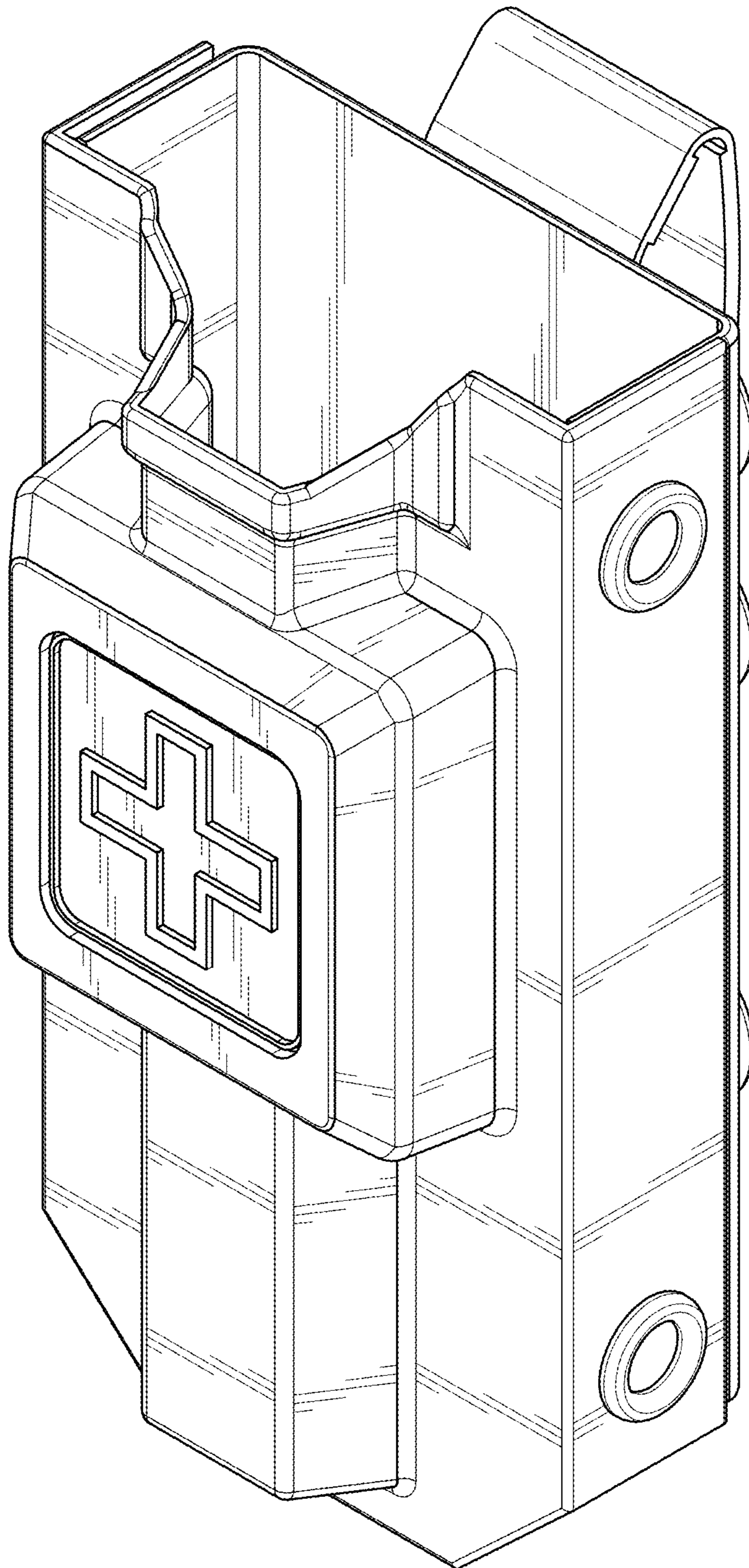


FIG. 1

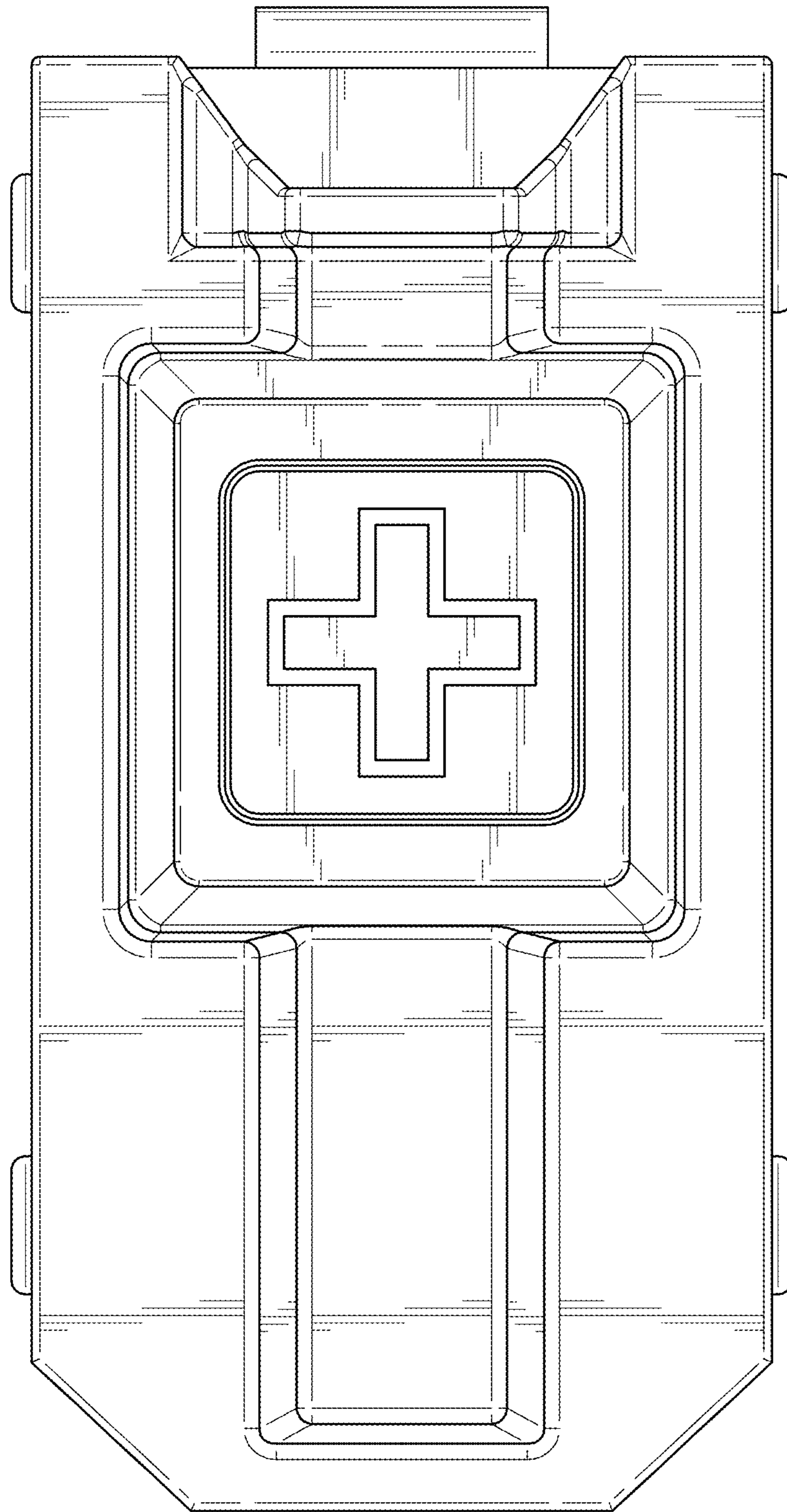


FIG. 2

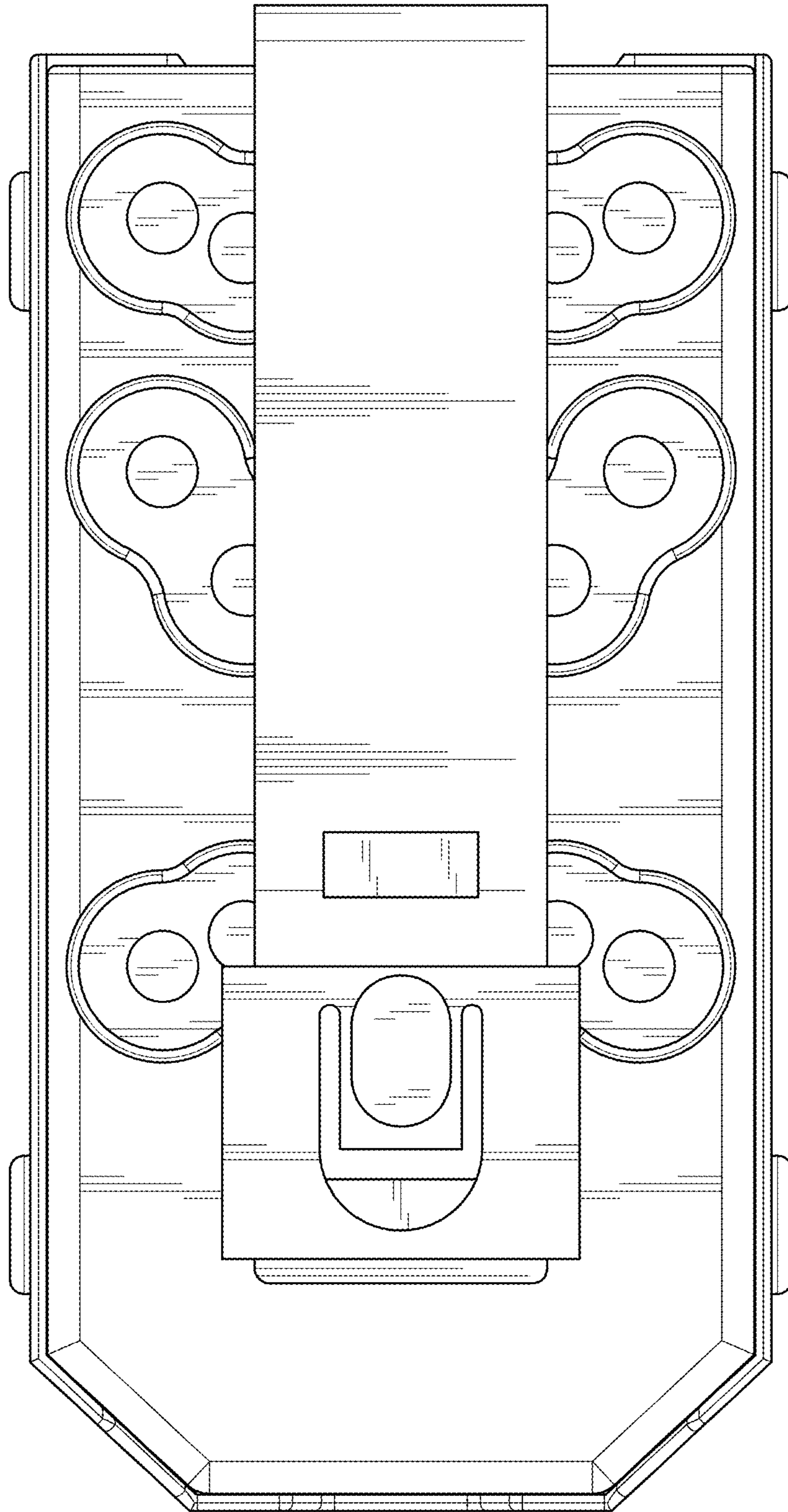


FIG. 3

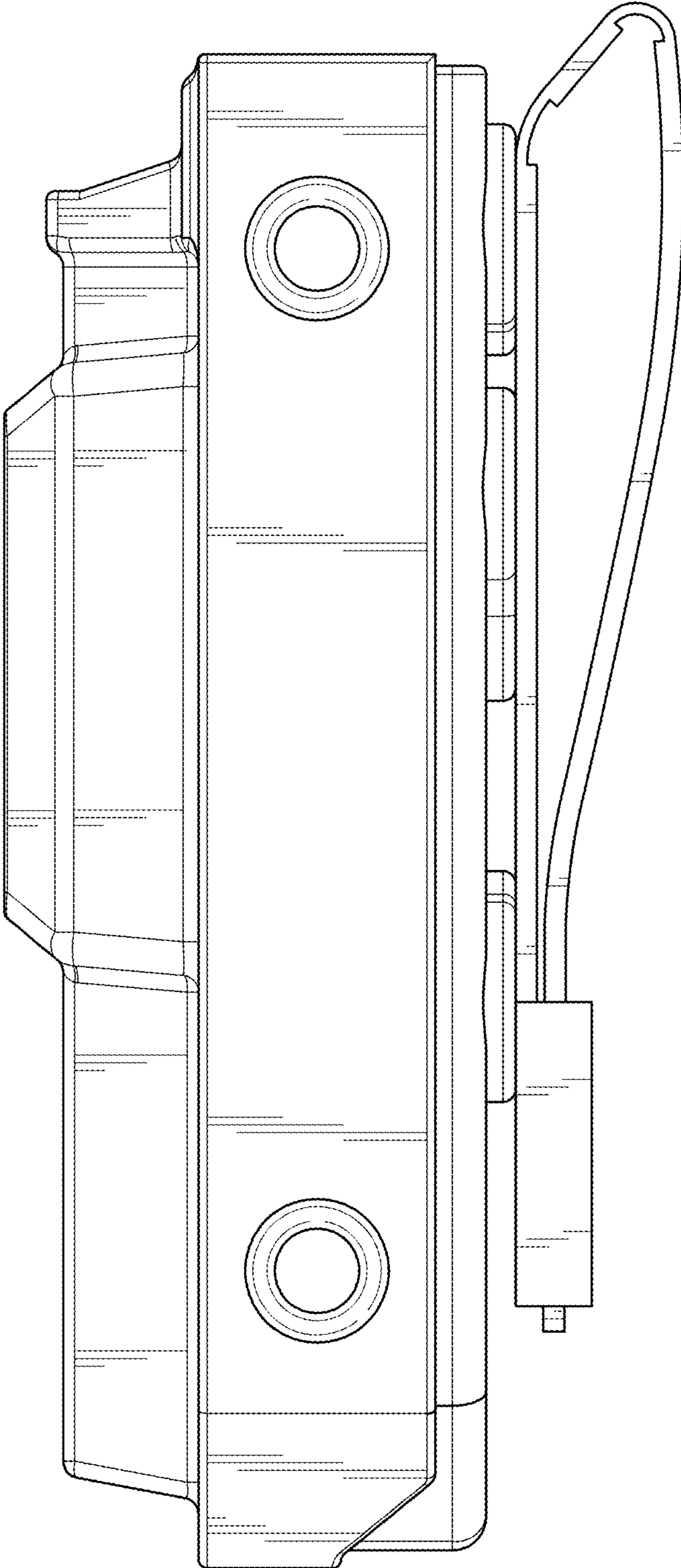


FIG. 4

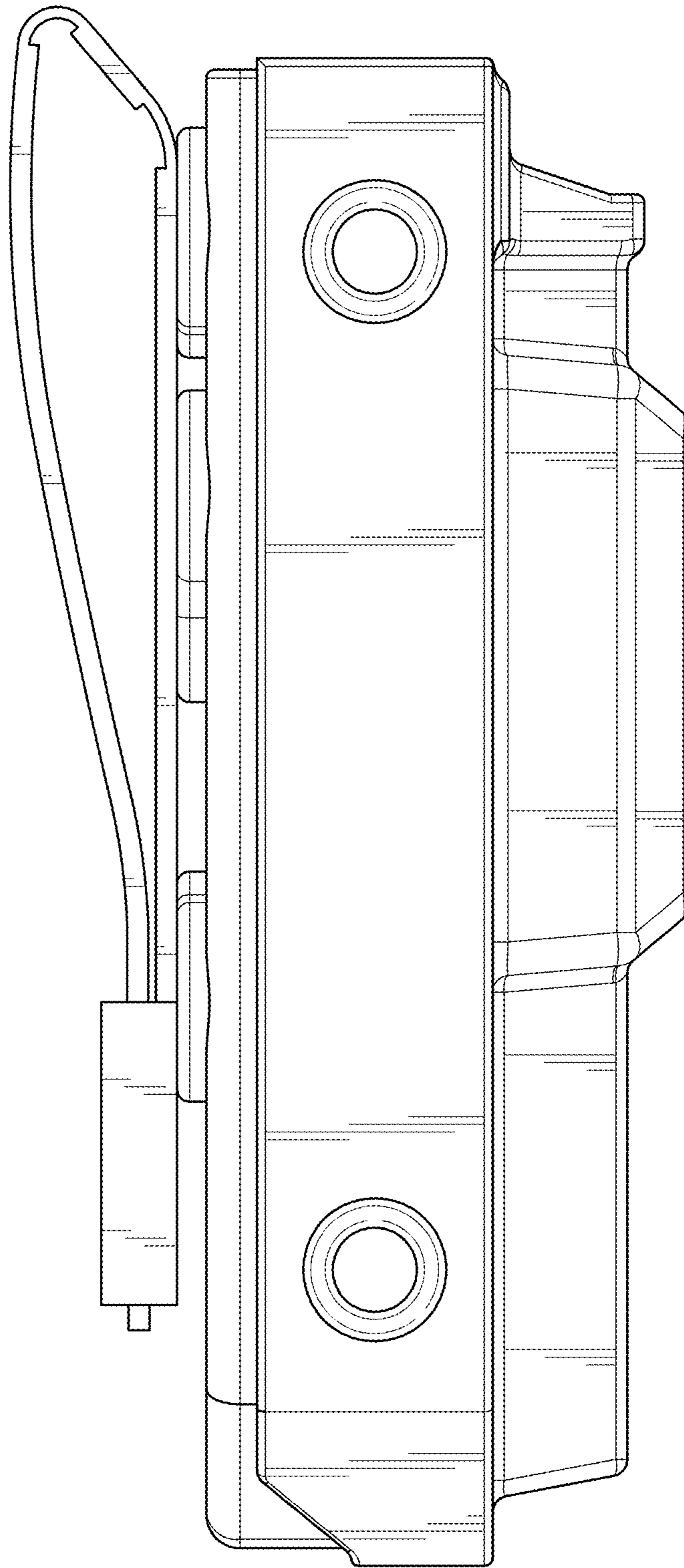


FIG. 5

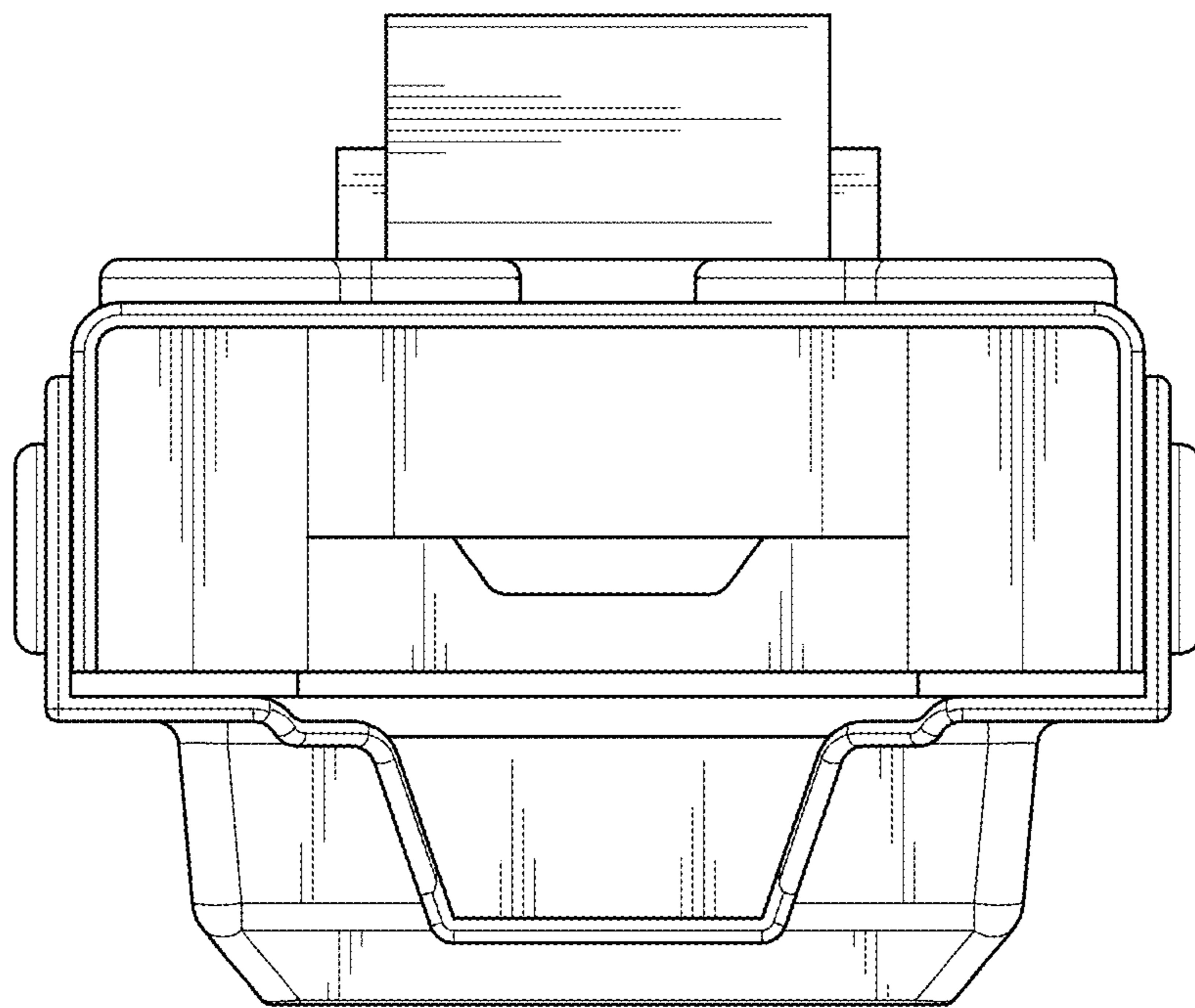


FIG. 6

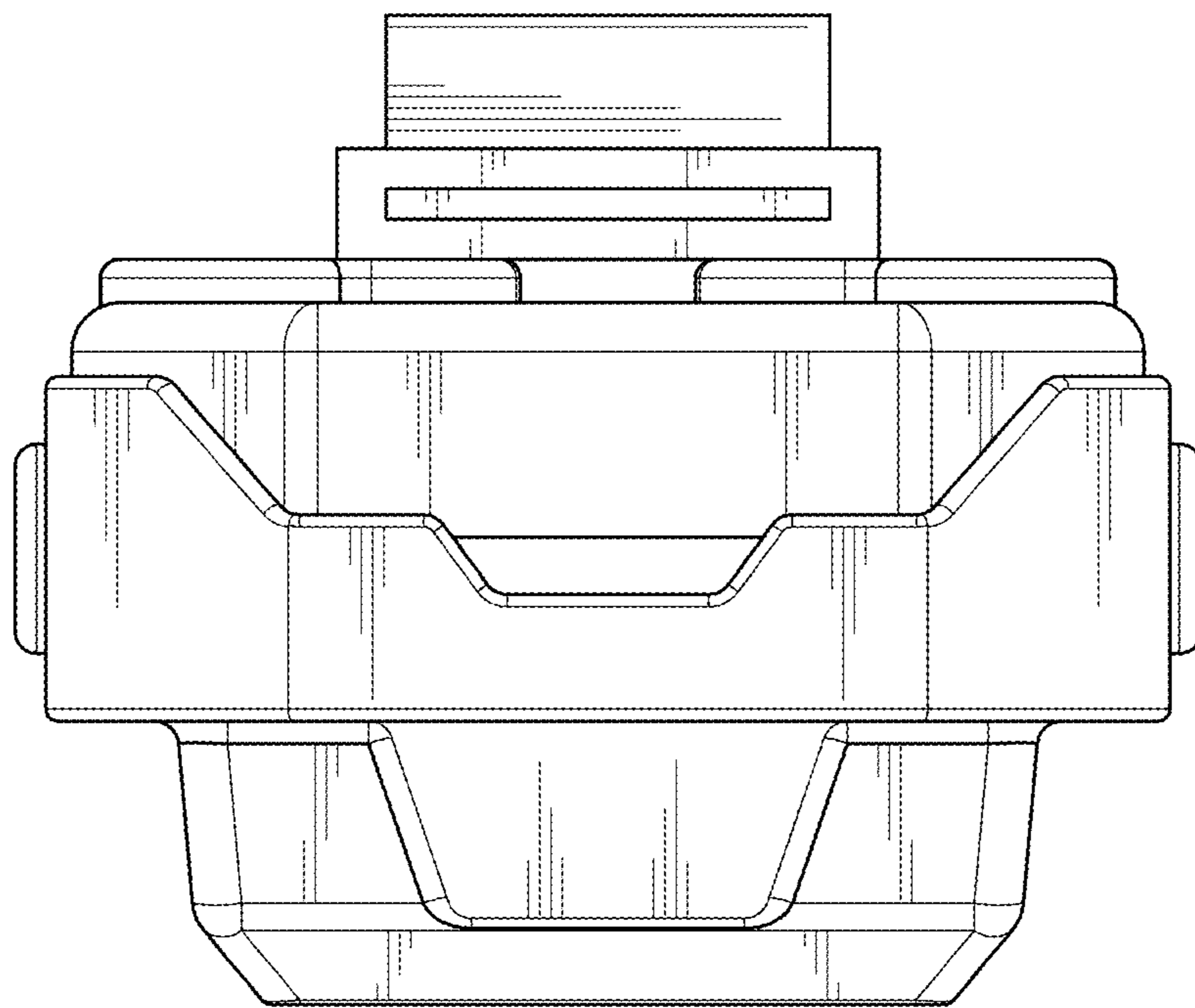


FIG. 7