



US00D901880S

(12) **United States Design Patent**
Benn

(10) **Patent No.:** **US D901,880 S**

(45) **Date of Patent:** **** Nov. 17, 2020**

(54) **SPEEDLOADER HOLSTER**

D853,109 S * 7/2019 Wilson D3/222
D874,818 S * 2/2020 Schlang D3/226

(71) Applicant: **Taurean Marquis Benn**, Portage, MI
(US)

* cited by examiner

(72) Inventor: **Taurean Marquis Benn**, Portage, MI
(US)

Primary Examiner — Michael A. Pratt
(74) *Attorney, Agent, or Firm* — Larry E. Henneman, Jr.;
Henneman & Associates, PLC

(**) Term: **15 Years**

(57) **CLAIM**

I claim the ornamental design for a speedloader holster, as shown.

(21) Appl. No.: **29/688,872**

DESCRIPTION

(22) Filed: **Apr. 25, 2019**

FIG. 1 is a perspective view of a speedloader holster, according to the present invention, having a speedloader holstered therein;

(51) **LOC (12) Cl.** **03-01**

FIG. 2 is a perspective view of the speedloader holster of FIG. 1;

(52) **U.S. Cl.**

USPC **D3/226**

FIG. 3 is a front view of the speedloader holster of FIG. 1;

(58) **Field of Classification Search**

USPC D3/215, 226; D22/108

CPC F41C 33/041; A45F 2200/0525

See application file for complete search history.

FIG. 4 is a rear view of the speedloader holster of FIG. 1;

FIG. 5 is a first side view of the speedloader holster of FIG. 1;

FIG. 6 is a second, opposite side view of the speedloader holster of FIG. 1;

FIG. 7 is a top view of the speedloader holster of FIG. 1; and,
FIG. 8 is a bottom view of the speedloader holster of FIG. 1.

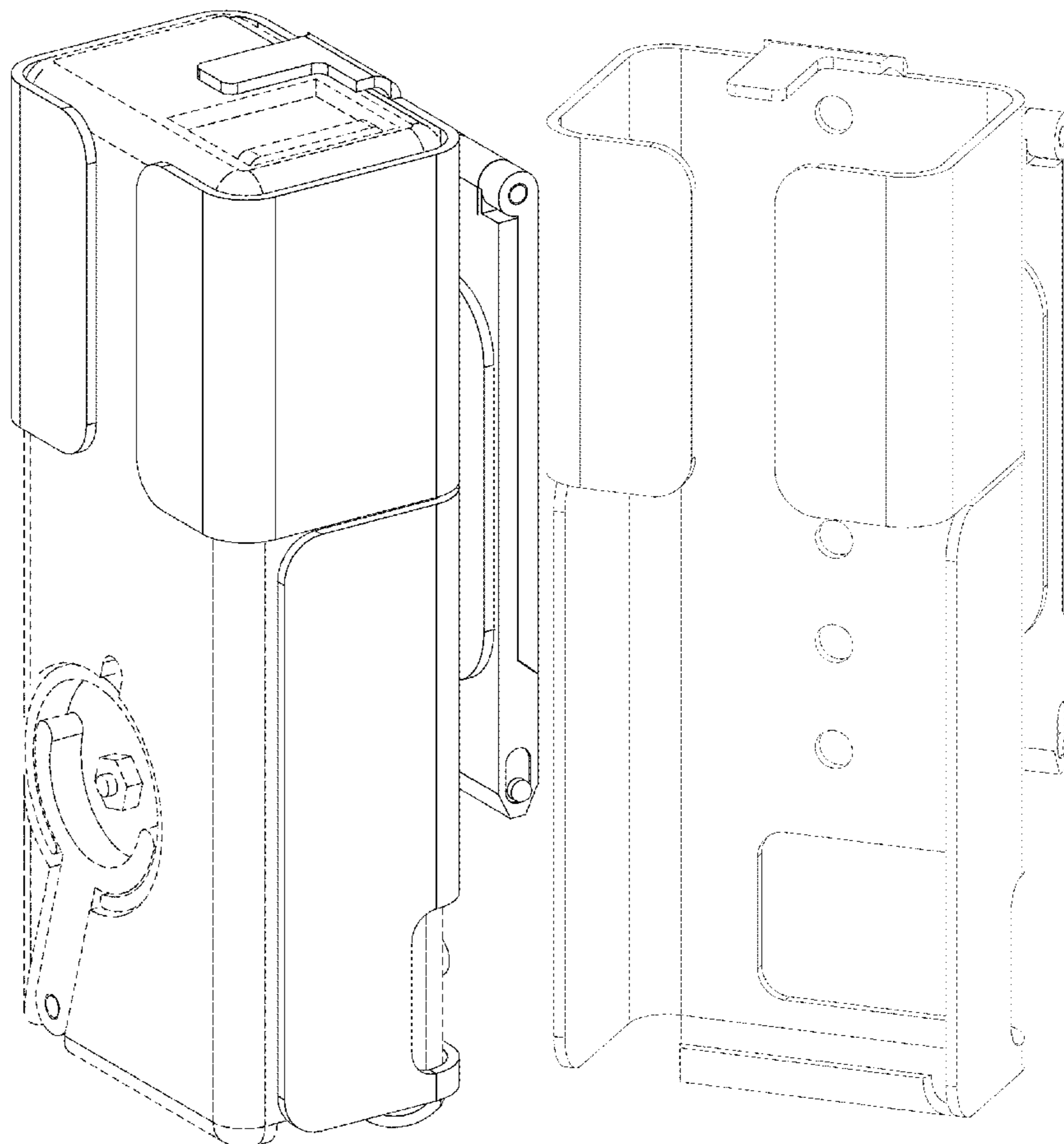
(56) **References Cited**

U.S. PATENT DOCUMENTS

D413,435 S * 9/1999 Chapman 224/908

D543,022 S * 5/2007 Alon D3/218

1 Claim, 8 Drawing Sheets



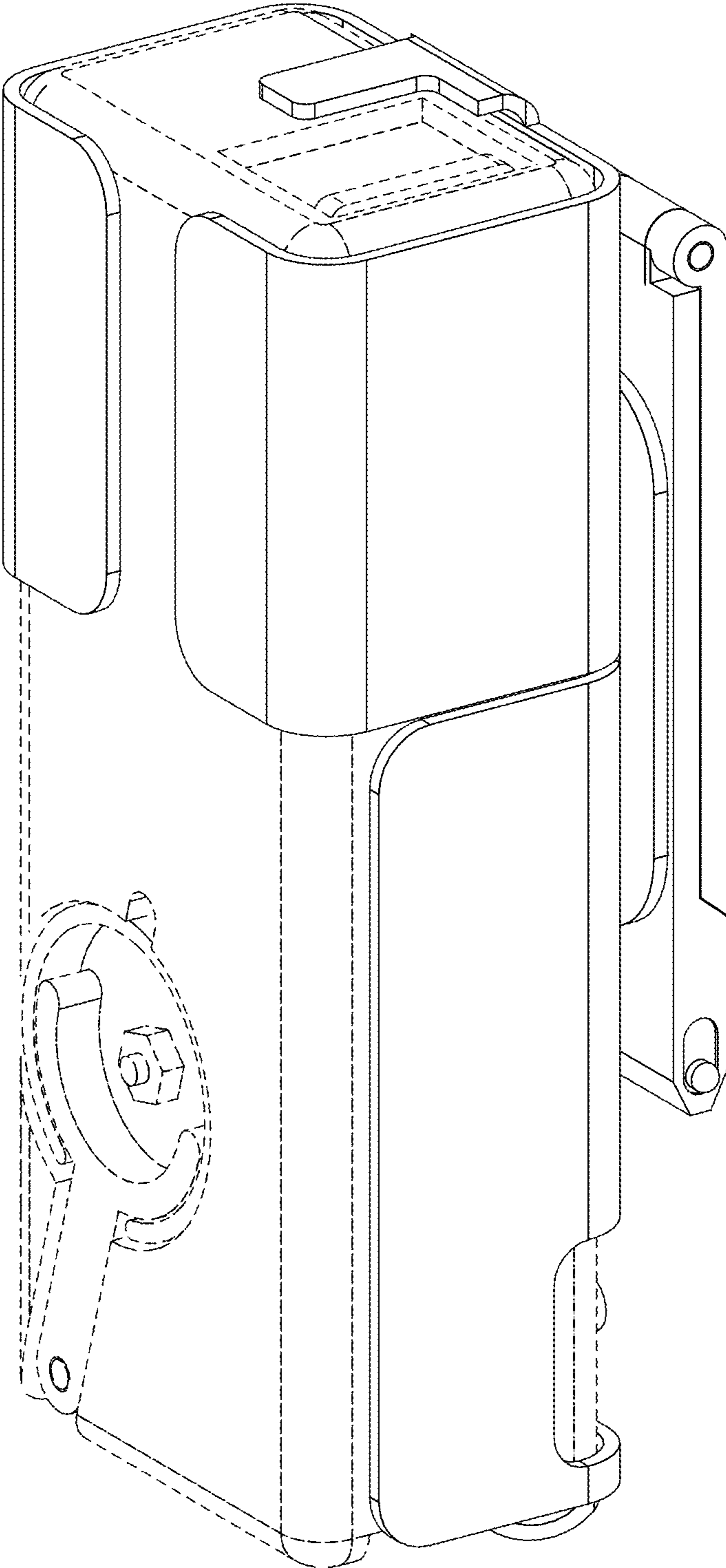


FIG. 1

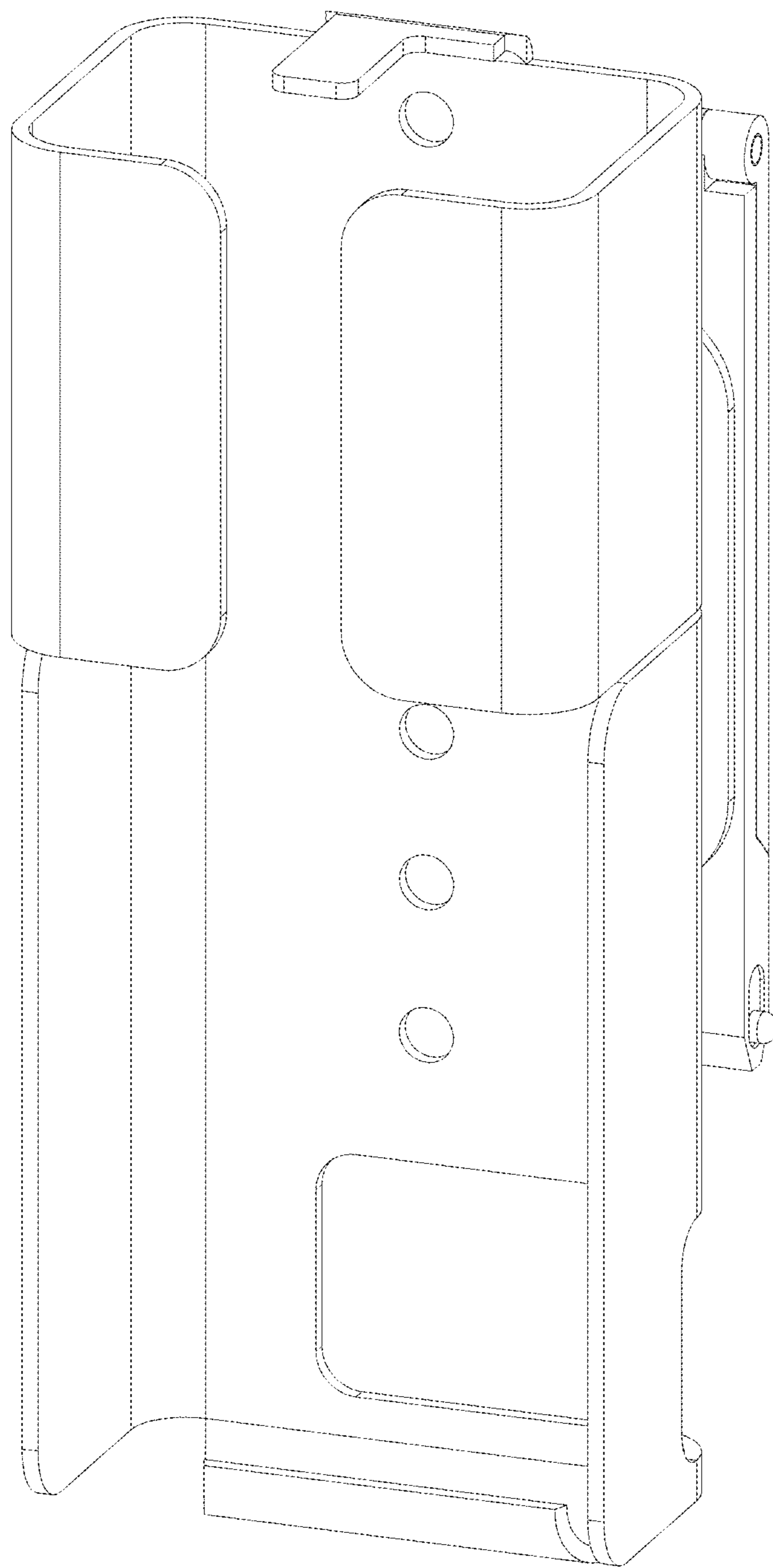


FIG. 2

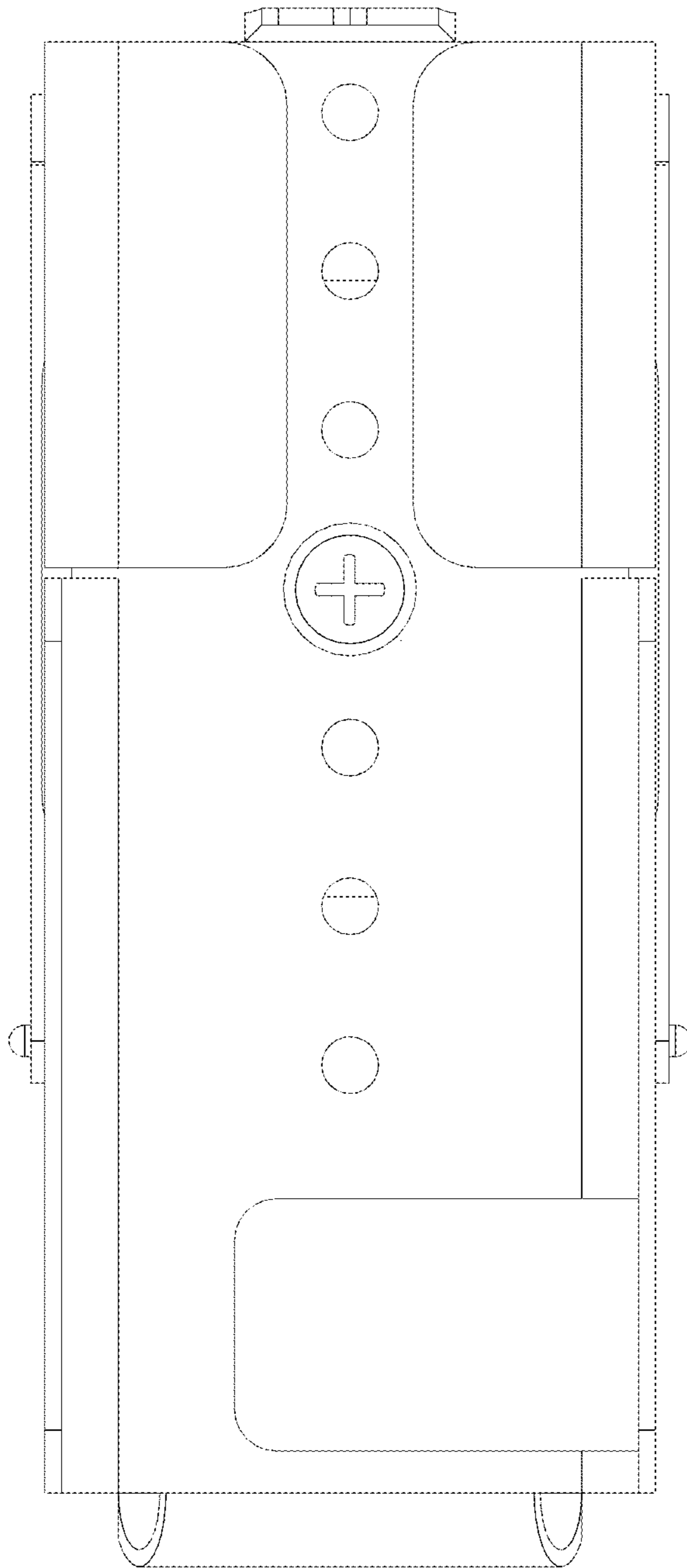


FIG. 3

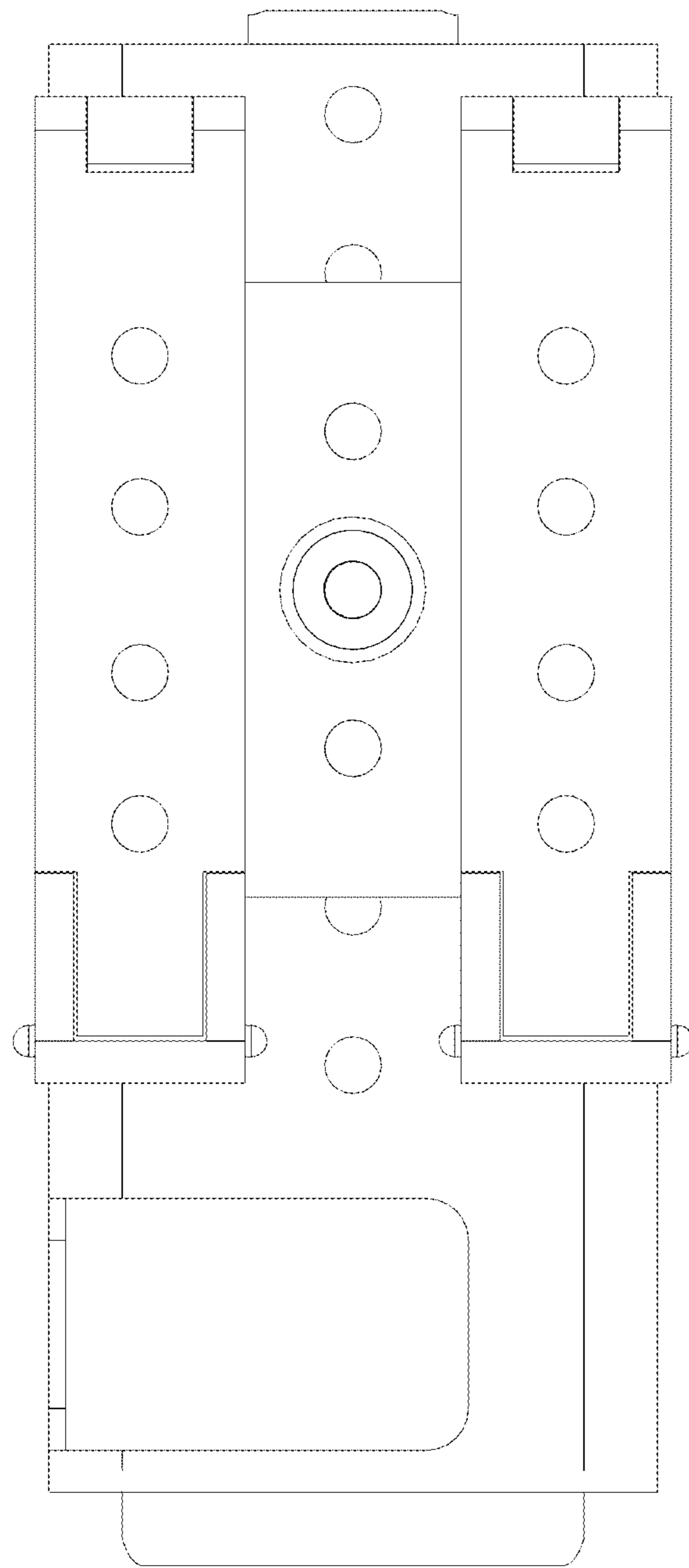


FIG. 4

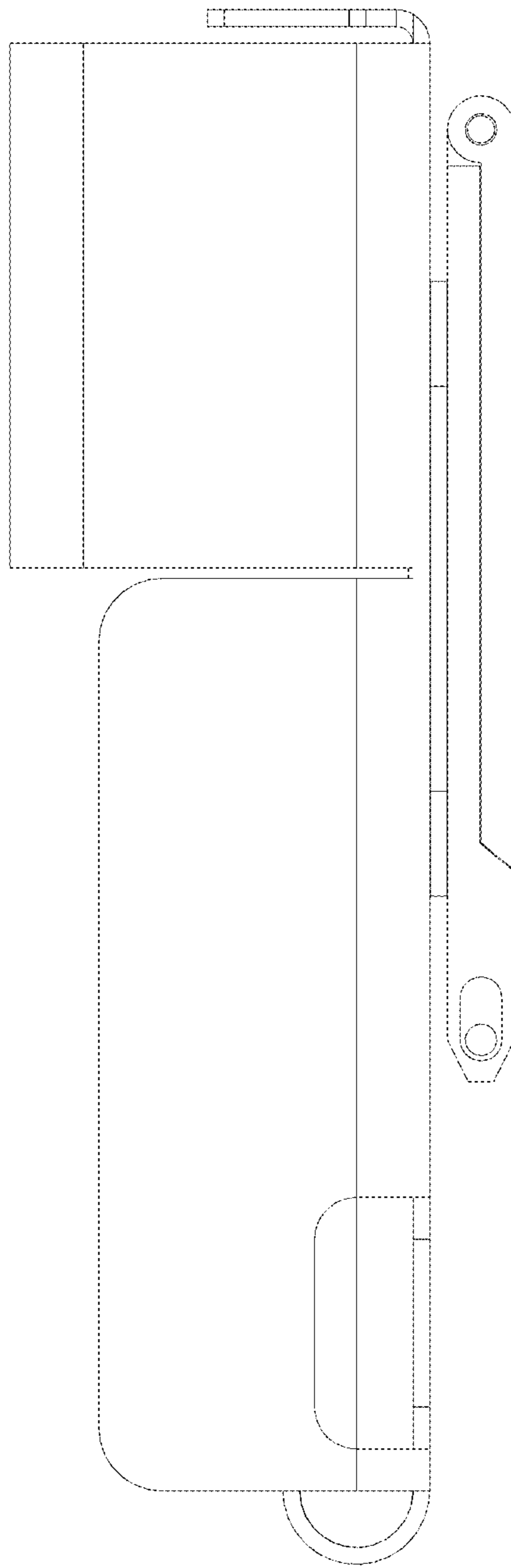


FIG. 5

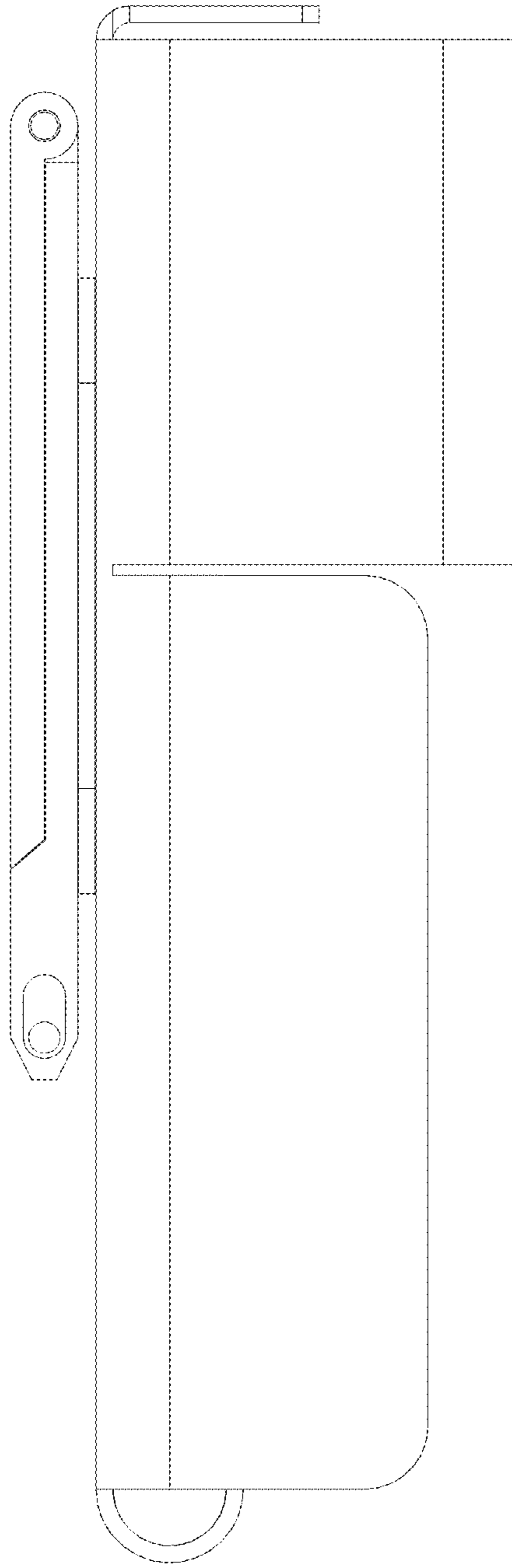


FIG. 6

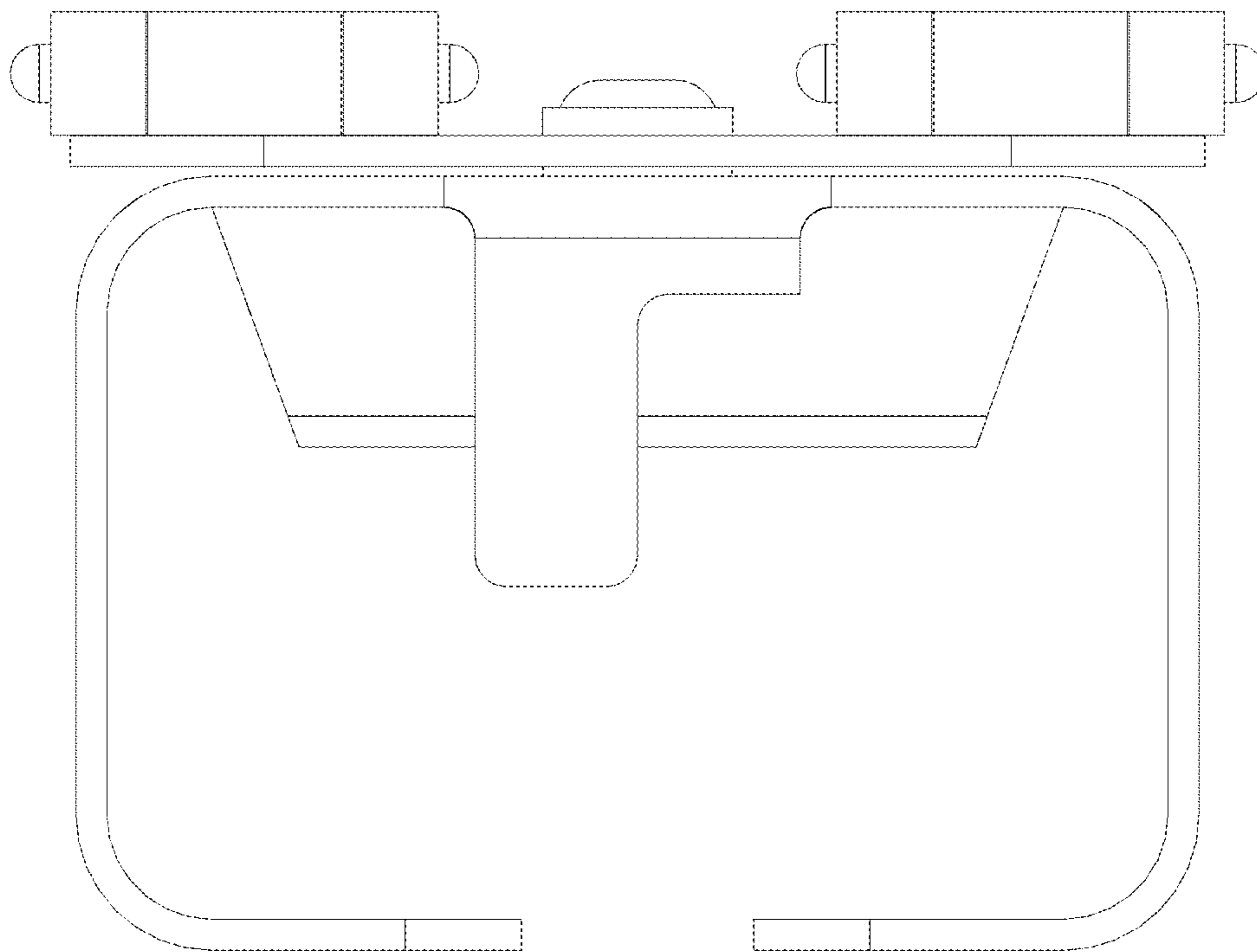


FIG. 7

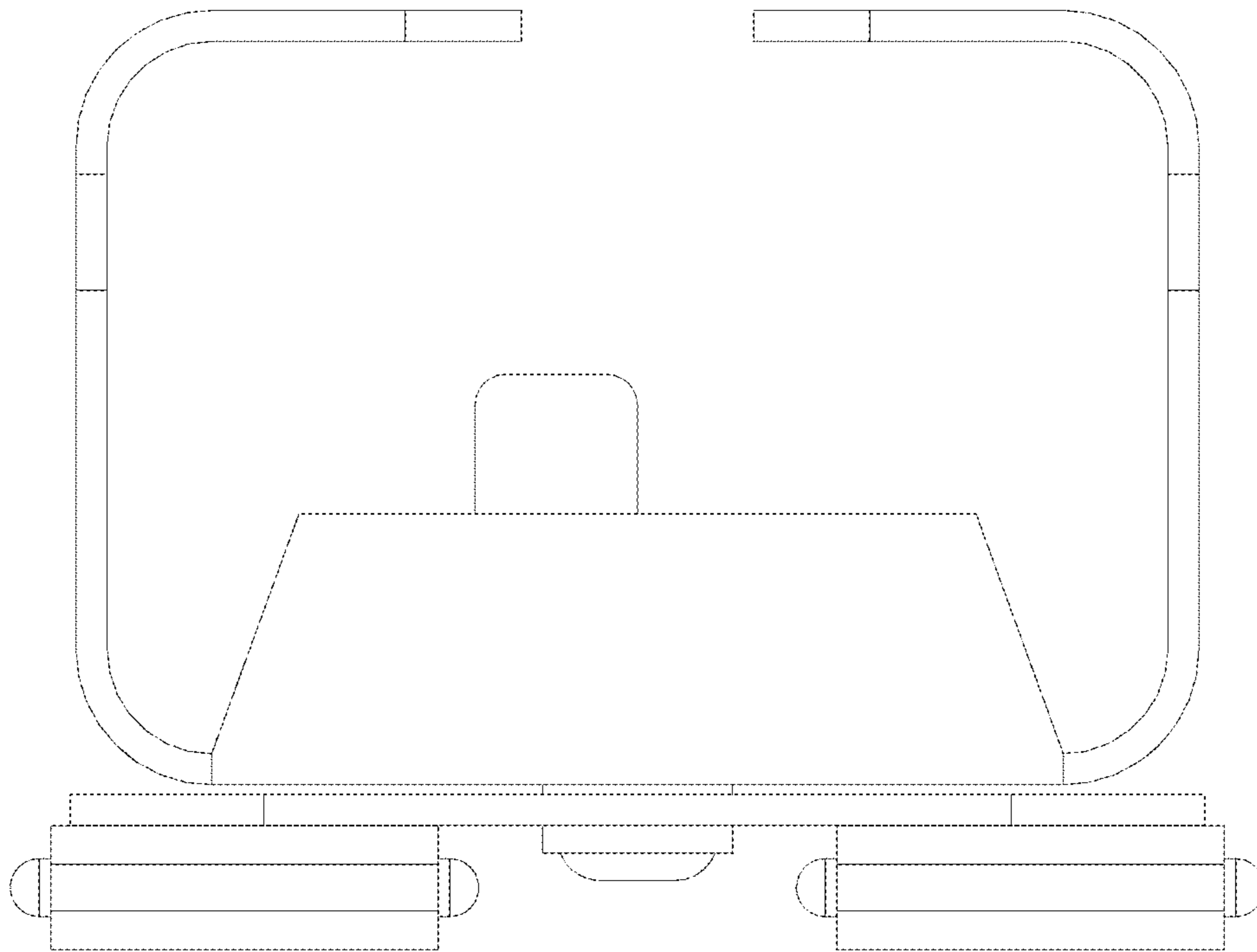


FIG. 8