



US00D901879S

(12) **United States Design Patent** (10) **Patent No.:** **US D901,879 S**
Barrons (45) **Date of Patent:** **** Nov. 17, 2020**

(54) **COMPUTER HOLDER**

(71) Applicant: **Airpole Limited**, Hampshire (GB)

(72) Inventor: **Bruce Barrons**, Hampshire (GB)

(73) Assignee: **Airpole Limited**, Hampshire (GB)

(**) Term: **15 Years**

(21) Appl. No.: **29/674,832**

(22) Filed: **Dec. 26, 2018**

(30) **Foreign Application Priority Data**

Jun. 28, 2018 (EM) 005328408
Jun. 28, 2020 (EM) 005328408-0002

(51) **LOC (12) Cl.** **03-01**

(52) **U.S. Cl.**
USPC **D3/218**

(58) **Field of Classification Search**
USPC D3/218, 215, 201, 301, 303, 299, 269,
D3/274, 276, 289; 224/197, 250, 666,
224/674, 930; D14/250, 253; 206/305,
206/320; 190/102, 111, 115, 127,
190/901-902
CPC A45F 5/00; A45F 2005/008; A45F
2200/0516; F16M 11/10; F16M 13/04
See application file for complete search history.

(56) **References Cited**

U.S. PATENT DOCUMENTS

D653,855 S * 2/2012 Yoon D3/303
D666,804 S * 9/2012 Rogers D3/201

D669,267 S * 10/2012 Mecchella D3/289
2013/0270851 A1* 10/2013 Konyha F16M 13/04
294/142
2014/0361057 A1* 12/2014 Gardner A45F 5/00
224/222
2016/0345715 A1* 12/2016 Lin G06F 1/1656
2018/0100616 A1* 4/2018 Streater F16M 11/10
2018/0116381 A1* 5/2018 Koshak G03B 17/563
2019/0380479 A1* 12/2019 Lea A45F 5/00

* cited by examiner

Primary Examiner — Catherine R Oliver-Garcia
(74) *Attorney, Agent, or Firm* — Reichel Stohry Dean
LLP; Natalie J. Dean

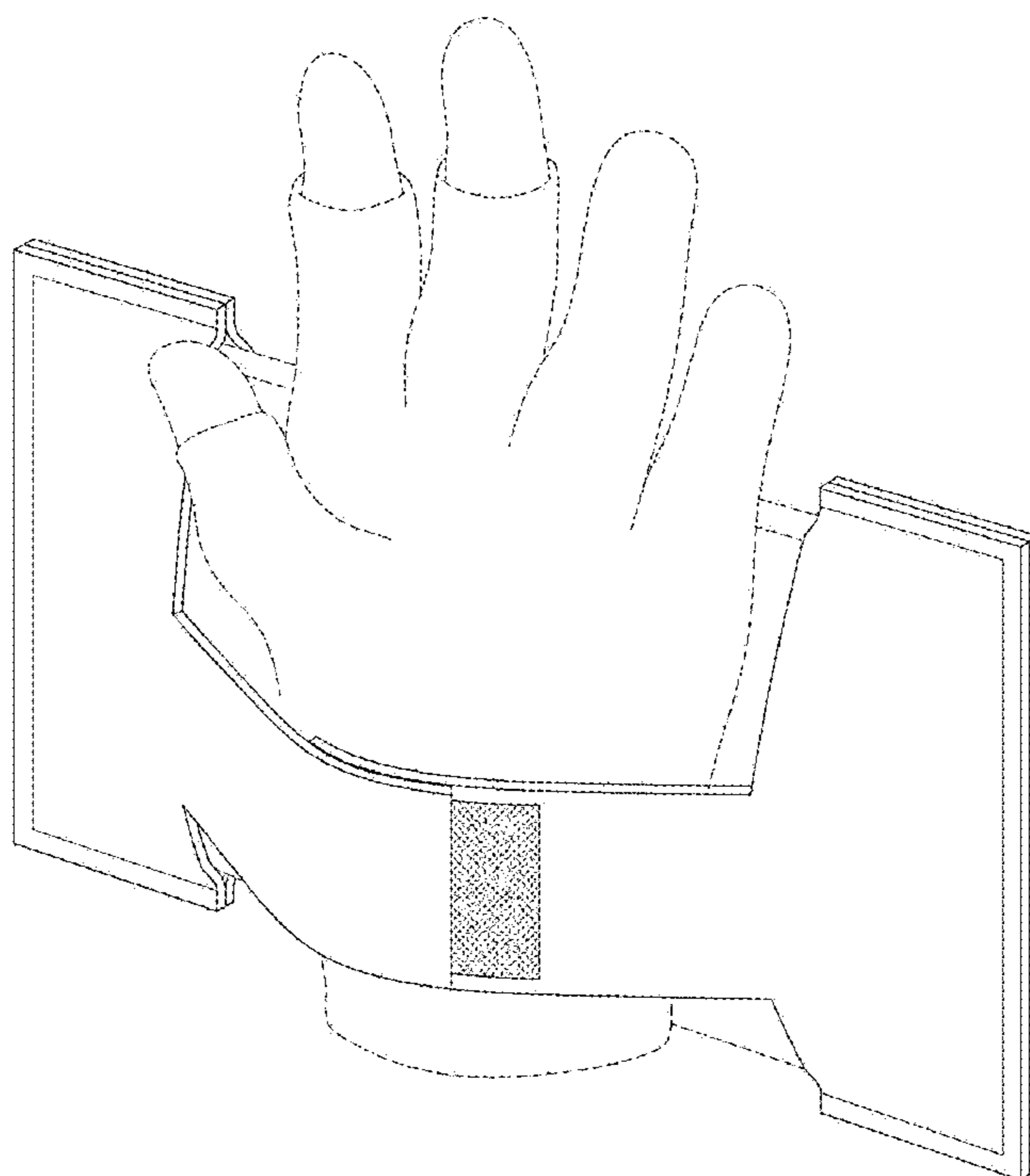
(57) **CLAIM**

The ornamental design for a computer holder, as shown and described.

DESCRIPTION

FIG. 1 is a front perspective view of a computer holder of the present disclosure;
FIG. 2 is a rear perspective view of the computer holder of FIG. 1;
FIG. 3 is a side elevational view of a first side the computer holder of FIG. 1;
FIG. 4 is a rear view of the computer holder of FIG. 1;
FIG. 5 is a front view of the computer holder of FIG. 1;
FIG. 6 side elevational view of a second side of the computer holder of FIG. 1;
FIG. 7 is a top view of the computer holder of FIG. 1; and,
FIG. 8 is a bottom view of the computer holder of FIG. 1.
The broken lines in FIGS. 1-8 form no part of the claimed design.

1 Claim, 8 Drawing Sheets



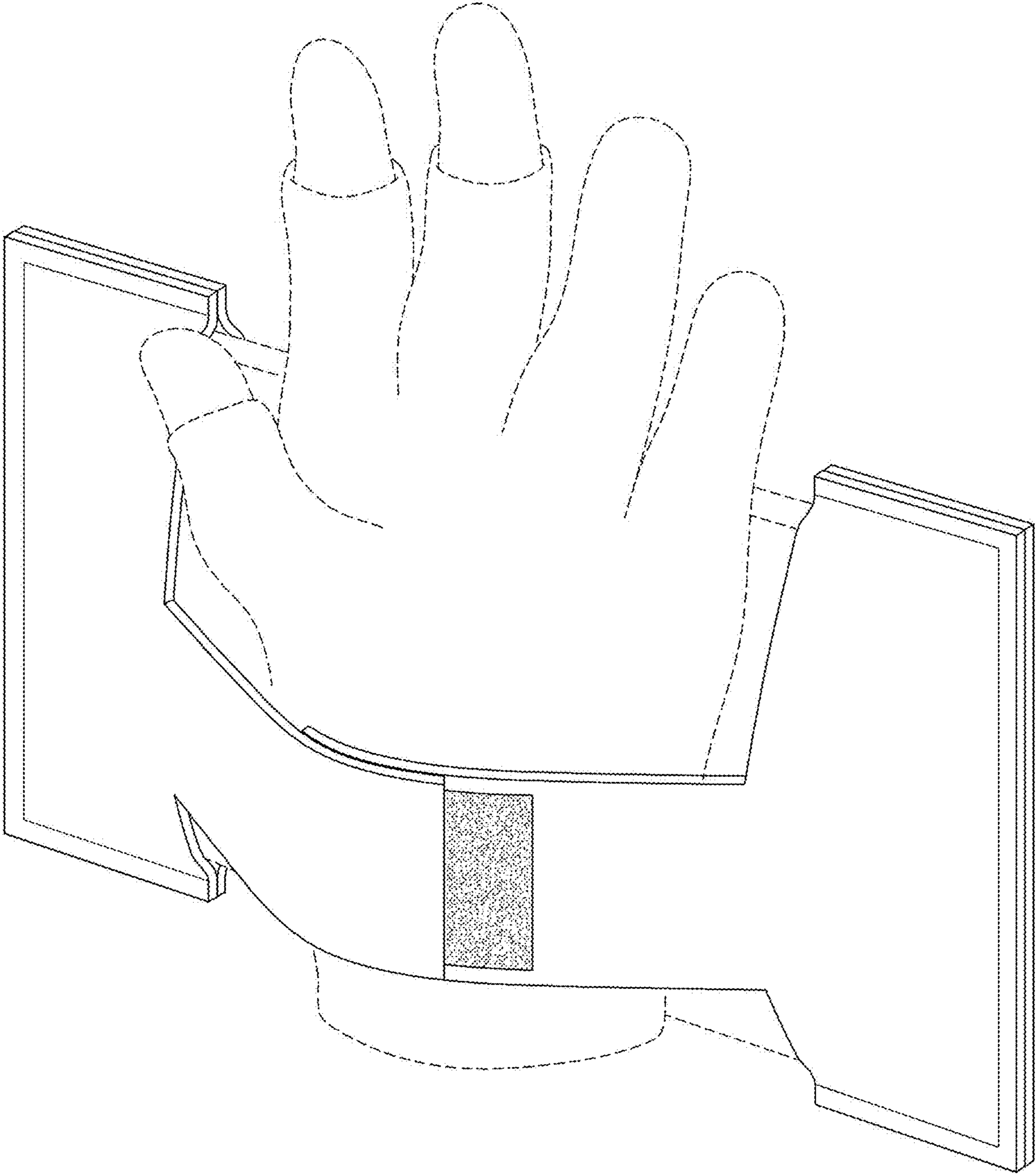


Figure 1

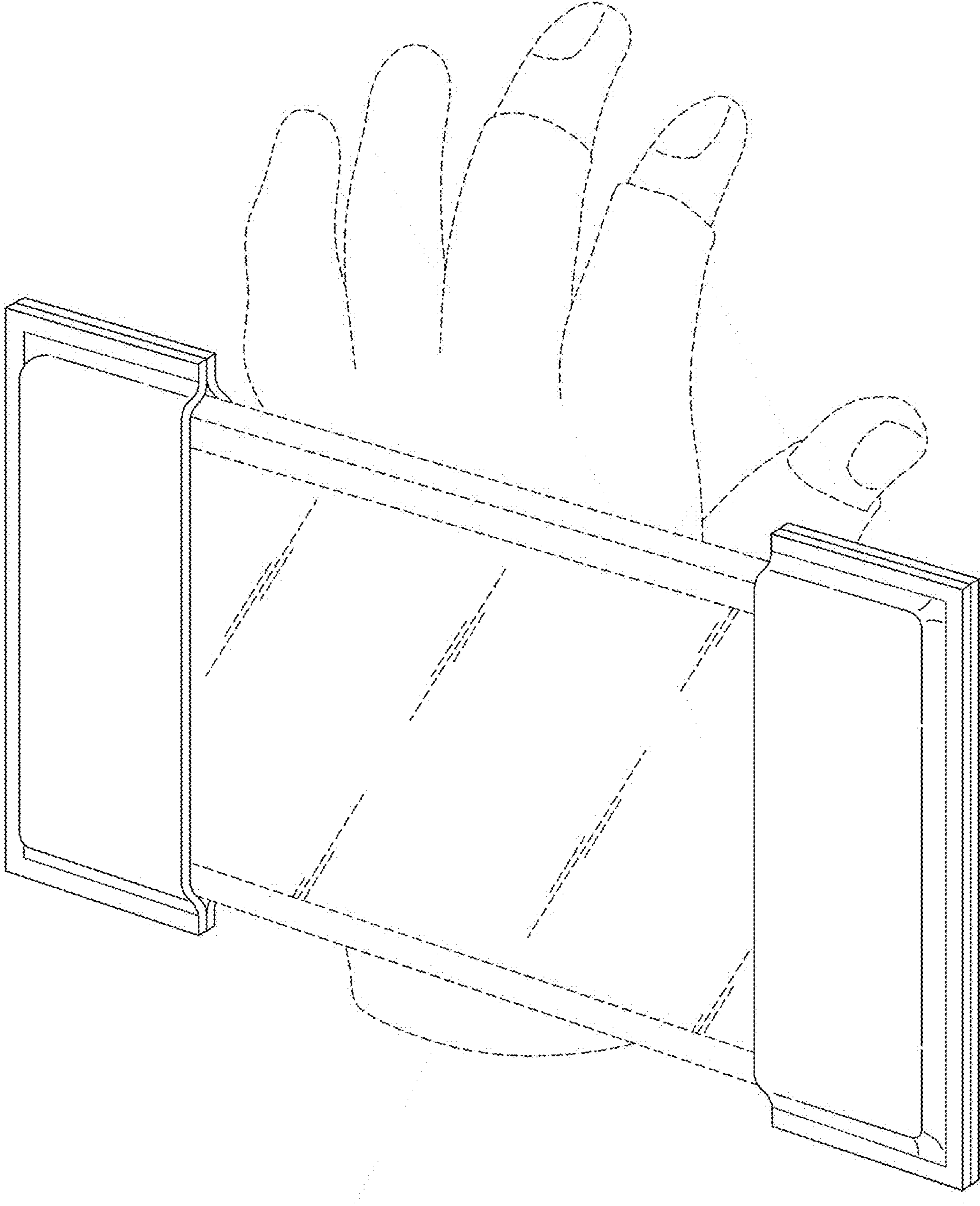


Figure 2

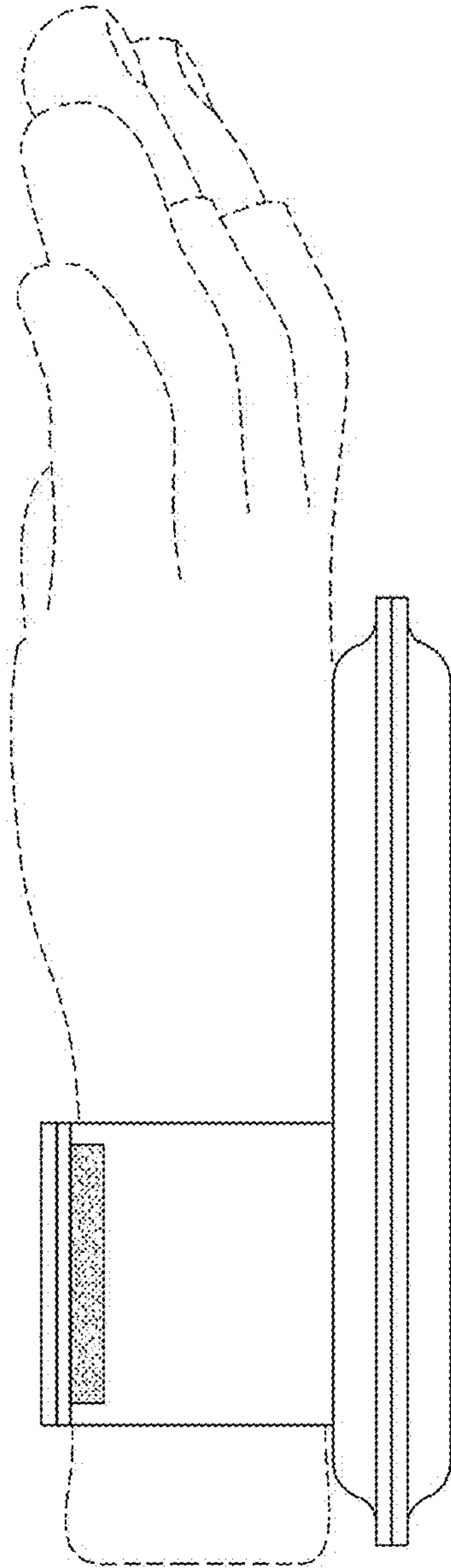


Figure 3

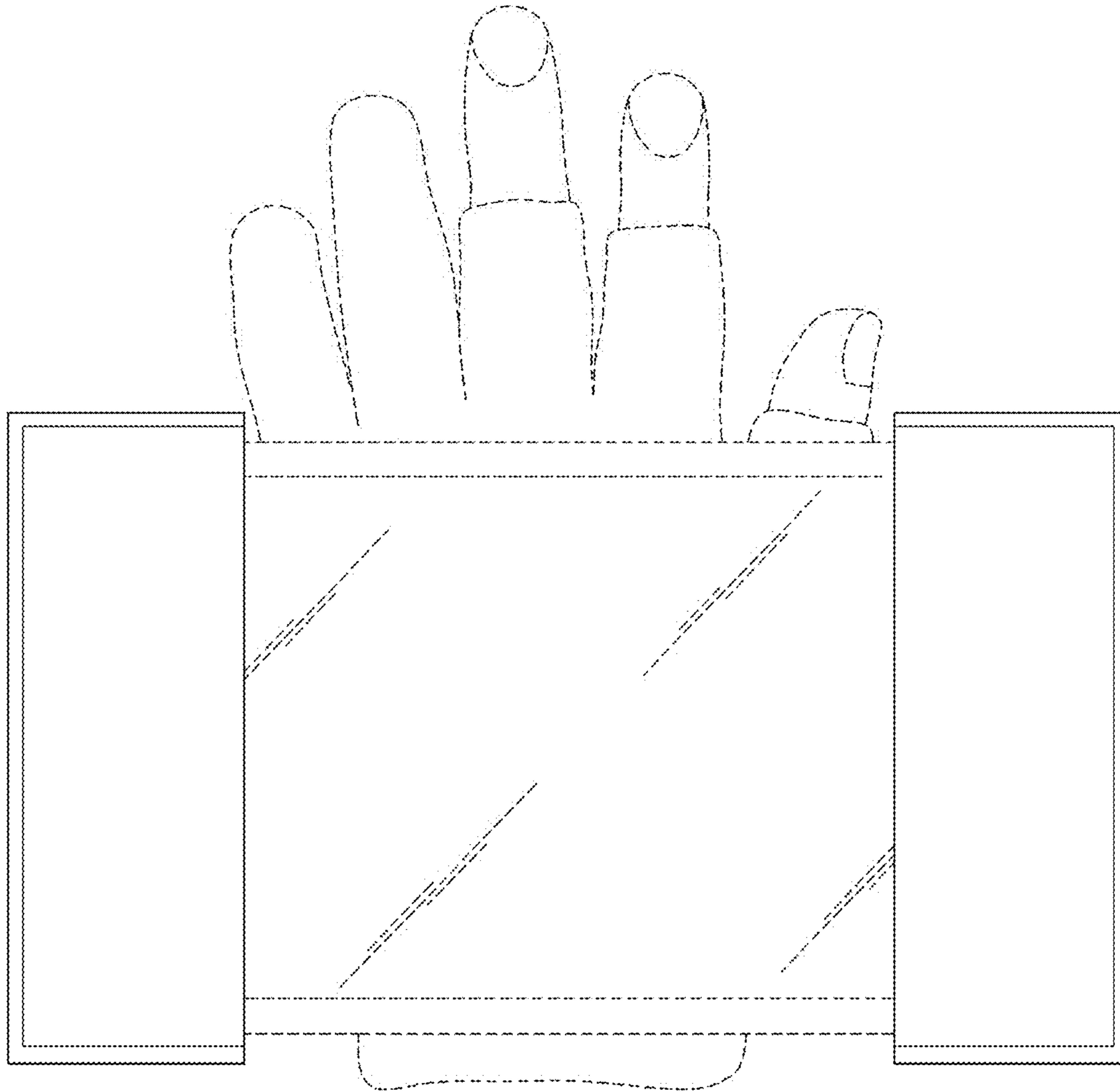


Figure 4

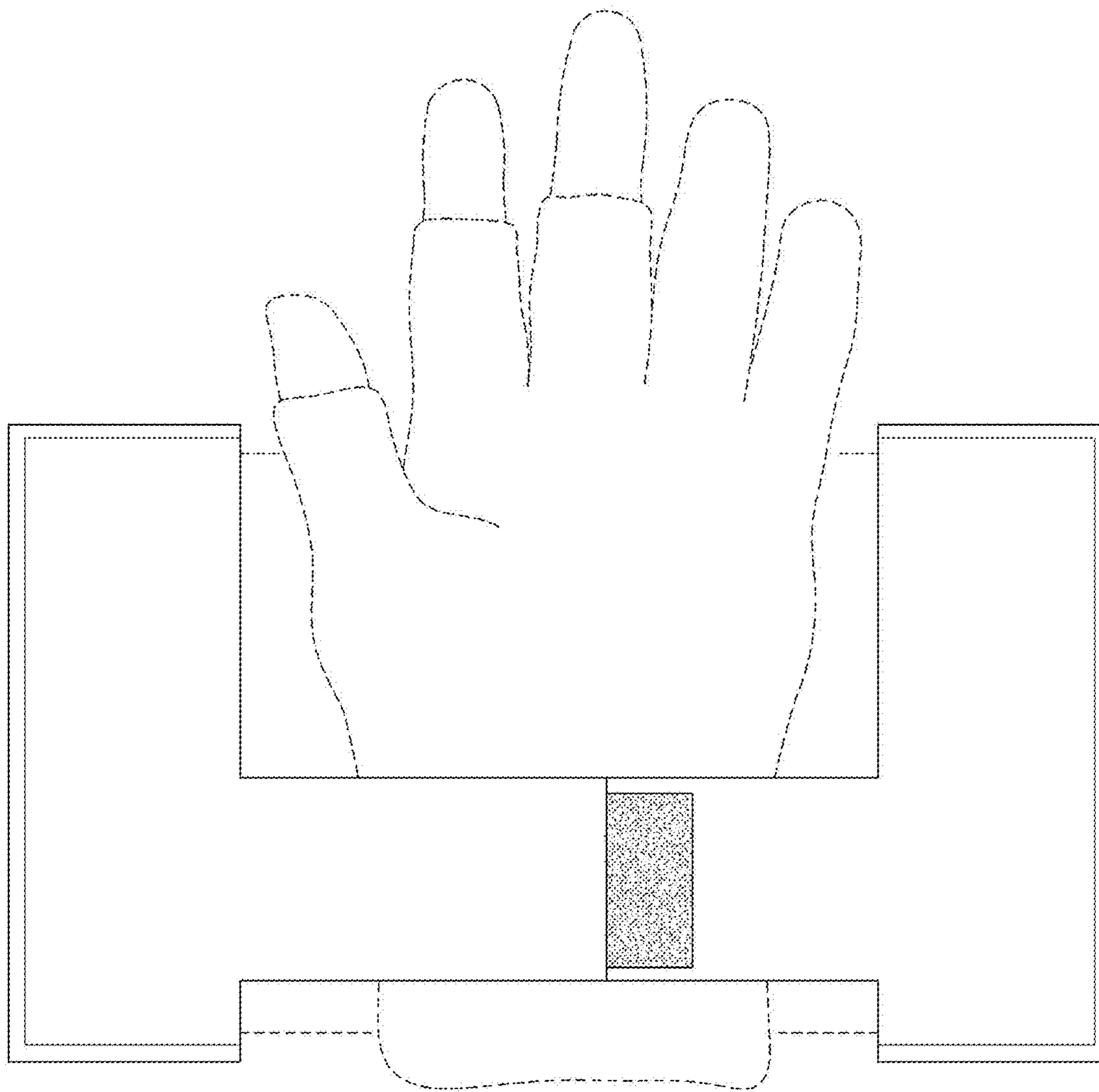


Figure 5

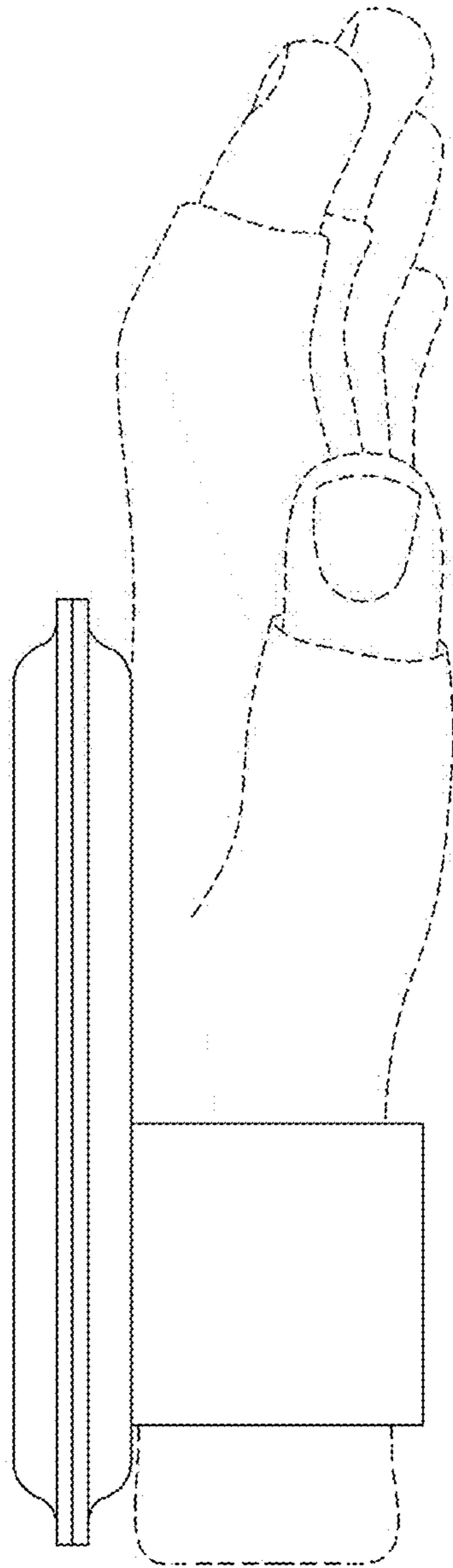


Figure 6

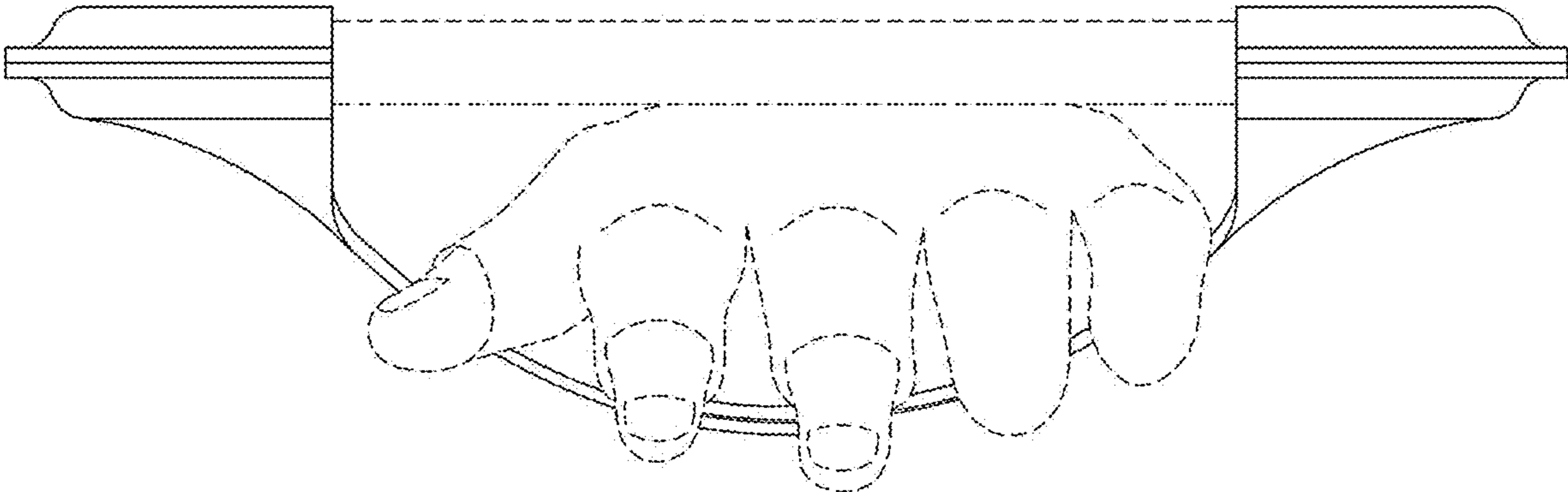


Figure 7

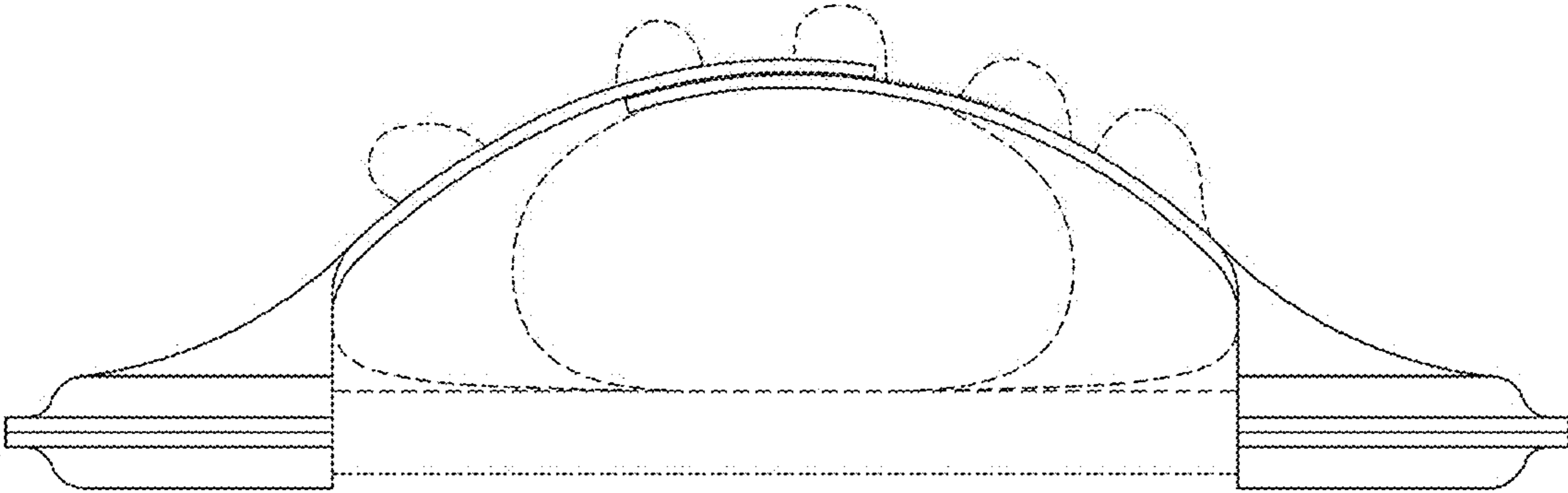


Figure 8