



US00D901878S

(12) **United States Design Patent** (10) **Patent No.:** **US D901,878 S**
Ji et al. (45) **Date of Patent:** **** Nov. 17, 2020**

(54) **DIAPER BAG BACKPACK**
(71) Applicant: **Vianetic LLC**, Stamford, CT (US)
(72) Inventors: **Taoli Ji**, Stamford, CT (US);
Sobonneth Ung, Stamford, CT (US)
(73) Assignee: **Vianetic, LLC**, Trumbull, CT (US)
(**) Term: **15 Years**
(21) Appl. No.: **29/663,711**
(22) Filed: **Sep. 18, 2018**

5,562,204 A 10/1996 Sapyta et al.
5,564,125 A 10/1996 Waldman et al.
5,573,166 A 11/1996 Leja
5,611,457 A 3/1997 Ash, Jr.
5,649,658 A 7/1997 Hoffman et al.
5,657,917 A 8/1997 Johnson et al.
5,673,836 A 10/1997 Bush
5,785,219 A 7/1998 Kraft
D409,376 S * 5/1999 Golenz D3/216
6,095,389 A * 8/2000 Fenton A45F 3/04
224/259
6,223,367 B1 5/2001 French et al.
(Continued)

Related U.S. Application Data

(63) Continuation-in-part of application No. 16/126,392,
filed on Sep. 10, 2018, now Pat. No. 10,667,600.
(51) **LOC (12) Cl.** **03-01**
(52) **U.S. Cl.**
USPC **D3/217**
(58) **Field of Classification Search**
USPC D3/201, 213-219, 221, 224, 225, 229,
D3/230, 232, 243-246, 254, 318
CPC A45F 3/04; A45F 4/02; A45F 2200/0525;
A45F 2003/045; A45C 11/00; A45C
13/30; A45C 2011/002; A45C 2011/003;
A45C 2011/001; A45C 15/00
See application file for complete search history.

References Cited

U.S. PATENT DOCUMENTS

116,874 A 7/1871 Schaefer
4,466,516 A 8/1984 Sicoli et al.
4,468,810 A 8/1984 Longo
4,810,102 A 3/1989 Norton
4,917,505 A 4/1990 Bullard et al.
4,984,906 A 1/1991 Little
5,165,111 A 11/1992 Lieberman
5,199,120 A 4/1993 Holmes
5,230,450 A 7/1993 Mahvi et al.

OTHER PUBLICATIONS

International Search Report and Written Opinion dated Jan. 28,
2019, for corresponding International Application No. PCT/US2018/
050213.

Primary Examiner — Jennifer L Watkins

(74) *Attorney, Agent, or Firm* — Athorus, PLLC

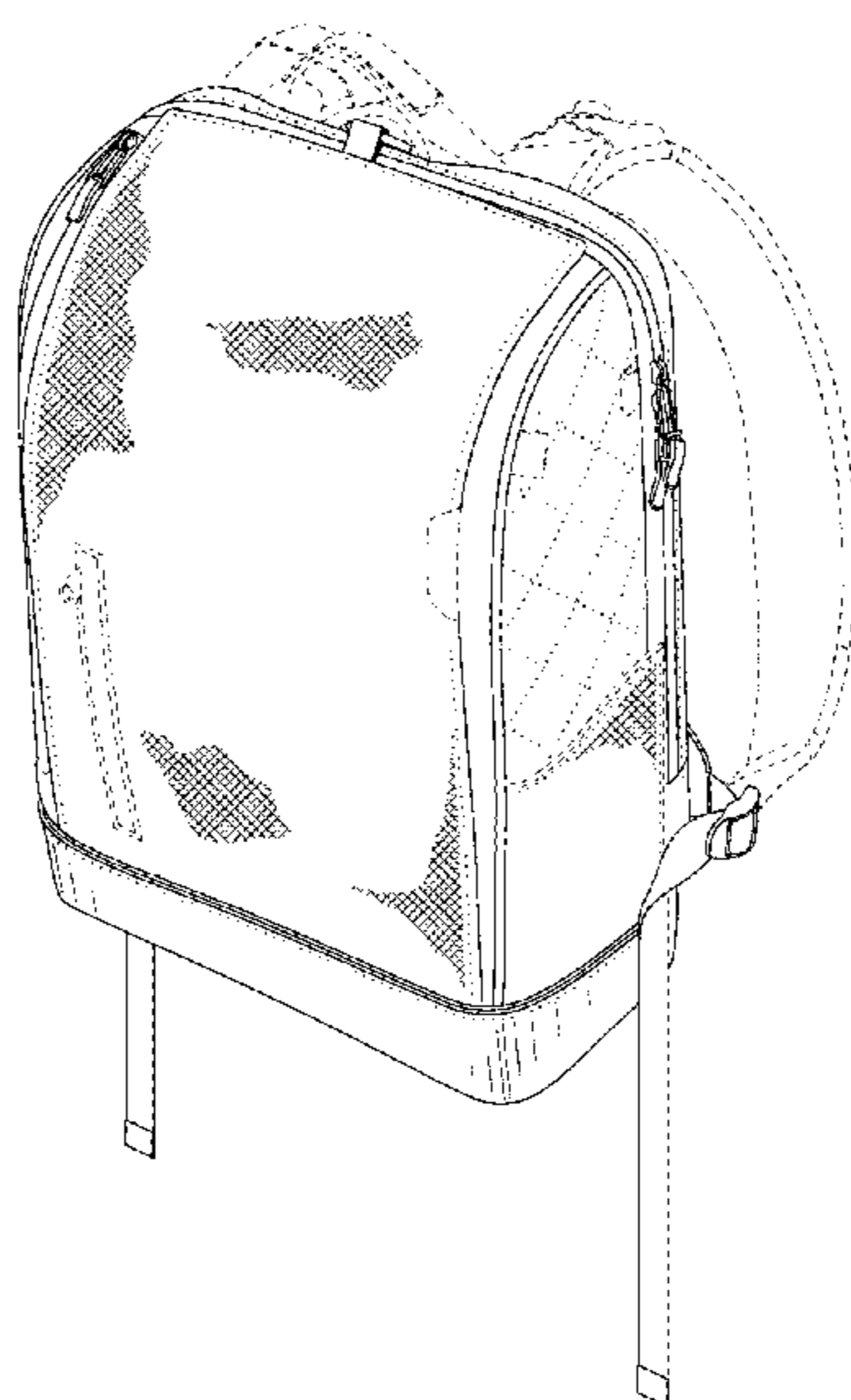
(57) **CLAIM**

The ornamental design for a diaper bag backpack, as shown
and described.

DESCRIPTION

FIG. 1 is a front perspective view of a diaper bag backpack
in accordance with the present design;
FIG. 2 is a front view thereof;
FIG. 3 is a back view thereof;
FIG. 4 is a left side view thereof;
FIG. 5 is a right side view thereof;
FIG. 6 is a top view thereof;
FIG. 7 is a bottom view thereof; and,
FIG. 8 is a front perspective view thereof.
The dotted lines depict stitching and form no part of the
claimed design. The evenly dashed lines depict unclaimed
portions of the diaper bag backpack and form no part of the
claimed design.

1 Claim, 8 Drawing Sheets



(56)

References Cited

U.S. PATENT DOCUMENTS

6,243,892 B1	6/2001	Kelling		2003/0205593 A1	11/2003	Lavelle	
6,298,993 B1	10/2001	Kalozdi		2004/0155077 A1	8/2004	Cullen et al.	
D457,307 S *	5/2002	Pukall	D3/216	2005/0236002 A1	10/2005	Cooley	
6,493,891 B1	12/2002	Livingston		2006/0032881 A1	2/2006	Price	
D506,607 S *	6/2005	Fonfeder	D3/216	2006/0090975 A1	5/2006	Brock et al.	
D510,660 S *	10/2005	Suppencig	D3/246	2006/0105137 A1	5/2006	Kouts	
7,225,483 B1	6/2007	Remblad		2006/0283205 A1	12/2006	Carriere	
7,350,252 B2	4/2008	Telegadis et al.		2007/0113338 A1	5/2007	Remblad	
7,374,071 B2	5/2008	Lavelle		2007/0187444 A1	8/2007	Hajari	
7,735,170 B1	6/2010	Emerson		2007/0214613 A1	9/2007	Shiao	
7,761,944 B2	7/2010	Skophammer		2008/0054032 A1	3/2008	Jones	
7,797,774 B1	9/2010	Beyert		2009/0184143 A1	7/2009	Witt et al.	
D641,973 S *	7/2011	Quehl	D3/217	2010/0032459 A1	2/2010	Clark et al.	
7,971,764 B2 *	7/2011	Sabbah	A45C 13/02 224/650	2010/0059558 A1	3/2010	Robinson et al.	
8,001,803 B2	8/2011	Kanagaki		2011/0127815 A1	6/2011	Nickerson	
3,061,547 A1	11/2011	Camp, Jr.		2011/0240703 A1	10/2011	Tobin et al.	
8,151,389 B1	4/2012	Lando		2011/0314608 A1	12/2011	Rovin	
D674,183 S *	1/2013	Iacchetti	D3/216	2012/0031935 A1	2/2012	Cook	
8,490,230 B2	7/2013	Rovin		2012/0103480 A1	5/2012	Veleno et al.	
8,578,526 B1	11/2013	Rosso		2013/0001262 A1	1/2013	Razavi	
D699,944 S *	2/2014	Mather	D3/216	2013/0015217 A1	1/2013	Perez	
D713,139 S *	9/2014	Ford	D3/217	2013/0277407 A1 *	10/2013	Murdoch	A45F 3/04 224/639
9,144,290 B1	9/2015	Hall		2013/0287905 A1	10/2013	Loisel	
9,771,183 B1	9/2017	Oliver		2014/0091007 A1	4/2014	Garside	
D836,326 S *	12/2018	Skaff	D3/217	2015/0076182 A1	3/2015	Coleman	
D860,639 S *	9/2019	Thibadeau	D3/217	2015/0083764 A1	3/2015	Houston et al.	
2002/0084197 A1	7/2002	Carbonneau		2016/0242519 A1	8/2016	Calman et al.	
2003/0024960 A1	2/2003	Greenstein et al.		2017/0000243 A1	1/2017	Seuk	
2003/0042277 A1	3/2003	Gulmatico		2018/0110318 A1	4/2018	Ackerman et al.	
				2018/0206650 A1	7/2018	Kong et al.	
				2019/0178571 A1	6/2019	Kelly	

* cited by examiner

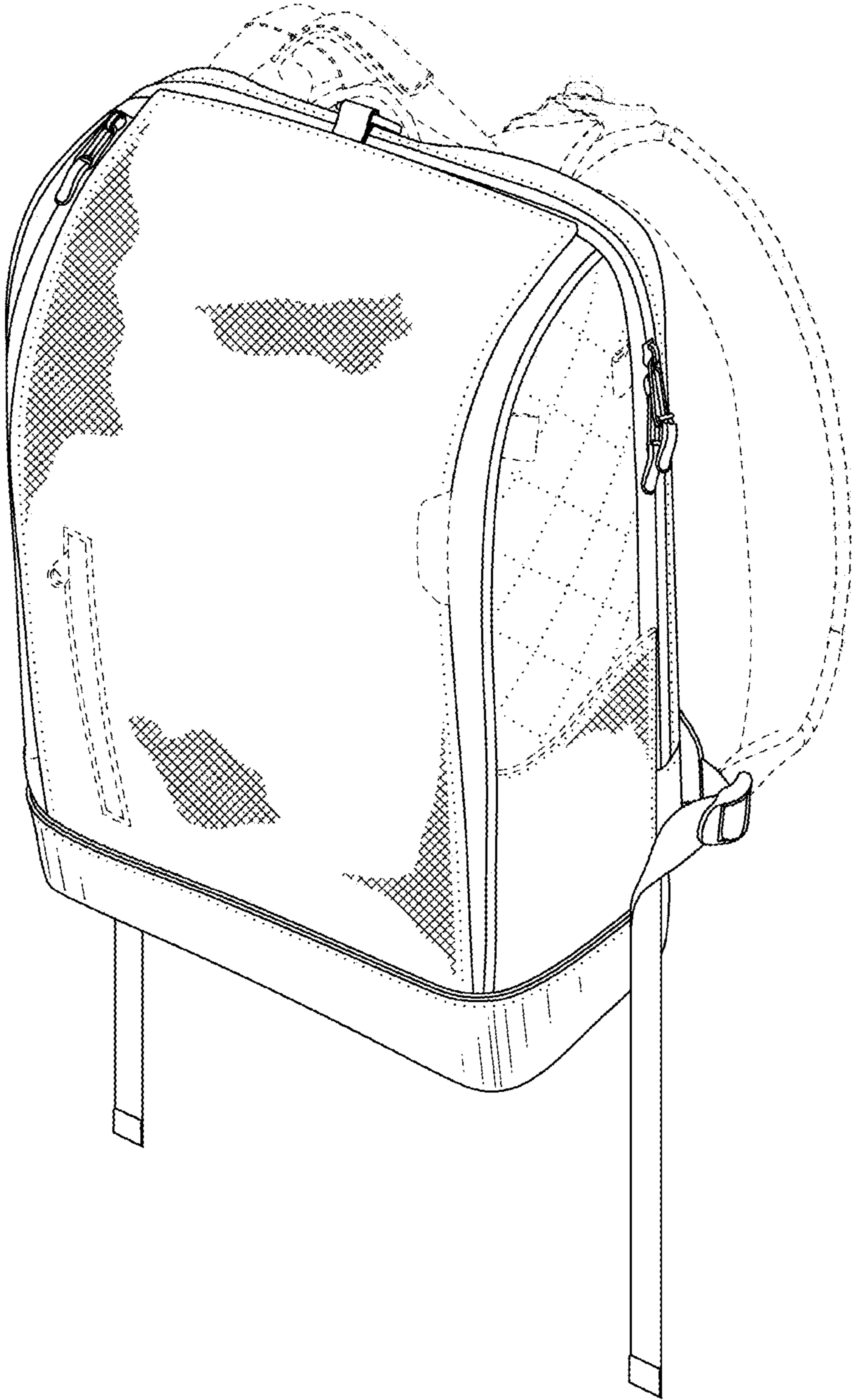


FIG. 1

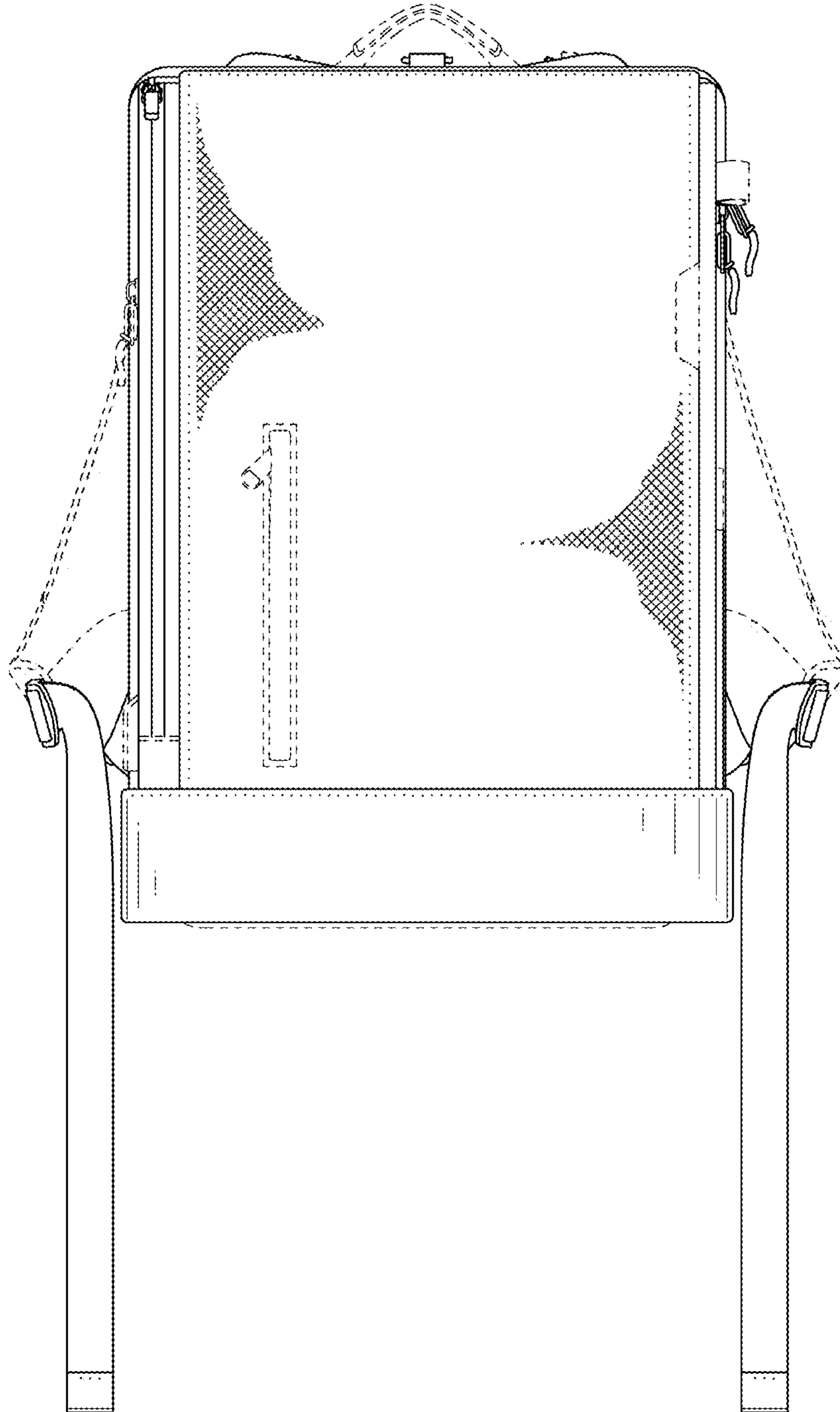


FIG. 2

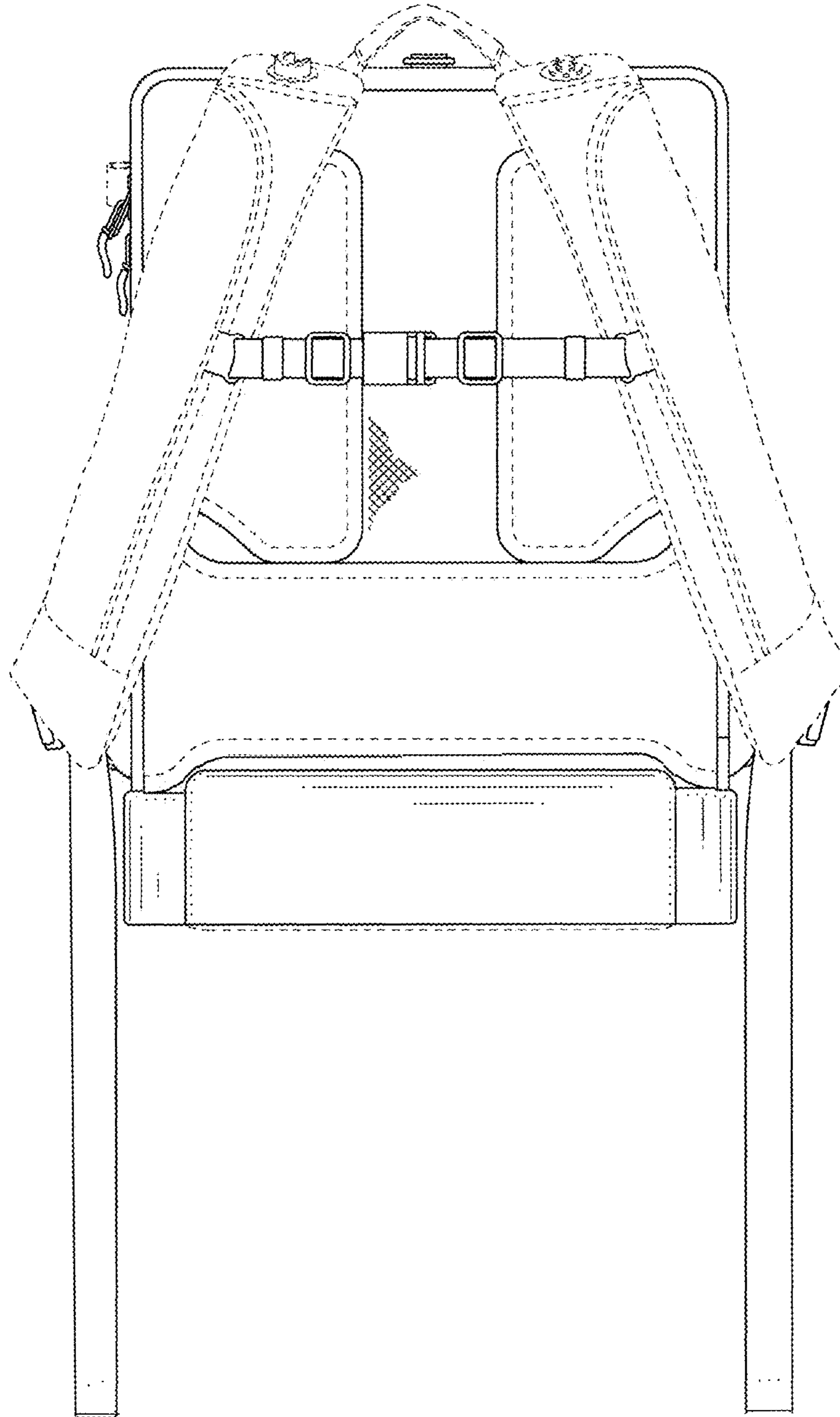


FIG. 3

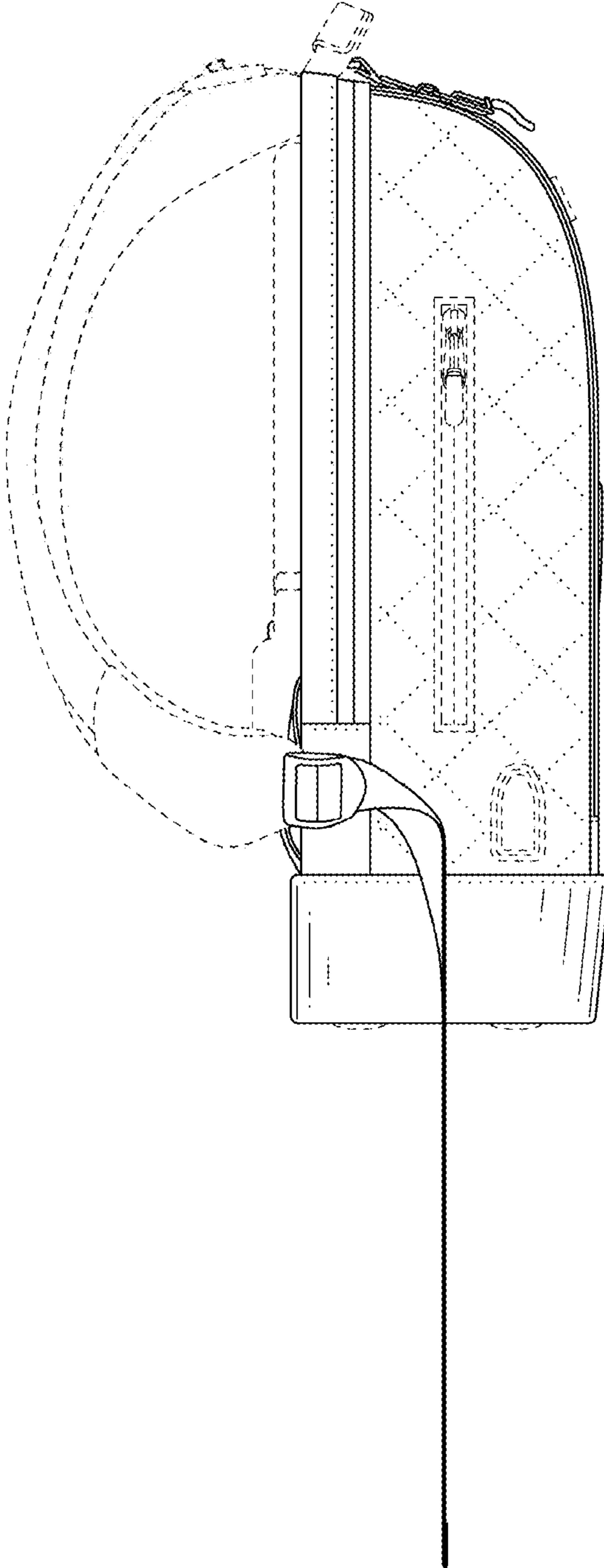


FIG.4

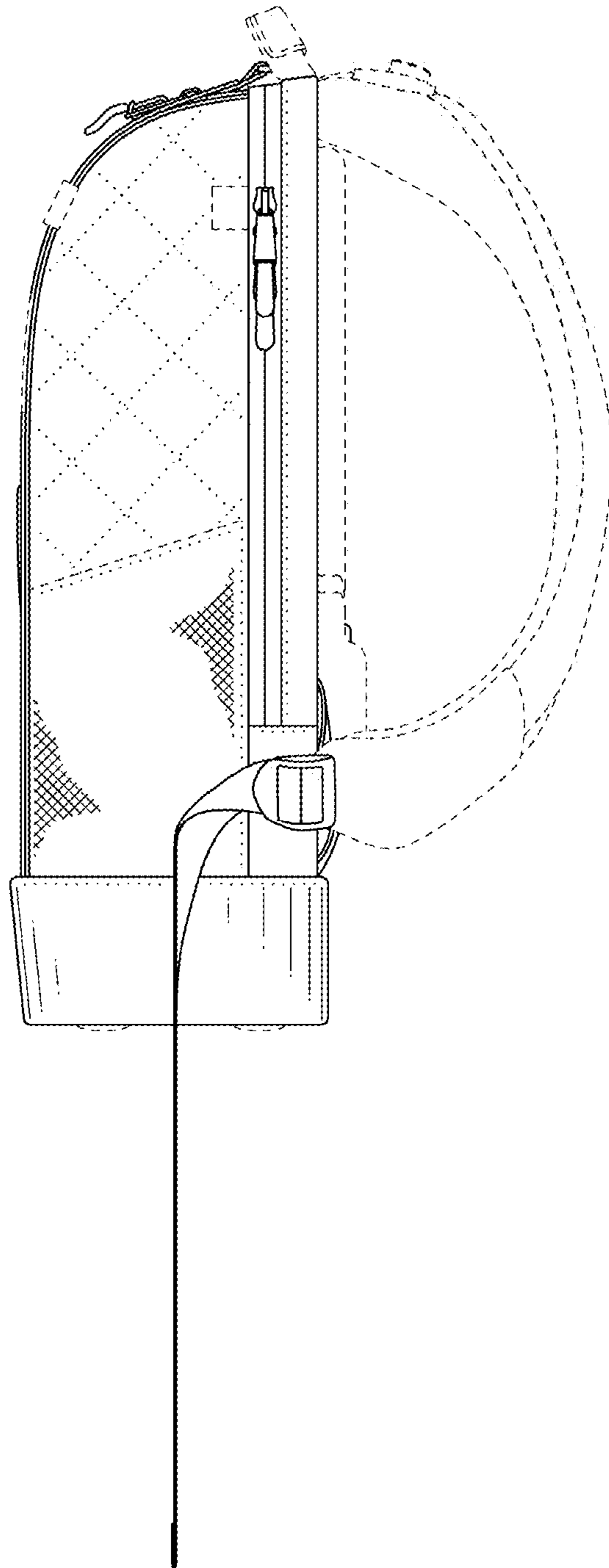


FIG. 5

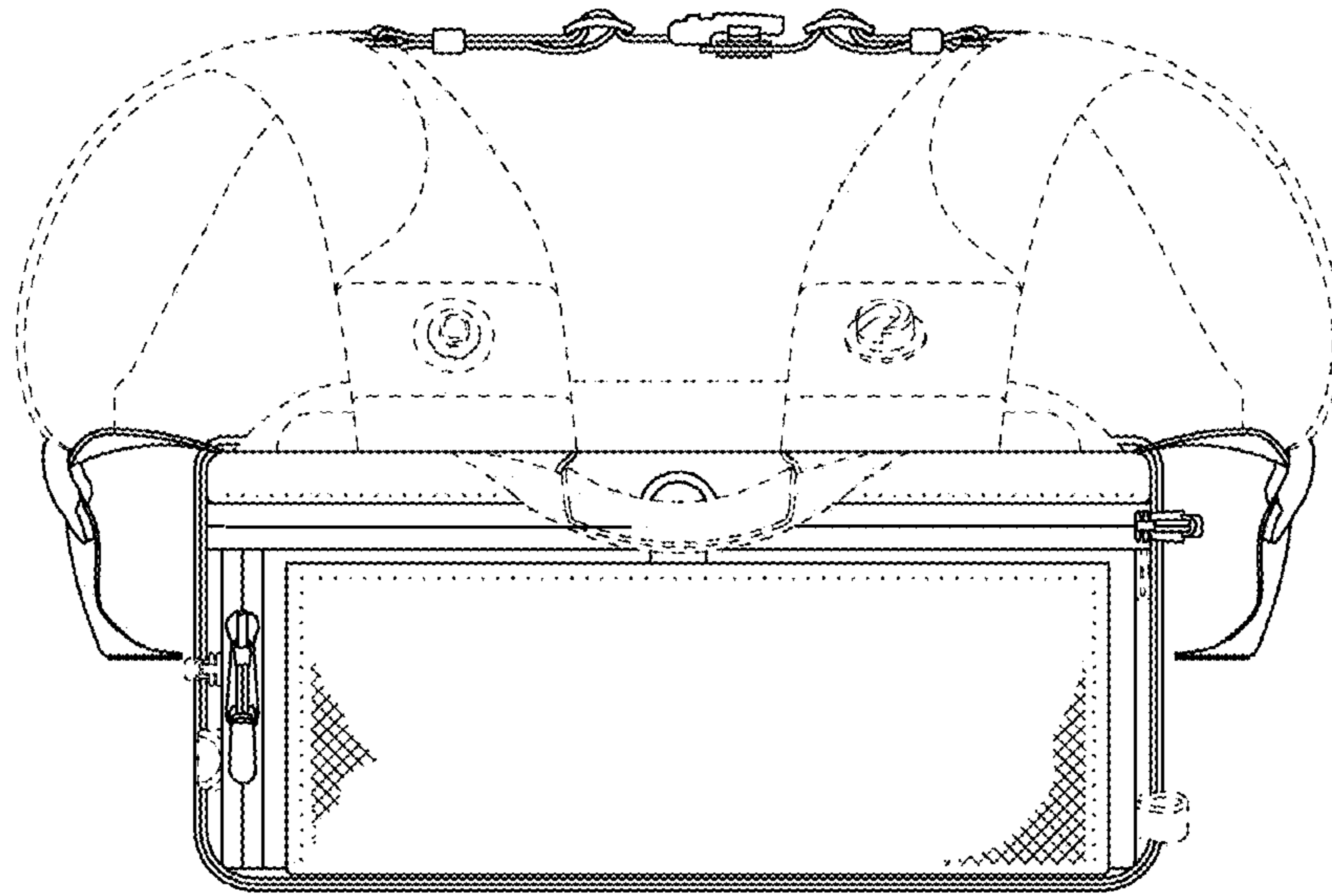


FIG. 6

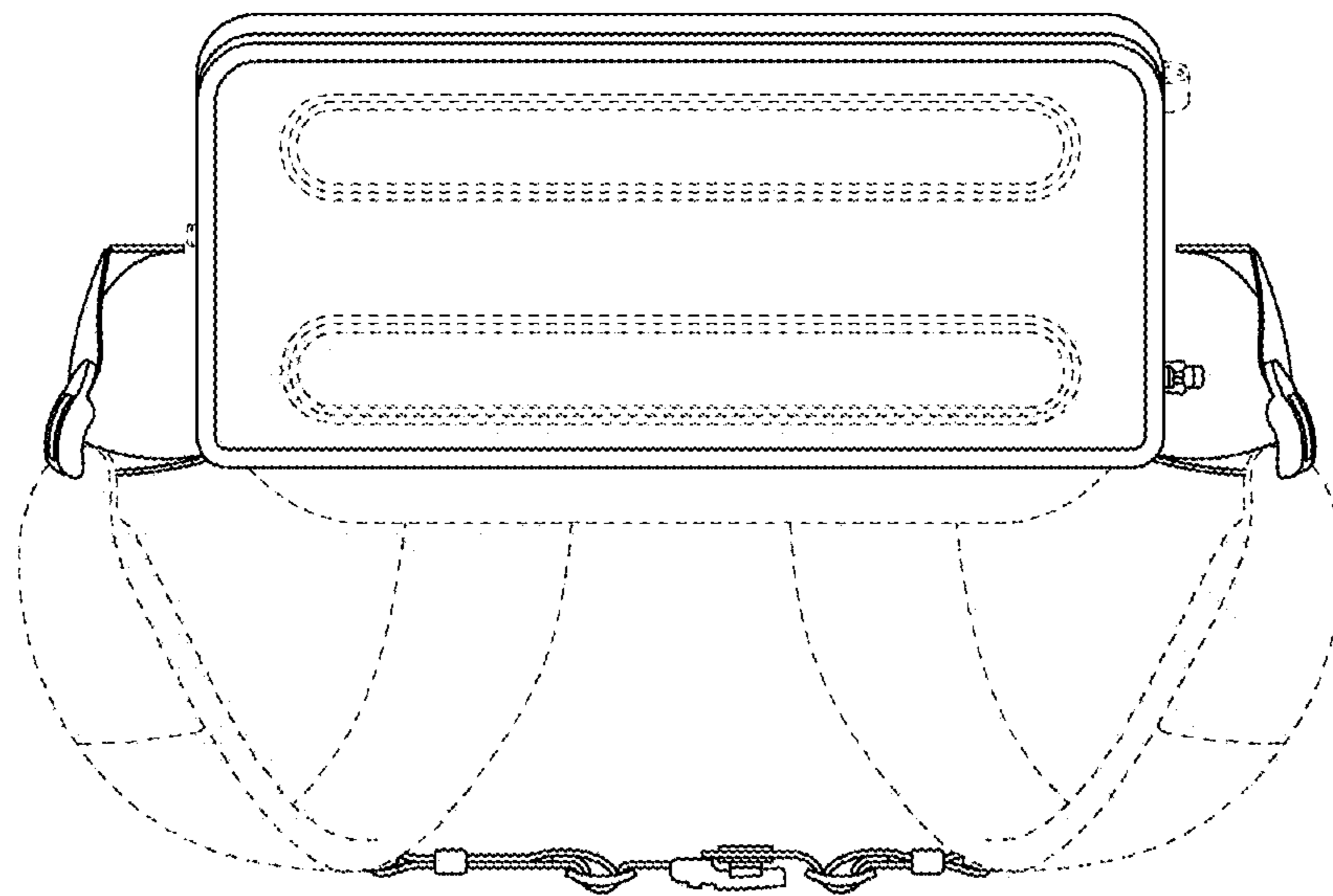


FIG. 7



FIG.8