



US00D901877S

(12) **United States Design Patent** (10) **Patent No.:** **US D901,877 S**
Tan (45) **Date of Patent:** **** Nov. 17, 2020**

(54) **BACKPACK FOR A ONE-WHEELED HOVER BOARD**

(71) Applicant: **Sing Ann Andrew Tan**, Singapore (SG)

(72) Inventor: **Sing Ann Andrew Tan**, Singapore (SG)

(**) Term: **15 Years**

(21) Appl. No.: **29/660,442**

(22) Filed: **Aug. 21, 2018**

(51) **LOC (12) Cl.** **03-01**

(52) **U.S. Cl.**
USPC **D3/217; D3/269**

(58) **Field of Classification Search**
USPC **D3/216, 217, 274, 276, 279, 283, 289,**
D3/290, 321, 900, 902, 243, 226, 261,
D3/269

CPC . **A45F 3/04; A45F 3/047; A45C 15/00; A45C**
3/00; A63C 17/002

See application file for complete search history.

(56) **References Cited**

U.S. PATENT DOCUMENTS

| | | | | |
|-------------------|---------|----------|-------|------------|
| D455,897 S * | 4/2002 | Jones | | D3/217 |
| D607,640 S * | 1/2010 | Emile | | D3/216 |
| D638,623 S * | 5/2011 | Chen | | D3/204 |
| D660,585 S * | 5/2012 | McDonald | | D3/217 |
| D757,423 S * | 5/2016 | Blast | | D3/217 |
| 9,714,044 B2 * | 7/2017 | Taylor | | A45F 3/04 |
| D796,187 S * | 9/2017 | Bogue | | D3/217 |
| 2004/0238585 A1 * | 12/2004 | Scarano | | A45F 3/042 |
| | | | | 224/613 |
| 2015/0108194 A1 * | 4/2015 | Pino | | A45F 3/04 |
| | | | | 224/653 |
| 2016/0133239 A1 * | 5/2016 | Hook | | A45F 3/04 |
| | | | | 224/654 |

OTHER PUBLICATIONS

Craft & Ride, "Superow Backpack for Onewheel Pint™", First reviewed Nov. 4, 2019. (<https://craftandride.com/collections/bags-for-onewheel/products/superow-backpack-for-onewheel-pint>) (Year: 2019).*

Onewheel, "Onewheel Backpack", Accessed Mar. 26, 2020. (<https://onewheel.com/products/onewheel-backpack>) (Year: 2020).*

* cited by examiner

Primary Examiner — April Rivas

(74) *Attorney, Agent, or Firm* — Mitchell Law PLLC; Matthew W. Mitchell

(57) **CLAIM**

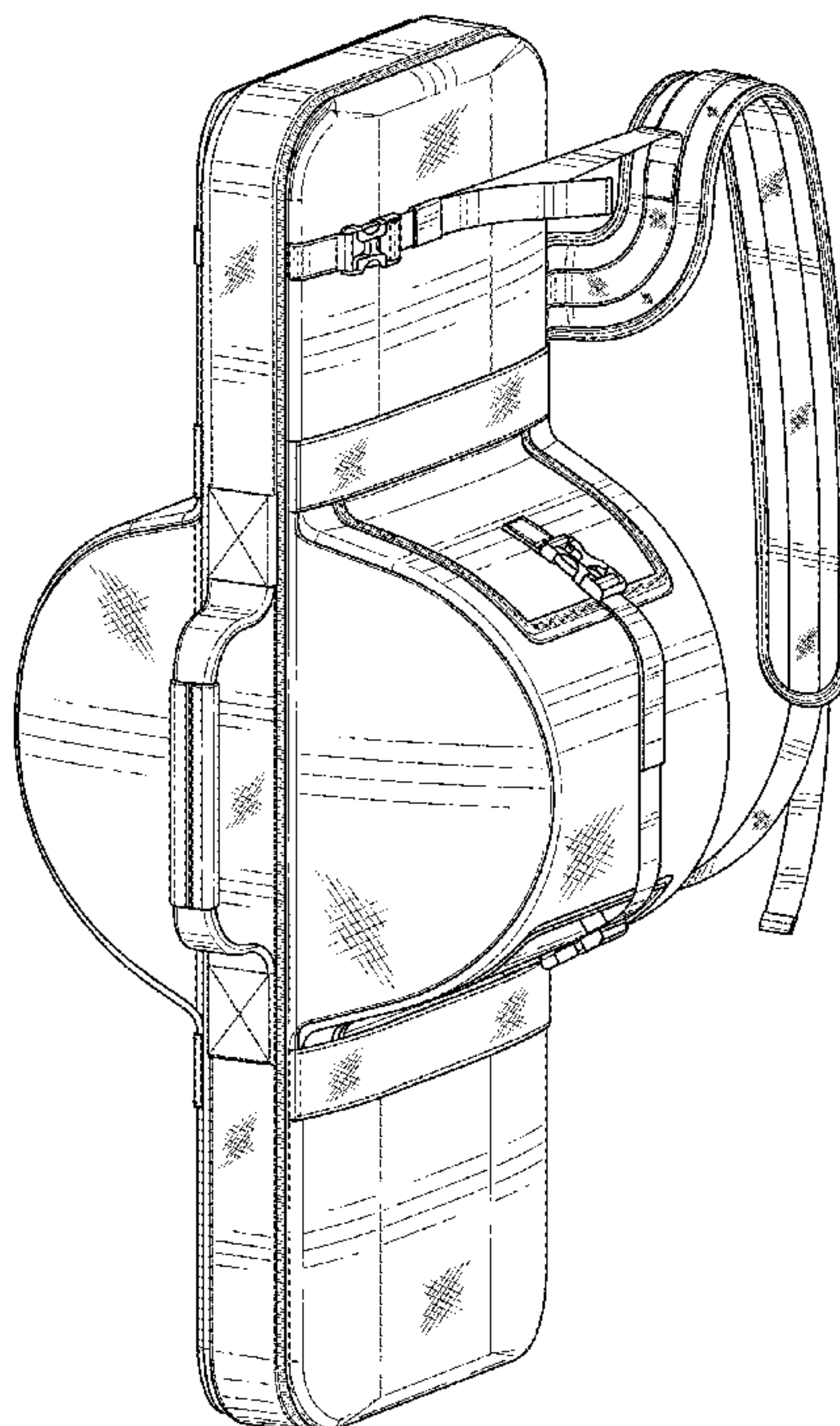
The ornamental design for a backpack for a one-wheeled hover board, as shown and described.

DESCRIPTION

FIG. 1 is a front isometric view of the backpack for a one-wheeled hover board of the present invention; FIG. 2 is a rear isometric view thereof; FIG. 3 is a front view thereof; FIG. 4 is a rear view thereof; FIG. 5 is a left-side view thereof; FIG. 6 is a right-side view thereof; FIG. 7 is a top plan view thereof; and, FIG. 8 is a bottom plan view thereof.

The broken lines illustrate portions of the backpack for a one wheeled hover board and form no part of the claimed design.

1 Claim, 8 Drawing Sheets



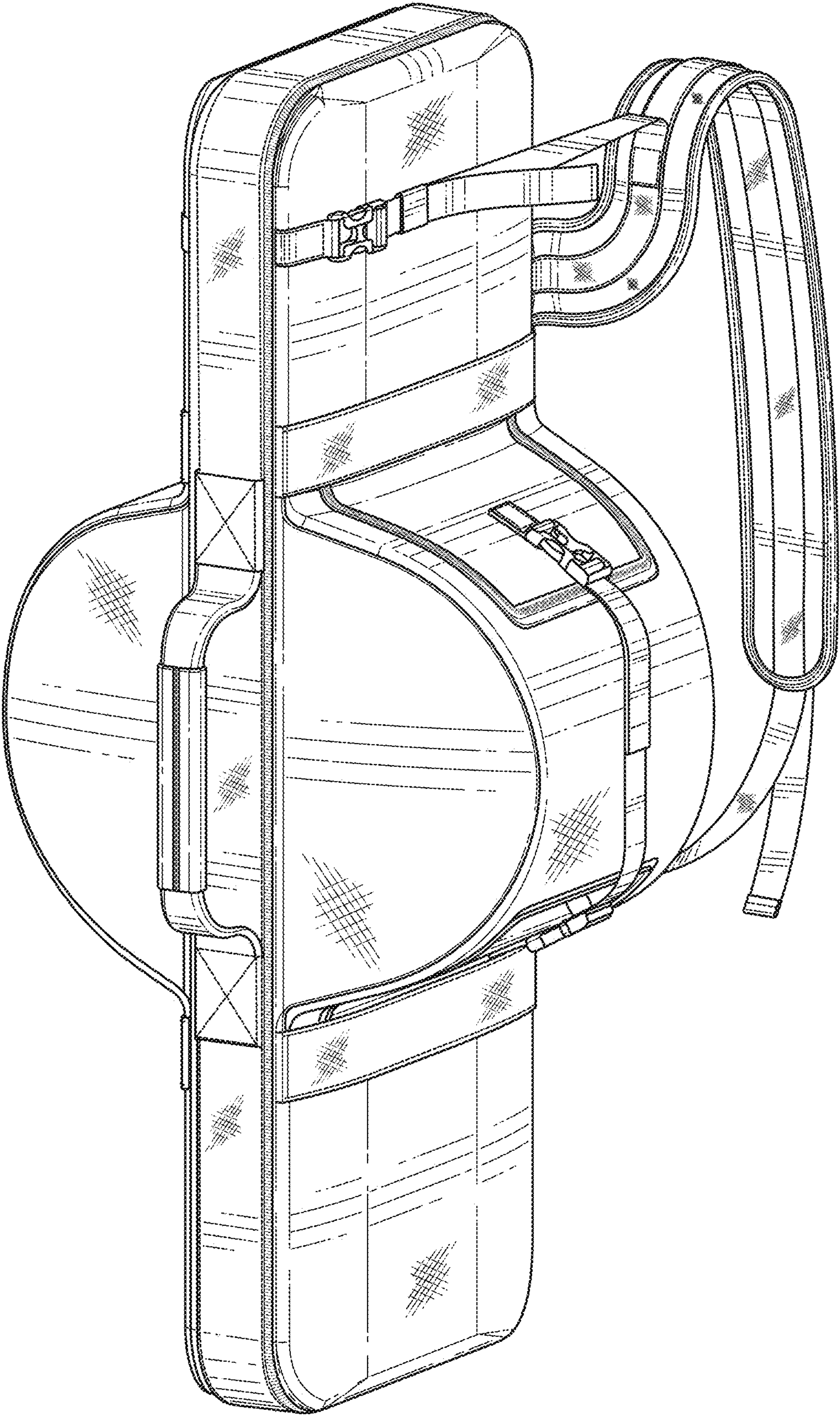


FIG. 1

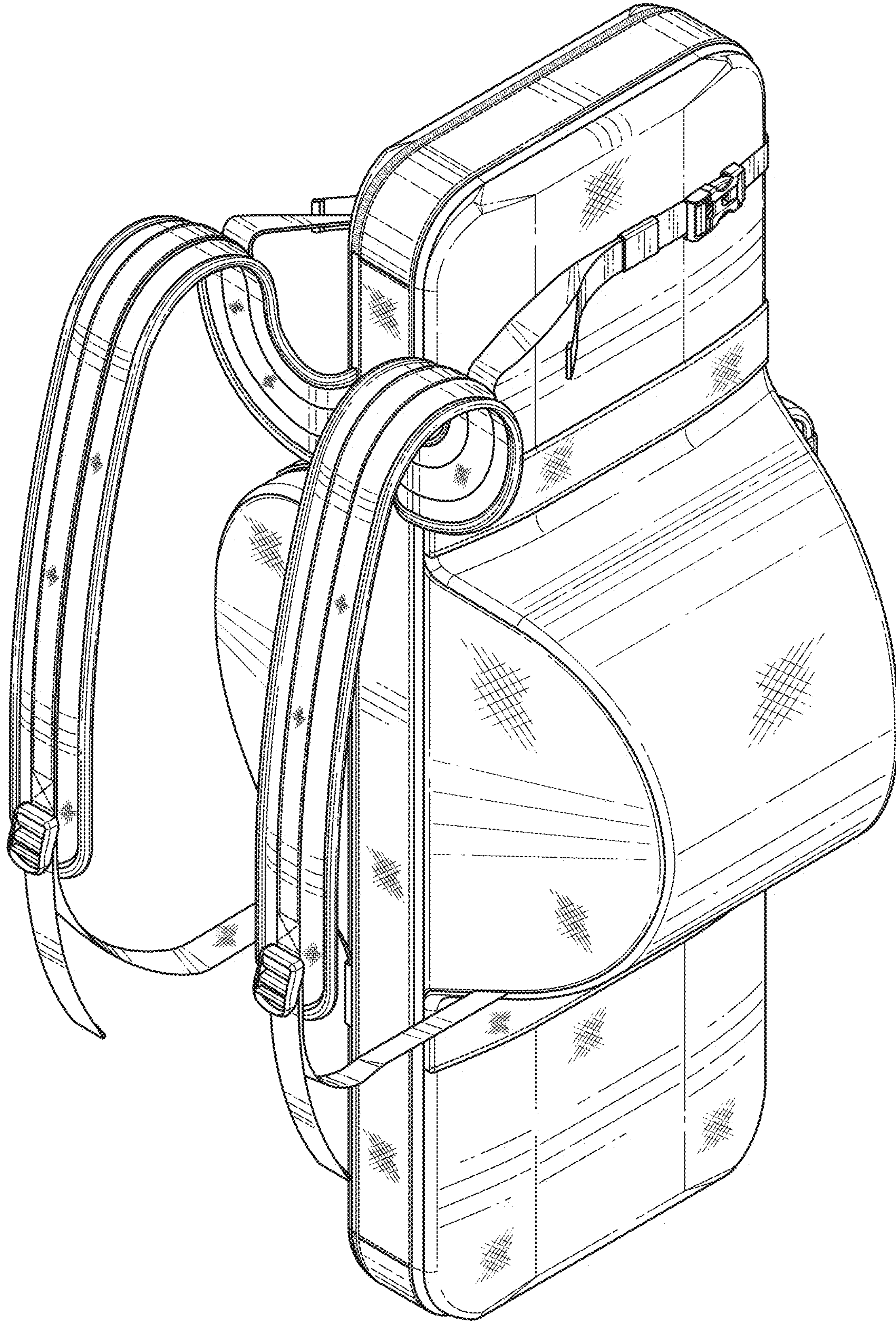


FIG. 2

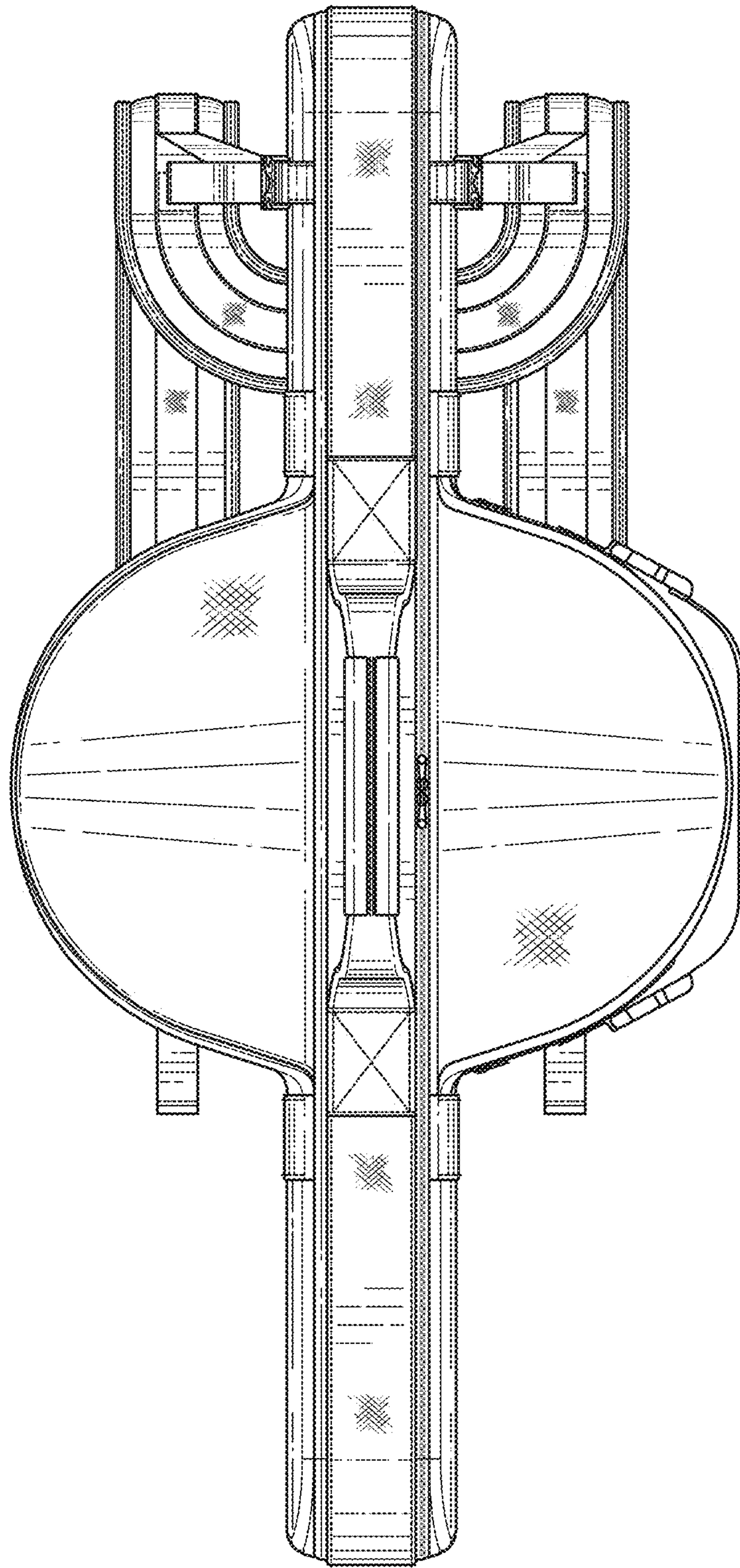


FIG. 3

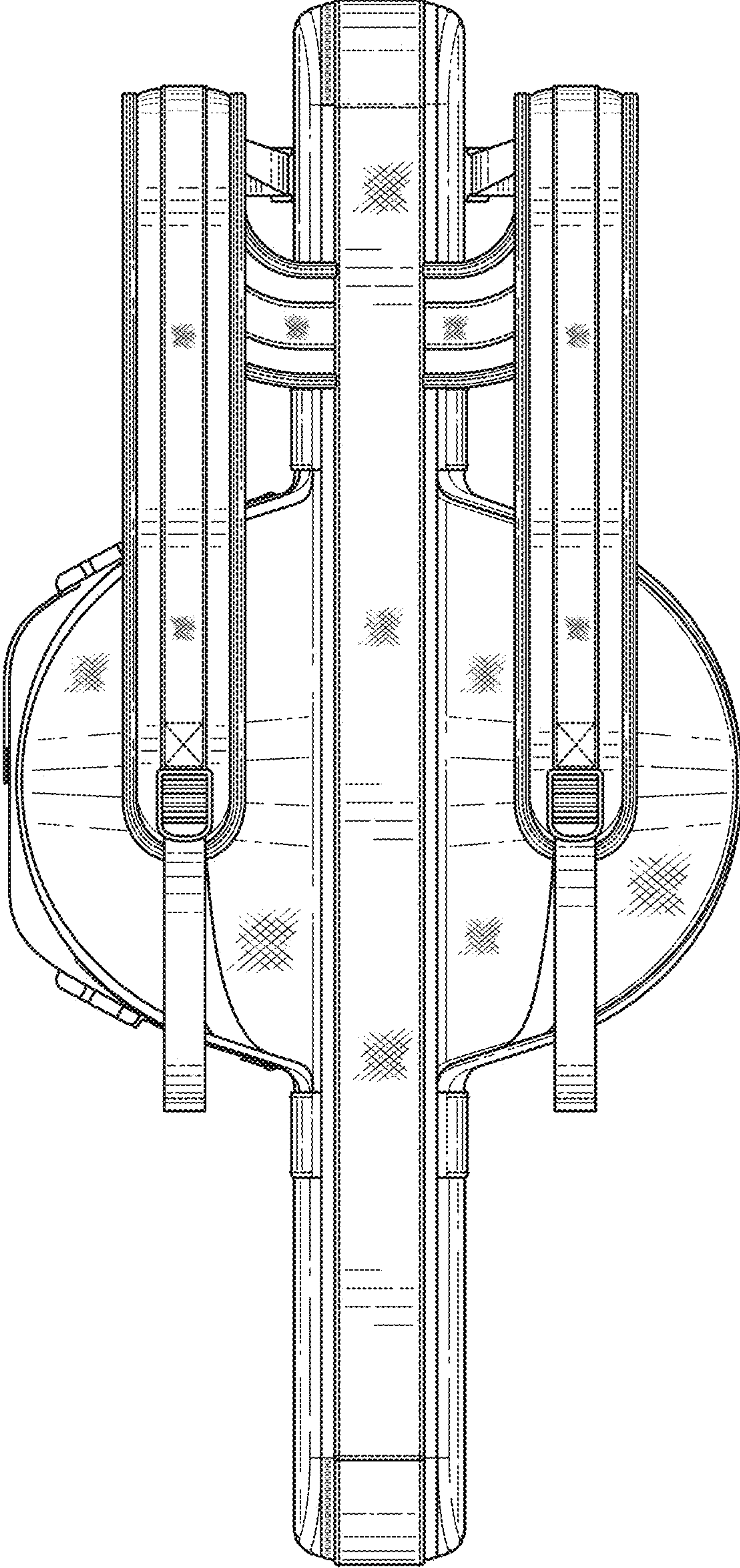


FIG. 4

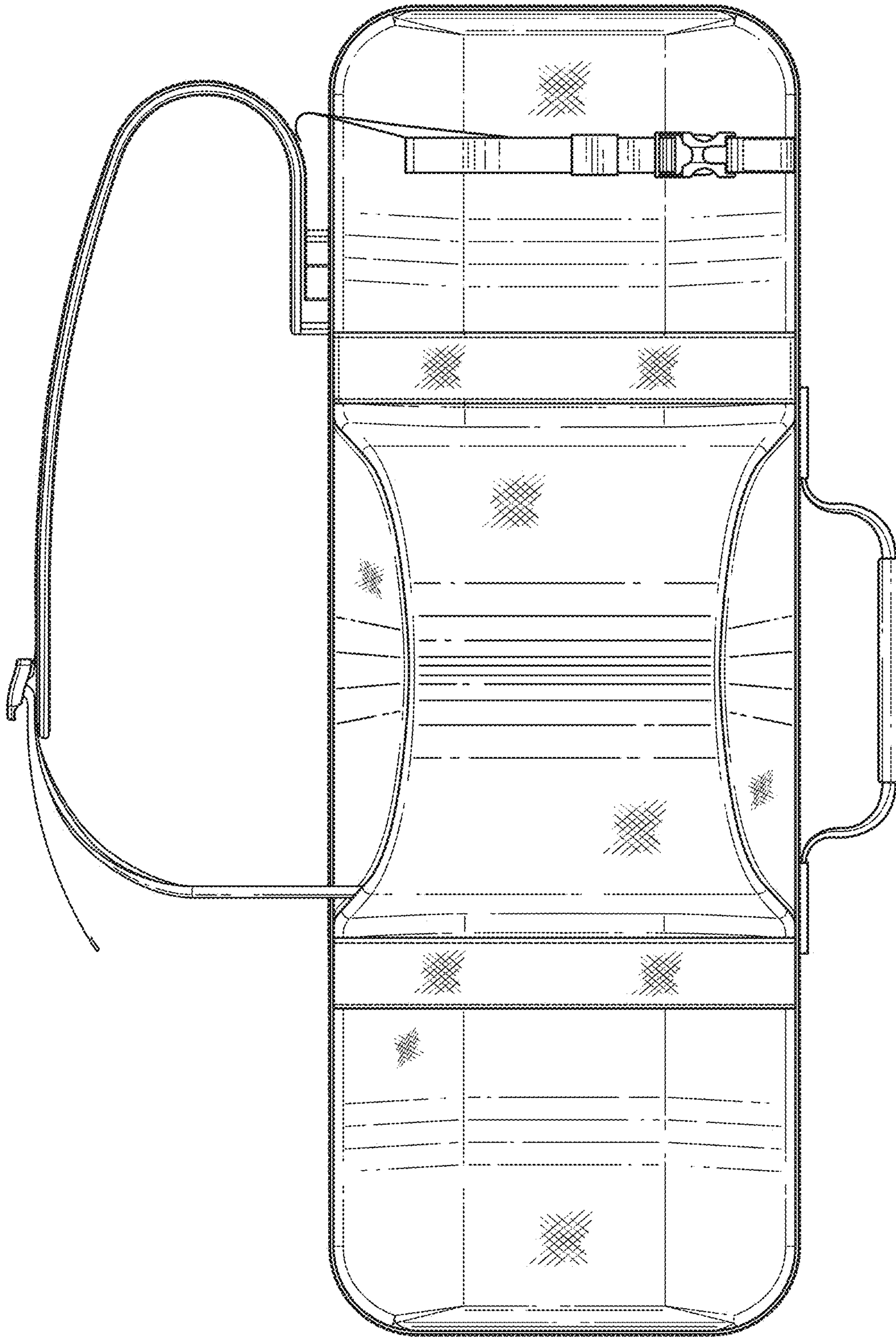


FIG. 5

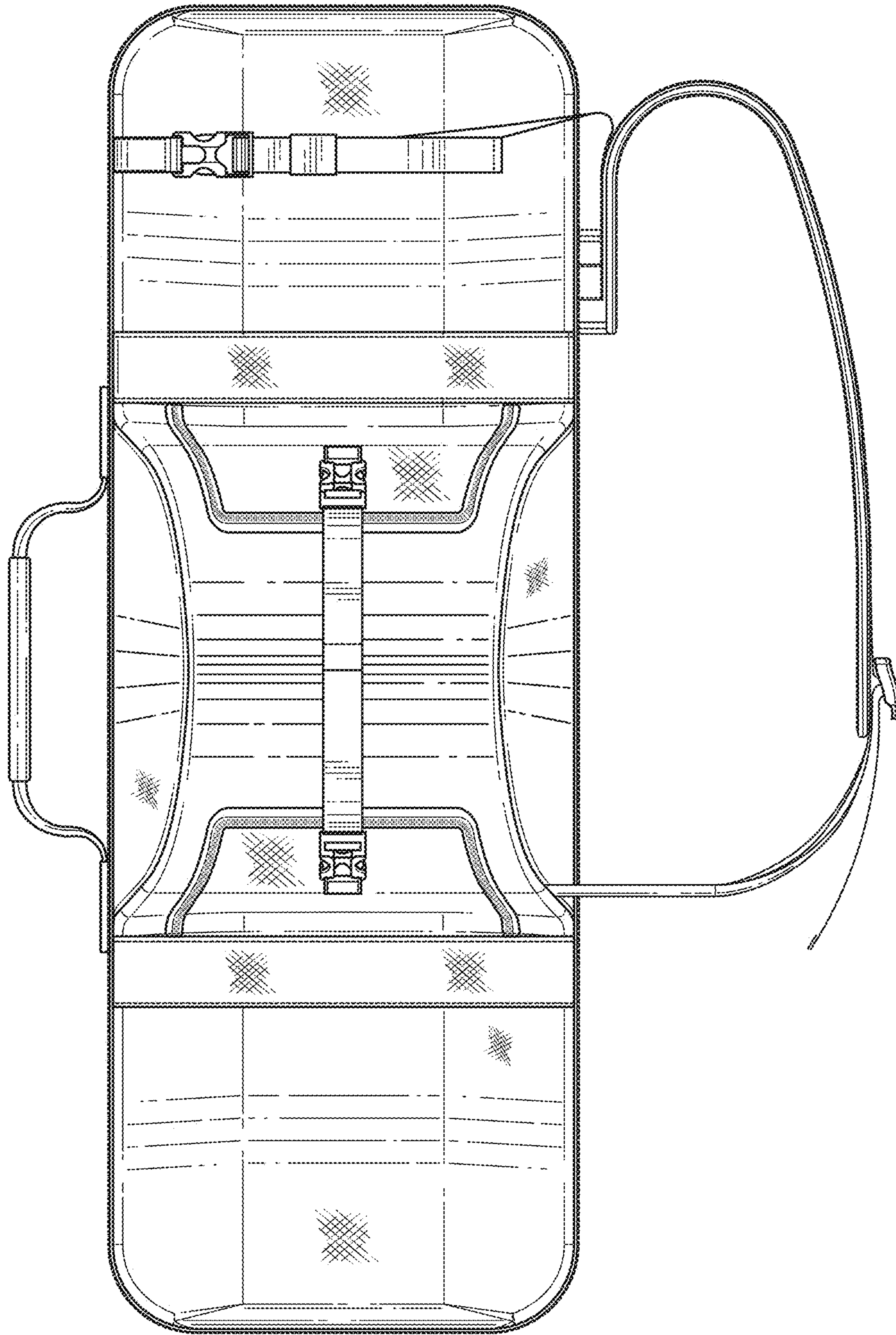


FIG. 6

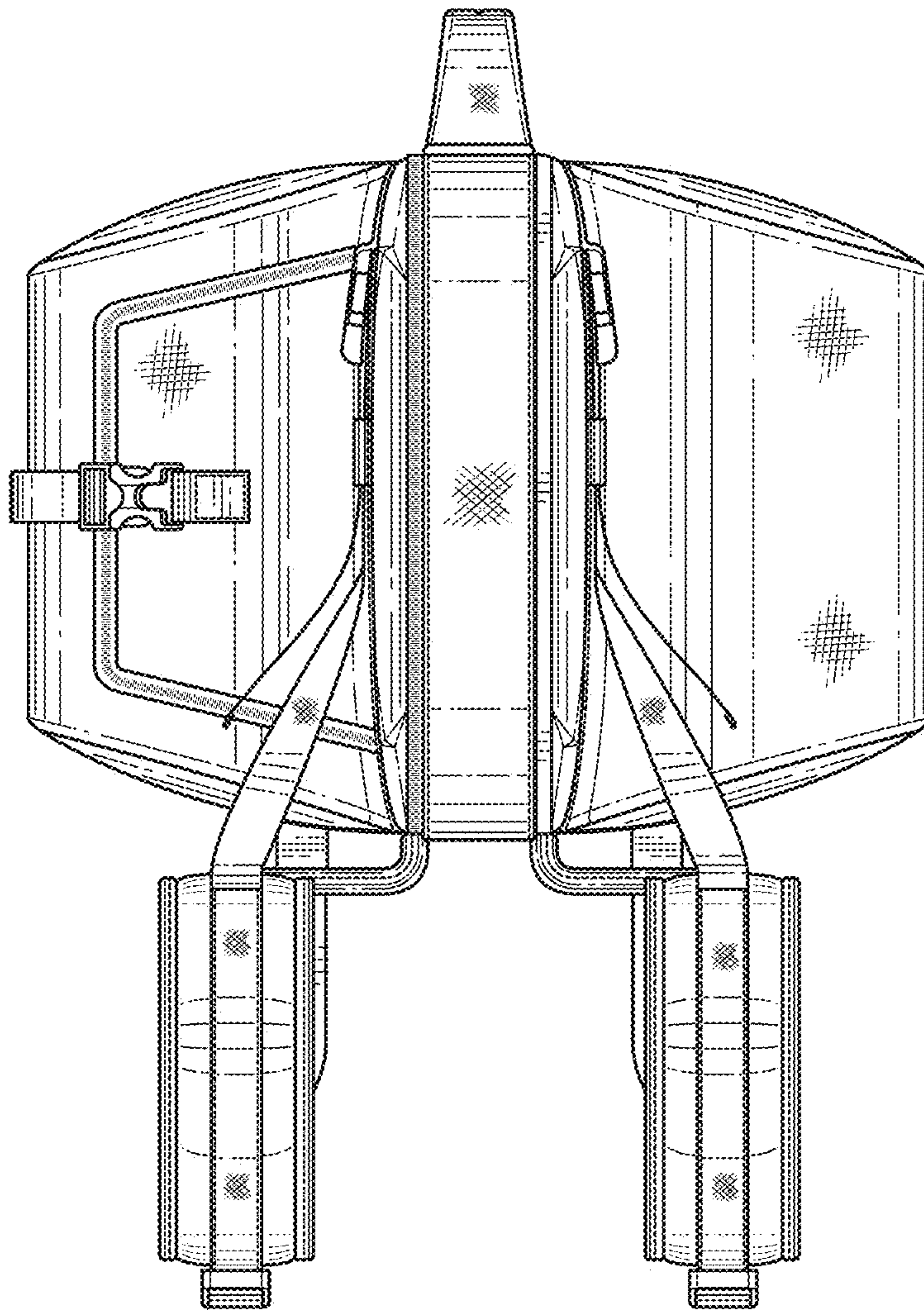


FIG. 7

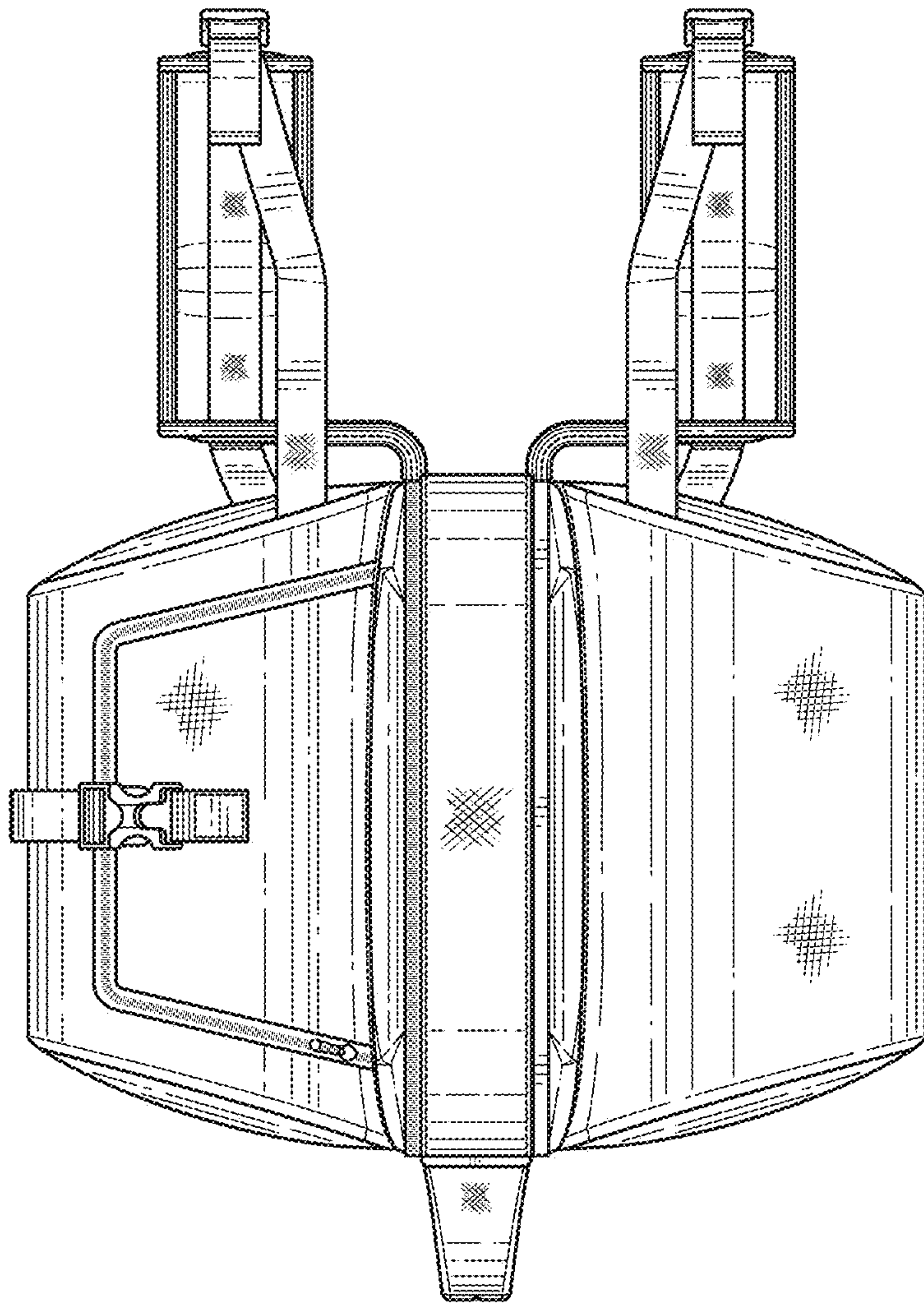


FIG. 8