



US00D901876S

(12) **United States Design Patent**
Seip et al.

(10) **Patent No.:** **US D901,876 S**

(45) **Date of Patent:** **** Nov. 17, 2020**

(54) **BAG**

(71) Applicant: **Skip Hop, Inc.**, New York, NY (US)

(72) Inventors: **Sierra Seip**, New York, NY (US); **Ellen Diamant**, New York, NY (US)

(73) Assignee: **SKIP HOP, INC.**, New York, NY (US)

(**) Term: **15 Years**

(21) Appl. No.: **29/660,425**

(22) Filed: **Aug. 21, 2018**

(51) **LOC (12) Cl.** **03-01**

(52) **U.S. Cl.**
USPC **D3/217**

(58) **Field of Classification Search**

USPC D3/216, 217, 274, 276, 279, 283, 289,
D3/290, 321, 900, 902, 243, 226
CPC . A45F 3/04; A45F 3/047; A45C 15/00; A45C
3/00

See application file for complete search history.

(56) **References Cited**

U.S. PATENT DOCUMENTS

D459,876 S	*	7/2002	Smith	D3/226
D520,747 S	*	5/2006	McClain	D3/290
D692,653 S	*	11/2013	Platt	D3/217
D696,014 S	*	12/2013	Ng	D3/243
D703,431 S	*	4/2014	Taylor	D3/243
D725,908 S	*	4/2015	Zwetzig	D3/283
D793,718 S	*	8/2017	Dumas	D3/217
D794,947 S	*	8/2017	Gavriel	D3/217
D836,334 S	*	12/2018	Chung	A45C 13/26 D3/243

OTHER PUBLICATIONS

Skip Hop, "Greenwich Convertible Backpack", First reviewed "A year ago". Accessed Mar. 27, 2020. (https://www.skiphop.com/skip-hop-diaper-bags-backpack/V_200606.html) (Year: 2019).*
Amazon, "Freshly Picked | Ebony Diaper Bag | Ebony Black", First reviewed Feb. 10, 2018. (<https://www.amazon.com/Freshly-Picked-Ebony-Diaper-Black/dp/B0774YRBBZ>) (Year: 2018).*

* cited by examiner

Primary Examiner — April Rivas

(74) *Attorney, Agent, or Firm* — Stephen J. Weyer, Esq.; James R. Hayne, Esq.; Stites & Harbison, PLLC

(57) **CLAIM**

The ornamental design for a bag, as shown and described.

DESCRIPTION

FIG. 1 is a perspective view taken from the front, left side, and top side of a first exemplary embodiment of the bag of the present design.

FIG. 2 is a front elevation view of the bag of FIG. 1.

FIG. 3 is a rear elevation view of the bag of FIG. 1.

FIG. 4 is a right side elevation view of the bag of FIG. 1.

FIG. 5 is a left side elevation view of the bag of FIG. 1.

FIG. 6 is a top plan view of the bag of FIG. 1.

FIG. 7 is a bottom plan view of the bag of FIG. 1; and,

FIG. 8 is a perspective view taken from the front, left side, and top side of the bag, shown with the main opening in an open position.

The dash-dash broken lines shown represent stitching and form part of the claimed design. Elements drawn in dash-dot-dash lines are included for illustrating portions of the bag, and form no part of the claimed design.

1 Claim, 8 Drawing Sheets





FIG. 1

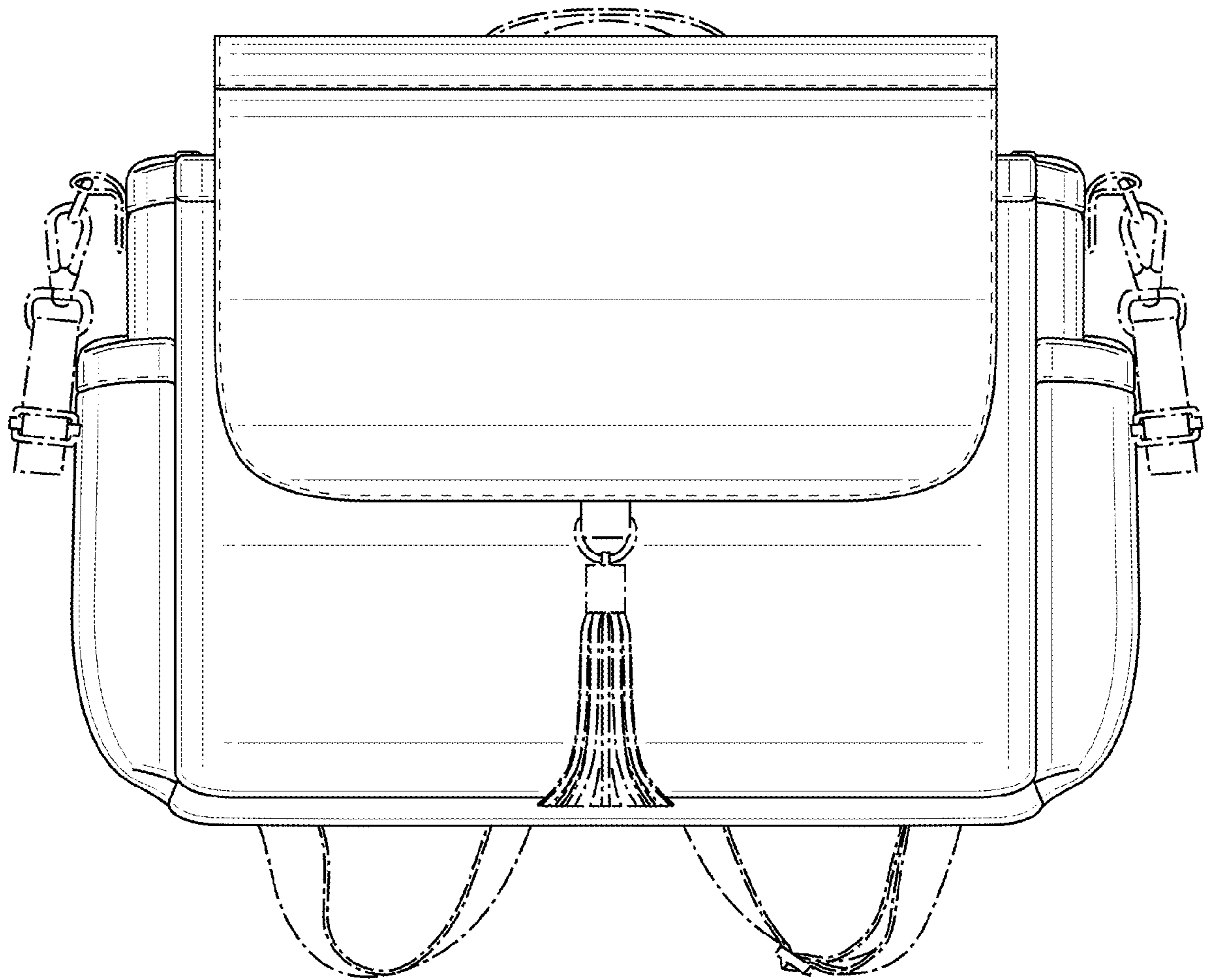


FIG. 2

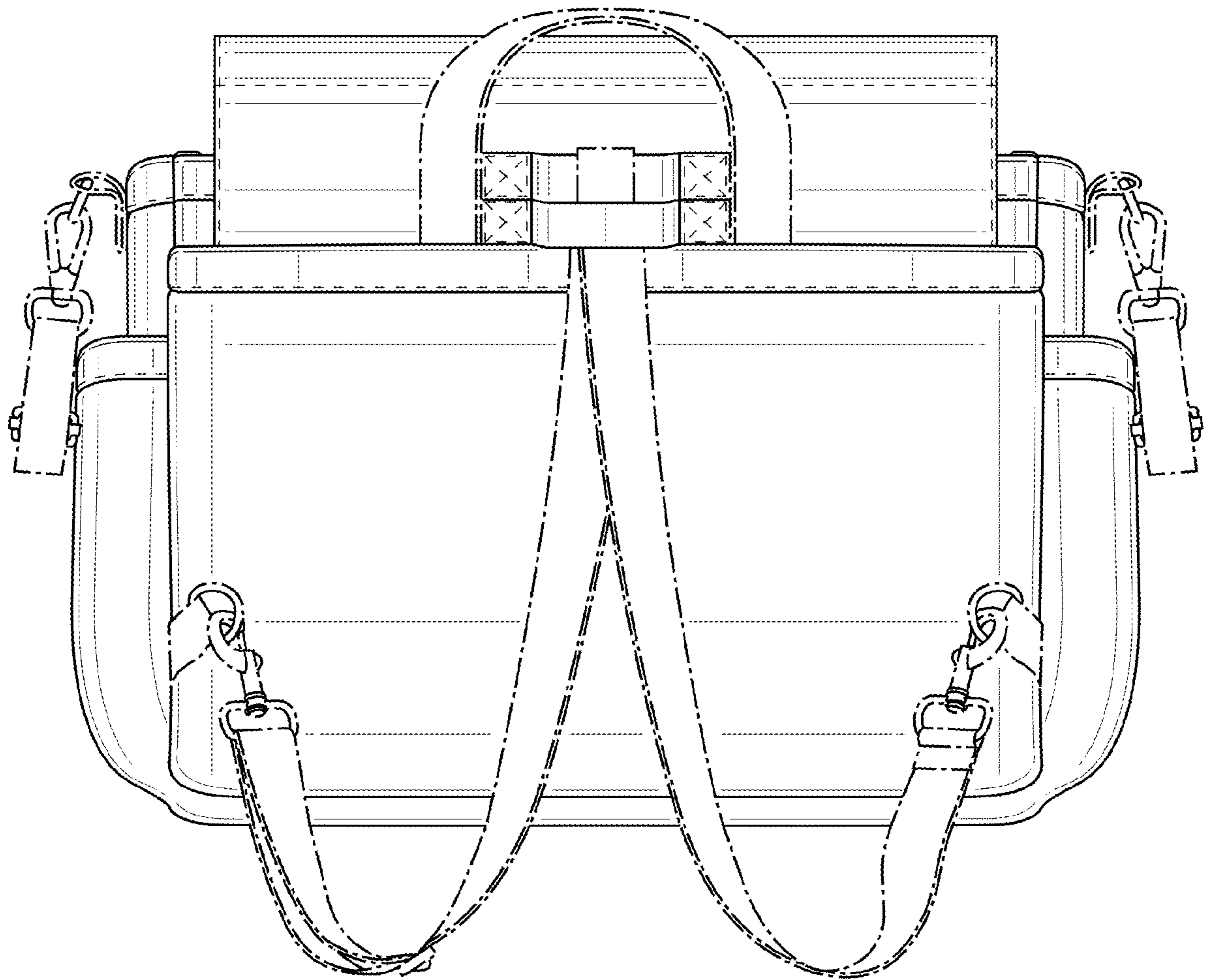


FIG. 3

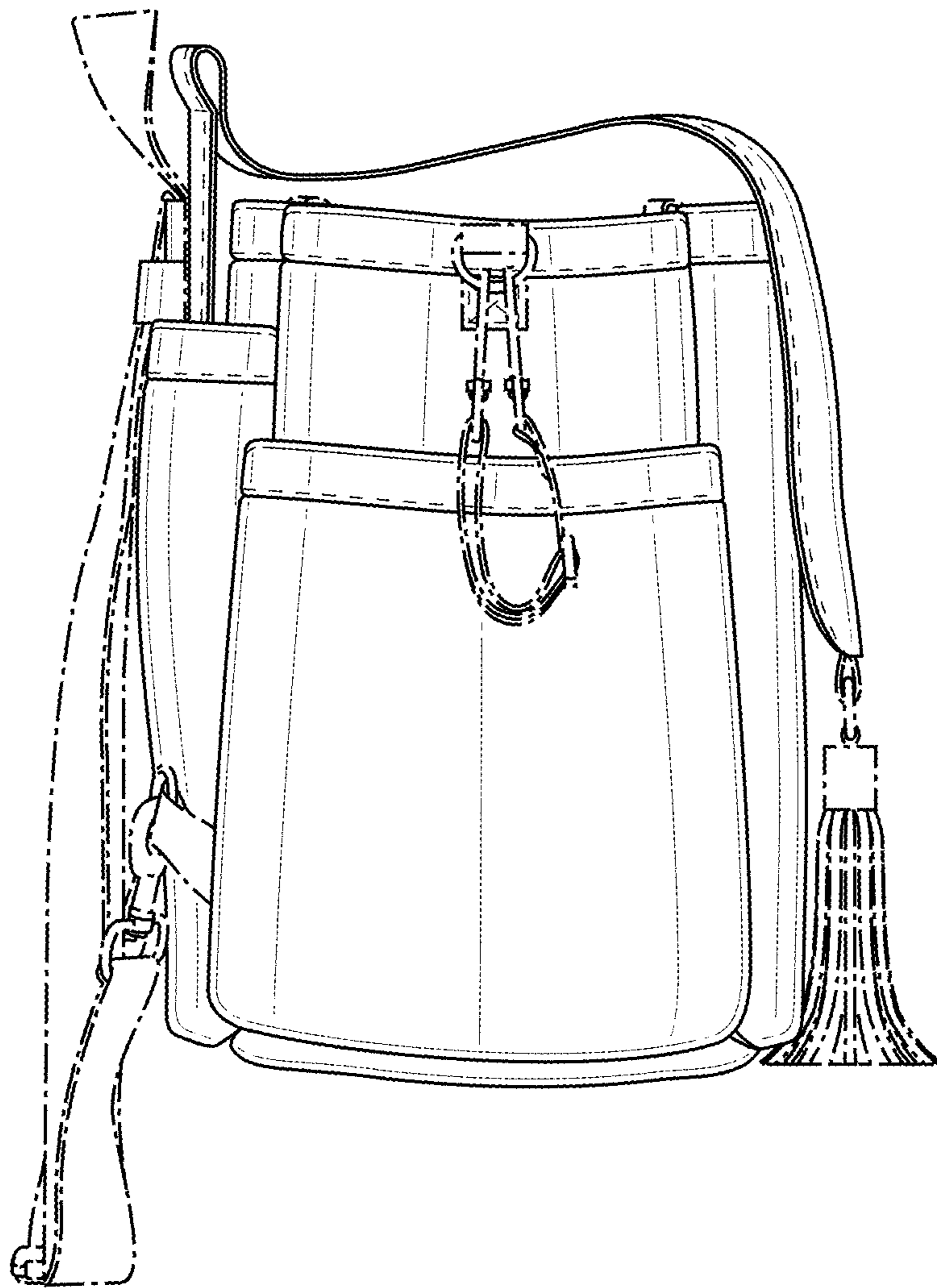


FIG. 4



FIG. 5

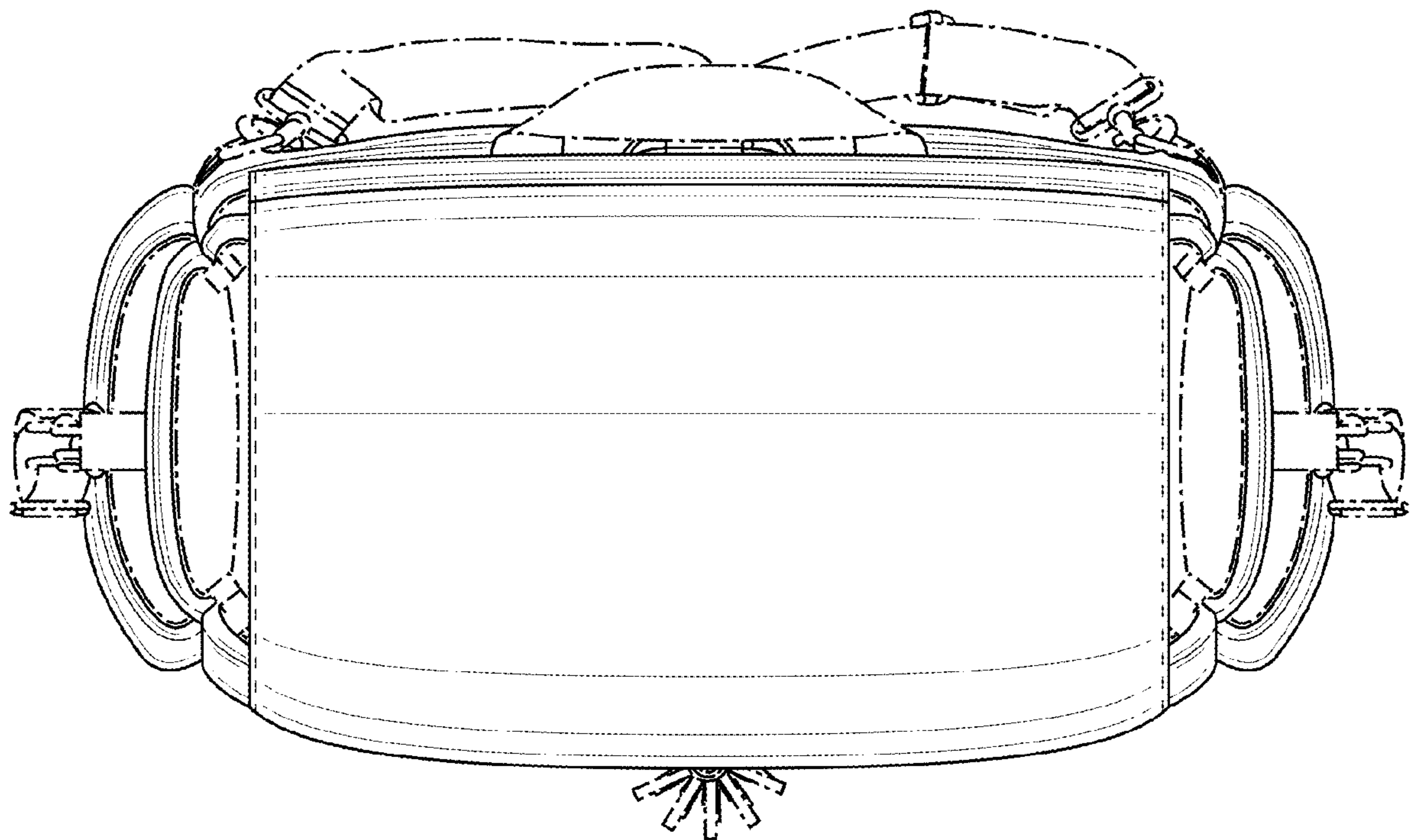


FIG. 6

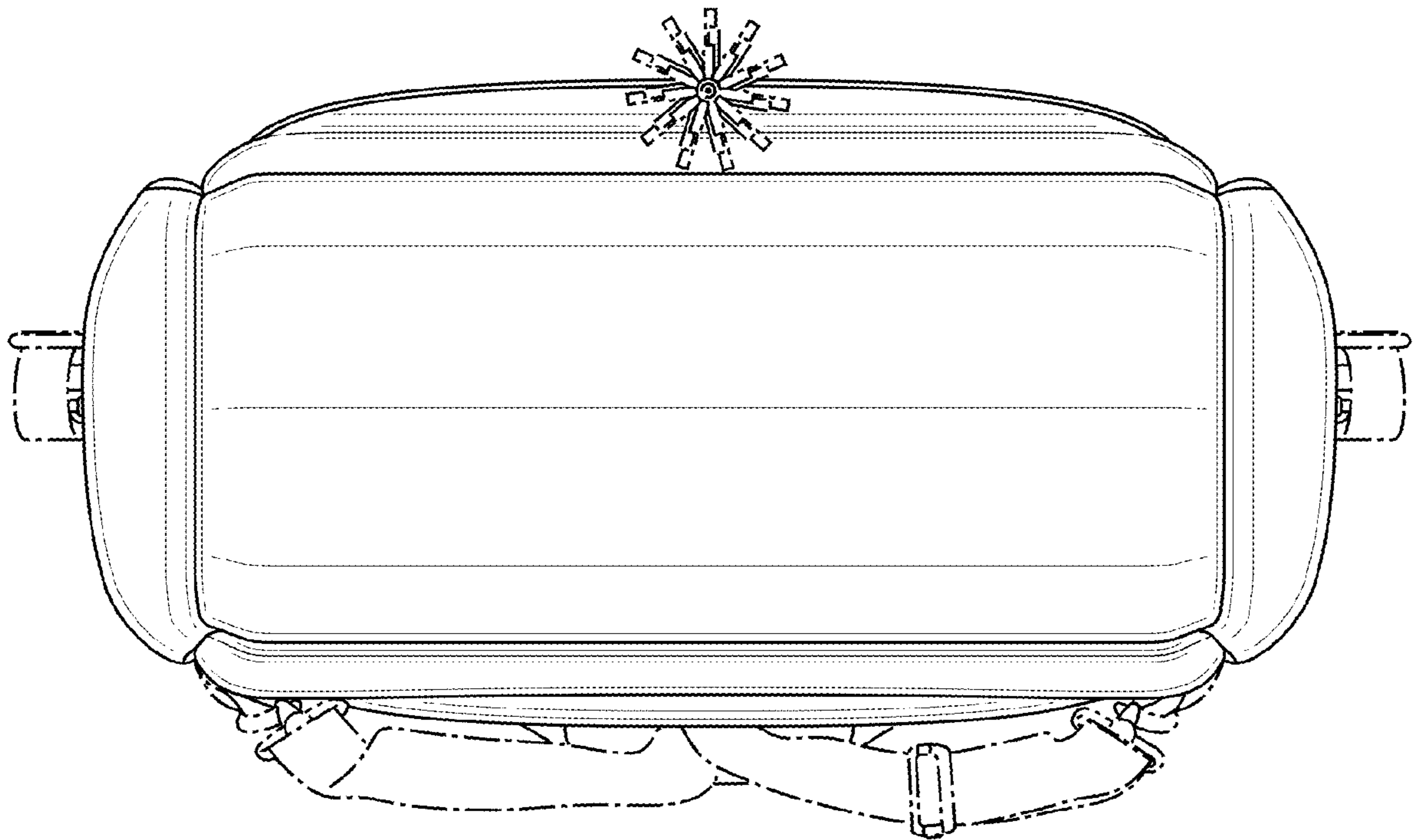


FIG. 7

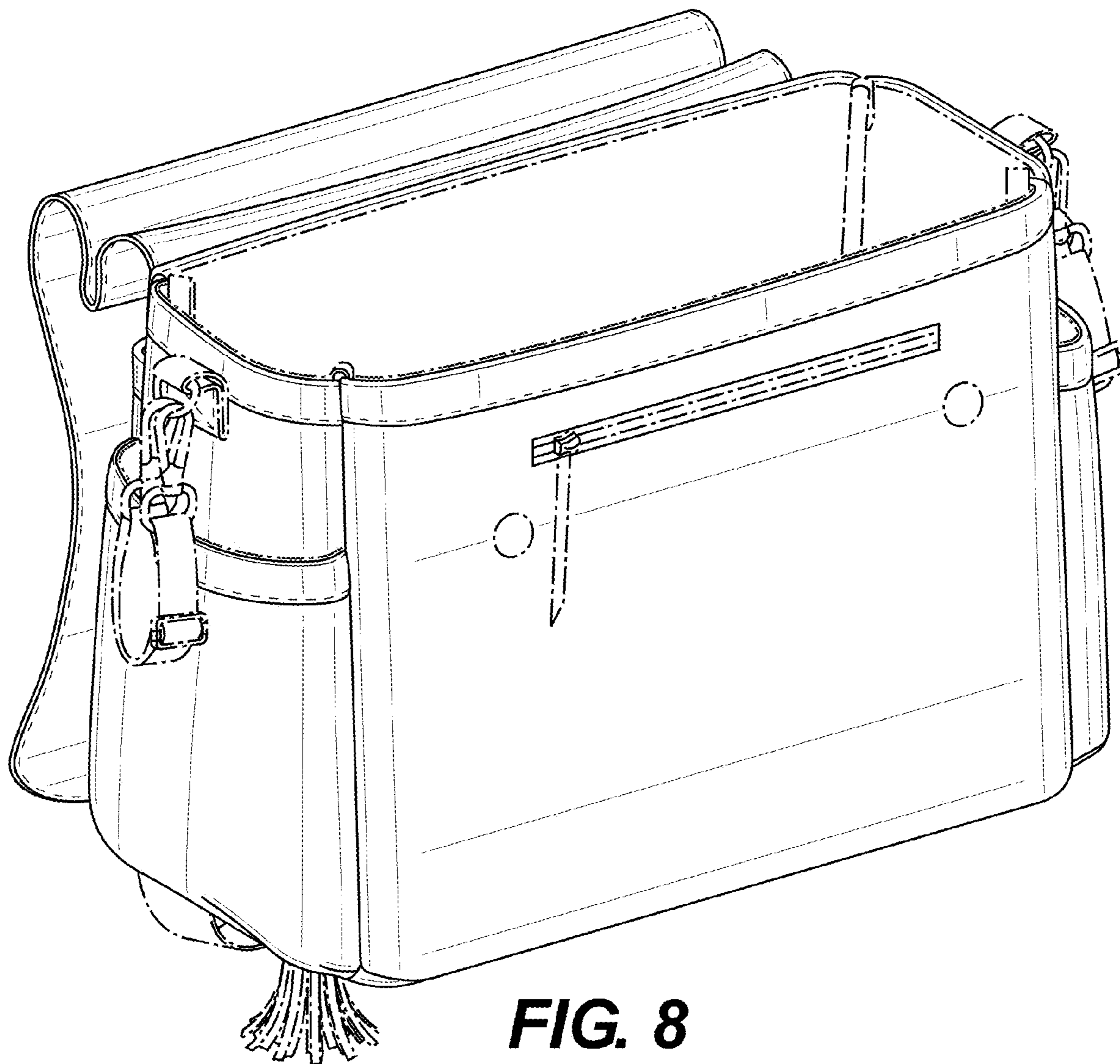


FIG. 8