



US00D901875S

(12) **United States Design Patent**
Yang et al.

(10) **Patent No.:** **US D901,875 S**

(45) **Date of Patent:** **** Nov. 17, 2020**

(54) **WIRELESS ENTRANCE SECURITY KEY**

(71) Applicant: **AMONSENSE CO., LTD.**, Cheonan-si (KR)

(72) Inventors: **Jin-Sung Yang**, Seoul (KR);
Byeong-An Yu, Gwangmyeong-si (KR)

(73) Assignee: **Amosense Co., Ltd.**, Cheonan-si (KR)

(**) Term: **15 Years**

(21) Appl. No.: **29/696,346**

(22) Filed: **Jun. 27, 2019**

(30) **Foreign Application Priority Data**

Dec. 27, 2018 (KR) 30-2018-0061975

(51) **LOC (12) Cl.** **03-01**

(52) **U.S. Cl.**
USPC **D3/208; D3/207**

(58) **Field of Classification Search**

USPC D3/207–212, 201, 215, 218, 226, 269,
D3/272, 273, 303; D11/14, 26–29,
D11/89–92, 44, 48, 81, 99; 63/26–28,
63/32; D8/16, 38, 347, 348; 70/456 B,
70/457, 458, 456 R; 206/37.1, 37, 305,
206/320; D14/434, 435, 435.1, 436, 439,
D14/480.3, 480.1, 480.5, 480.7;
D24/174, 173, 480.3

CPC A45C 11/32; A47G 29/10; A44B 15/00
See application file for complete search history.

(56) **References Cited**

U.S. PATENT DOCUMENTS

4,565,922 A * 1/1986 Anderson G06K 19/067
235/487
D287,027 S * 12/1986 Stiler D19/10
D364,502 S * 11/1995 Howard D3/207
D369,464 S * 5/1996 Williams D3/207
D370,119 S * 5/1996 McDaniel D3/208

D443,410 S * 6/2001 Soejanto D3/212
D456,600 S * 5/2002 Gadson D3/208
D461,047 S * 8/2002 Peterson D3/208

(Continued)

OTHER PUBLICATIONS

ATOZ ID card Tracker, Amosenseiot.com, [online], [site visited Jul. 12, 2020]. <URL: http://www.amosenseiot.com/products/button_atoz> (Year: 2020).*

(Continued)

Primary Examiner — T Chase Nelson

Assistant Examiner — Jonathan J. Han

(74) *Attorney, Agent, or Firm* — NSIP Law

(57) **CLAIM**

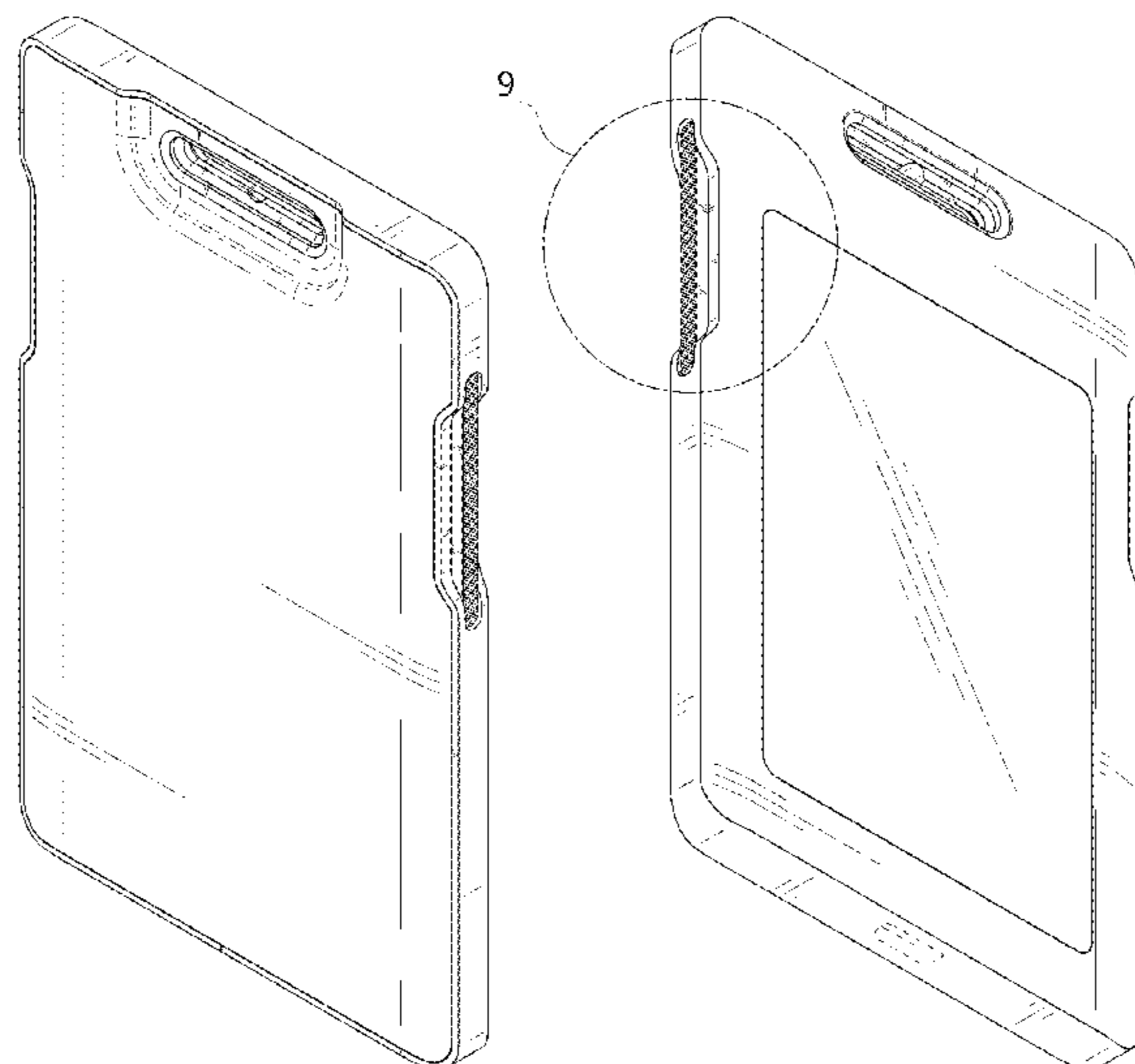
We claim the ornamental design for a wireless entrance security key, as shown and described.

DESCRIPTION

FIG. 1 is a front perspective view of a wireless entrance security key showing our new design; FIG. 2 is a front view thereof; FIG. 3 is a rear view thereof; FIG. 4 is a left-side view thereof; FIG. 5 is a right-side view thereof; FIG. 6 is a top view thereof; FIG. 7 is a bottom view thereof; FIG. 8 is a rear perspective view thereof; FIG. 9 is an enlarged side portion of the rear perspective view labeled “9” in the FIG. 8 view; and, FIG. 10 is an enlarged portion of the side view labeled “10” in the FIG. 4 view.

The dot-dash broken lines in the drawings are used to indicate areas of enlargement and form no part of the claimed design. The short dash-dash broken lines shown in the drawings are included for the purpose of illustrating portions of the wireless entrance security key that form no part of the claimed design.

1 Claim, 10 Drawing Sheets



(56)

References Cited

U.S. PATENT DOCUMENTS

D527,891 S * 9/2006 Hoeksema D3/207
 D535,992 S * 1/2007 Ozolins D14/383
 D553,850 S * 10/2007 Trower D3/208
 D554,363 S * 11/2007 Bates D3/207
 D558,199 S * 12/2007 Fiorentino D14/436
 D558,445 S * 1/2008 Phillips D3/208
 7,578,446 B2 * 8/2009 Yen G06K 19/077
 235/486
 D617,547 S * 6/2010 Mudrick D3/208
 D626,704 S * 11/2010 Rogers D30/155
 D634,117 S * 3/2011 Morrish D3/207
 D635,352 S * 4/2011 Himley D3/208
 D674,182 S * 1/2013 Copeland D3/208
 D702,692 S * 4/2014 Gallagher D14/436
 D702,693 S * 4/2014 Gallagher D14/436
 D724,311 S * 3/2015 Treska D3/218
 D798,041 S * 9/2017 Grewe D3/207
 D811,665 S * 2/2018 Doctor D29/113
 D854,535 S * 7/2019 Hyun D14/250
 D866,953 S * 11/2019 Zhipeng D3/207
 D888,720 S * 6/2020 Moore D14/440
 2012/0012659 A1 * 1/2012 Sugimoto E05B 19/046
 235/492

2013/0220842 A1 * 8/2013 Lazott A45C 11/18
 206/39.4
 2014/0078689 A1 * 3/2014 Paek H05K 7/02
 361/748
 2020/0060402 A1 * 2/2020 McCarty A45C 11/182
 2020/0079321 A1 * 3/2020 Lee G06K 7/10

OTHER PUBLICATIONS

ATOZ Button, Partners.Sigfox.com, Commercially available: Jun, 2019, [online], [site visited Jul. 12, 2020]. <URL: <https://partners.sigfox.com/products/atoz>> (Year: 2019).*

Replacement Key Card Case for Renault Key Fob Shell 2 Button without blade, Dhgate.com, [online], [site visited Jul. 12, 2020]. <URL: <https://www.dhgate.com/product/replacement-key-card-case-for-renault-laguna/415005318.html?skuid=467540083968614400#seo=WAP>> (Year: 2020).*

Hard Plastic Vertical—2 Side Load Multiple Card Badge Holder with Retractable Badge Reel. Amazon.com, Date First Available: Aug. 18, 2015, [online], [site visited Jul. 12, 2020]. <URL: https://www.amazon.com/Specialist-ID-Carabiner-Vertical-Holder/dp/B0143FAMK0?ref=fsclp_pl_dp_5> (Year: 2015).*

* cited by examiner

FIG. 1

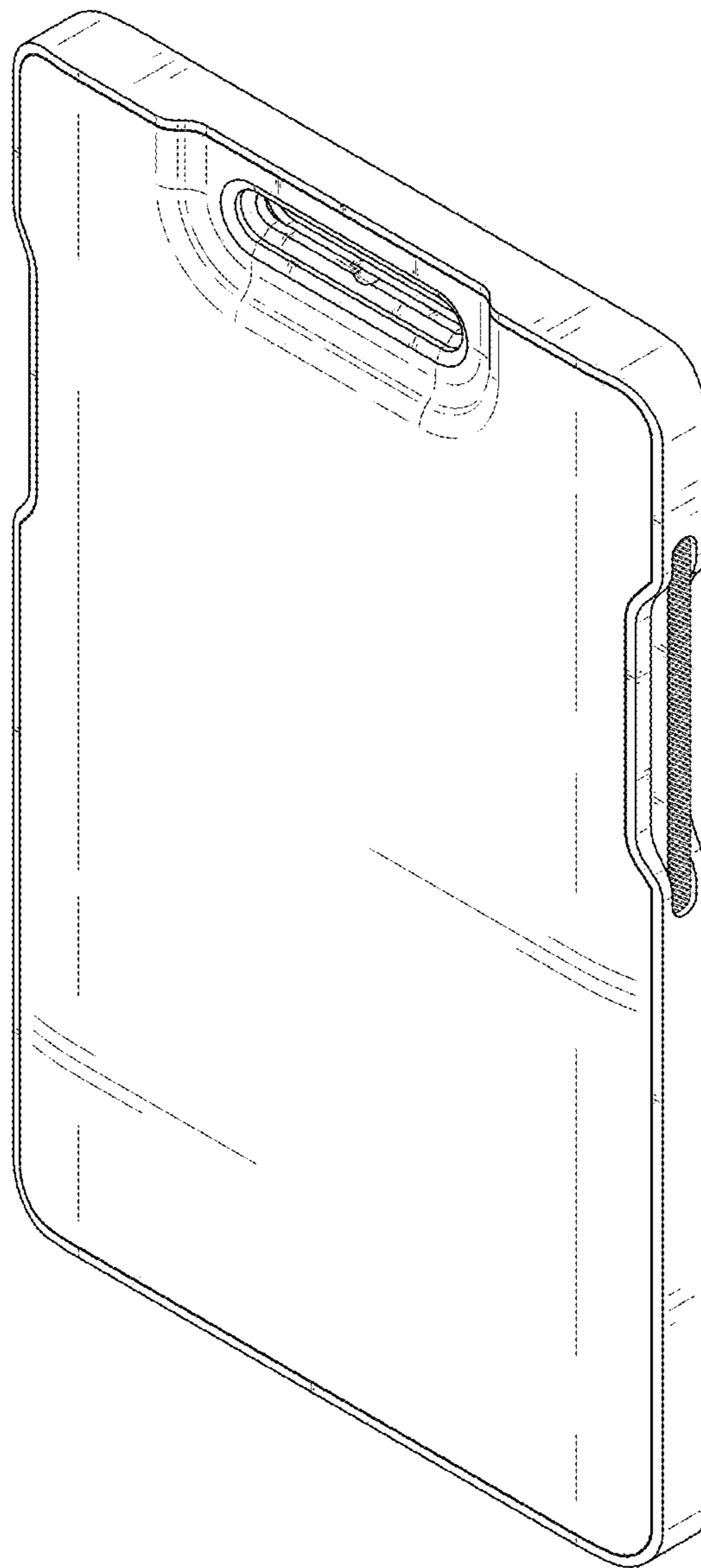


FIG. 2

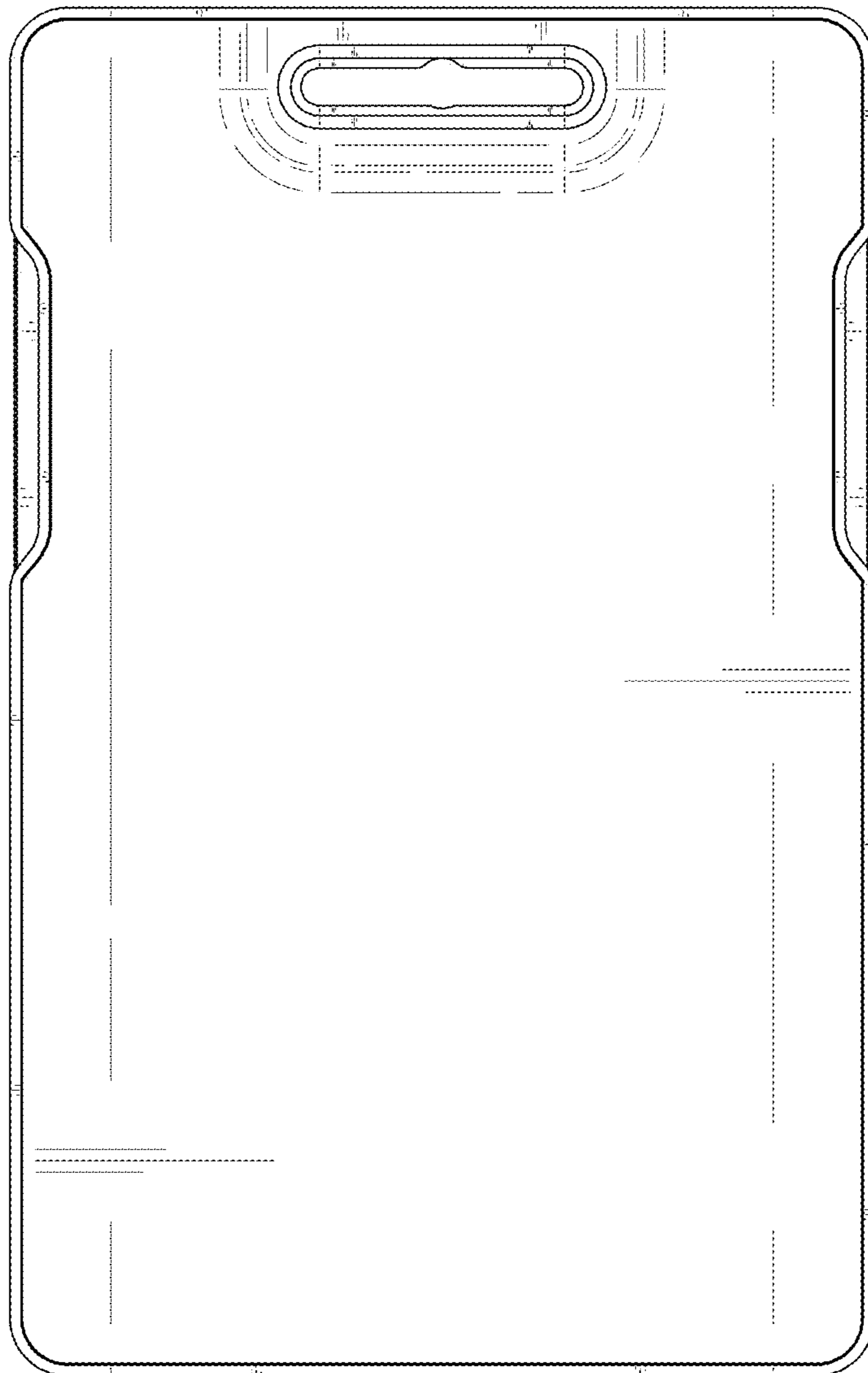


FIG. 3

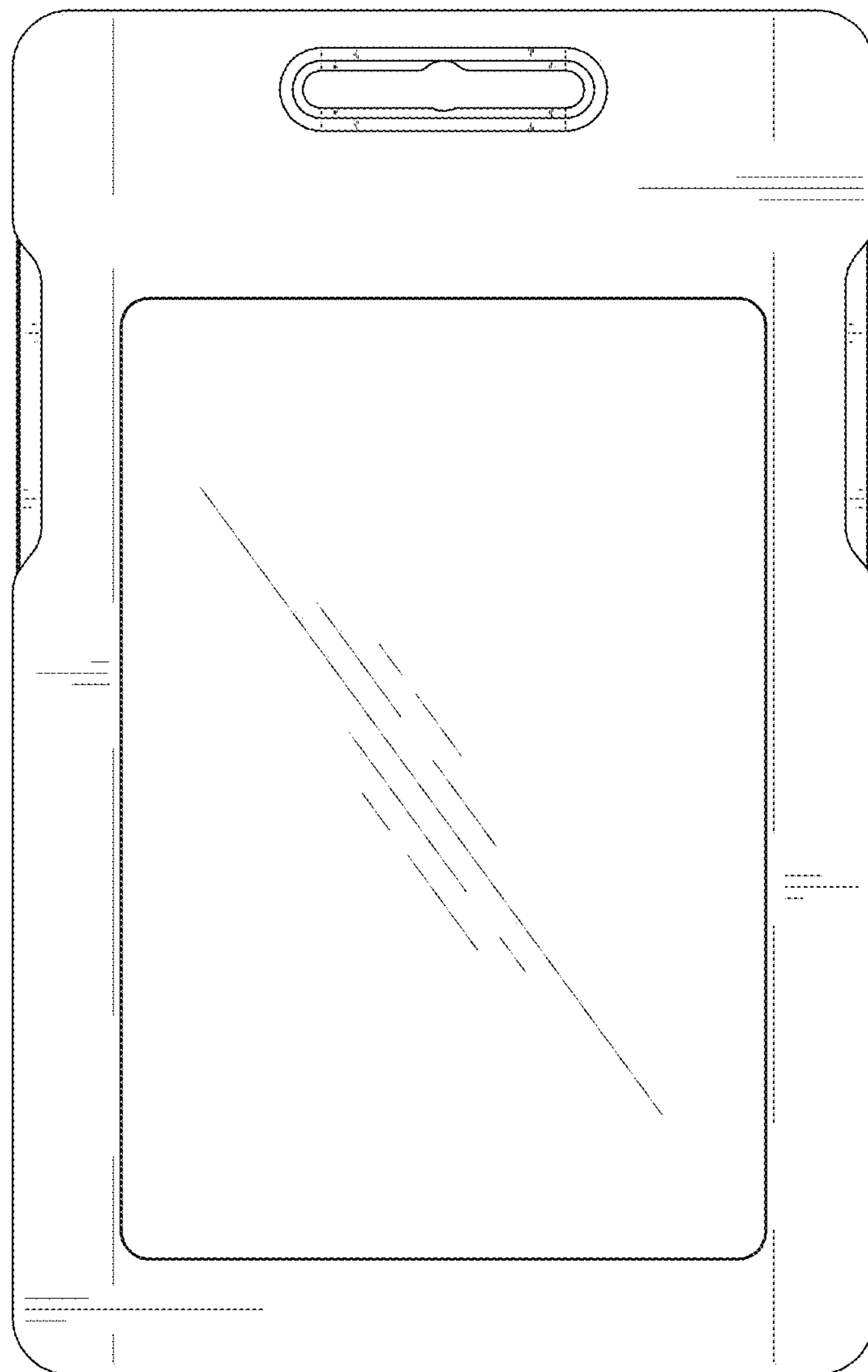


FIG. 4

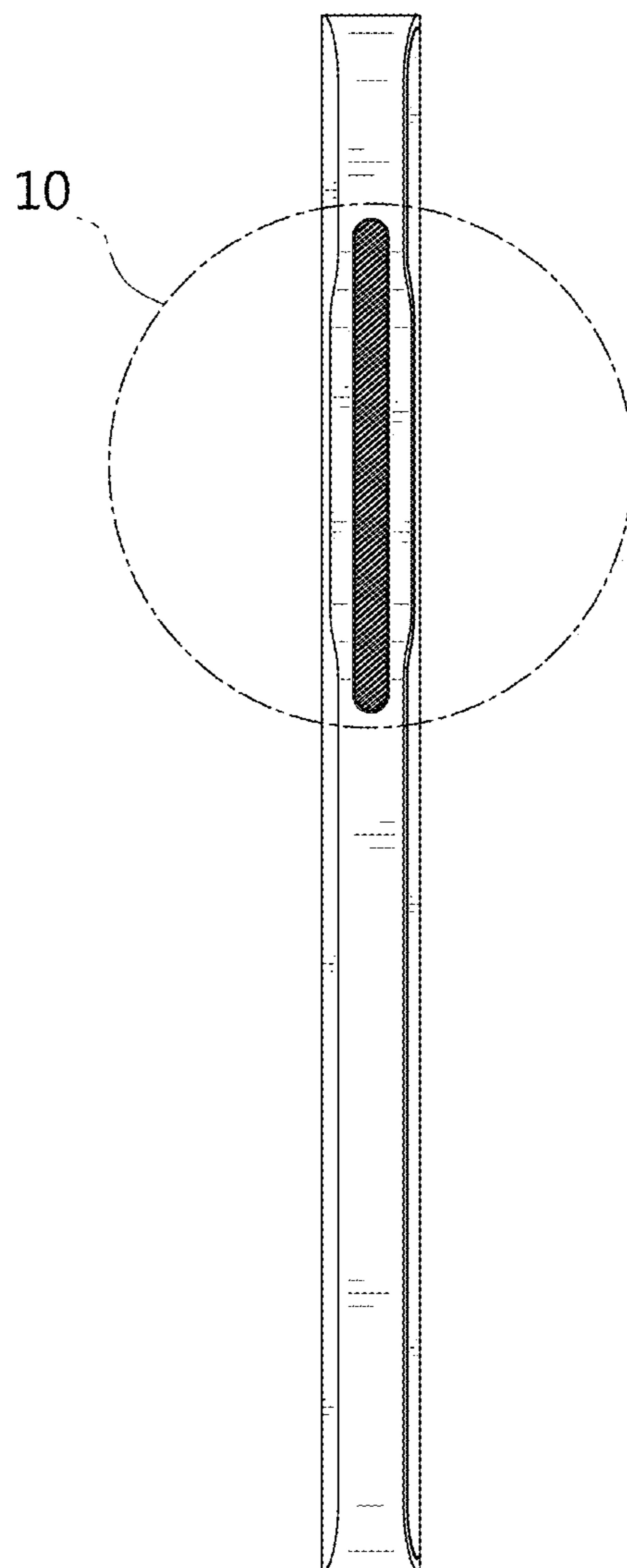


FIG. 5

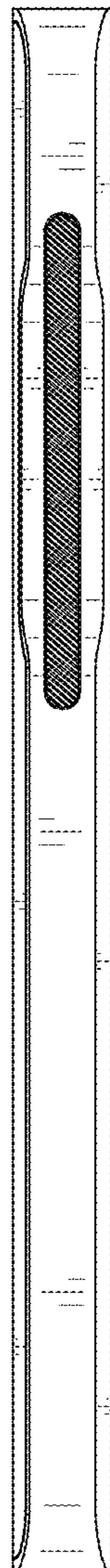


FIG. 6

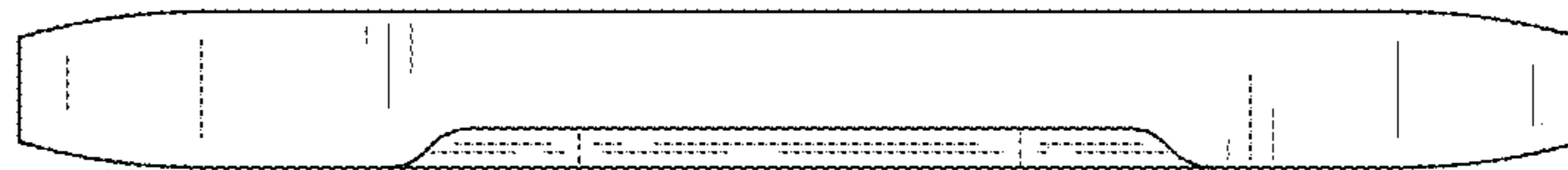


FIG. 7

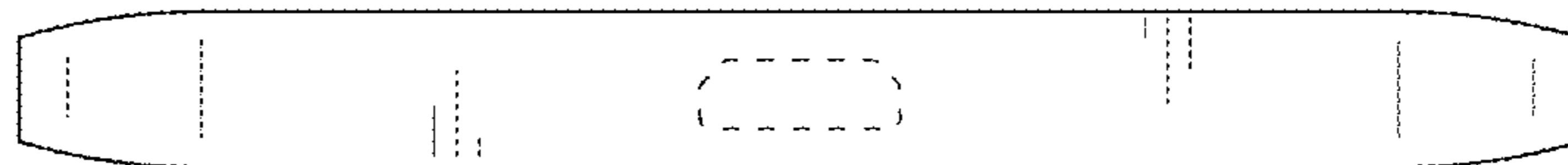


FIG. 8

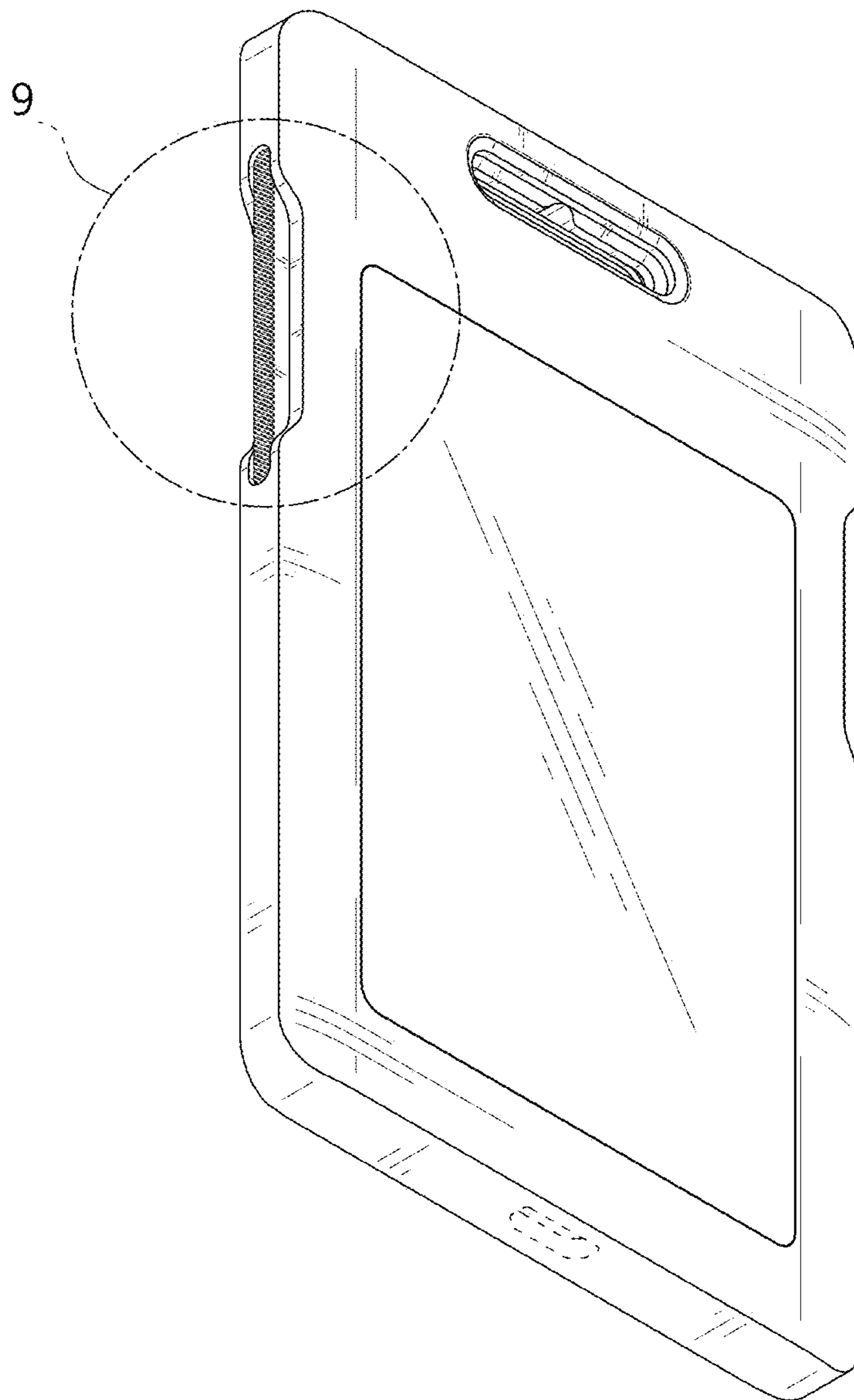


FIG. 9

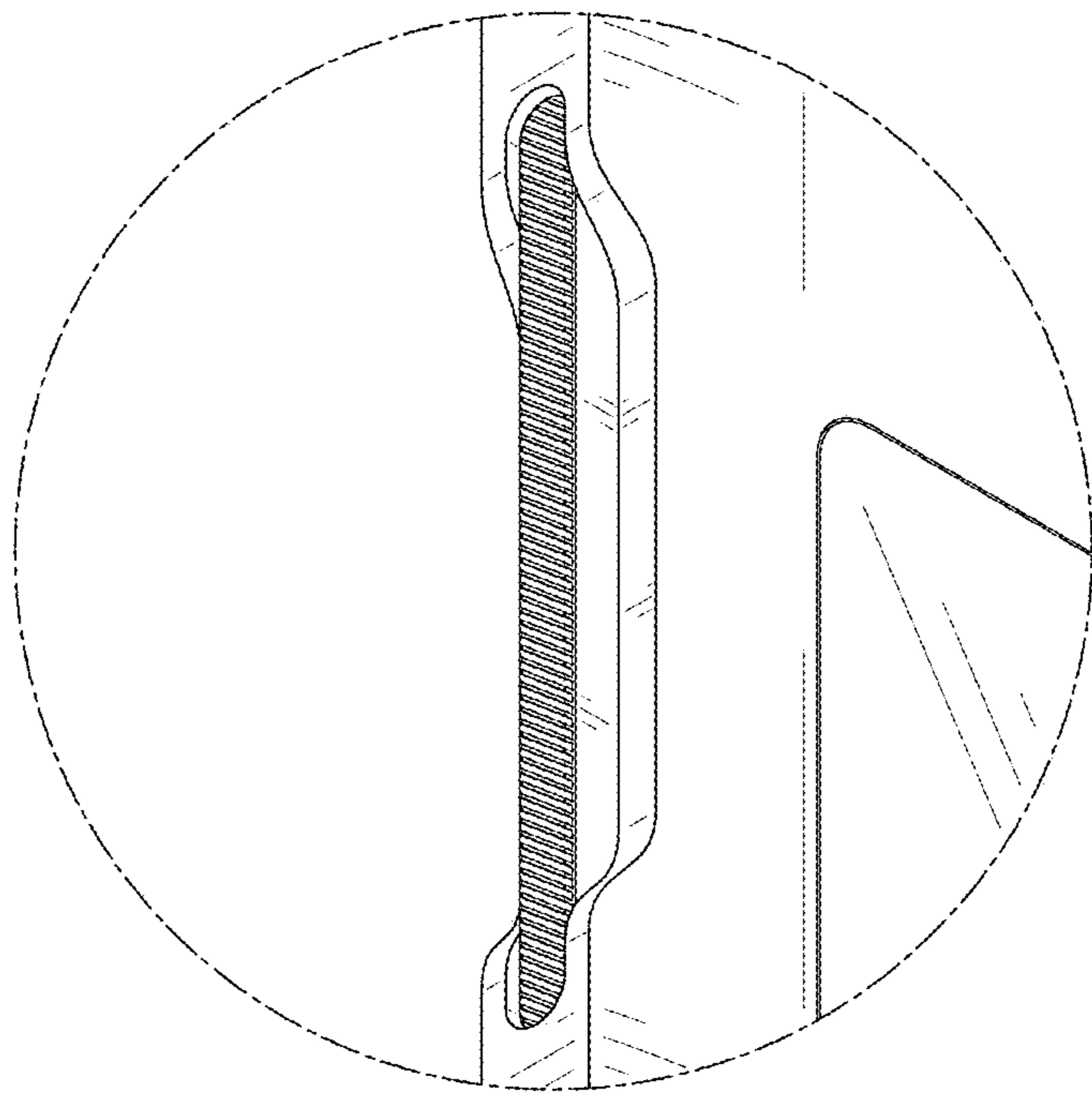


FIG. 10

