



US00D901861S

(12) **United States Design Patent** (10) **Patent No.:** **US D901,861 S**
Gavrieli et al. (45) **Date of Patent:** **** Nov. 17, 2020**

(54) **SINGLE-SOLE SHOE WITH YELLOW SOLE**

(71) Applicant: **Gavrieli Brands LLC**, Beverly Hills, CA (US)

(72) Inventors: **Kfir Gavrieli**, Beverly Hills, CA (US); **Dikla Gavrieli**, Beverly Hills, CA (US)

(73) Assignee: **Gavrieli Brands LLC**, Beverly Hills, CA (US)

(**) Term: **15 Years**

(21) Appl. No.: **29/681,283**

(22) Filed: **Feb. 24, 2019**

Related U.S. Application Data

(63) Continuation of application No. 29/655,791, filed on Jul. 6, 2018, now Pat. No. Des. 846,846, which is a continuation of application No. 29/574,397, filed on Aug. 15, 2016, now Pat. No. Des. 824,149, which is a continuation of application No. 29/489,779, filed on May 2, 2014, now Pat. No. Des. 763,556.

(51) **LOC (12) Cl.** **02-04**

(52) **U.S. Cl.**
USPC **D2/950**

(58) **Field of Classification Search**
USPC D2/896, 900, 919-921, 925-942, 947, D2/950, 969, 971
CPC A43B 21/00; A43B 21/02; A43B 21/06; A43B 9/14; A43B 1/0045; A43B 13/10; A43B 13/12; A43B 23/06; A43B 23/07; A43B 1/0036; A43B 5/12

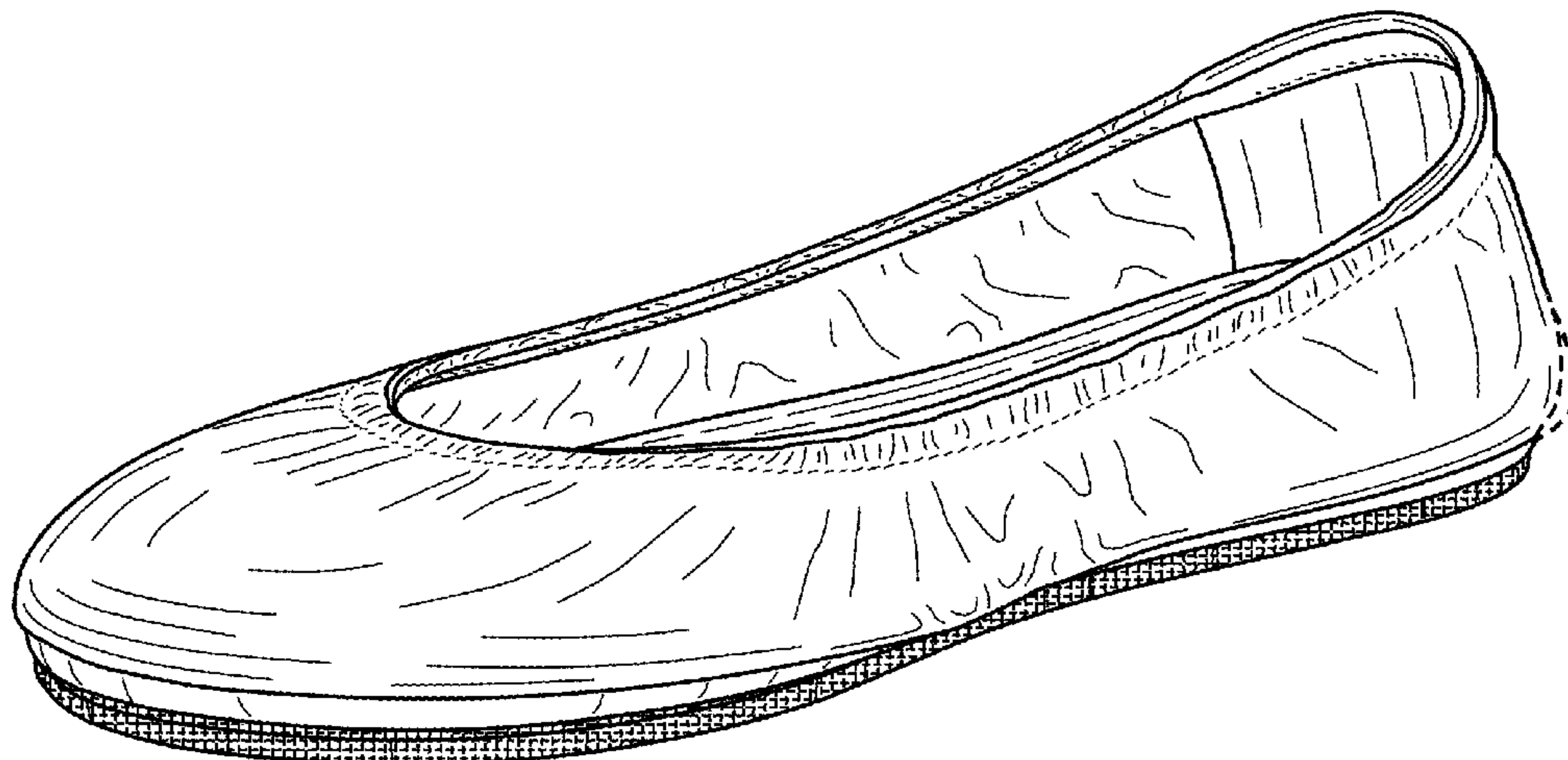
See application file for complete search history.

(56) **References Cited**

U.S. PATENT DOCUMENTS

249,086 A 11/1881 Pienovi
773,850 A 11/1904 Cooper et al.
830,941 A 9/1906 Walden
1,208,209 A 12/1916 Prince
1,214,666 A 2/1917 Ford

1,519,009 A 12/1924 Reina
1,525,848 A * 2/1925 Bonaventure A43B 5/12
36/113
1,587,377 A 6/1926 Grosjean
1,650,466 A 11/1927 Righter
2,224,590 A 12/1940 Boivin
2,268,777 A 1/1942 Scholl
D133,819 S * 9/1942 Harris D2/939
D135,791 S 6/1943 Beebe
2,323,563 A 7/1943 Nugent
2,342,882 A 2/1944 Meltzer
D141,871 S 7/1945 Braun
2,383,585 A 8/1945 Bindner
D149,685 S * 5/1948 Sandler D2/935
D150,729 S * 8/1948 Sandler D2/923
D166,090 S * 3/1952 Maling D2/897
2,772,488 A 12/1956 Meltzer
2,904,814 A 9/1959 Scholl
3,148,378 A 9/1964 Tibbitts
D200,897 S * 4/1965 Mitchell D2/919
D220,464 S 4/1971 Hayoshi
D247,396 S * 3/1978 Schlerth D2/939
4,412,393 A 11/1983 Terlizzi, Jr. et al.
D275,525 S 9/1984 Nakao
4,674,206 A 6/1987 Lyden
D295,692 S * 5/1988 Zuidema D2/950
D300,085 S 3/1989 Ito et al.
RE33,018 E 8/1989 Ostrander
4,899,412 A 2/1990 Ganon
D316,773 S 5/1991 Valle
5,012,541 A 5/1991 Ganon
D339,669 S * 9/1993 Miller D2/919
5,282,326 A 2/1994 Schroer, Jr. et al.
5,421,050 A 6/1995 Laganas
5,699,629 A 12/1997 Munschy
5,746,014 A 5/1998 Tanemoto
D420,785 S 2/2000 Perez
6,055,745 A 5/2000 Endoh
6,076,284 A 6/2000 Terlizzi
6,189,239 B1 2/2001 Gasparovic et al.
6,338,207 B1 1/2002 Chang
D457,292 S * 5/2002 Sessa D2/949
D461,947 S 8/2002 Merceron
6,588,124 B2 6/2003 Morrone
D476,798 S 7/2003 Reynolds et al.
D498,041 S 11/2004 McClaskie
D500,191 S * 12/2004 Belley D2/969
D501,706 S 2/2005 McClaskie
6,857,203 B2 2/2005 Minden
6,895,693 B2 5/2005 Baruck
6,978,557 B2 12/2005 Lee
7,032,327 B1 4/2006 Tartaglia et al.
7,036,244 B1 5/2006 Finch



US D901,861 S

D527,513 S	9/2006	Della Valle	
D529,513 S *	10/2006	Aketa	D15/5
D531,790 S	11/2006	Wurzburg	
D534,341 S *	1/2007	Choi	D2/896
D542,513 S	5/2007	Amado et al.	
D556,990 S	12/2007	Cabados	
7,337,558 B2	3/2008	Terlizzi et al.	
D567,485 S	4/2008	James	
D570,488 S	6/2008	Kirksey et al.	
D571,084 S	6/2008	Comeau	
D571,548 S	6/2008	Seamans	
D571,989 S	7/2008	Siegal	
D580,640 S	11/2008	Wurzburg	
D582,638 S	12/2008	Ringholz	
7,496,982 B2	3/2009	Clark et al.	
7,506,459 B2	3/2009	Grisoni et al.	
D591,031 S	4/2009	Cofinco	
D593,295 S *	6/2009	Belley	D2/969
D593,297 S *	6/2009	Belley	D2/969
D593,307 S *	6/2009	Belley	D2/969
D599,093 S *	9/2009	Issler	D2/925
D604,030 S	11/2009	Wilson	
D607,194 S	1/2010	Zagula	
7,757,408 B2	1/2010	McClaskie	
D610,332 S	2/2010	Raichle	
D610,785 S	3/2010	Smith	
D612,140 S	3/2010	Moon	
D612,141 S	3/2010	Moon	
7,694,435 B1	4/2010	Kiser et al.	
D615,737 S	5/2010	Feller	
7,735,244 B1	6/2010	Ameche	
7,743,530 B2	6/2010	Truelsen	
D618,891 S	7/2010	McClaskie	
D630,829 S	1/2011	Weisner	
D632,881 S	2/2011	Rosenberg	
7,926,203 B2	4/2011	Wilkenfeld	
7,966,747 B2	6/2011	Wilkenfeld et al.	
D640,861 S	7/2011	Wilkenfeld	
8,020,320 B2	9/2011	Gillespie	
8,127,468 B2	3/2012	Morgan	
D657,543 S	4/2012	Bove	
D659,960 S	5/2012	Bizzo	
8,230,619 B2	7/2012	Salvatelli	
D664,755 S	8/2012	Gavrieli et al.	
D665,157 S	8/2012	Wu	
8,240,067 B2	8/2012	Sussmann	
8,245,420 B2	8/2012	Wilson	
D668,027 S	10/2012	Millieret	
D668,438 S	10/2012	Millieret	
D668,847 S *	10/2012	Gavrieli	D2/925
D668,848 S *	10/2012	Gavrieli	D2/925
D668,849 S	10/2012	Pozzi	
D668,850 S	10/2012	Pozzi	
D672,542 S	12/2012	Gray et al.	
D676,634 S *	2/2013	Gavrieli	D2/925
D681,927 S *	5/2013	Gavrieli	D2/925
D681,928 S *	5/2013	Gavrieli	D2/925
D681,929 S *	5/2013	Gavrieli	A43B 13/16 D2/939
D683,936 S *	6/2013	Gavrieli	D2/925
8,468,723 B2	6/2013	Malka-Harari	
D686,812 S	7/2013	Gavrieli et al.	
8,510,975 B2	8/2013	Krikelis	
D688,853 S *	9/2013	Gavrieli	A43B 3/108 D2/939
D688,854 S *	9/2013	Gavrieli	A43B 13/186 D2/939
D688,855 S *	9/2013	Gavrieli	A43B 9/02 D2/939
D689,270 S *	9/2013	Gavrieli	A43B 23/0245 D2/939
D689,271 S *	9/2013	Gavrieli	A43B 13/14 D2/939
D689,272 S *	9/2013	Gavrieli	A43B 3/24 D2/939
D690,914 S *	10/2013	Gavrieli	A43B 13/14 D2/939
D690,915 S *	10/2013	Gavrieli	D2/925

D696,500 S	12/2013	Hunt	
D699,424 S	2/2014	Hamm	
8,661,714 B2	3/2014	Sussmann	
8,745,893 B2	6/2014	Gavrieli et al.	
8,973,287 B2	3/2015	Shibata	
D763,556 S *	8/2016	Gavrieli	D2/939
D824,149 S *	7/2018	Gavrieli	D2/939
2002/0078591 A1	6/2002	Morrone	
2002/0129519 A1	9/2002	Cahan	
2003/0070319 A1	4/2003	Minden	
2003/0121176 A1	7/2003	Baruck	
2004/0025377 A1	2/2004	Brannon	
2005/0022421 A1	2/2005	Bruckner	
2005/0115115 A1	6/2005	Lacey	
2005/0217148 A1	10/2005	Connolly et al.	
2005/0262734 A1	12/2005	Cheng	
2006/0086005 A1	4/2006	Yerian	
2006/0156576 A1	7/2006	Sloan	
2007/0074424 A1	4/2007	Lin	
2007/0204482 A1	9/2007	Gibson-Collinson	
2007/0204483 A1	9/2007	Kirsch et al.	
2008/0052964 A1	3/2008	Taylor	
2008/0086912 A1	4/2008	Wilkenfeld	
2008/0110059 A1	5/2008	Kuramoto et al.	
2009/0019732 A1	1/2009	Sussmann	
2009/0193685 A1	8/2009	Wilson	
2009/0205222 A1	8/2009	Mclinden	
2009/0272009 A1	11/2009	Weisner et al.	
2010/0011625 A1	1/2010	Percival	
2010/0018080 A1	1/2010	Smith	
2010/0050469 A1	3/2010	Chen	
2010/0095557 A1	4/2010	Jarvis	
2010/0115793 A1	5/2010	Kraisosky	
2010/0122475 A1	5/2010	Purrington	
2010/0146822 A1	6/2010	MacGregor	
2010/0212186 A1	8/2010	Cheng	
2010/0275462 A1	11/2010	Pucci	
2010/0281713 A1	11/2010	Pantazes	
2015/0089843 A1	4/2015	Gavrieli	

FOREIGN PATENT DOCUMENTS

DE	20 2006 00023 U1	5/2007
GB	2443937 A	5/2008
GB	2 446 205 A	8/2008
TW	D119165	10/2007

OTHER PUBLICATIONS

Third Party Submission Under 37 CFR 1.290 regarding U.S. Appl. No. 15/905,239, filed Feb. 9, 2019, 94 pages.

Order Granting TRO (D.I. 11), *Gavrieli Brands LLC vs. Soto Massini*, Civil Action No. 1:18-cv-00462, Mar. 28, 2018, 2 pages.

Defendants' Opposition To Motion For Temporary Restraining Order, Civil Action No. 1:18-cv-00462-GMS, Apr. 1, 2018, 12 pages.

Declaration of Thomas Pichler In Opposition To Tro Request, C.A. No. 1:18-cv-00462-GMS, Apr. 1, 2018, 8 pages.

Exhibit A to Pichler Declaration ISO TRO Opposition (D.I. 13-1), C.A. No. 1:18-cv-00462-GMS, Apr. 1, 2018, 29 pages.

Order TRO (D.I. 18), C.A. No. 1:18, Apr. 4, 2018, 3 pages.

Defendant Soto Massini (USA) Corporation's Answer and Counterclaims To Verified Complaint for Patent Infringement, Trade Dress Infringement, and Unfair Competition, C.A. No. 1:18-cv-00462-GMS, May 1, 2018, 26 pages.

Defendant Soto Massini (USA) Corporation's Answer To Amended Complaint and Amended Counterclaims, C.A. No. 1:18-cv-00462-GMS, Jun. 5, 2018, 28 pages.

Defendant Soto Massini (USA) Corporation's Answer To Amended Complaint and First Amended Counterclaims, C.A. No. 1:18-cv-00462-GMS, Jul. 12, 2018, 31 pages.

Exhibit A to SACC (45-1), Case 1:18-cv-00462-GMS, 3 pages.

Exhibit B to SACC (45-2), Case 1:18-cv-00462-GMS, 5 pages.

Exhibit C to SACC (45-3), Case 1:18-cv-00462-GMS, 5 pages.

Exhibit D to SACC (45-4), Case 1:18-cv-00462-GMS, 4 pages.

- Defendant Soto-USA's Invalidity Contentions, C.A. No. 1:18-cv-00462-MN, 16 pages.
- Redacted Verdict Form (D.I. 144), Case 1:18-cv-00462-GMS, 13 pages.
- Judgement (D.I. 149), C.A. No. 18-462-MN, May 13, 2019, 3 pages.
- Gavrieli Brands, LLC, v. Soto Massini (USA) Corp., et al.*, (full) Trial Transcript, C.A. No. 18-462(MN), vol. 1, 733 pages.
- Expert Report of Caroline de Baere (Fed. R. CIV. P. 26(a)(2)(B), Case No. 18-cv-00462-MN, Mar. 1, 2019, 33 pages.
- Exhibit 23, Infringement Analysis in Light of the Alleged Prior Art, 41 pages.
- Expert Report of Lance Rake, (Fed. R. CIV. P. 26(a)(2)(B), Mar. 1, 2019, 27 pages.
- U.S. Pat. No. 1,525,848, Feb. 10, 1925, B. S. Bonaventure, 3 pages.
- Design U.S. Pat. No. 247,396, Mar. 7, 1978, William A. Schlerth, 2 pages.
- Design U.S. Pat. No. D611,693 S, Mar. 16, 2010, Barbara Schwartz, 7 pages.
- Camper Book Excerpt—Nina Right, (pp. 334-335), The Walking Society, Lars Müller Publishers, 3 pages.
- Camper History—The Shoes, Every Season We Strive To Reinvent Some Of Our Classic Concepts While Continuing To Challenge The Status Quo With New and Original Designs. We Often Find That There Is A Camper Style For Every Walk Of Life, 8 pages.
- Tieks by Gavrieli—Comfortable, designer flats you can fit in your purse and wear all day, every day!, Copperhead Snake Print Tieks, <https://web.archive.org/web/20101230062534/http://www.tieks.com:80/>, Dec. 30, 2010, 1 page.
- Tieks by Gavrieli—Comfortable, designer flats you can fit in your purse and wear all day, every day!, Merlot Lizard Print Tieks, <https://web.archive.org/web/20101230062534/http://www.tieks.com:80/>, Dec. 30, 2010, 1 page.
- Tieks by Gavrieli—Comfortable, designer flats you can fit in your purse and wear all day, every day!, Slate Grey Tieks, <https://web.archive.org/web/20101230062534/http://www.tieks.com:80/>, Dec. 30, 2010, 1 page.
- Tieks by Gavrieli—Comfortable, designer flats you can fit in your purse and wear all day, every day!, Camel, <https://web.archive.org/web/20101230062534/http://www.tieks.com:80/>, Dec. 30, 2010, 1 page.
- Tieks by Gavrieli—Comfortable, designer flats you can fit in your purse and wear all day, every day!, Lilac, <https://web.archive.org/web/20101230062534/http://www.tieks.com:80/>, Dec. 30, 2010, 1 page.
- Tieks by Gavrieli—Comfortable, designer flats you can fit in your purse and wear all day, every day!, Leopard Print, <https://web.archive.org/web/20101230062534/http://www.tieks.com:80/>, Dec. 30, 2010, 1 page.
- Tieks by Gavrieli—Comfortable, designer flats you can fit in your purse and wear all day, every day!, The Tieks eGift card . . . Always the perfect fit, <https://web.archive.org/web/20101230062534/http://www.tieks.com:80/>, Dec. 30, 2010, 1 page.
- Tieks by Gavrieli—Comfortable, designer flats you can fit in your purse and wear all day, every day!, Copperhead Snake Print, <https://web.archive.org/web/20110222174850/http://www.tieks.com:80/>, Feb. 22, 2011, 1 page.
- Tieks by Gavrieli—Comfortable, designer flats you can fit in your purse and wear all day, every day!, Patent Tiek Blue, <https://web.archive.org/web/20110222174850/http://www.tieks.com:80/>, Feb. 22, 2011, 1 page.
- Tieks by Gavrieli—Comfortable, designer flats you can fit in your purse and wear all day, every day!, Tangerine, <https://web.archive.org/web/20110222174650/http://www.tieks.com:80/>, Feb. 22, 2011, 1 page.
- Tieks by Gavrieli—Fashionable Flats That Fit in Your Purse California Navy, <https://web.archive.org/web/20100516173039/http://www.tieks.com:80/california-navy.html>, May 16, 2010, 1 page.
- Tieks by Gavrieli—Fashionable Flats That Fit in Your Purse Cardinal Red, <https://web.archive.org/web/20100516173045/http://www.tieks.com:80/cardinal-red.html>, May 16, 2010, 1 page.
- Tieks by Gavrieli—Fashionable Flats That Fit in Your Purse Metallic Gold, <https://web.archive.org/web/20100516173106/tieks.com/metallic-gold.html>, May 16, 2010, 1 page.
- Tieks by Gavrieli—Fashionable Flats That Fit in Your Purse Patent Tiek Blue, <https://web.archive.org/web/20100516173130/http://www.tieks.com:80/tiek-blue.html>, May 16, 2010, 1 page.
- Tieks by Gavrieli—Fashionable Flats That Fit in Your Purse Splash Page, The Ballet Flat . . . Reinvented, <https://web.archive.org/web/20100513055618/https://tieks.com/>, May 13, 2010, 1 page.
- Tieks by Gavrieli—Fashionable Flats That Fit in Your Purse Splash Page, Ballet Flats . . . with a Bonus, <https://web.archive.org/web/20100513055818/https://tieks.com/>, May 13, 2010, 1 page.
- Tieks by Gavrieli—Fashionable Flats That Fit in Your Purse Splash Page, Going Places? Take Tieks. <https://web.archive.org/web/20100513055818/https://tieks.com/>, May 13, 2010, 1 page.
- Tieks by Gavrieli—Fashionable Flats That Fit in Your Purse Splash Page, Step Into Tieks, <https://web.archive.org/web/20100513055818/https://tieks.com/>, May 13, 2010, 1 page.
- Tieks by Gavrieli—Fashionable Flats That Fit in Your Purse True Blue, <https://web.archive.org/web/20100516173135/http://www.tieks.com:80/true-blue.html>, May 16, 2010, 1 page.
- Tieks by Gavrieli—Fashionable Flats That Fit in Your Purse White Croc Print, <https://web.archive.org/web/20100516173145/http://www.tieks.com:80/white-croc-print.html>, May 16, 2010, 1 page.
- Tieks by Gavrieli—Foldable Fashionable Ballet Flats, Wild Copper, Be a little wild . . . even when you're not., <https://web.archive.org/web/20100819165503/https://tieks.com/>, Aug. 19, 2010, 1 page.
- Tieks by Gavrieli—Foldable Fashionable Ballet Flats, Paradise Blue, The perfect pair for day and night, <https://web.archive.org/web/20100819165503/https://tieks.com/>, Aug. 19, 2010, 1 page.
- Tieks by Gavrieli—Foldable Fashionable Ballet Flats, Obsidian Black, When workdays spill over into party nights., <https://web.archive.org/web/20100819165503/https://tieks.com/>, Aug. 19, 2010, 1 page.
- Tieks by Gavrieli—Foldable Fashionable Ballet Flats, Fuchsia, Sweet and sultry, <https://web.archive.org/web/20100819165503/https://tieks.com/>, Aug. 19, 2010, 1 page.
- Tieks by Gavrieli—Foldable Fashionable Ballet Flats, Tan Croc print Tieks, A timeless texture., <https://web.archive.org/web/20100819165503/https://tieks.com/>, Aug. 19, 2010, 1 page.
- Tieks by Gavrieli—Foldable Fashionable Ballet Flats, Be a little wild . . . even when you're not., <https://web.archive.org/web/210092020755/https://tieks.com/>, Sep. 2, 2010, 1 page.
- Tieks by Gavrieli—Foldable Fashionable Ballet Flats, Obsidian Black, When workdays spill over into party nights. <https://web.archive.org/web/20100902020755/https://tieks.com/>, Sep. 2, 2010, 1 page.
- Tieks by Gavrieli—Foldable Fashionable Ballet Flats, Tan Croc Print, A timeless texture, <https://web.archive.org/web/20100902020755/https://tieks.com/>, Sep. 2, 2010, 1 page.
- Tieks by Gavrieli—Foldable Fashionable Ballet Flats, Paradise Blue, The perfect pair for day and night, <https://web.archive.org/web/20100902020755/https://tieks.com/>, Sep. 2, 2010, 1 page.
- Tieks by Gavrieli—Foldable Fashionable Ballet Flats, Fuchsia, Sweet and sultry, <https://web.archive.org/web/20100902020755/https://tieks.com/>, Sep. 2, 2010, 1 page.
- Tieks by Gavrieli—Foldable Fashionable Ballet Flats, Tiek Blue Tieks, Let yourself shine, <https://web.archive.org/web/20100902020755/https://tieks.com/>, Sep. 2, 2010, 1 page.
- Examination Report for AU 341324, 3 pgs., dated Oct. 24, 2012.
- Letter from TMI and Associates with Office Action, 2 pgs, dated Sep. 19, 2012 <http://www.payless.com/store/?&TLC=Womens&SLC=WomensNewArrivals&BLC=WomensNewArrivalsNewArrivals&With+Regular&ItemCode=60131&LotNumber=062642&Type=Adult&Popularity=637&Descriptvein>.
- Taiwanese Office Action for TW 101300726, 10 pgs., dated Sep. 6, 2012.
- "The Love List, Tieks by Gavrieli—Foldable Ballet Flats," <http://thelovelist-early.blogspot.com.au/2010/09/tieks-by-gavrieli-foldable-ballet.html>, 2 pgs., Sep. 12, 2010.
- "Tieks by Gavrieli," <http://tieks.com>, 1 pg., retrieved Mar. 13, 2013 from URL.

“Try It Mummy!, Tieks by Gavrieli,” <http://tryitmummy.blogspot.com.au/2010/12/tieks-by-gavrieli.html>, 3 pgs., Dec. 9, 2010.

“Wearability—Real People Style, What came first, the City Flat or the Tieks,” <http://wearability.posterous.com/what-came-first-the-city-flat-or-the-tieks>, 2 pgs., Aug. 29, 2010.

“The Ballet Flat . . . Reinvented; Ballet Flats . . . with a Bonus; Step Into Tieks; Going Places? Take Tieks,” <http://web.archive.org/web/2010052004346/http://www.tieks.com/>; 4 pgs., May 24, 2010.

“Tieks—Comfortable designer flats you can fit in your purse and wear all day, every day,” <http://web.archive.org/web/20110731151555/http://tieks.com/>; 6 pgs., Jul. 31, 2011.

“58th Annual Emmy Awards,” http://spoonsforksandfashion.blogspot.com/2006_08_01_archive.html, depicting Nine West flats, 2 pgs., Aug. 1, 2006.

Pictures of Nine West flats sold in 2006, 3 pgs.

“I Love a Good Ballet Flat!,” <http://dressupfiles.com/i-love-a-good-ballet-flat>, depicting Sue London flats, 3 pgs., Sep. 3, 2010.

Pictures of Sue London flats sold in 2010, 2 pgs.

“Miss Cathie Reviews: The Yosi Samra Foldable Ballet Flat . . .,” <http://www.misscathie.com/2010/01/miss-cathie-reviews-the-yosi-samra-foldable-ballet-flat/>, depicting Yosi Samra flats, 9 pgs., Jan. 2010.

Pictures of Yosi Samra flats sold in 2010, 2 pgs.

“Goodbye two thousand ten,” http://emmajoyrussell.blogspot.com/2010_12_01_archive.html, depicting Gap flats, 39 pgs., Dec. 1, 2010.

Pictures of Gap flats available for sale in 2010, 9 pgs.

“Our newest design of folding flats-Pink,” <https://fitinclouds.wordpress.com/2010/05/16/our-newest-design-of-folding-flats-pink/>, depicting Fit in Clouds flats, 1 pg., May 16, 2010.

“Fit in Clouds Satin Folding Shoes,” <http://www.goodhousekeeping.com/product-reviews/clothing/best-ballet-flats/fit-in-clouds-satin-foldable-ballet-flats>, depicting Fit in Clouds flats, 2 pg., Aug. 2013.

Pictures of Fit in Clouds flats available for sale in 2011, 4 pgs.

“Shoes for Standing,” <https://truthinshoes.wordpress.com/2008/07/>, depicting Sam & Libby flats, 2 pgs., Jul. 31, 2008.

“Target Designer Collaboration: Announcing Sam & Libby Shoes for Target,” <http://www.therecessionista.com/2012/11/target-designer-collaboration-announcing-sam-libby-shoes-for-target.html>, depicting Sam & Libby flats, 1 pg., Nov. 26, 2012.

Pictures of Sam & Libby flats available for purchase in 2011, 5 pgs.

“Save your soles with Citisoles ballet flats,” <http://glamazondiaries.com/2009/07/save-your-soles-with-citisoles-ballet-flats>, depicting Citisoles flats, 3 pgs., Jul. 2009.

Pictures of Citisoles flats available for purchase in 2009, 3 pgs.

“#16 Corso Como Delicious Pumps Review and Giveaway!,” <http://www.mommatoldmeblog.com/2011/01/16-corso-como-delicious-pumps-review.html>, depicting Corso Como flats, 8 pgs., Jan. 16, 2011.

Pictures of Corso Como flats available for sale in 2011, 3 pgs.

“Jil-sander-navy-lead-ballet-flats-product . . .,” www.ebay.com, depicting Jil Sander flats, 4 pgs., Nov. 2013.

Pictures of Jil Sander flats available for sale in 2011, 3 pgs.

“Spare Soles: Shoes That Roll-up & Fold-up,” <http://herpackinglist.com/2011/01/spare-soles-shoes/>, depicting Spare Soles flats, 2 pgs., Jan. 2011.

Pictures of Spare Soles flats available for sale in 2011, 5 pgs.

Pictures of Roll-Upz by Spare Soles flats available for sale in 2011, 6 pgs.

“The Cutest Blog, Preppy 50 and Loving Lilly, Ballet Flat Delight,” <http://preppy50andlovinglilly.blogspot.com/2011/02/ballet-flat-delight.html>, depicting Henri Bendel flats, 1 pg., Feb. 19, 2011.

Pictures of Henri Bendel flats available for sale in 2011, 4 pgs.

“Mumsnet by parents for parents,” http://www.mumsnet.com/Talk/style_and_beauty/a1612000-Anyone-tried-Redfoot-Flatmates-foldable-ballet-pumps, depicting Redfoot Flatmates flats, 1 pg, Nov. 14, 2012.

Pictures of Redfoot Flatmates flats available for sale in 2011, 6 pgs.

“Amazon.com: Customer Reviews: Bloch London Women’s Lux Ballet Flat,” <http://www.amazon.com/Bloch-London-Womens-Ballet-Flat/product-reviews/B004LWP7YW>, depicting Bloch London flats, 4 pgs., Dec. 11, 2011.

Pictures of Bloch London flats offered for sale in 2011, 11 pgs.

“H&m foldable leopard print flat,” <https://8485.shops.wordpress.com/2011/06/16/flats-for-7-bucks/shoe1/>, depicting h&m flats, 2 pgs., Jun. 16, 2011.

Pictures of h&m foldable flats offered for sale in 2011, 4 pgs.

“Seekyt—Juicy Couture Ballet Flats—Are They Worth The Money?,” <http://seekyt.com/juicy-couture-ballet-flats-are-they-worth-the-money/>, 2 pgs., Jun. 3, 2011.

Pictures of Juicy Couture flats offered for sale in 2011, 3 pgs.

“Purse Flats,” <http://purseflats.wordpress.com>, depicting Purse Flats by Erica Wilson, 3 pgs., Jul. 12, 2012.

Pictures of Purse Flats by Erica Wilson offered for sale in 2011, 6 pgs.

“Tieks by Gavrieli—Comfortable, designer flats you can fit in your purse and wear all day . . .,” <http://web.archive.org/web/20110202210649/http://www.tieks.com/>, 8 pgs., Feb. 2, 2011.

“Carolina M. M. Gonzalez > Tieks by Gavrieli,” http://m2.facebook.com/Tieks?v=timeline&filter=2&timecutoff=1406427986&page=17§ionLoadingID=m_timeline_loading_div_1293868799_1262332800_8_17&timeend=1293868799×tart=1262332800&tm=AQDOvqhWQPN_Nbwm&refid=17, 1 pg. Jan. 26, 2010.

“The Shoes Oprah Would Wear to Work (if She Had to Walk),” <http://www.inc.com/30under30/christina-demarais/kfir-gavrieli-and-elram-gavrieli-founders-of-tieks.html>, 2 pgs., Jul. 2, 2012.

“Tieks by Gavrieli,” http://m2.facebook.com/Tieks?v=timeline&filter=2&timecutoff=1406427986&page=14§ionLoadingID=m_timeline_loading_div_129386799_1262332800_8_14&timeend=1293868799×tart=1262332800&tm=AQDOvqhWQPN_Nbwm&refid=17, 4 pgs., Jan. 26, 2010.

“Mighty Life List, Sensible Shoes,” <http://mighty.girl.com/2010/08/24/sensible-shoes/>, 11 pgs., Aug. 24, 2010.

“Find! Tieks: Fab & sexy flats for fall,” <http://thefabmom.com/2013/08/29/find-tieks-fab-sexy-flats-for-fall/>, 3 pgs. Aug. 29, 2013.

“Step into Tieks,” <http://sliceofpink.typepad.com/blog/2010/09/tieks-1.html>, 5 pgs., Sep. 22, 2010.

“In Need of Flat-Soled Shoes,” <http://www.kellywickham.com/mochamomma/2010/10/4/in-need-of-flat-soled-shoes.html>, 4 pgs., Oct. 3, 2010.

“Say Hello to the Flat Shoes You Need for Fall . . . All 88 of Them!”, Picture of Adam Tucker Shoe/Slipper, <https://www.facebook.com/search/top?q=adam%20shoes%20slipper>, last accessed Oct. 28, 2016, dated Oct. 1, 2013, 1 page.

Picture of Adam Tucker Rainbow Shoes, <https://www.facebook.com/search/top?q=adam%20shoes%20rainbow>, last accessed Oct. 28, 2016, dated Aug. 14, 2013, 1 page.

* cited by examiner

Primary Examiner — Dominic V Simone

(74) *Attorney, Agent, or Firm* — Morgan, Lewis & Bockius LLP

(57)

CLAIM

The ornamental design for a single-sole shoe with yellow sole, as shown and described.

DESCRIPTION

The file of this patent contains at least one drawing executed in color. Copies of this patent with color drawing(s) will be provided by the Office upon request and payment of the necessary fee.

FIG. 1 is a perspective view of an embodiment of our new design of a single-sole shoe with yellow sole, where the yellow portions are indicated using the USPTO convention of vertical and horizontal cross-hatched lines for yellow or gold including any one of Pantone PMS 100-Pantone PMS 122, any one of Pantone PMS 124-Pantone PMS 147, Pantone PMS 155, Pantone PMS 379, Pantone PMS 380, any one of Pantone PMS 386-Pantone PMS 388, any one of Pantone PMS 393-Pantone PMS 395, any one of Pantone

PMS 397-Pantone PMS 399, any one of Pantone PMS 455-Pantone PMS 460, any one of Pantone PMS 586-Pantone PMS 620, Pantone PMS 803, Pantone PMS 809, Pantone PMS 810, any one of Pantone PMS 3935-Pantone PMS 3965, Pantone PMS 3985, any one of RAL 1000-RAL 1017, or any one of RAL 1019-RAL 1037;

FIG. 2 is a first side view of the design of FIG. 1;

FIG. 3 is a second side view of the design of FIG. 1;

FIG. 4 is a top view of the design of FIG. 1;

FIG. 5 is a bottom view of the design of FIG. 1;

FIG. 6 is a front view of the design of FIG. 1;

FIG. 7 is a back view of the design of FIG. 1;

FIG. 8 is a perspective view of yet another embodiment of our new design of a single-sole shoe with yellow sole, where the yellow portions indicate the yellow color Pantone PMS 123;

FIG. 9 is a first side view of the design of FIG. 8;

FIG. 10 is a second side view of the design of FIG. 8;

FIG. 11 is a top view of the design of FIG. 8;

FIG. 12 is a bottom view of the design of FIG. 8;

FIG. 13 is a front view of the design of FIG. 8;

FIG. 14 is a back view of the design of FIG. 8;

FIG. 15 is a perspective view of yet another embodiment of our new design of a single-sole shoe with yellow sole, where the yellow portions indicate the yellow color Pantone PMS 396;

FIG. 16 is a first side view of the design of FIG. 15;

FIG. 17 is a second side view of the design of FIG. 15;

FIG. 18 is a top view of the design of FIG. 15;

FIG. 19 is a bottom view of the design of FIG. 15;

FIG. 20 is a front view of the design of FIG. 15;

FIG. 21 is a back view of the design of FIG. 15;

FIG. 22 is a perspective view of yet another embodiment of our new design of a single-sole shoe with yellow sole, where the yellow portions indicate the yellow color Pantone PMS 461;

FIG. 23 is a first side view of the design of FIG. 22;

FIG. 24 is a second side view of the design of FIG. 22;

FIG. 25 is a top view of the design of FIG. 22;

FIG. 26 is a bottom view of the design of FIG. 22;

FIG. 27 is a front view of the design of FIG. 22;

FIG. 28 is a back view of the design of FIG. 22;

FIG. 29 is a perspective view of yet another embodiment of our new design of a single-sole shoe with yellow sole, where the yellow portions indicate the yellow color Pantone PMS 3975;

FIG. 30 is a first side view of the design of FIG. 29;

FIG. 31 is a second side view of the design of FIG. 29;

FIG. 32 is a top view of the design of FIG. 29;

FIG. 33 is a bottom view of the design of FIG. 29;

FIG. 34 is a front view of the design of FIG. 29;

FIG. 35 is a back view of the design of FIG. 29;

FIG. 36 is a perspective view of yet another embodiment of our new design of a single-sole shoe with yellow sole, where the yellow portions indicate the yellow color RAL 1018;

FIG. 37 is a first side view of the design of FIG. 36;

FIG. 38 is a second side view of the design of FIG. 36;

FIG. 39 is a top view of the design of FIG. 36;

FIG. 40 is a bottom view of the design of FIG. 36;

FIG. 41 is a front view of the design of FIG. 36; and,

FIG. 42 is a back view of the design of FIG. 36.

The broken lines illustrating the channel on the yellow sole in the above described Figures are for illustrative purposes only and form no part of the claimed design.

**1 Claim, 36 Drawing Sheets
(25 of 36 Drawing Sheet(s) Filed in Color)**

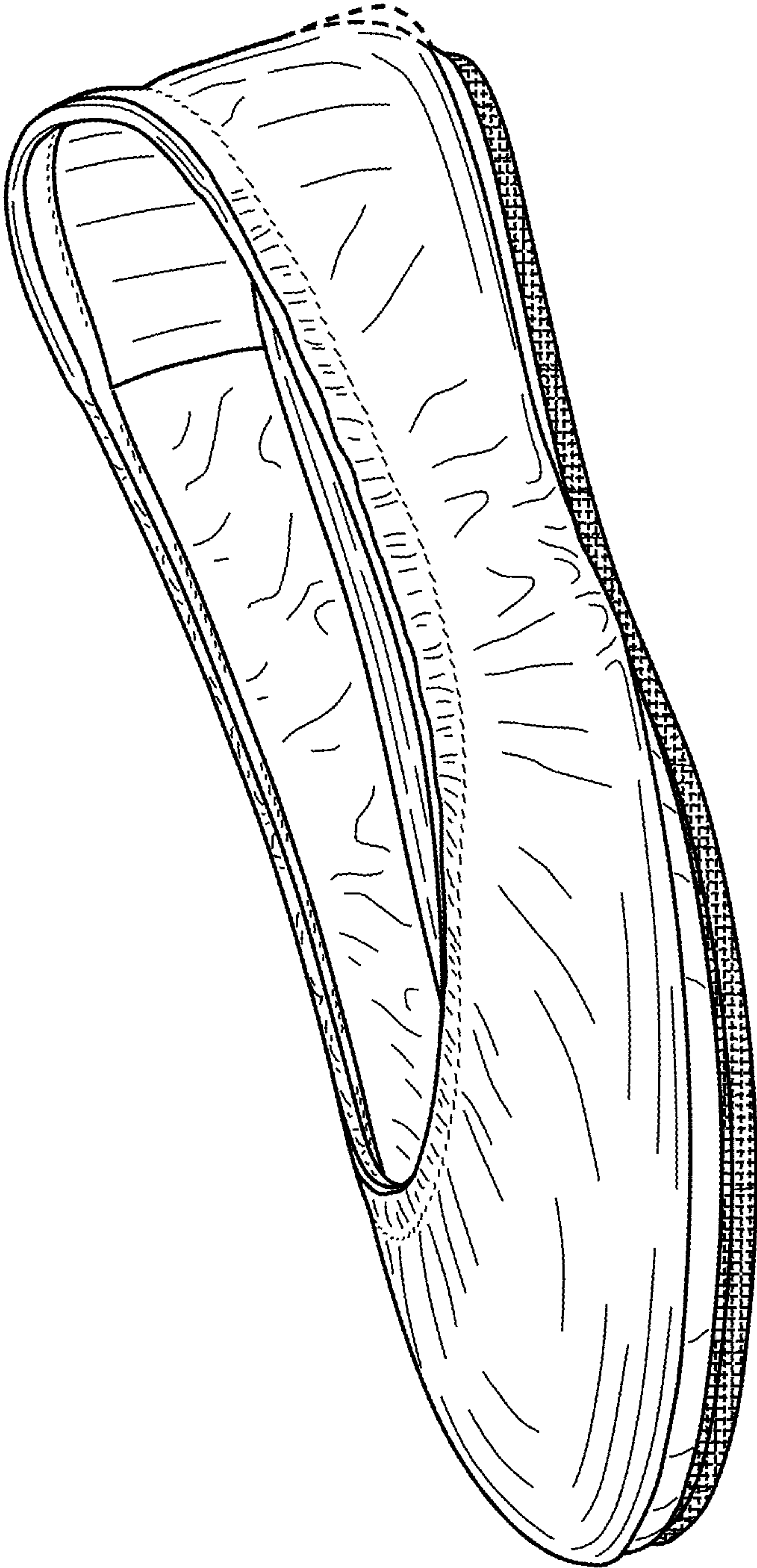


FIG. 1

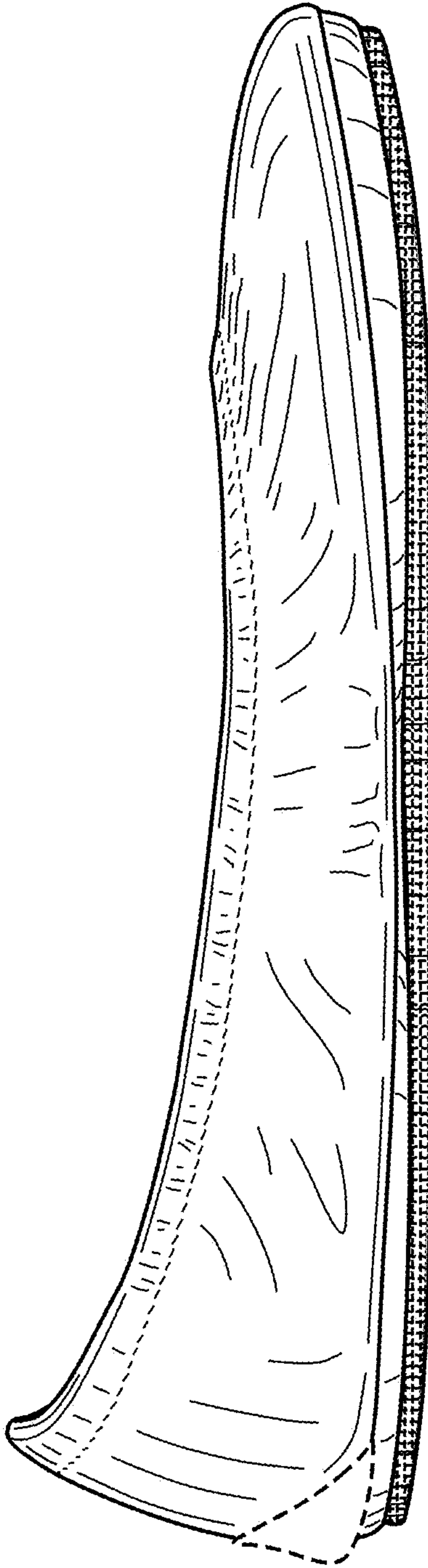


FIG. 2

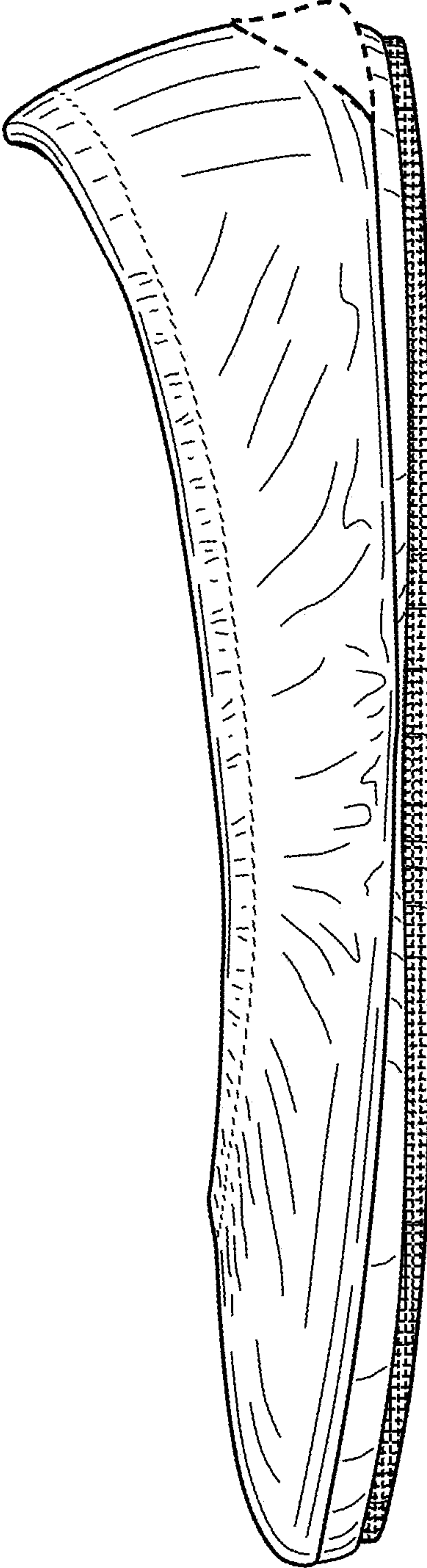


FIG. 3

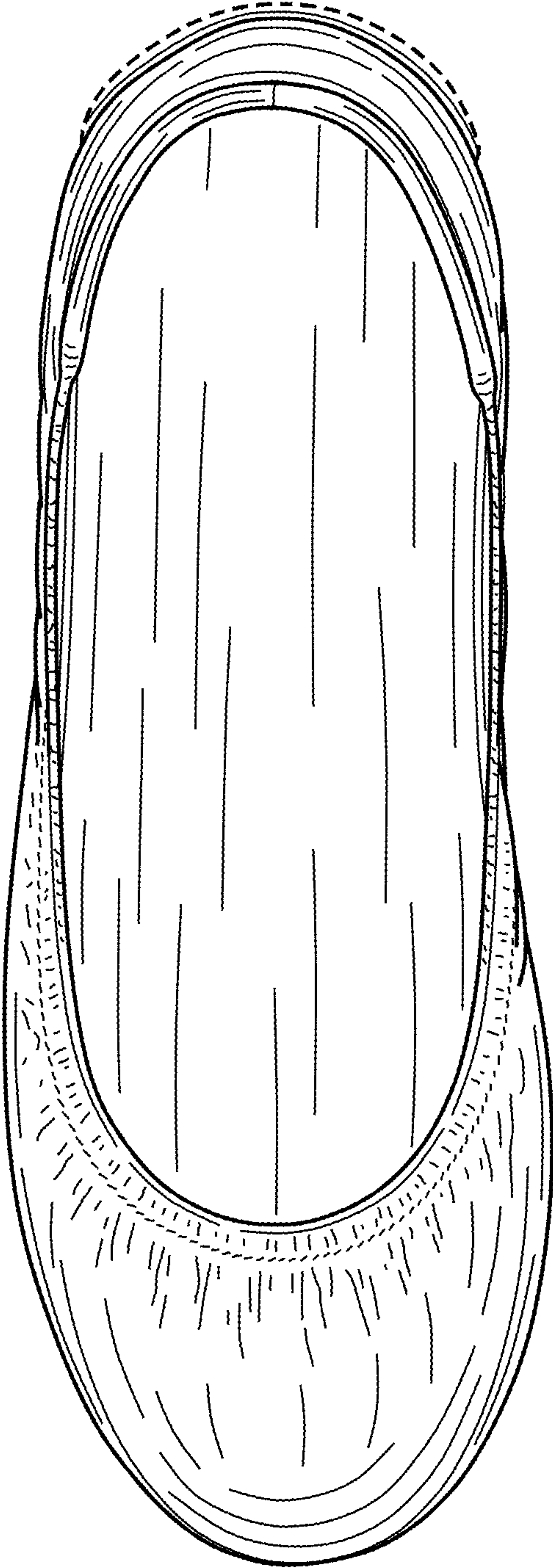


FIG. 4

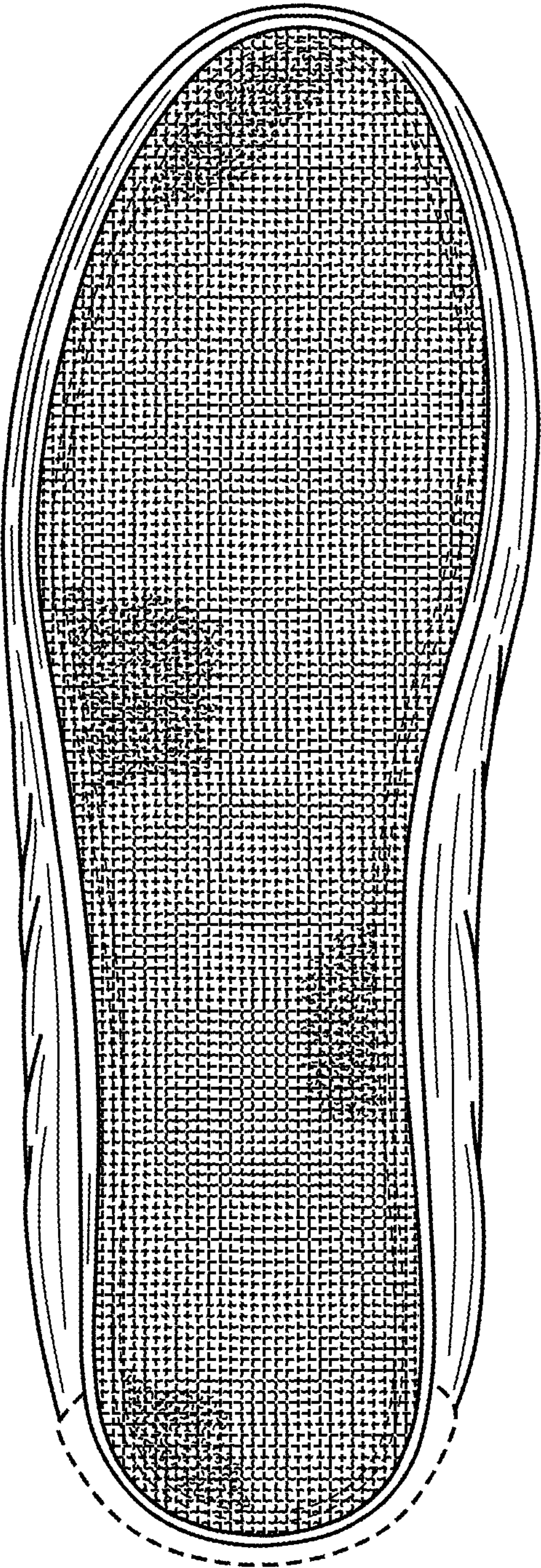


FIG. 5

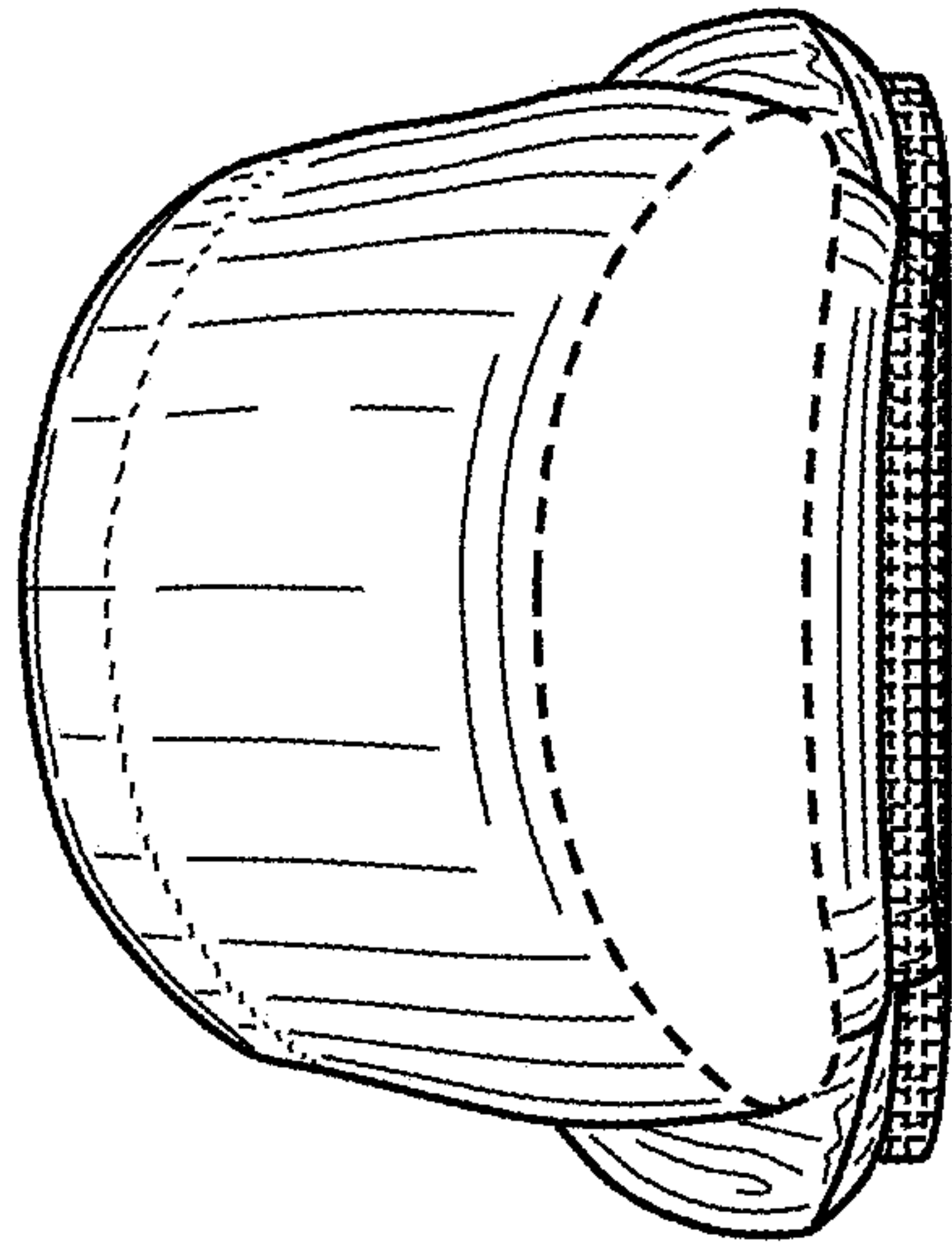


FIG. 6

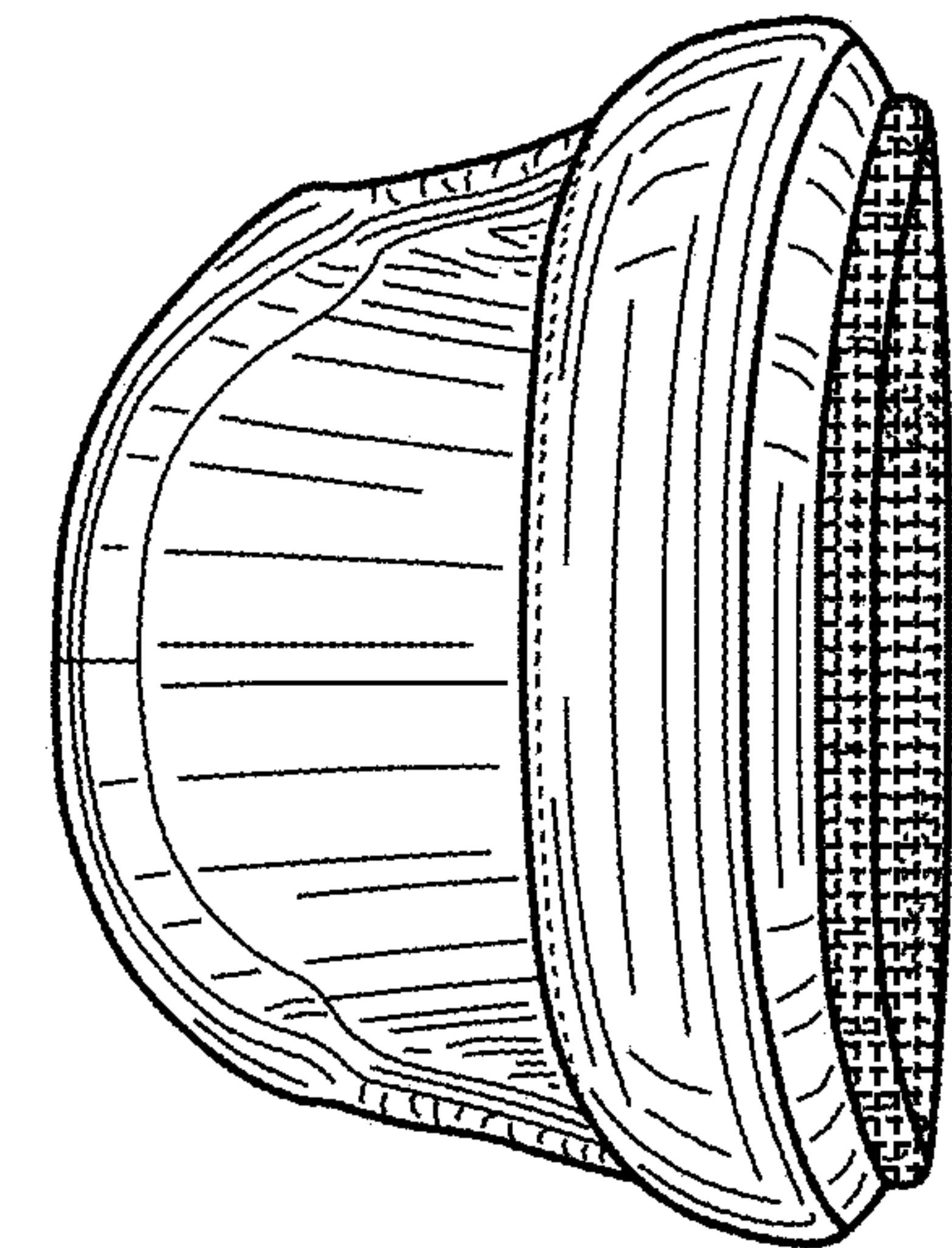


FIG. 7

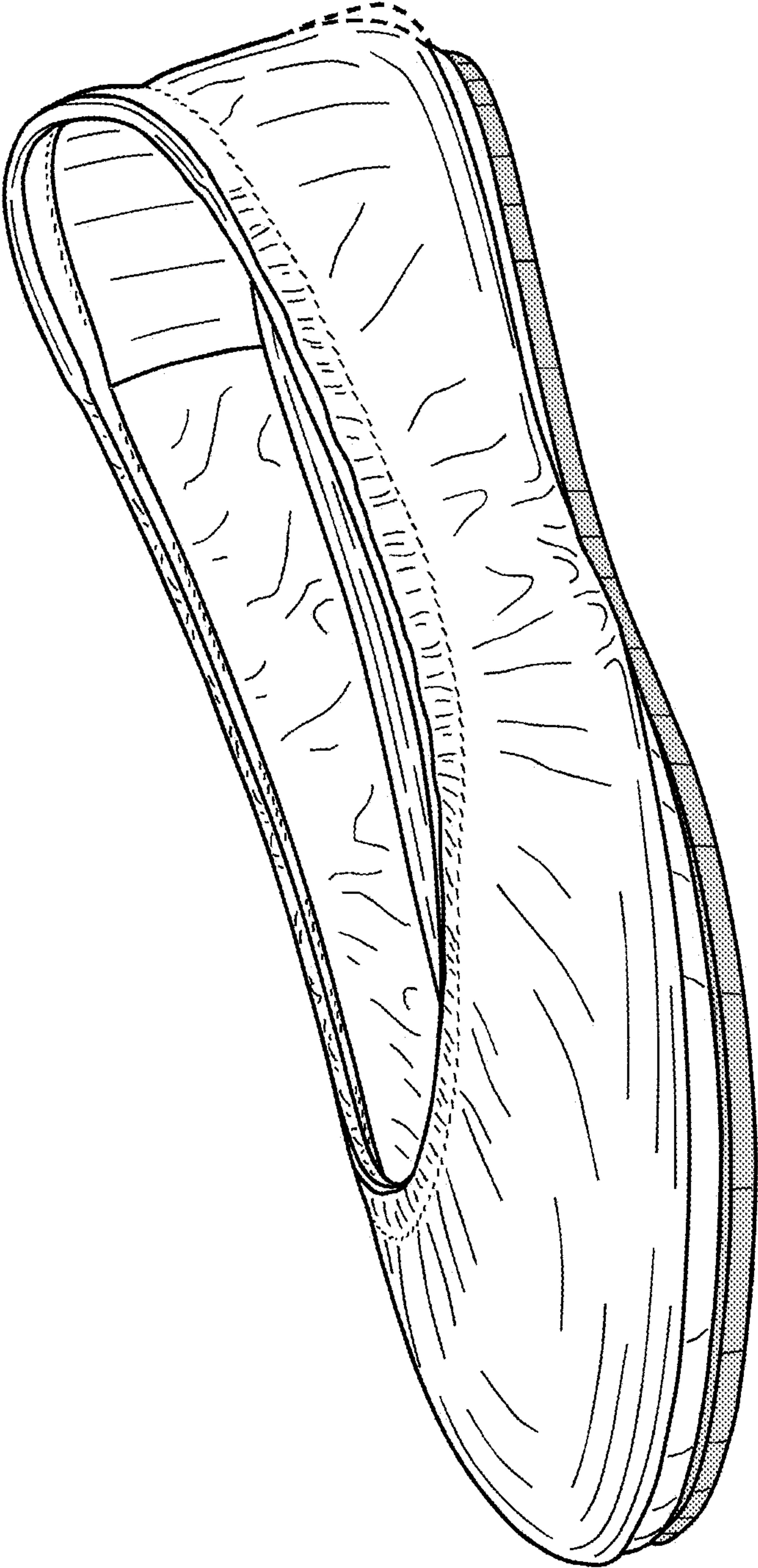


FIG. 8

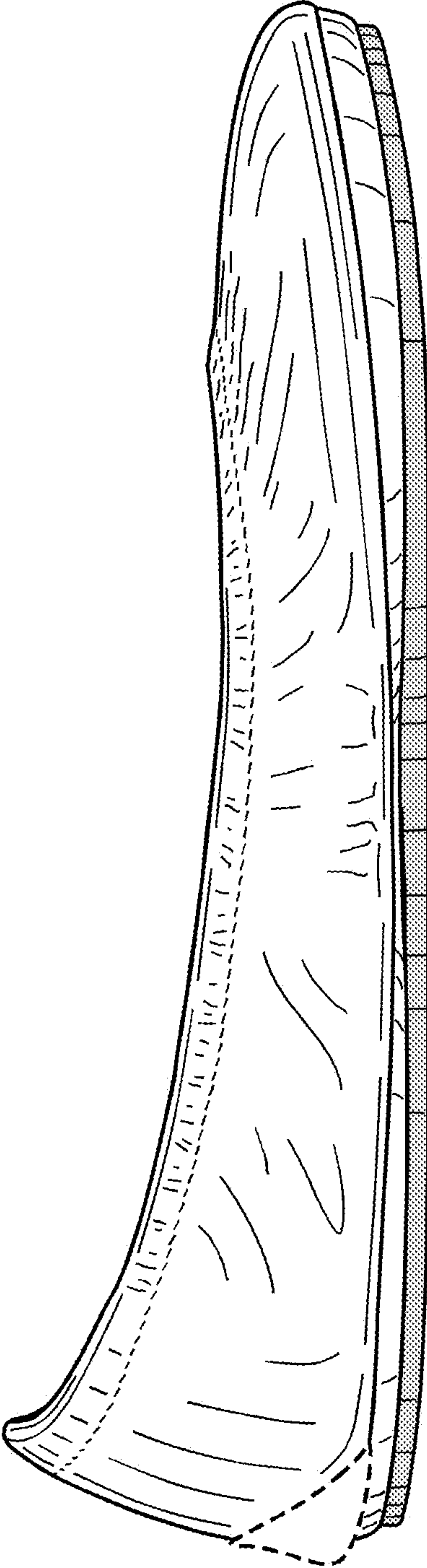


FIG. 9

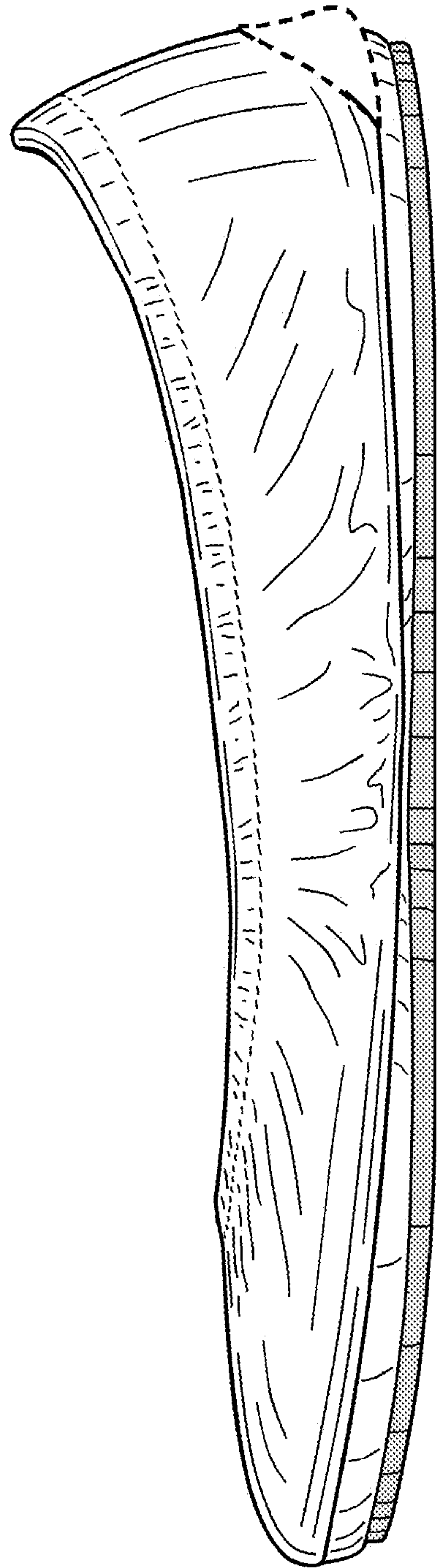


FIG. 10

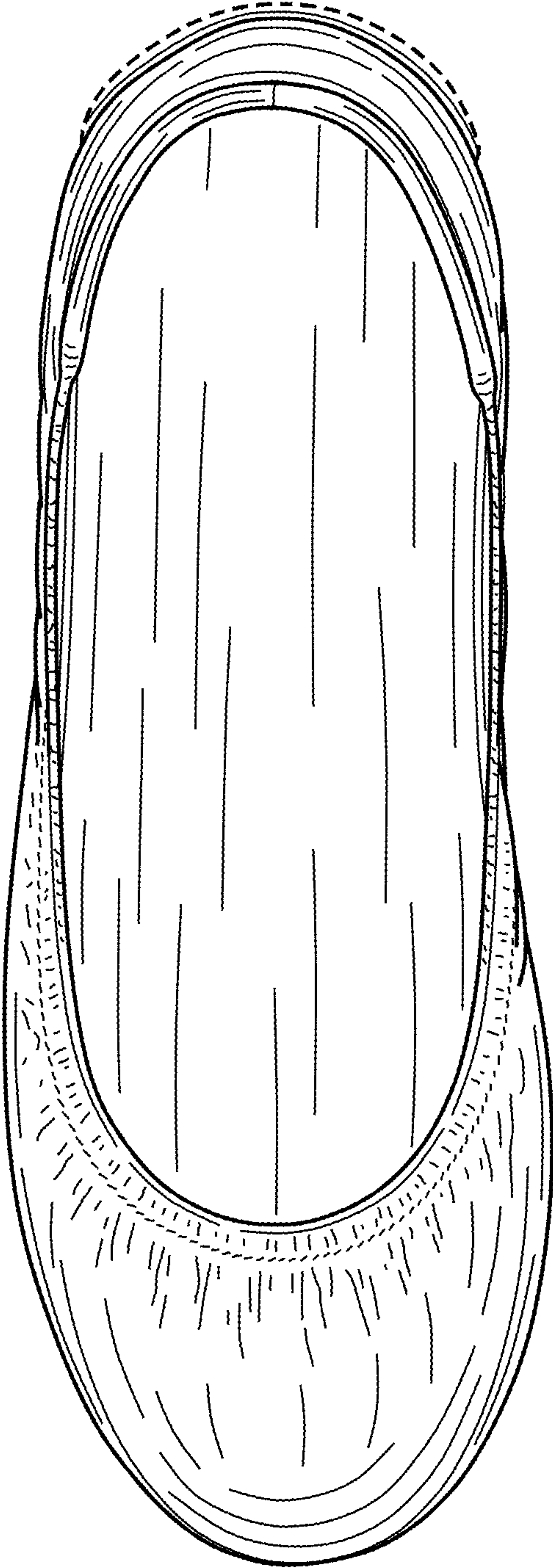


FIG. 11

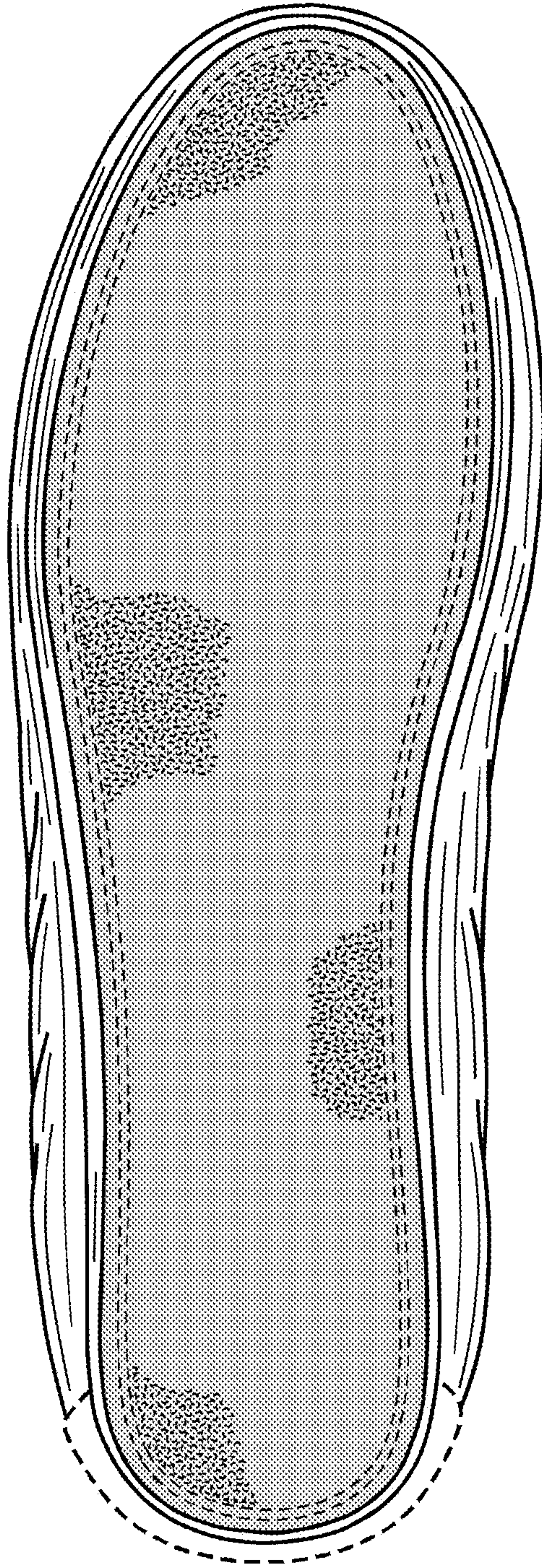


FIG. 12

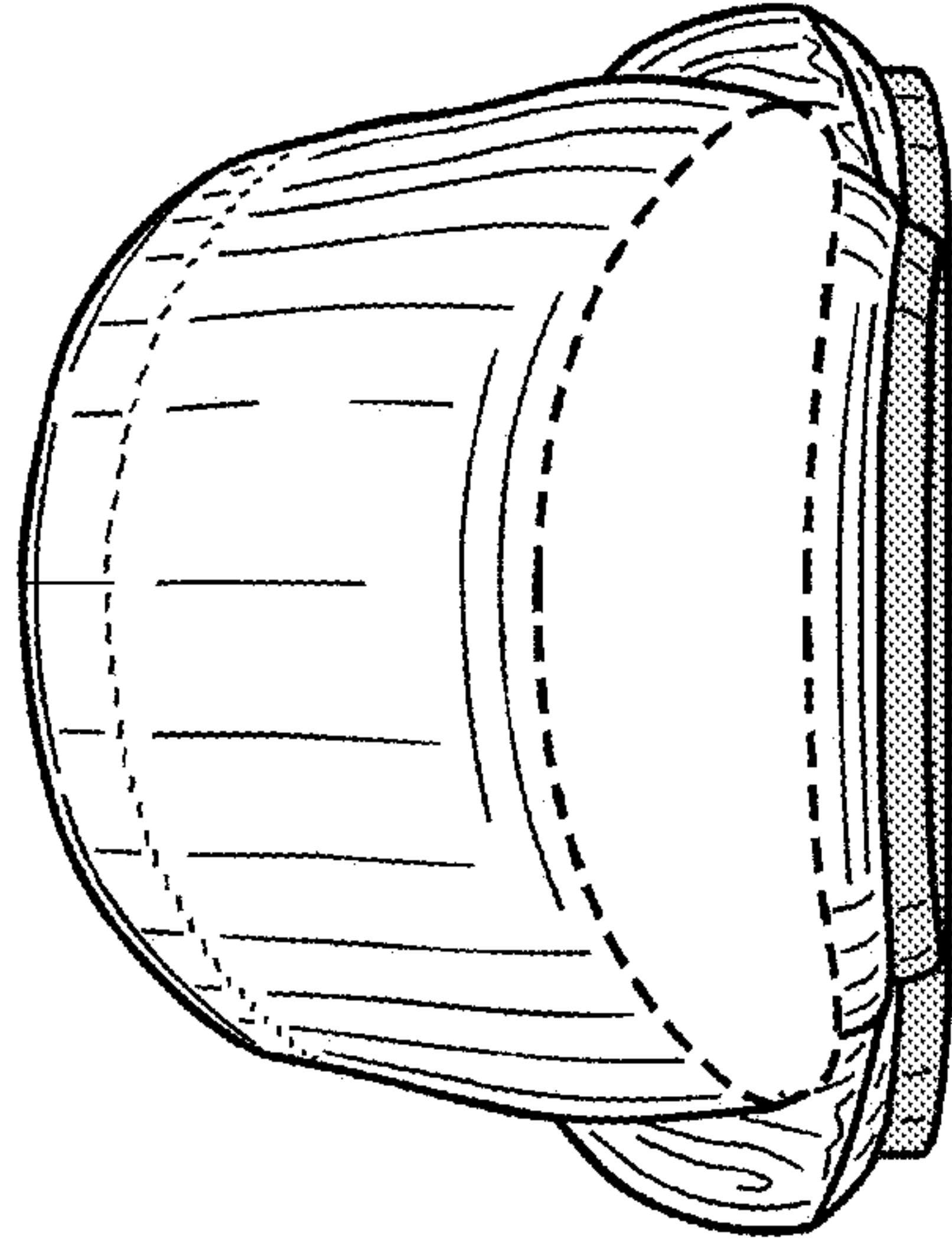


FIG. 14

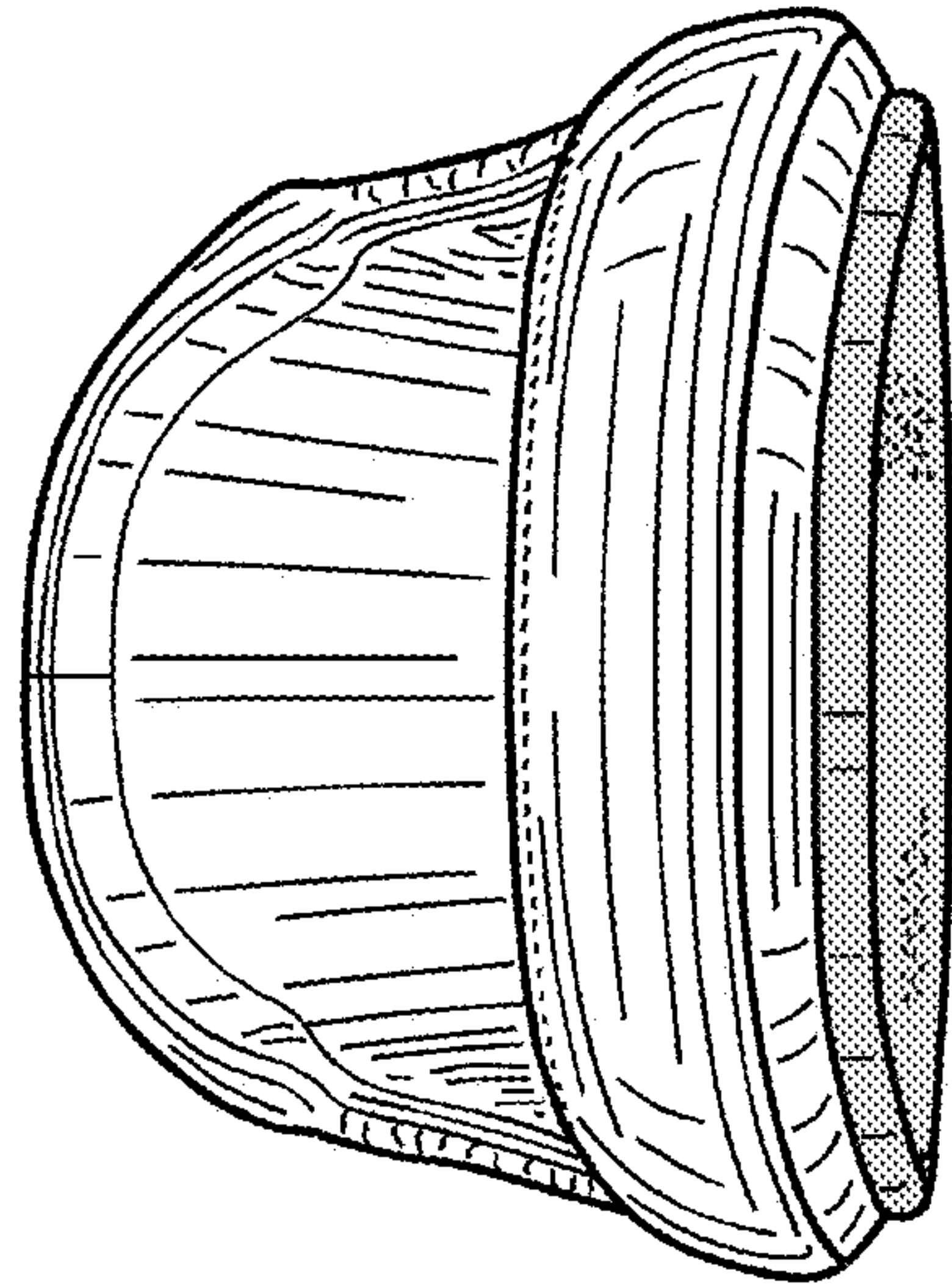


FIG. 13

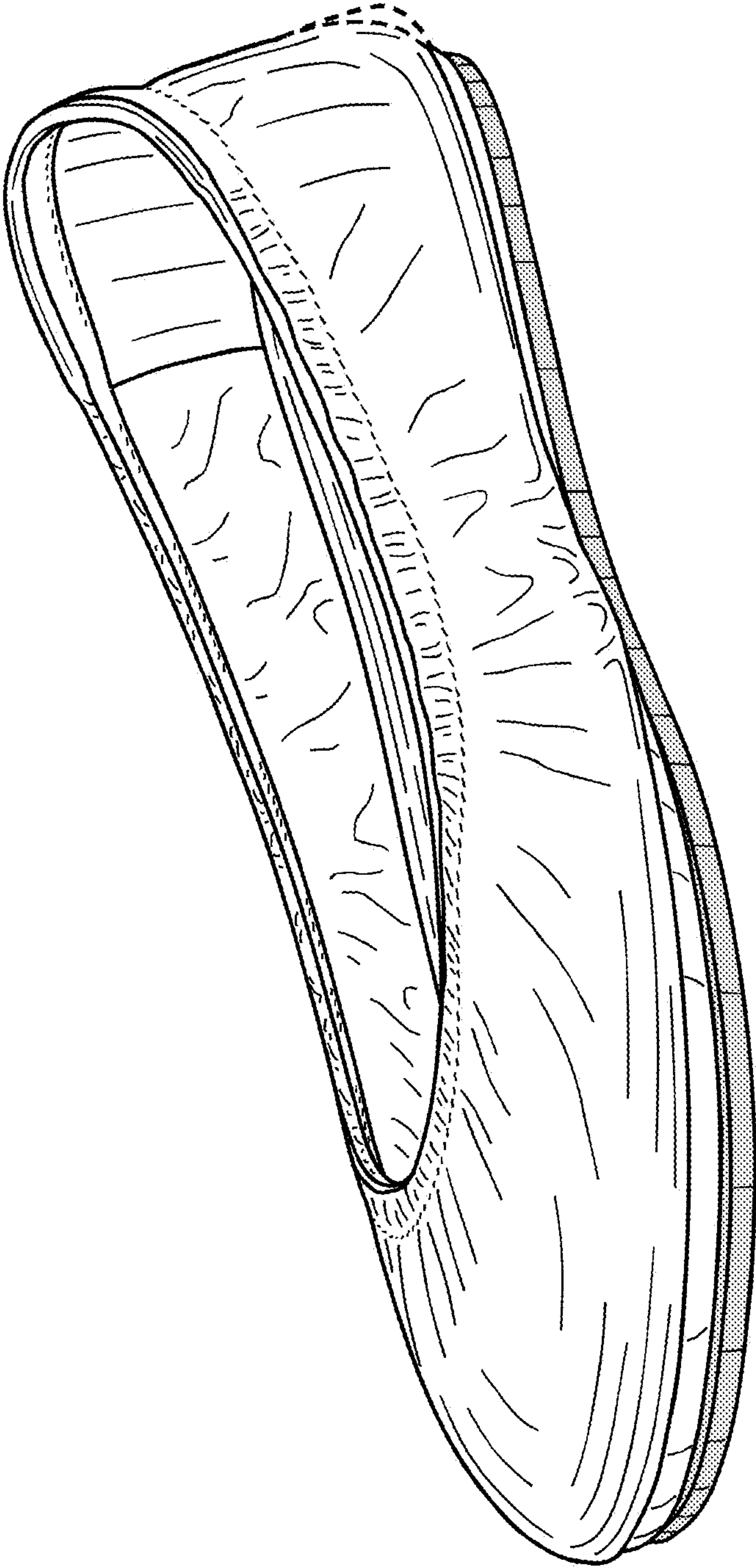


FIG. 15

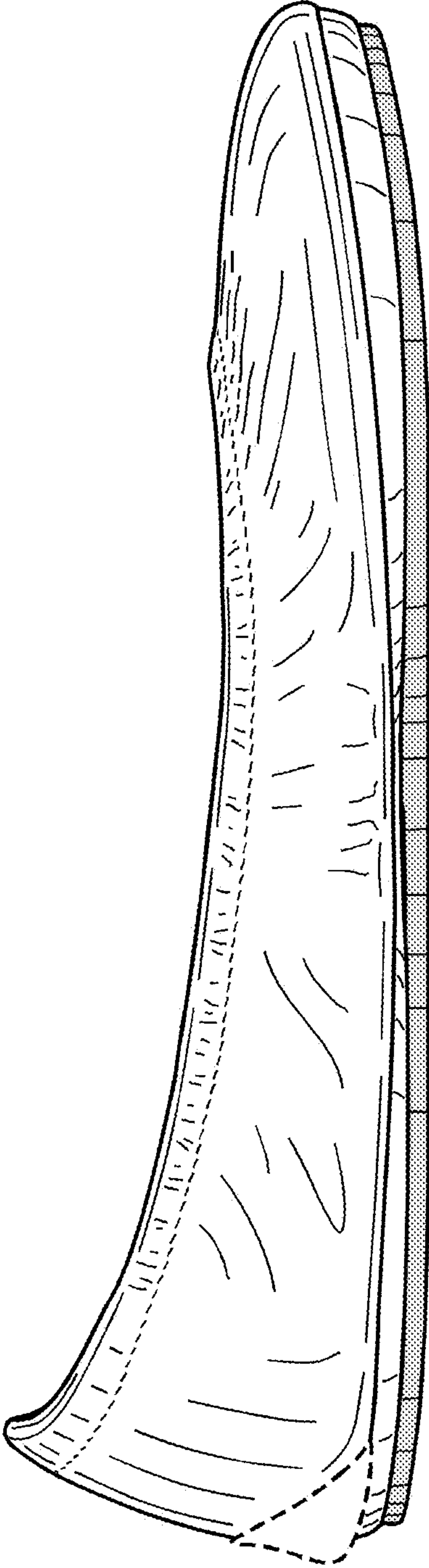


FIG. 16

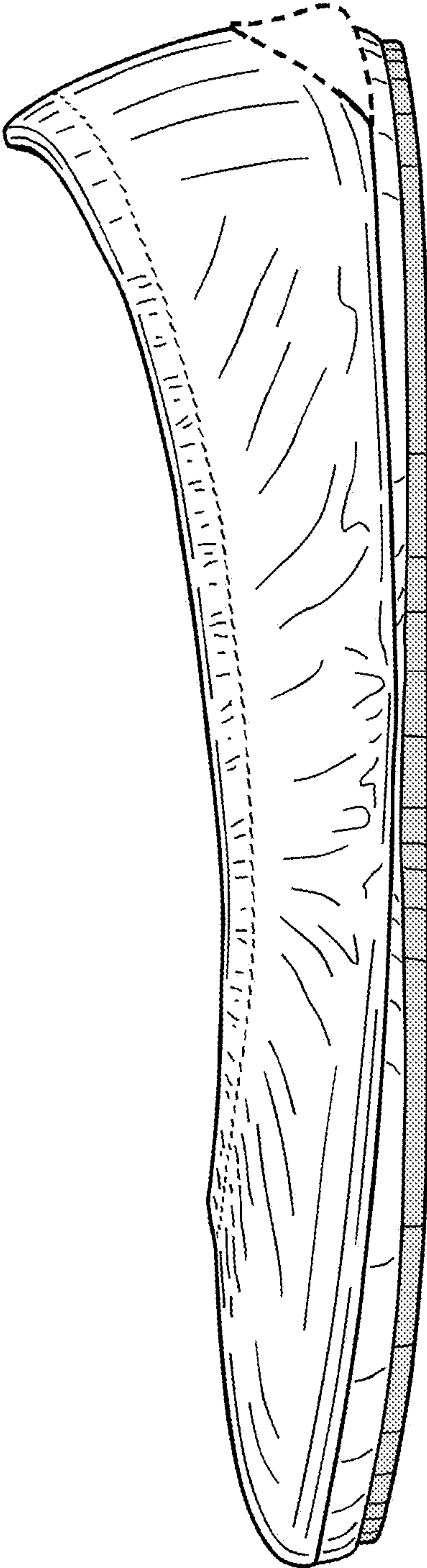


FIG. 17

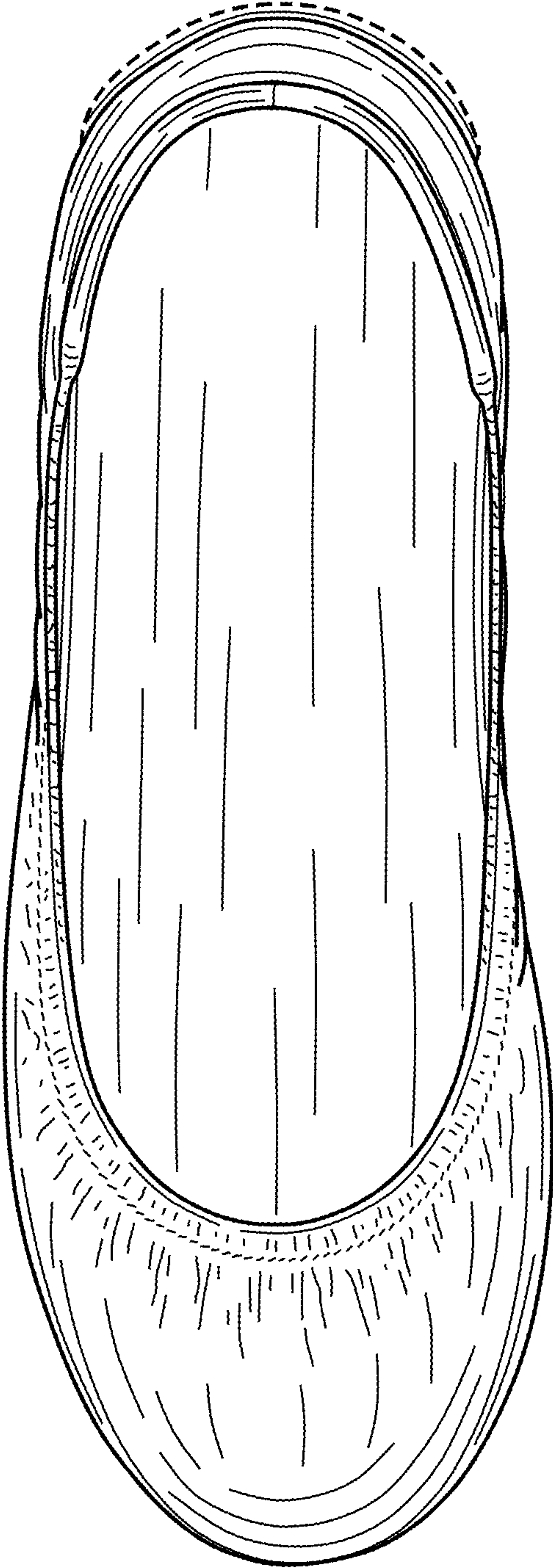


FIG. 18

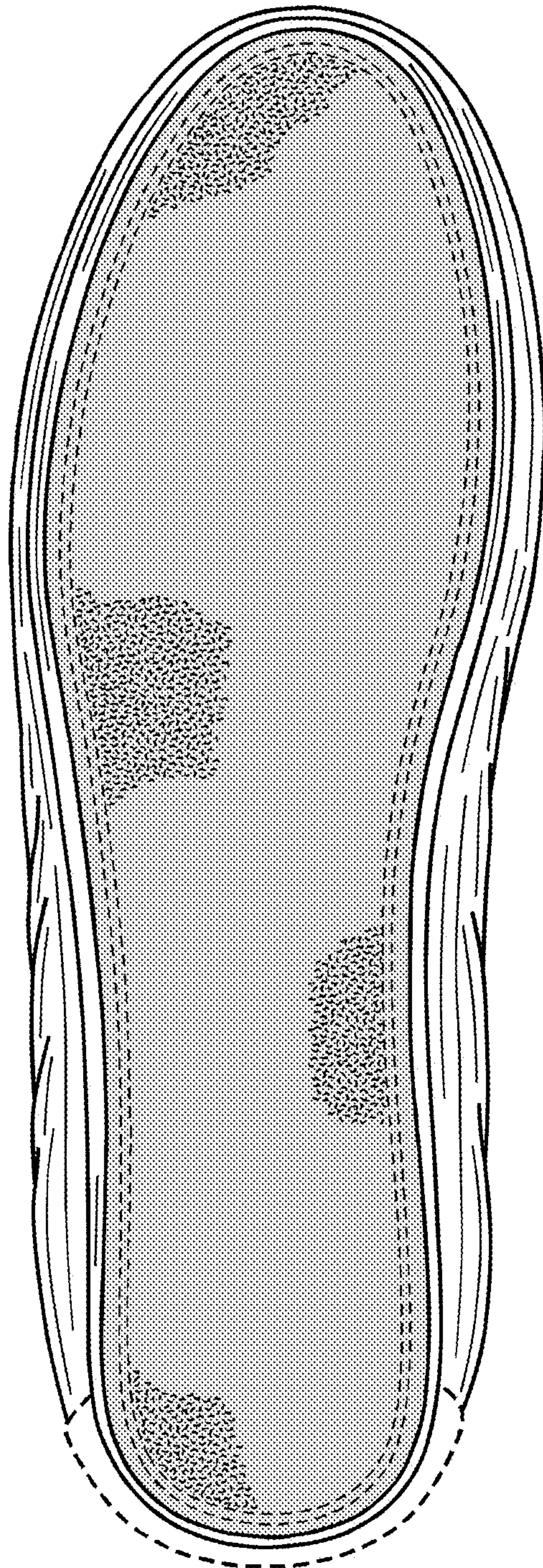


FIG. 19

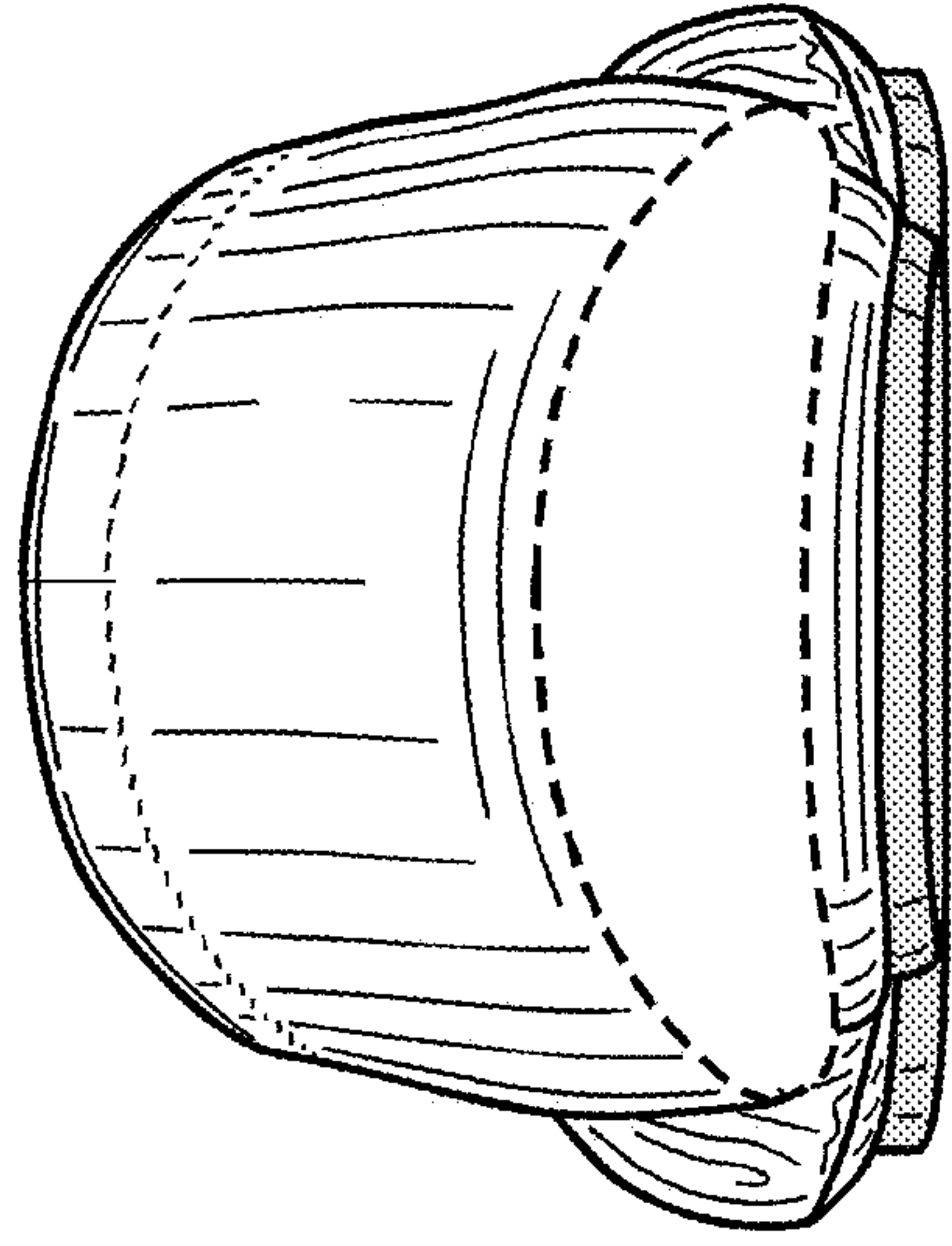


FIG. 21

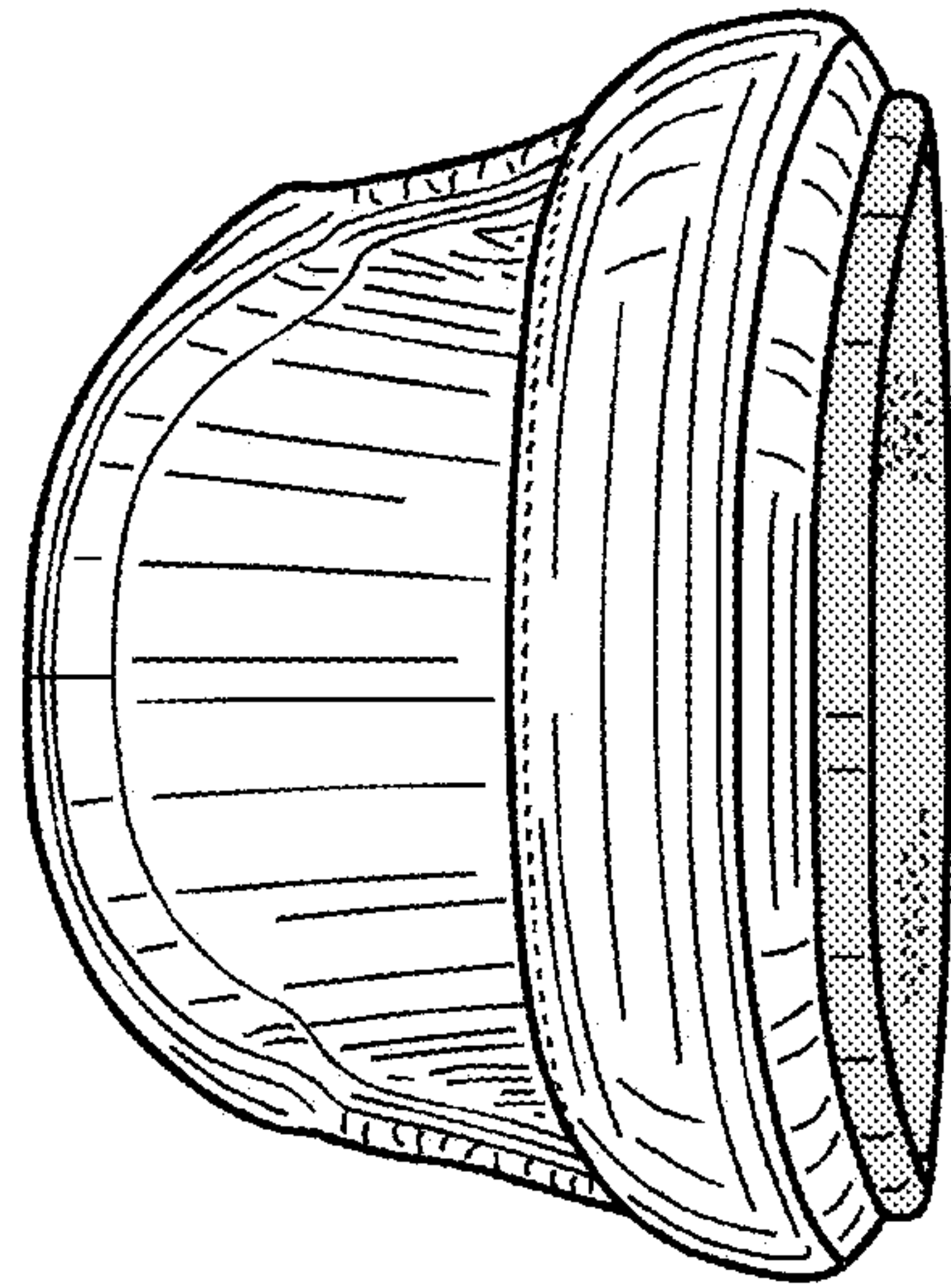


FIG. 20

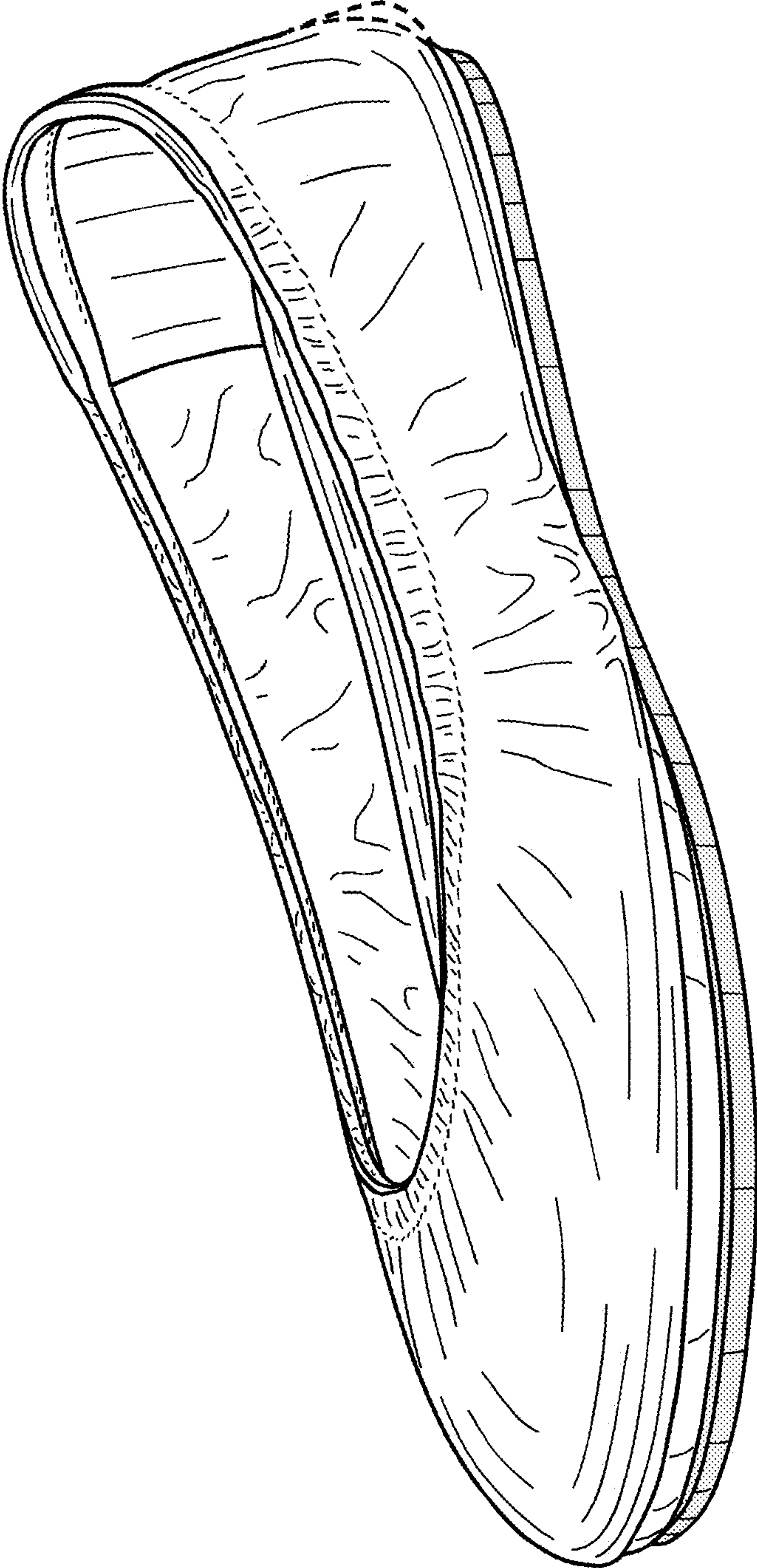


FIG. 22

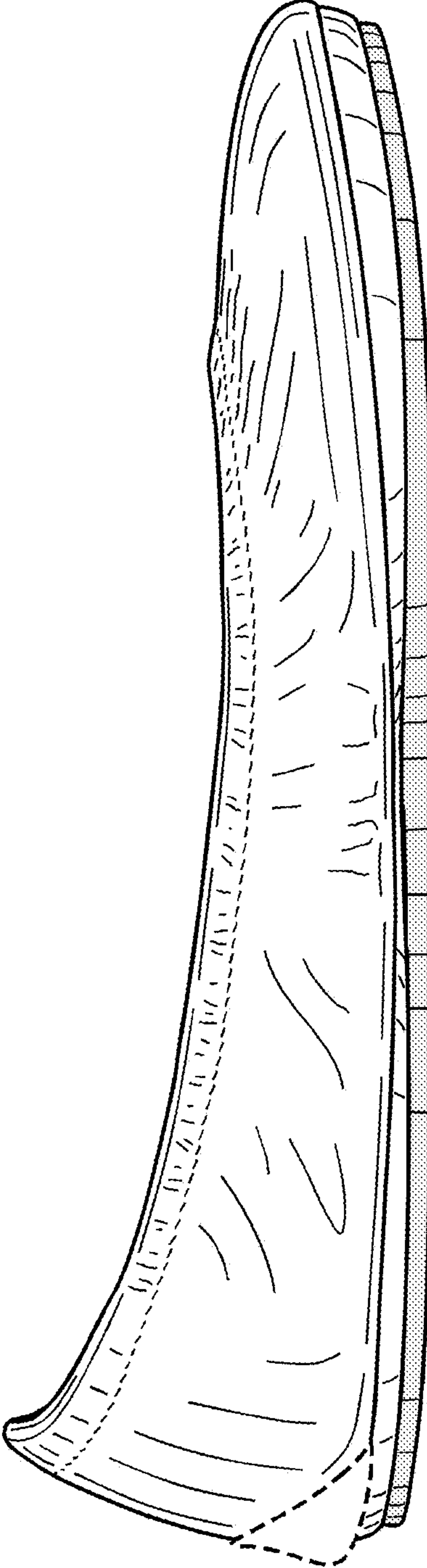


FIG. 23

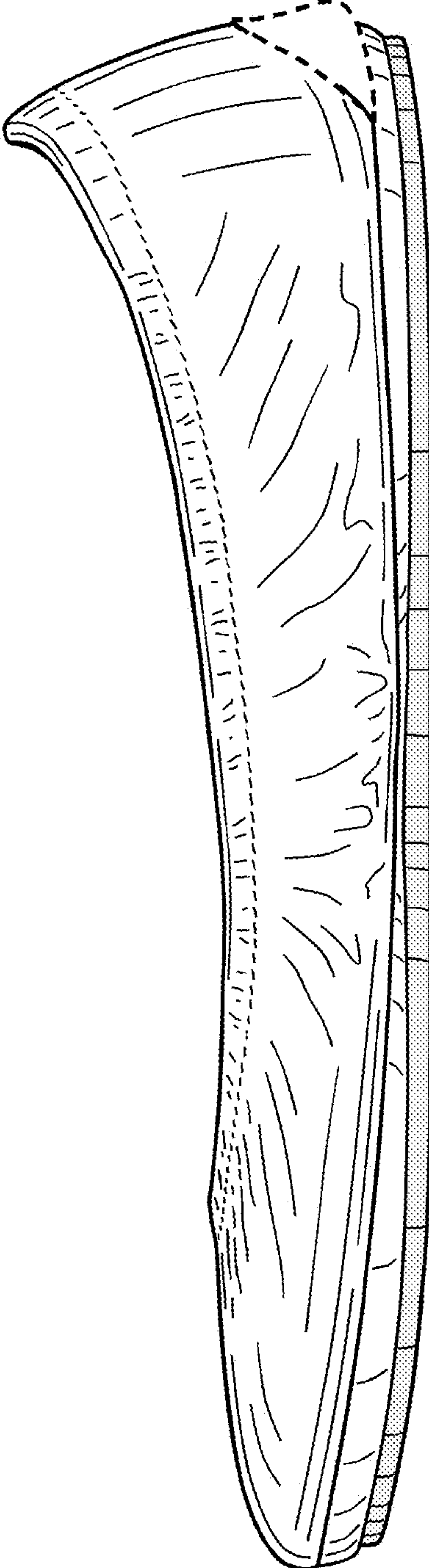


FIG. 24

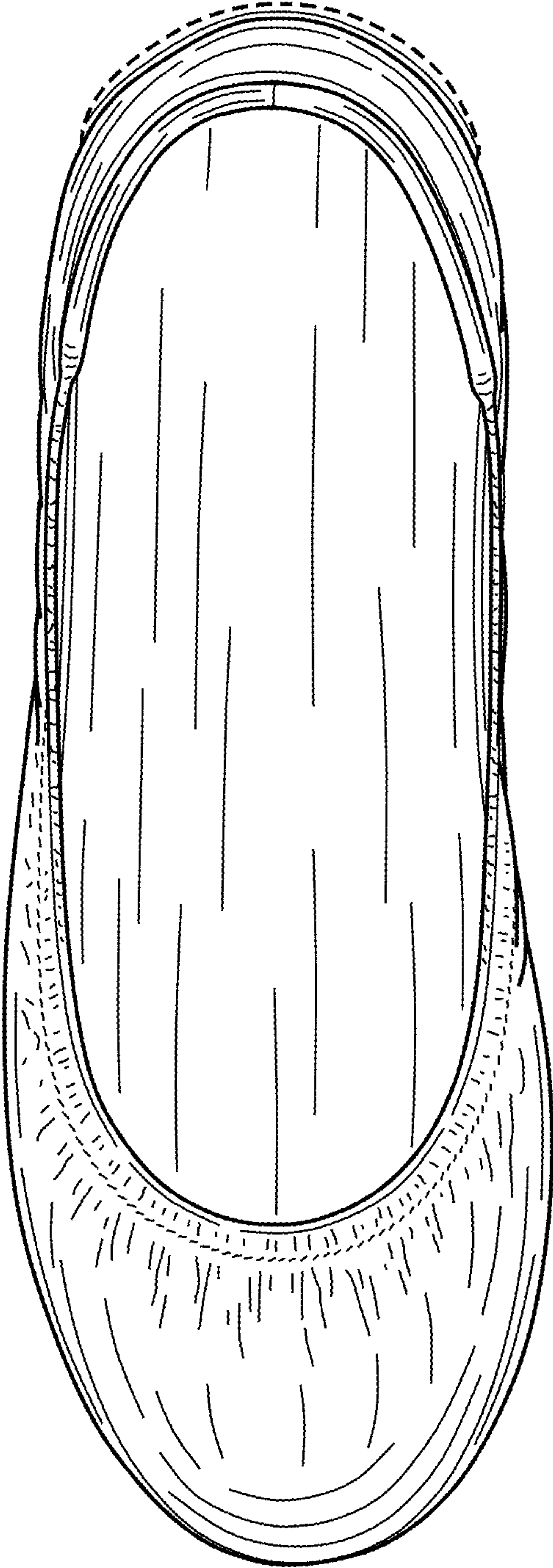


FIG. 25

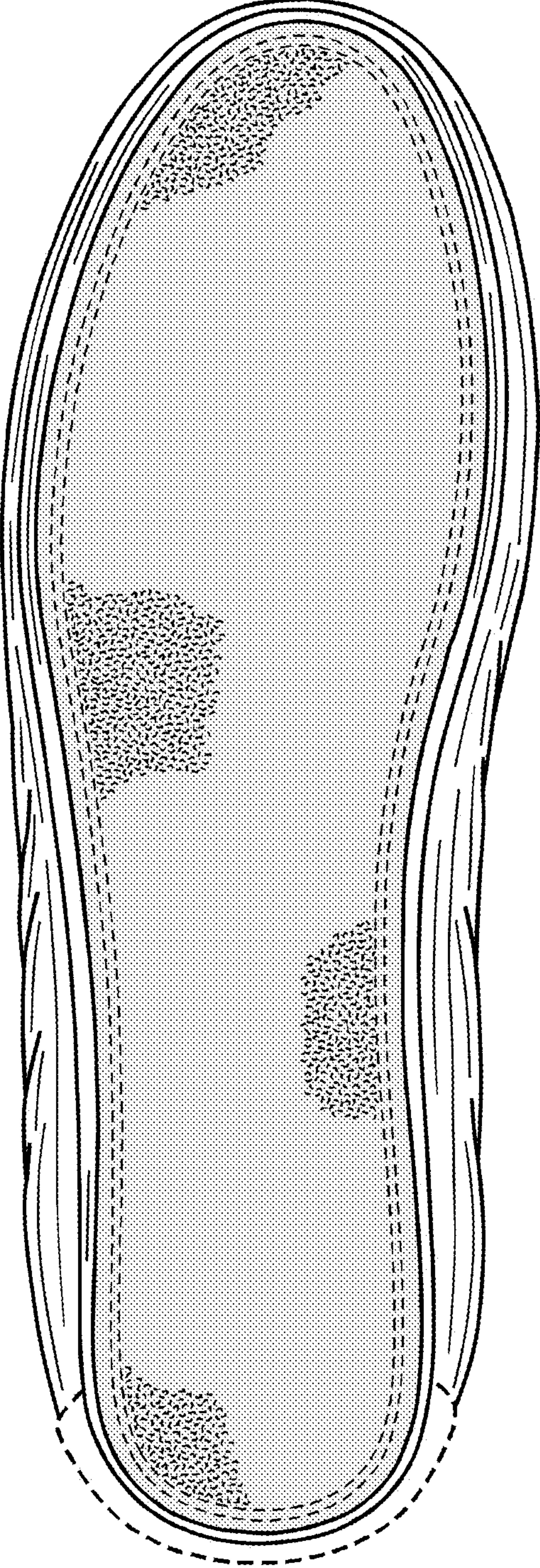


FIG. 26

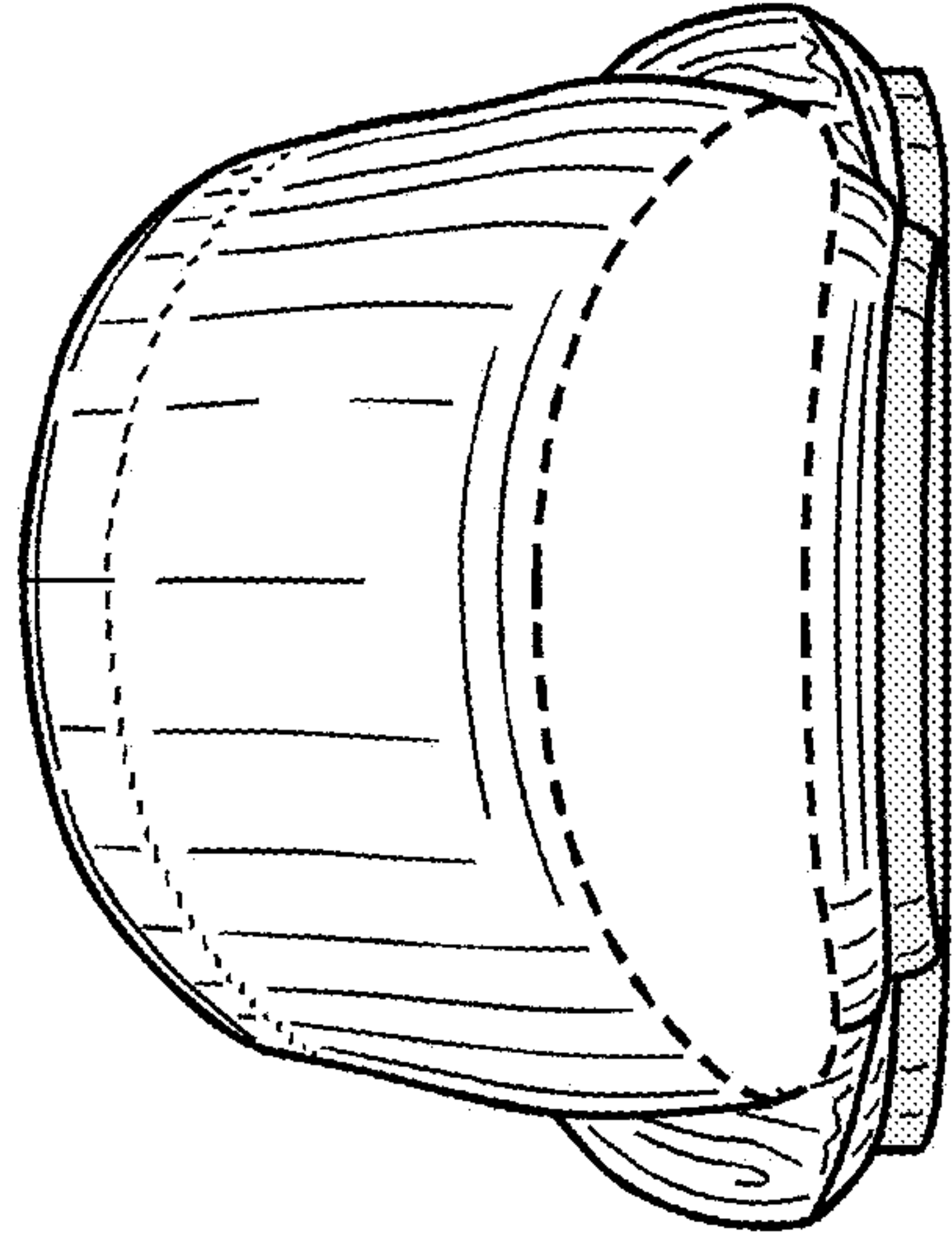


FIG. 27

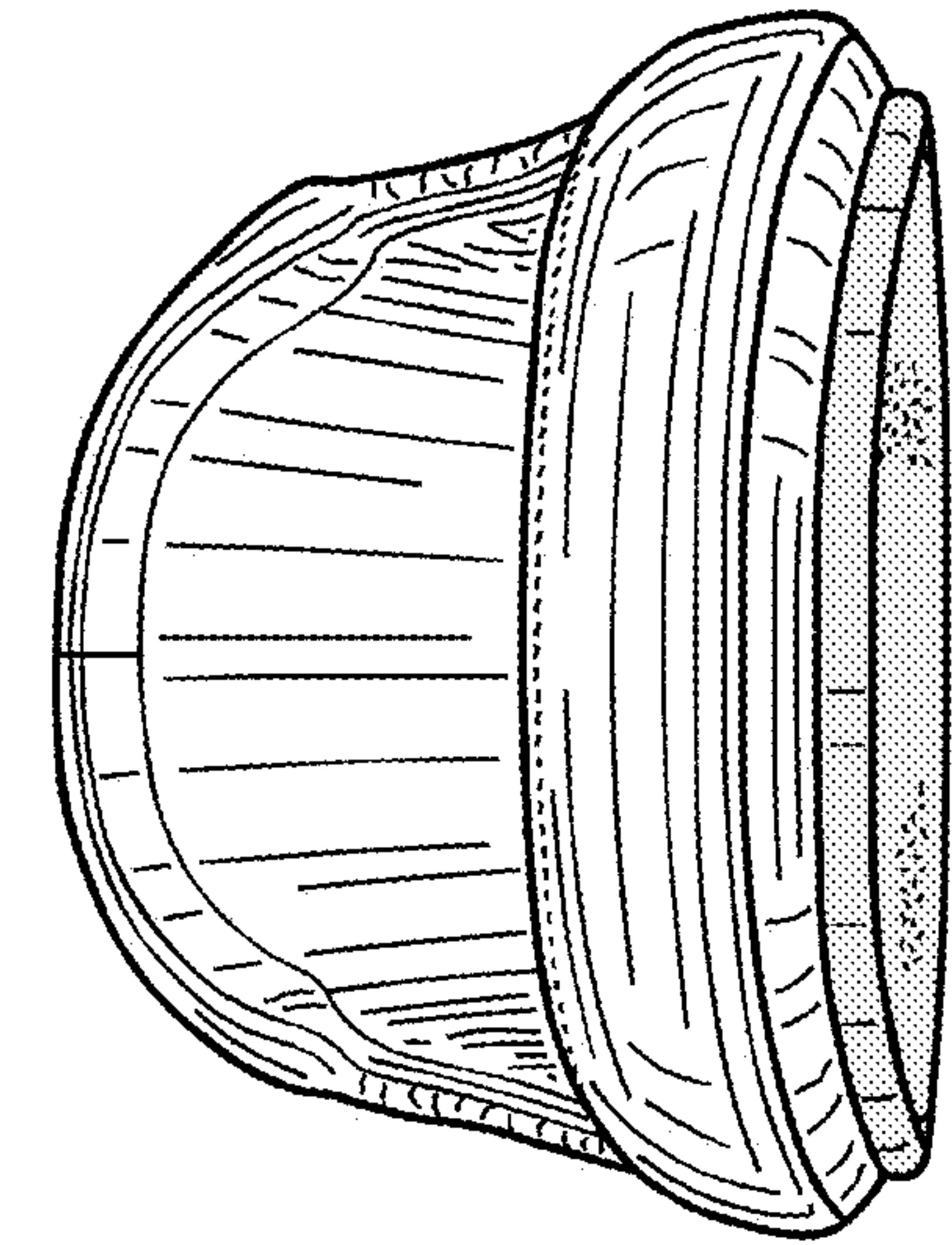


FIG. 28

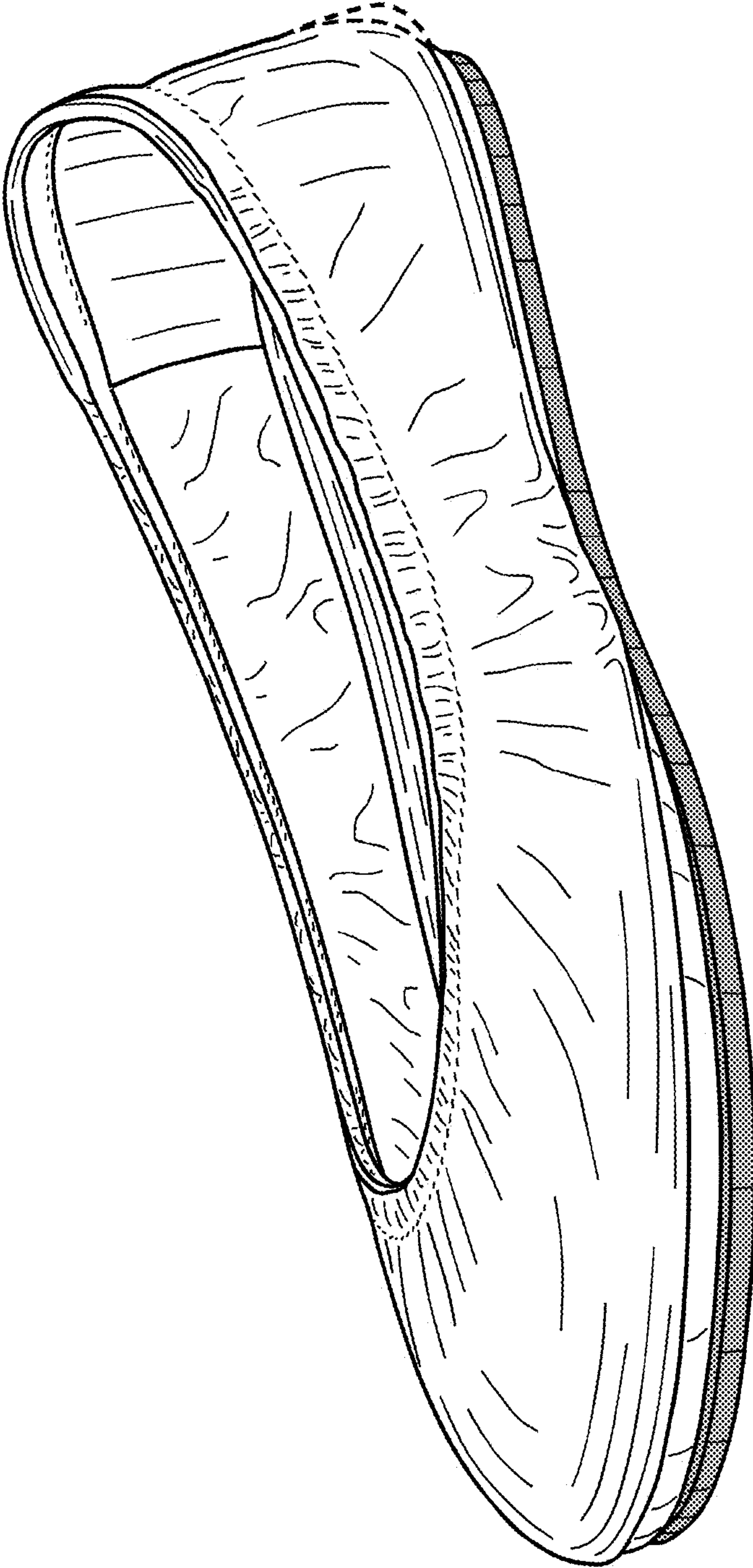


FIG. 29

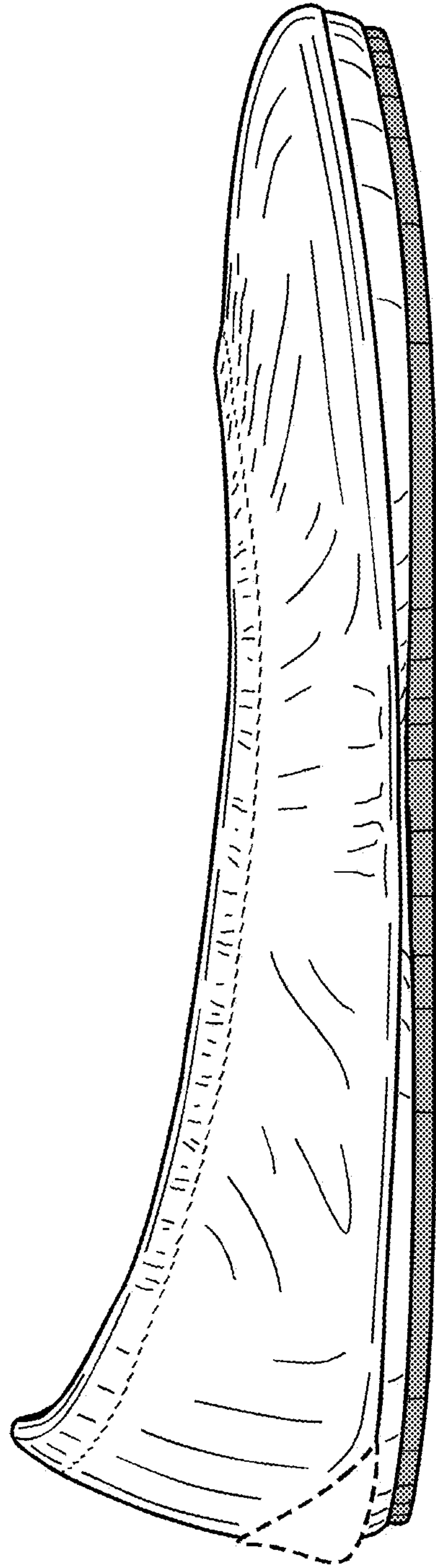


FIG. 30

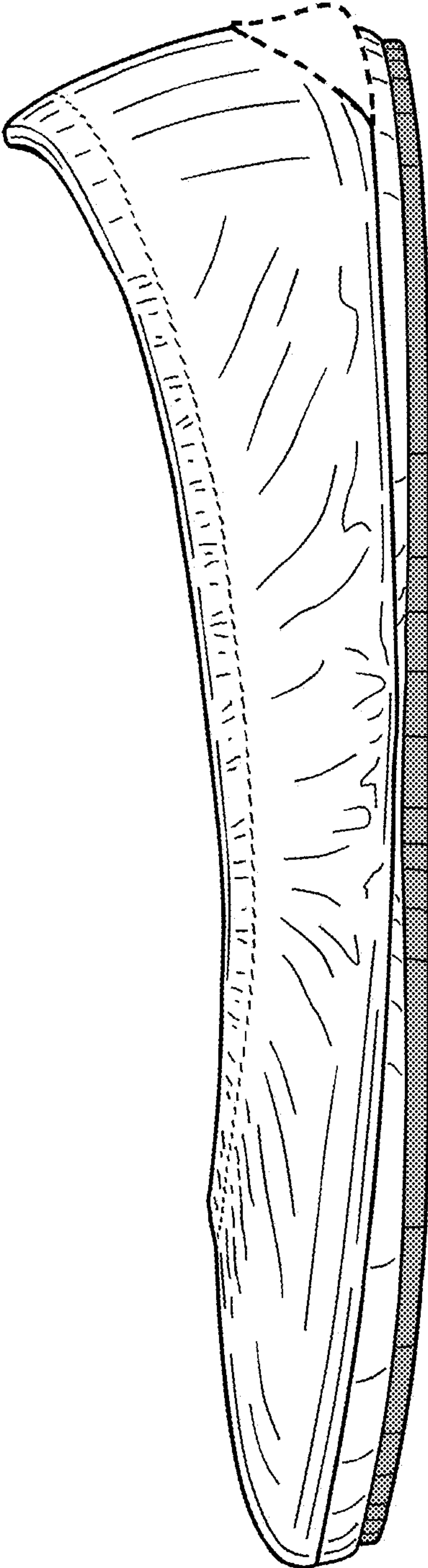


FIG. 31

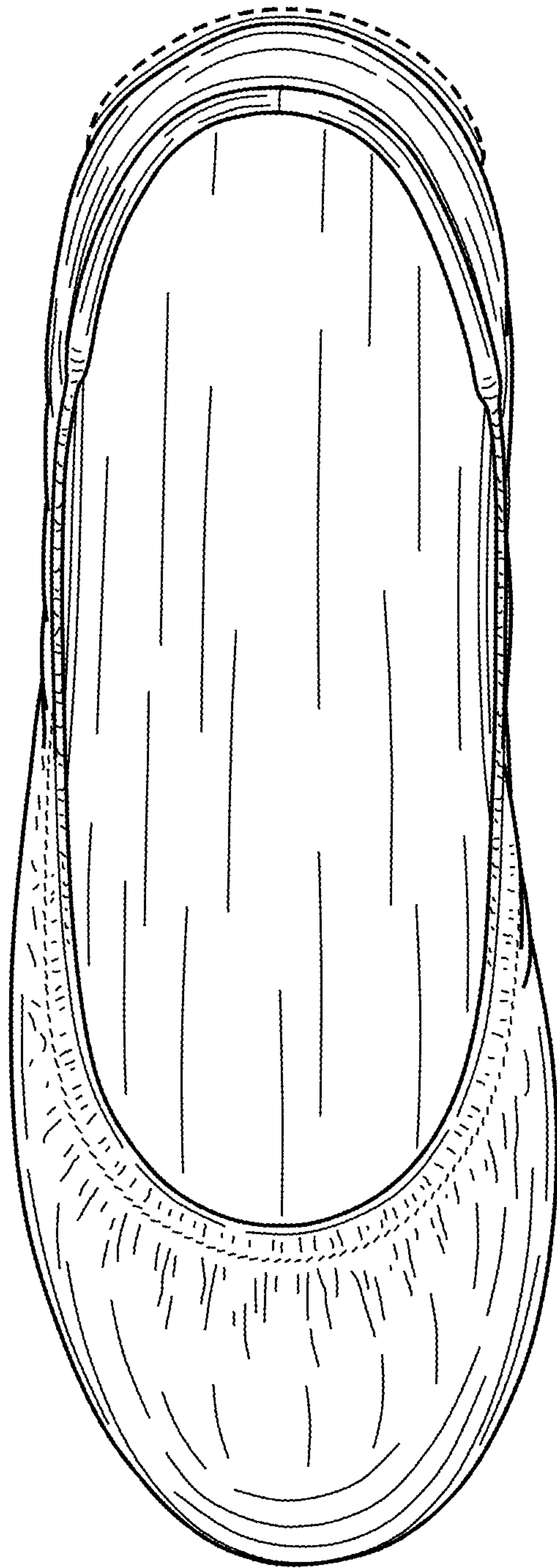


FIG. 32

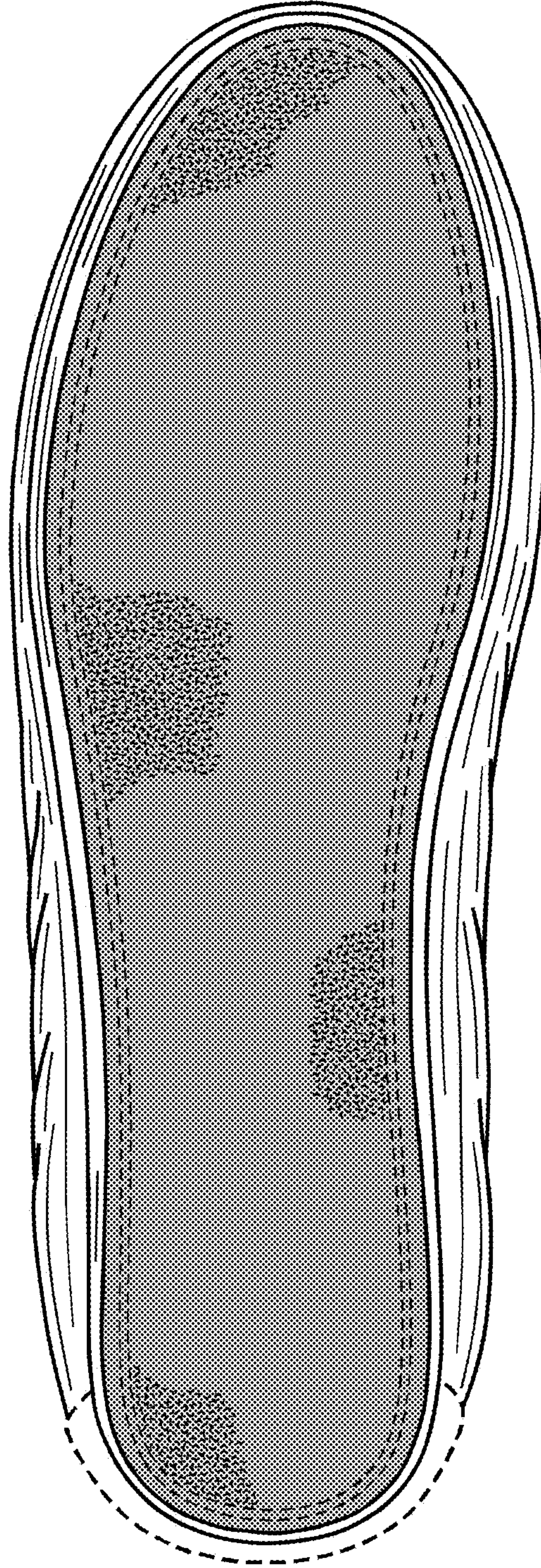


FIG. 33

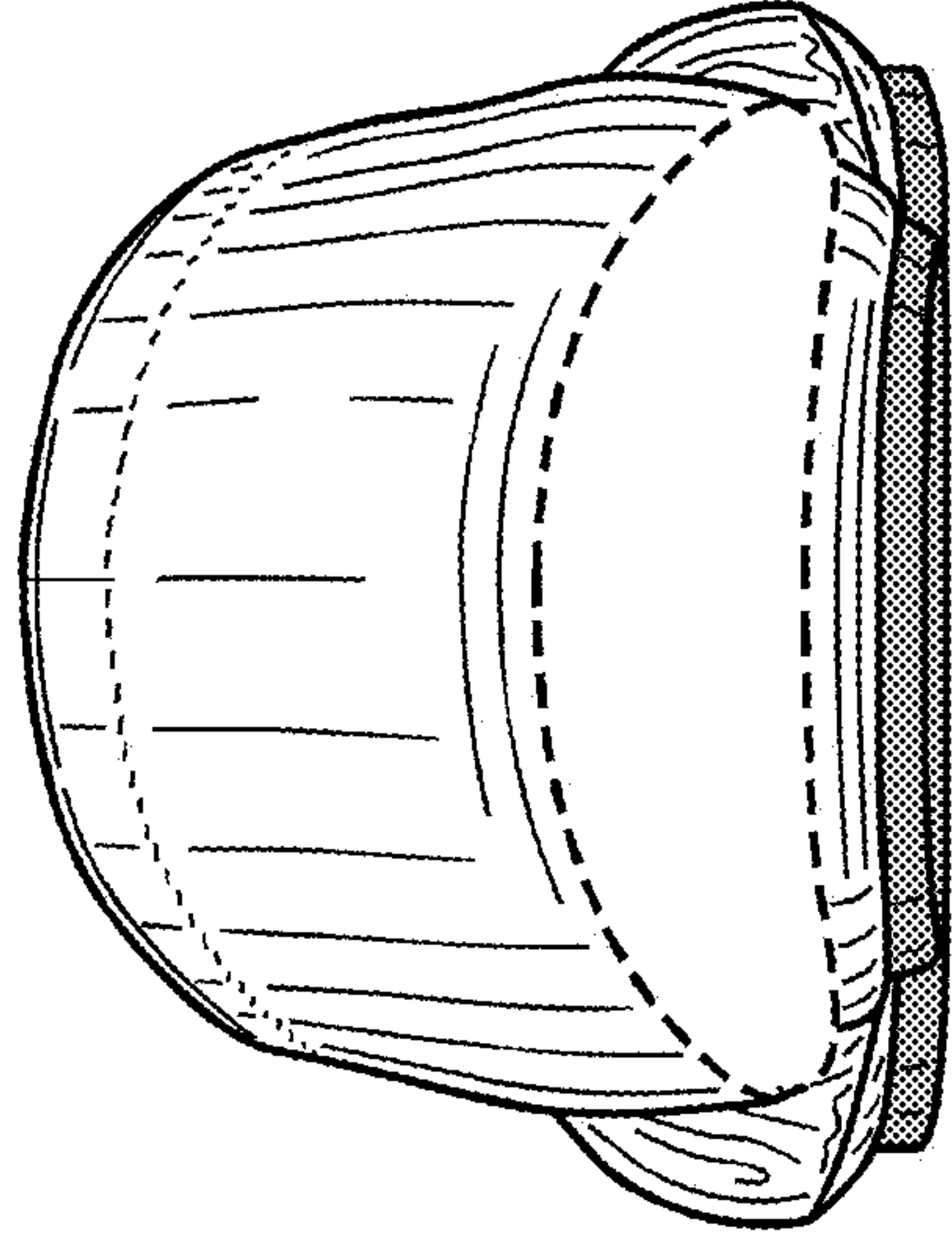


FIG. 35

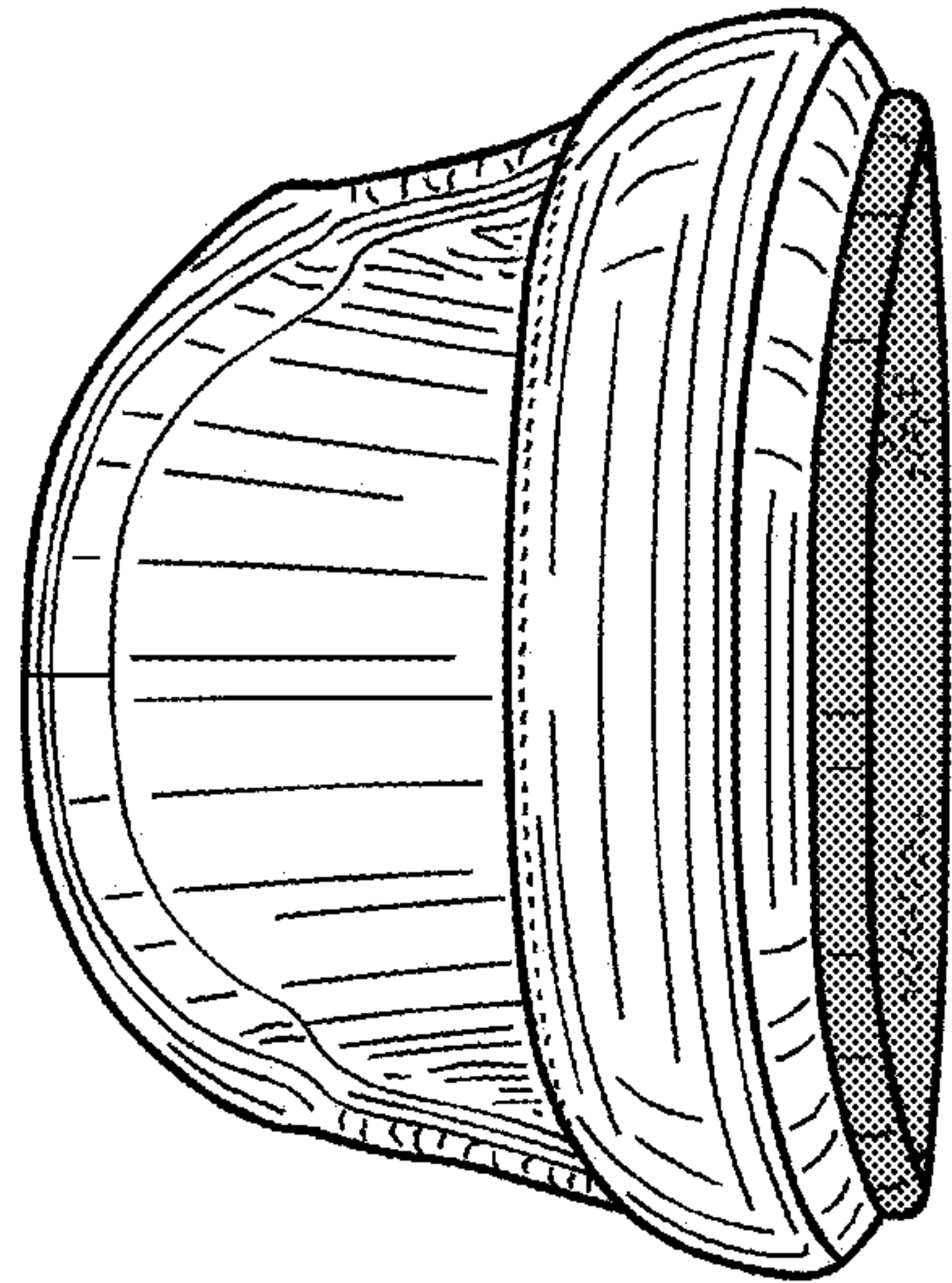


FIG. 34

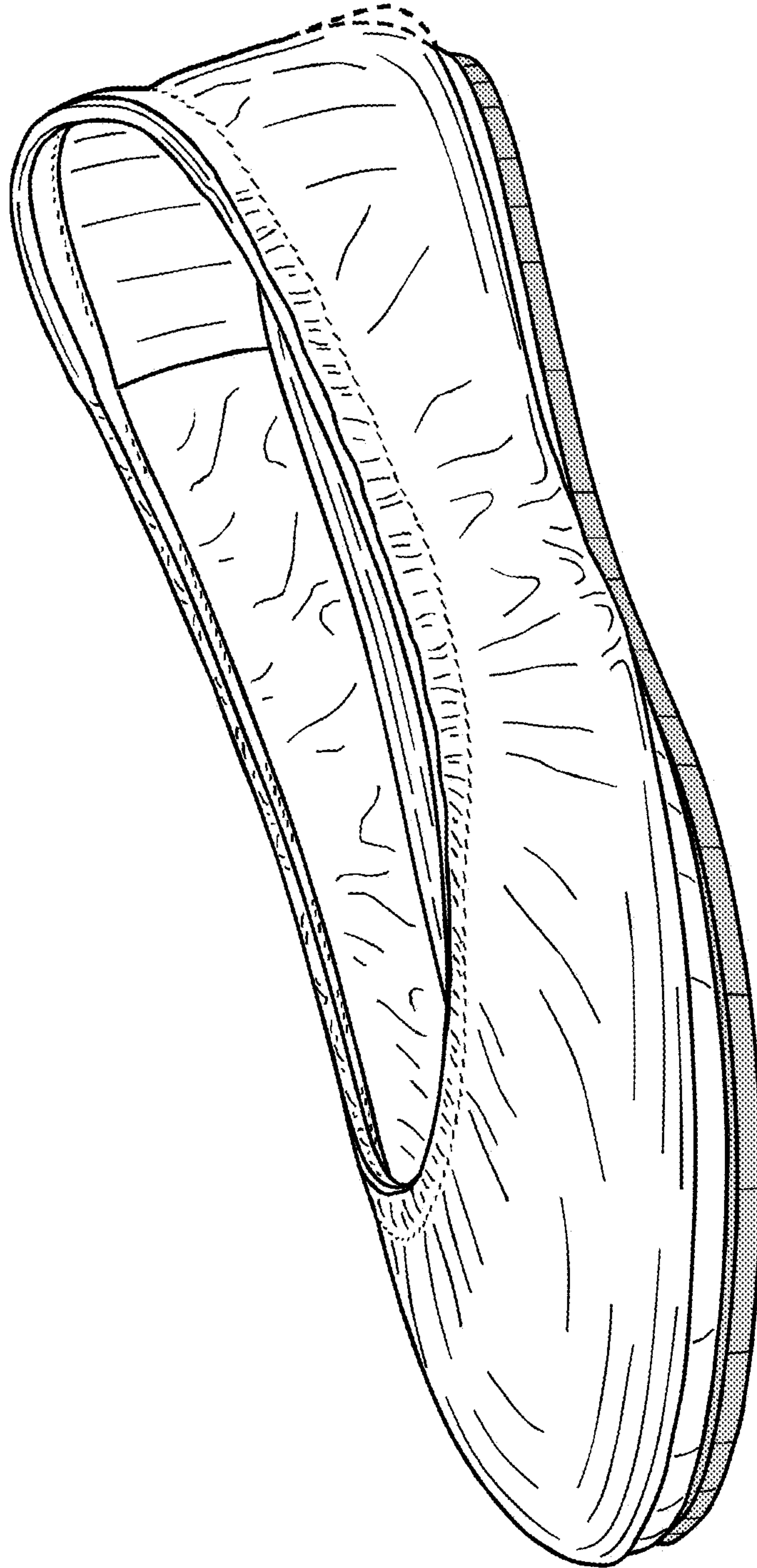


FIG. 36

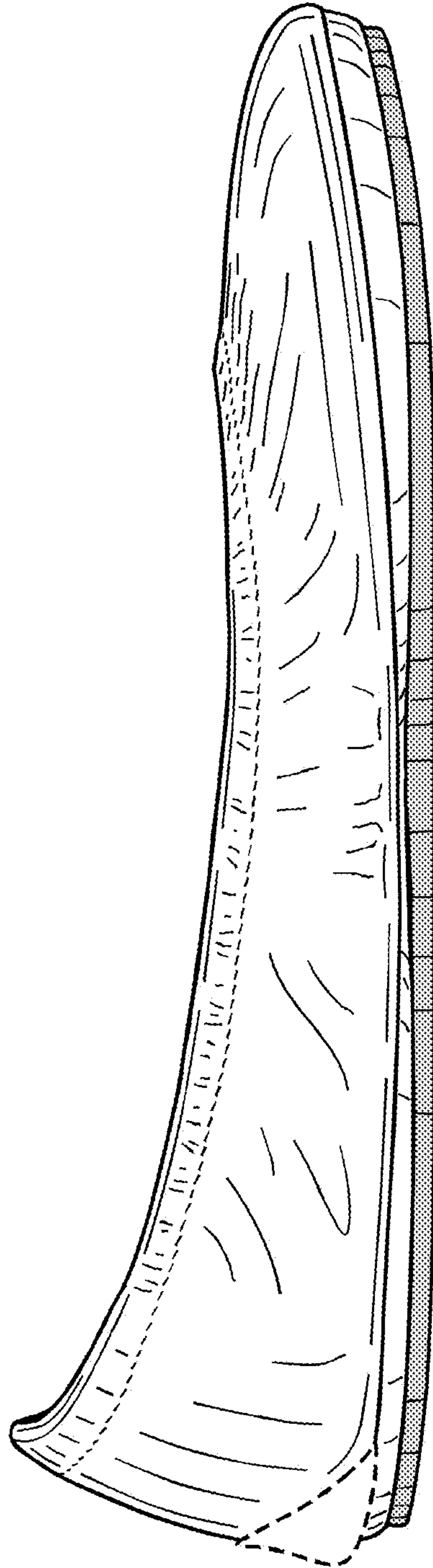


FIG. 37

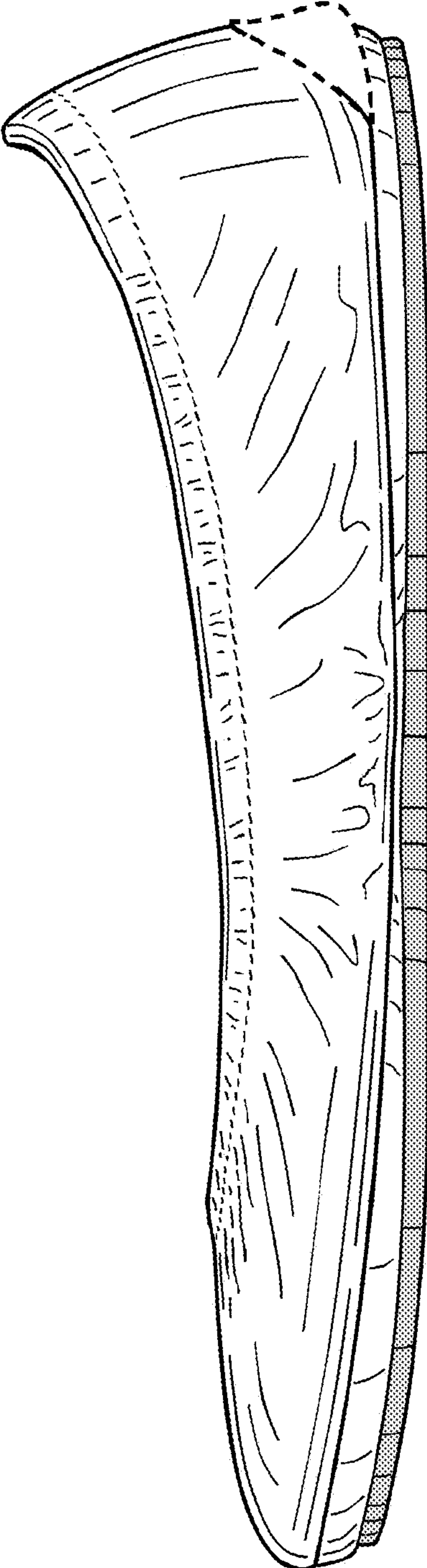


FIG. 38

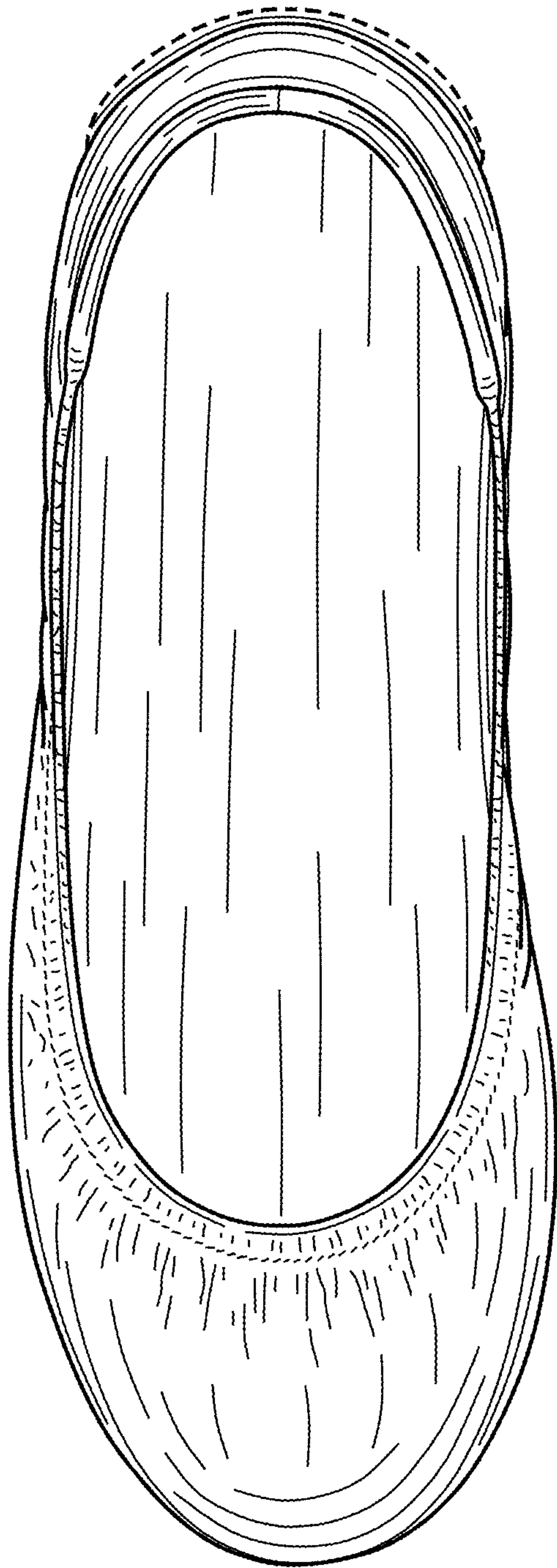


FIG. 39

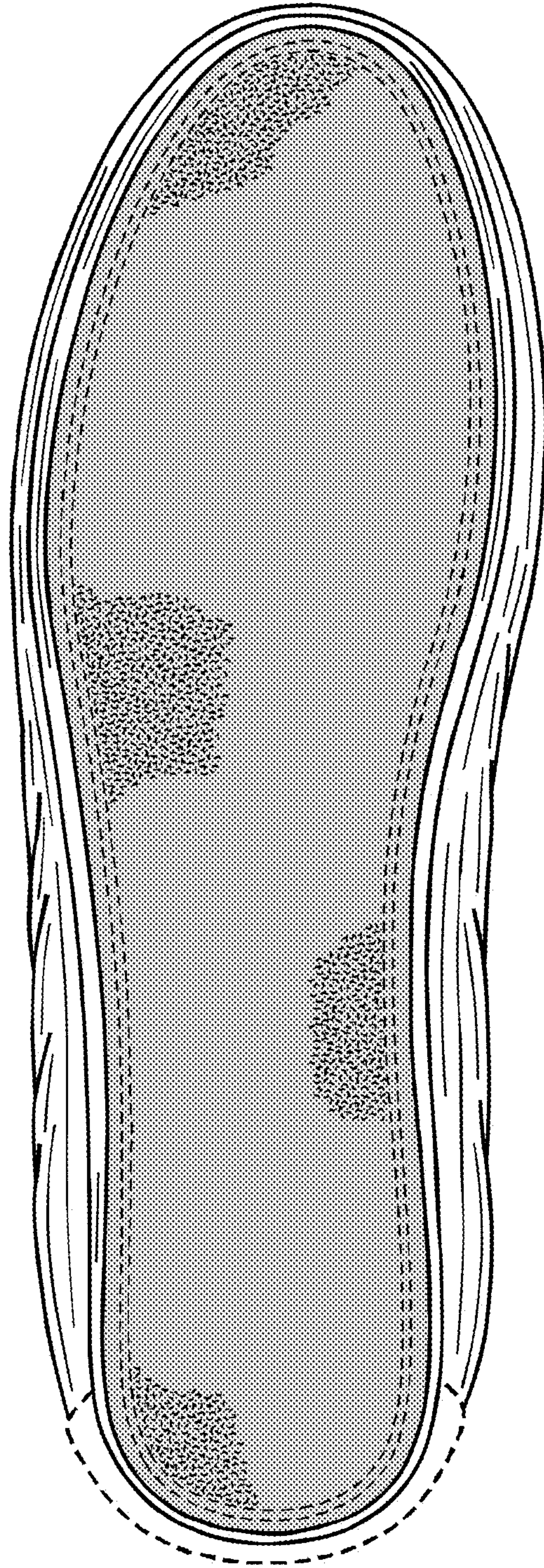


FIG. 40

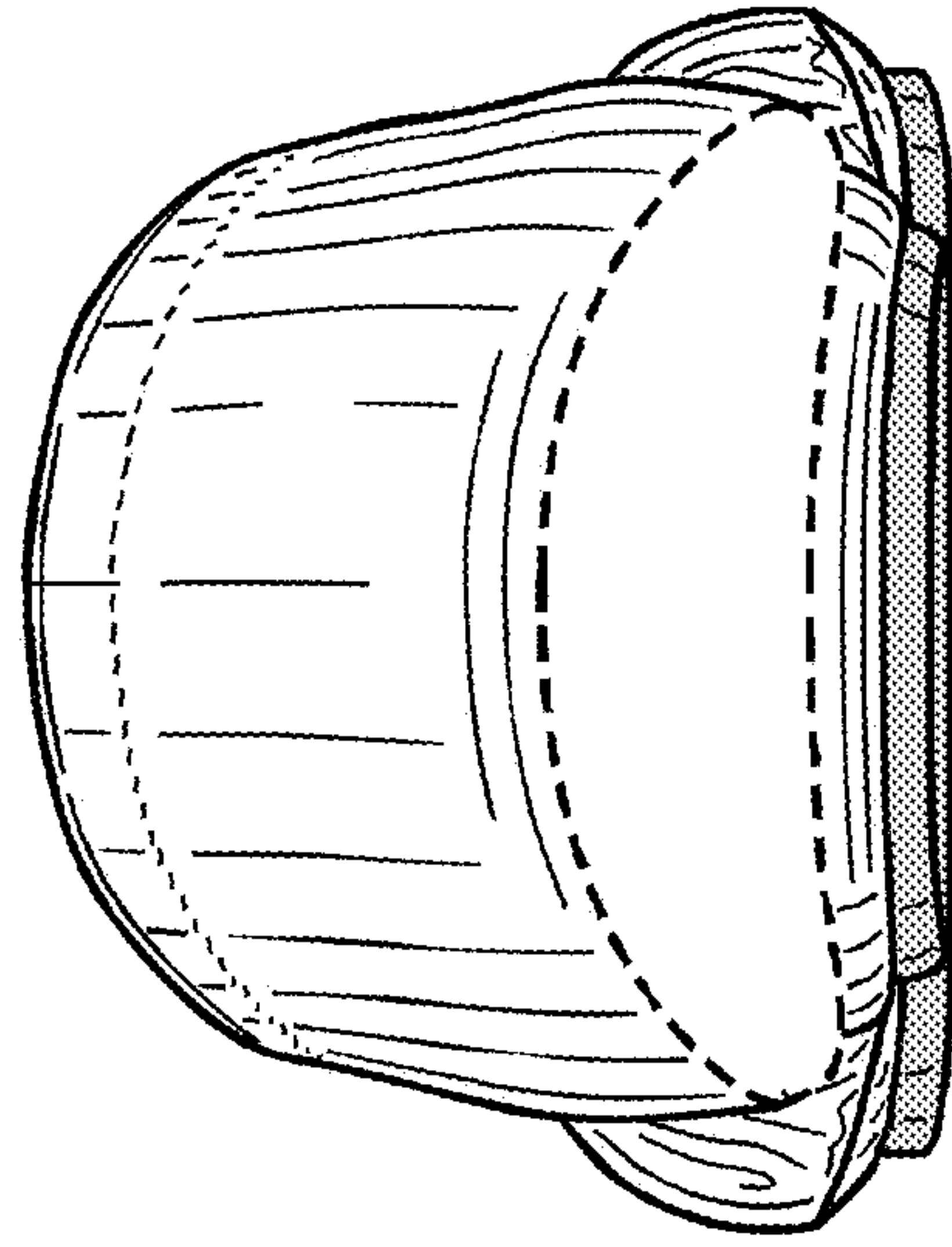


FIG. 42

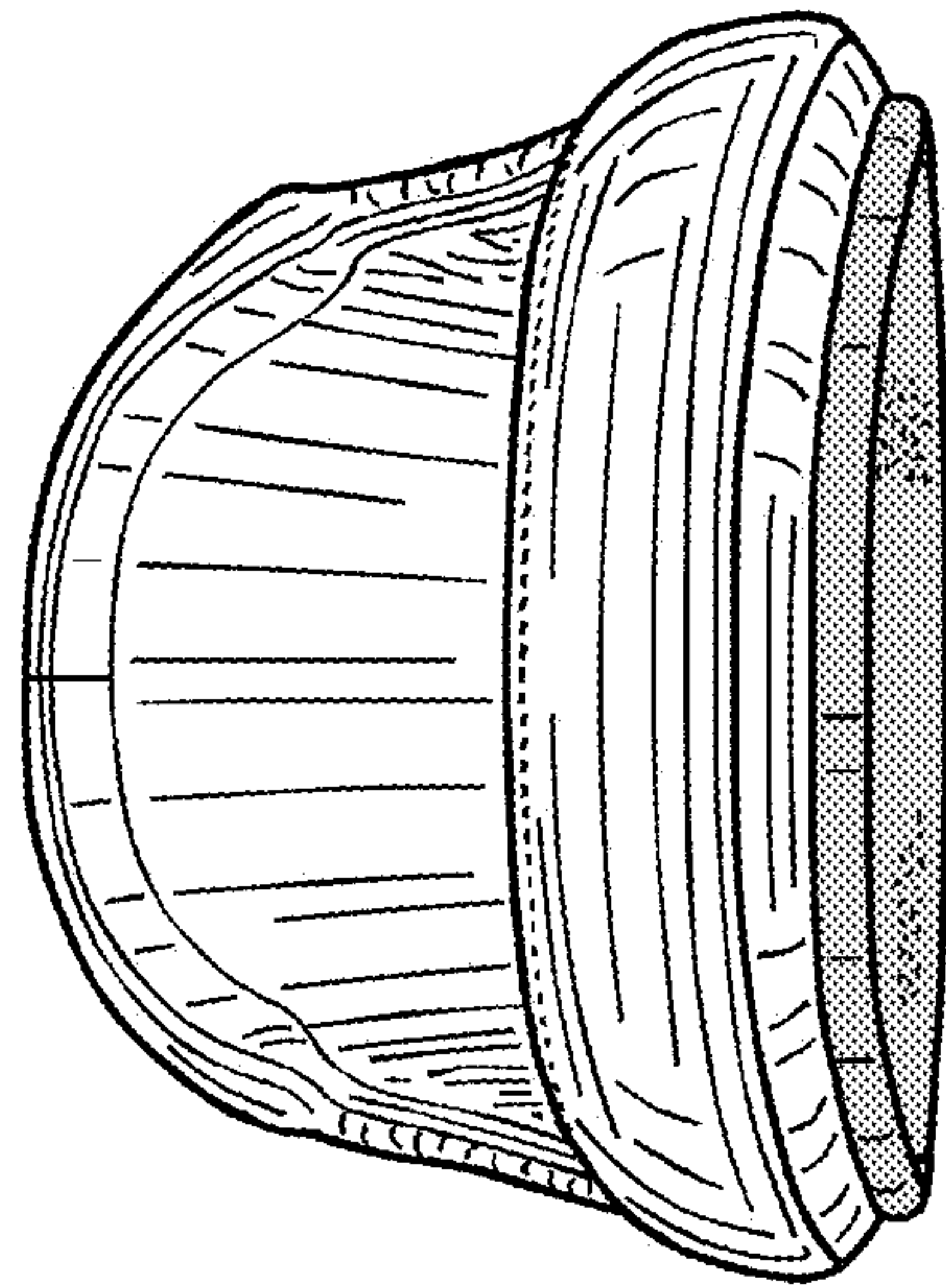


FIG. 41