



US00D901843S

(12) **United States Design Patent**  
**Ching**

(10) **Patent No.:** **US D901,843 S**

(45) **Date of Patent:** **\*\* Nov. 17, 2020**

(54) **SEAMLESS CAP WITH A PONYTAIL HOLE**

(71) Applicant: **TOP SPEED MFG. CO., LTD.**,  
Jiangsu (CN)

(72) Inventor: **Siu Sing Ching**, Shanghai (CN)

(\*\*) Term: **15 Years**

(21) Appl. No.: **29/664,500**

(22) Filed: **Sep. 26, 2018**

(51) **LOC (12) Cl.** ..... **02-03**

(52) **U.S. Cl.**  
USPC ..... **D2/882**

(58) **Field of Classification Search**  
USPC ..... D2/865, 866, 869, 870, 871, 872, 873,  
D2/876, 879, 882, 884, 886, 891, 893  
CPC ..... A42B 1/00; A42B 1/002; A42B 1/004;  
A42B 1/006; A42B 1/06; A42B 1/02;  
A42B 1/062; A42B 1/201  
See application file for complete search history.

(56) **References Cited**

**U.S. PATENT DOCUMENTS**

D112,591 S *	12/1938	Stricker	.....	D2/888
5,715,540 A *	2/1998	Cho	.....	A42B 1/22
				2/183
D417,770 S *	12/1999	Greenwood	.....	D2/882
D441,518 S *	5/2001	Bean	.....	D2/866
D491,714 S *	6/2004	Upcott	.....	D2/875
D543,014 S *	5/2007	Sharpe	.....	D2/884

9,179,720 B1 *	11/2015	Bonadio, Jr.	.....	A42B 1/062
D793,675 S *	8/2017	Gates	.....	D2/882
D833,718 S *	11/2018	Battle, Jr.	.....	D2/882
D844,941 S *	4/2019	Creque	.....	D2/891
D848,121 S *	5/2019	Wang	.....	D2/882
D855,945 S *	8/2019	Dann	.....	D2/882
2003/0233696 A1 *	12/2003	Lee	.....	A42B 1/22
				2/195.2

\* cited by examiner

*Primary Examiner* — Jasmine Mlinarcik

(74) *Attorney, Agent, or Firm* — Prakash Nama; Global IP Services, PLLC

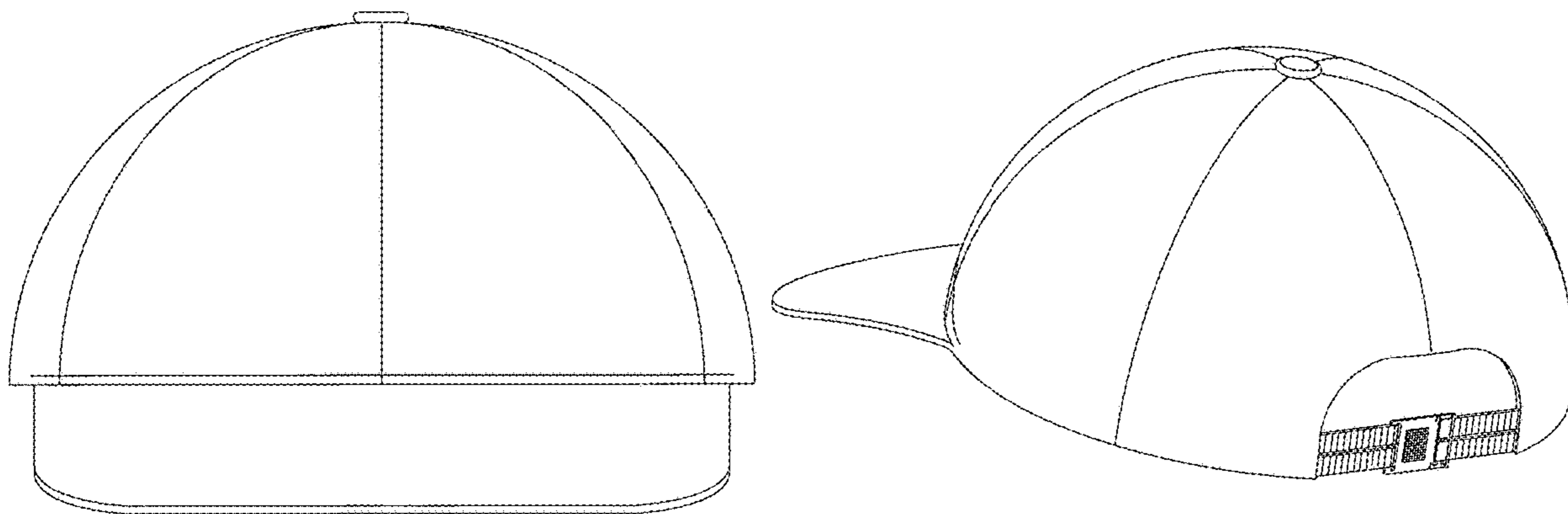
(57) **CLAIM**

The ornamental design for a seamless cap with a ponytail hole, as shown and described.

**DESCRIPTION**

FIG. 1 is a front elevational view of a seamless cap with a ponytail hole showing my new design;  
FIG. 2 is a rear elevational view thereof;  
FIG. 3 is a right side view thereof;  
FIG. 4 is a left side view thereof;  
FIG. 5 is a top plan view thereof;  
FIG. 6 is a bottom plan view thereof; and,  
FIG. 7 is a perspective view thereof.  
The broken lines depict portions of the seamless cap with a ponytail hole form no part of the claimed design.

**1 Claim, 7 Drawing Sheets**



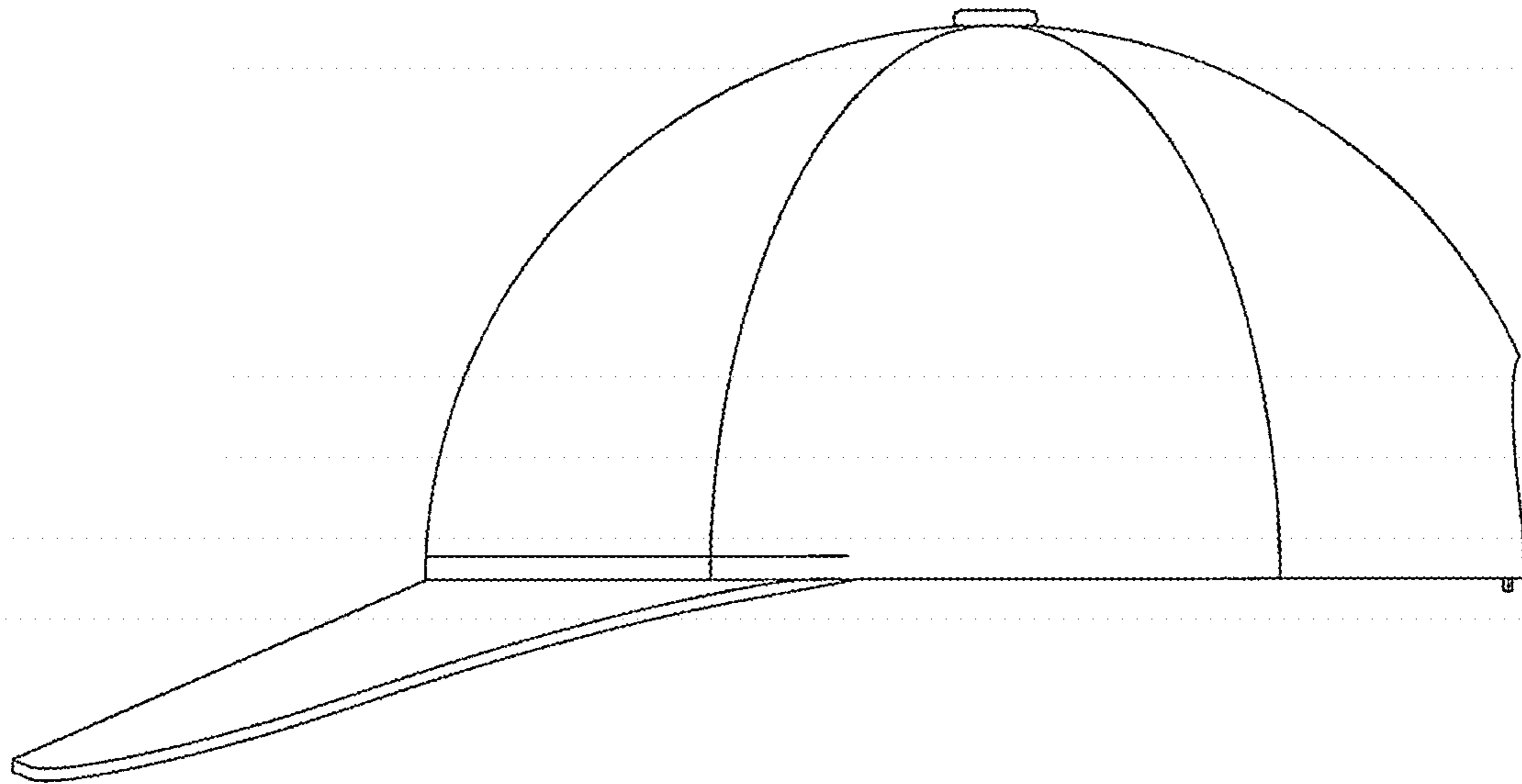


FIG. 1

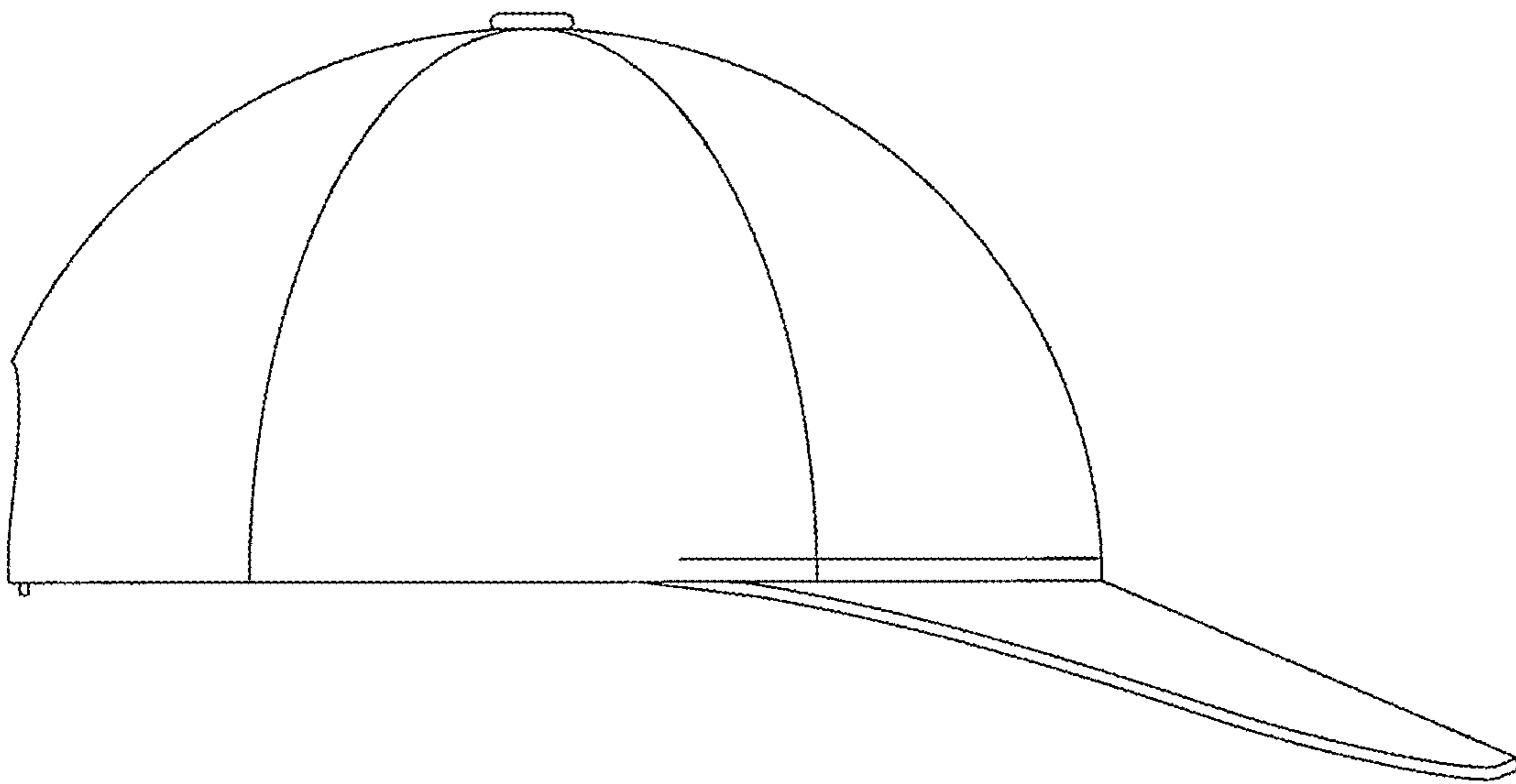


FIG. 2

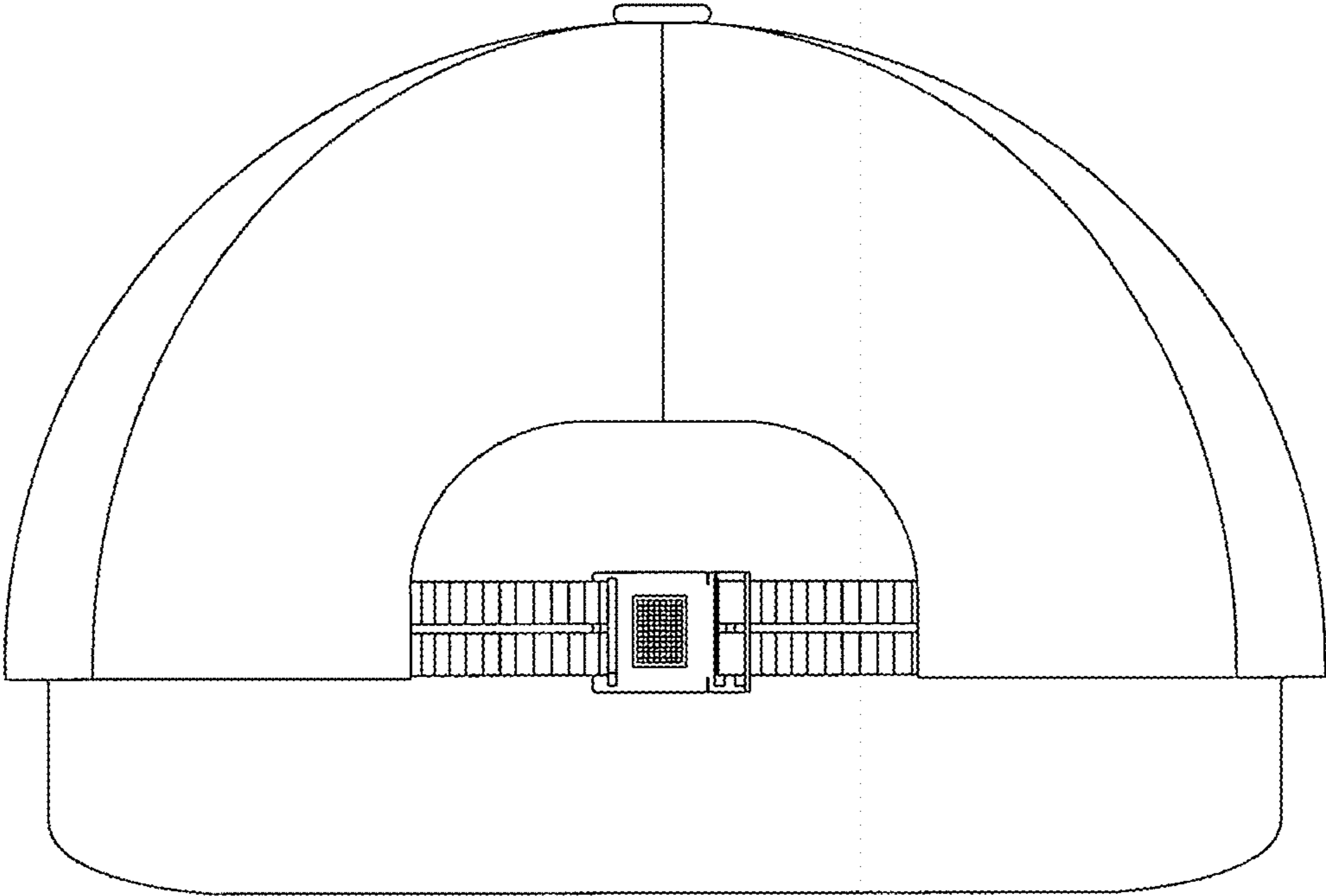


FIG. 3

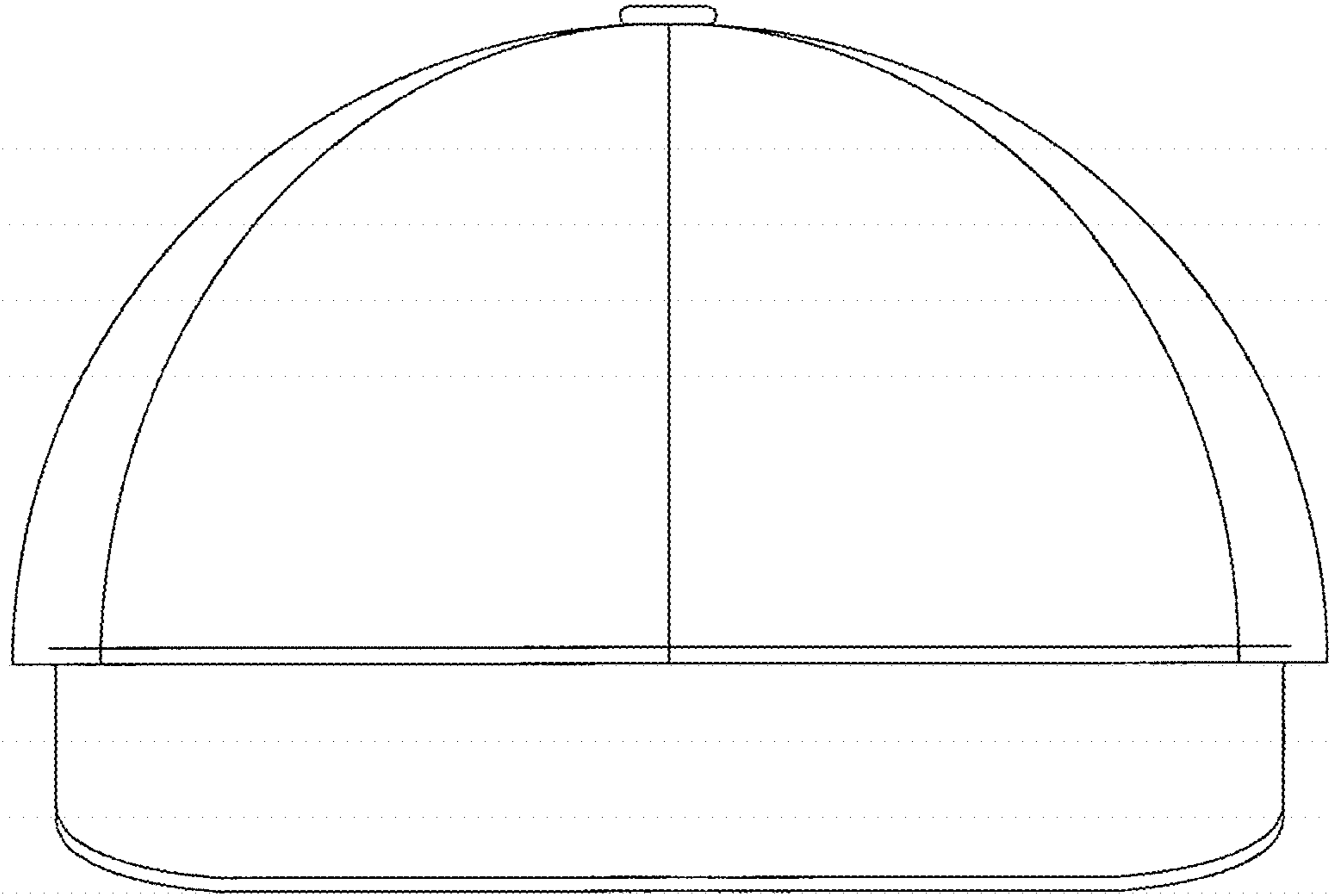


FIG. 4

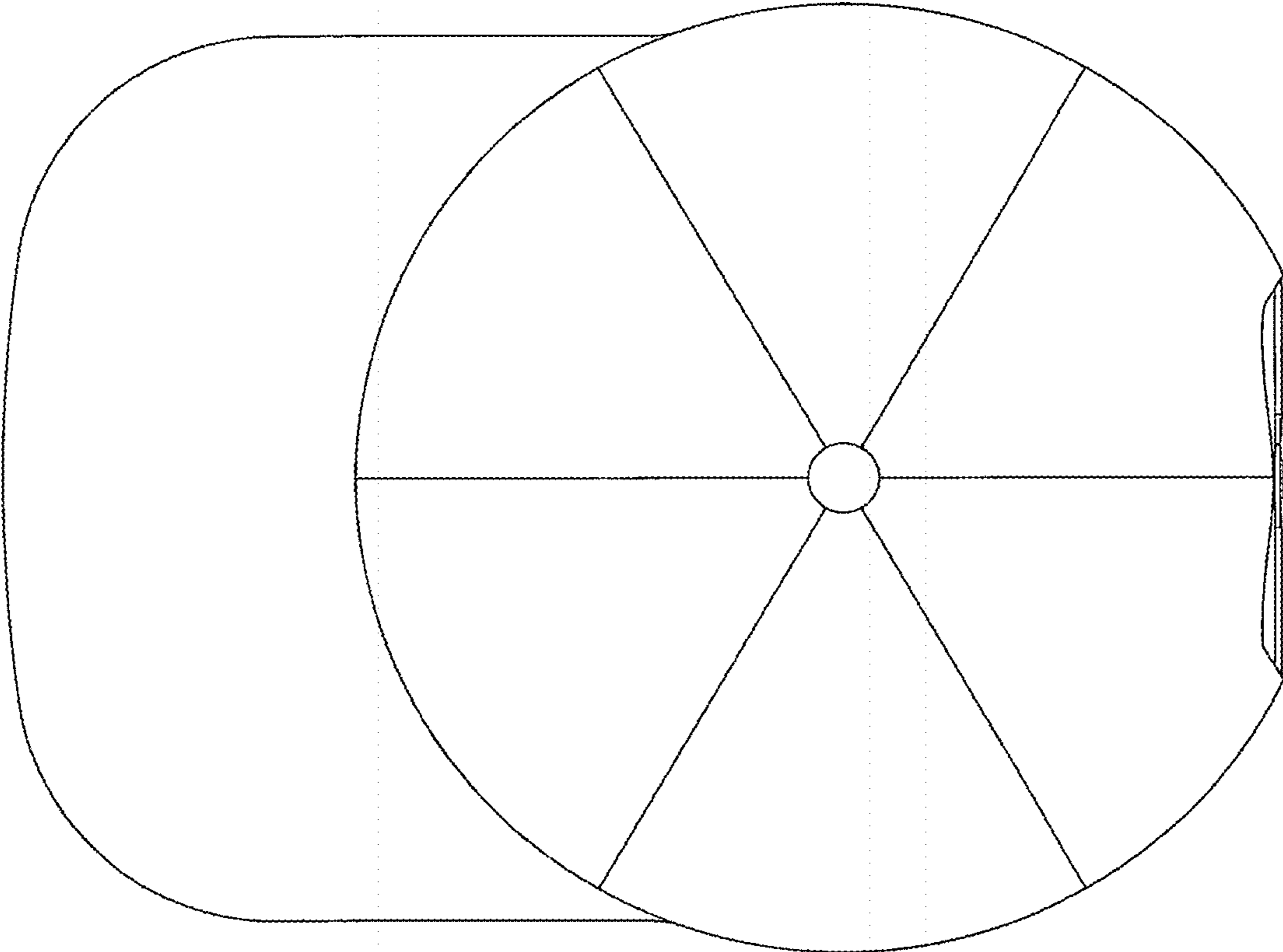


FIG. 5

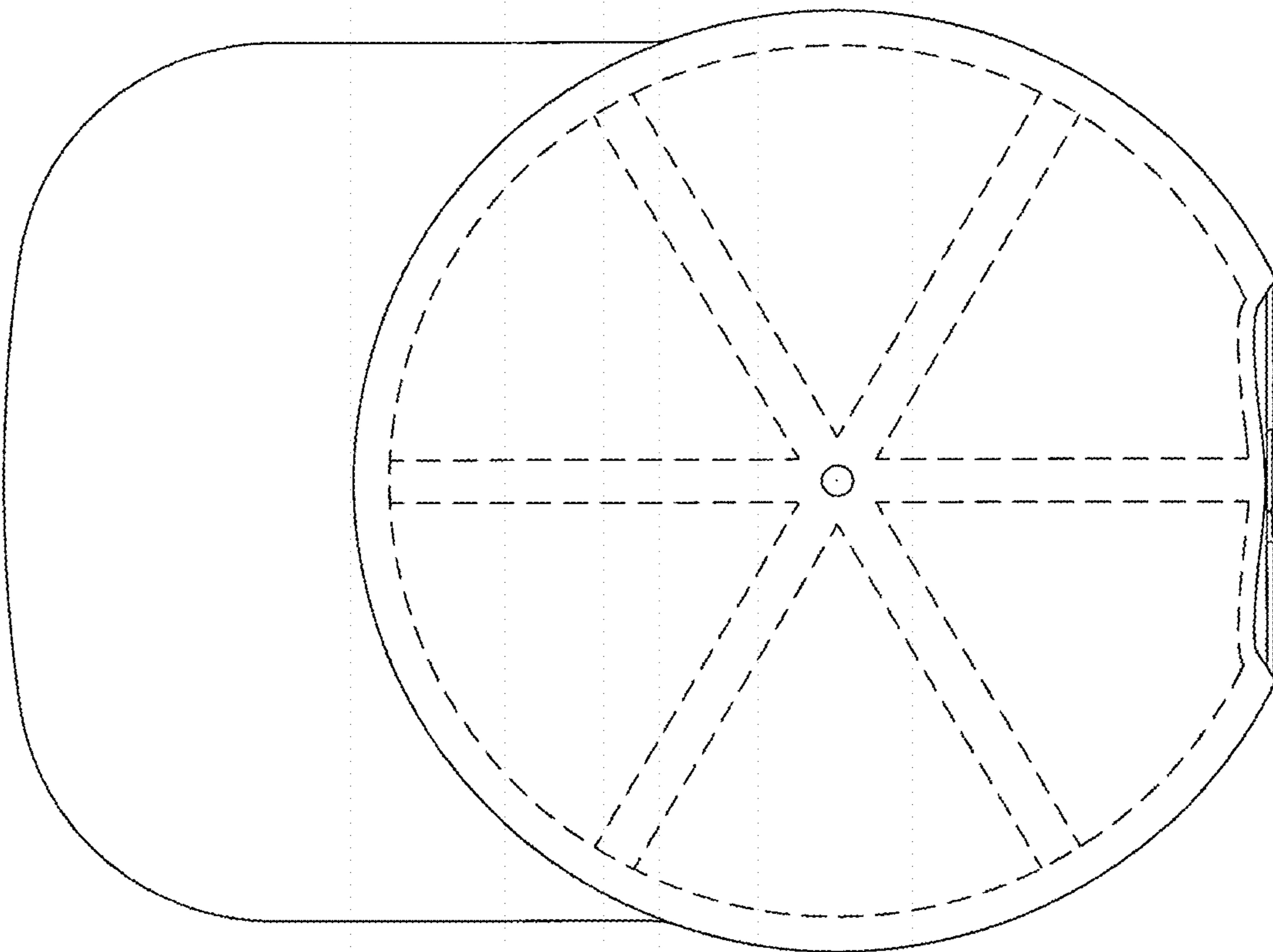


FIG. 6

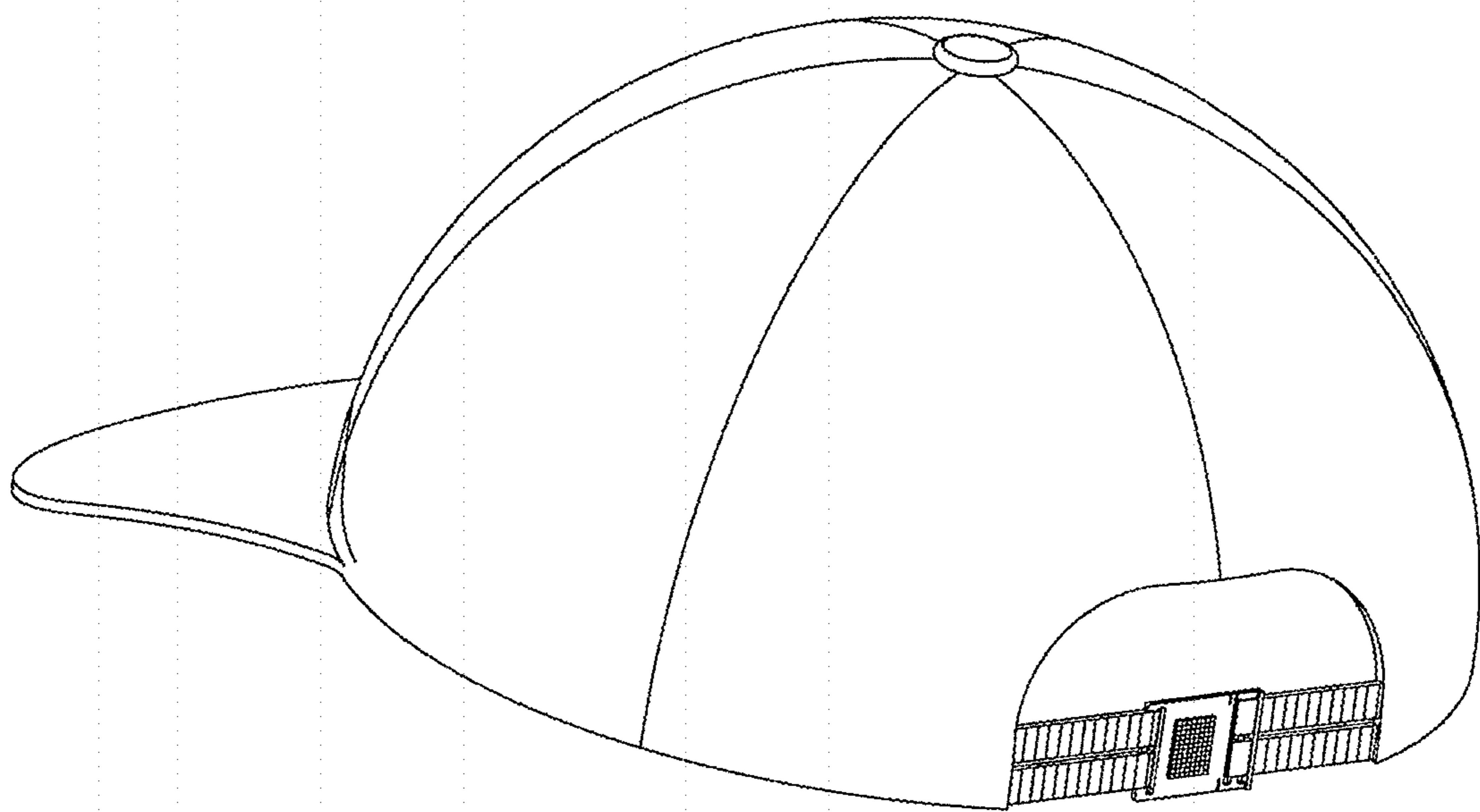


FIG. 7