



US00D901835S

(12) **United States Design Patent** (10) **Patent No.:** **US D901,835 S**  
**Bykov** (45) **Date of Patent:** **\*\* Nov. 17, 2020**

- (54) **BUTTERFLY SWADDLE**
- (71) Applicant: **Baby Nurse, Inc.**, Thousand Oaks, CA (US)
- (72) Inventor: **Monica Bykov**, Thousand Oaks, CA (US)
- (73) Assignee: **Baby Nurse, Inc.**, Thousand Oaks, CA (US)
- (\*\*) Term: **15 Years**
- (21) Appl. No.: **29/692,440**
- (22) Filed: **May 24, 2019**
- (51) **LOC (12) Cl.** ..... **02-01**
- (52) **U.S. Cl.**  
USPC ..... **D2/719**
- (58) **Field of Classification Search**  
USPC ..... D2/719, 718, 728, 745, 746, 823, 824, D2/847; D6/603, 608  
CPC ..... A41B 13/06; A41B 13/065  
See application file for complete search history.

(56) **References Cited**

U.S. PATENT DOCUMENTS

5,129,406	A *	7/1992	Magnusen	.....	A41B 13/06	128/845
D513,357	S *	1/2006	Allard	.....	D2/718	
D644,413	S *	9/2011	Keall	.....	D2/719	
D690,904	S *	10/2013	Coates	.....	D2/719	
D715,027	S *	10/2014	Daugherty	.....	D2/719	
D715,518	S *	10/2014	Daugherty	.....	D2/719	
D734,592	S *	7/2015	Castillo	.....	D2/719	
D741,568	S *	10/2015	Daugherty	.....	D2/719	
D751,270	S *	3/2016	White	.....	D2/719	
D772,532	S *	11/2016	Karp	.....	D2/719	
D776,900	S *	1/2017	Bopanna	.....	D2/719	
D790,803	S *	7/2017	Paperno	.....	D2/719	
D822,947	S *	7/2018	Kroening	.....	D2/719	

D833,110 S \* 11/2018 Hettich ..... D2/719  
 2007/0056098 A1\* 3/2007 Schmid ..... A41B 13/06  
 5/482  
 2012/0311762 A1\* 12/2012 Aiken ..... A41B 13/06  
 2/69.5

(Continued)

*Primary Examiner* — Michelle E. Wilson

*Assistant Examiner* — Clese Moore, Jr.

(74) *Attorney, Agent, or Firm* — Law Offices of M. Kala Sarvaiya; M. Kala Sarvaiya

(57) **CLAIM**

The ornamental design for a butterfly swaddle, as shown and described.

**DESCRIPTION**

A portion of the disclosure of this patent document contains material to which a claim for copyright is made. The copyright owner has no objection to the facsimile reproduction by anyone of the patent document or the patent disclosure, as it appears in the Patent and Trademark Office patent file or records, but reserves all other copyright rights whatsoever.

FIG. 1 is a front, top, right perspective view of a butterfly swaddle in an open position, comprising a swaddle and a blanket inserted into the swaddle.

FIG. 2 is a rear, top, right perspective view thereof.

FIG. 3 is a front elevation view thereof.

FIG. 4 is a rear elevation view thereof.

FIG. 5 is a right side elevation view of the swaddle.

FIG. 6 is a left side elevation view of the swaddle.

FIG. 7 is a top plan view of the butterfly swaddle.

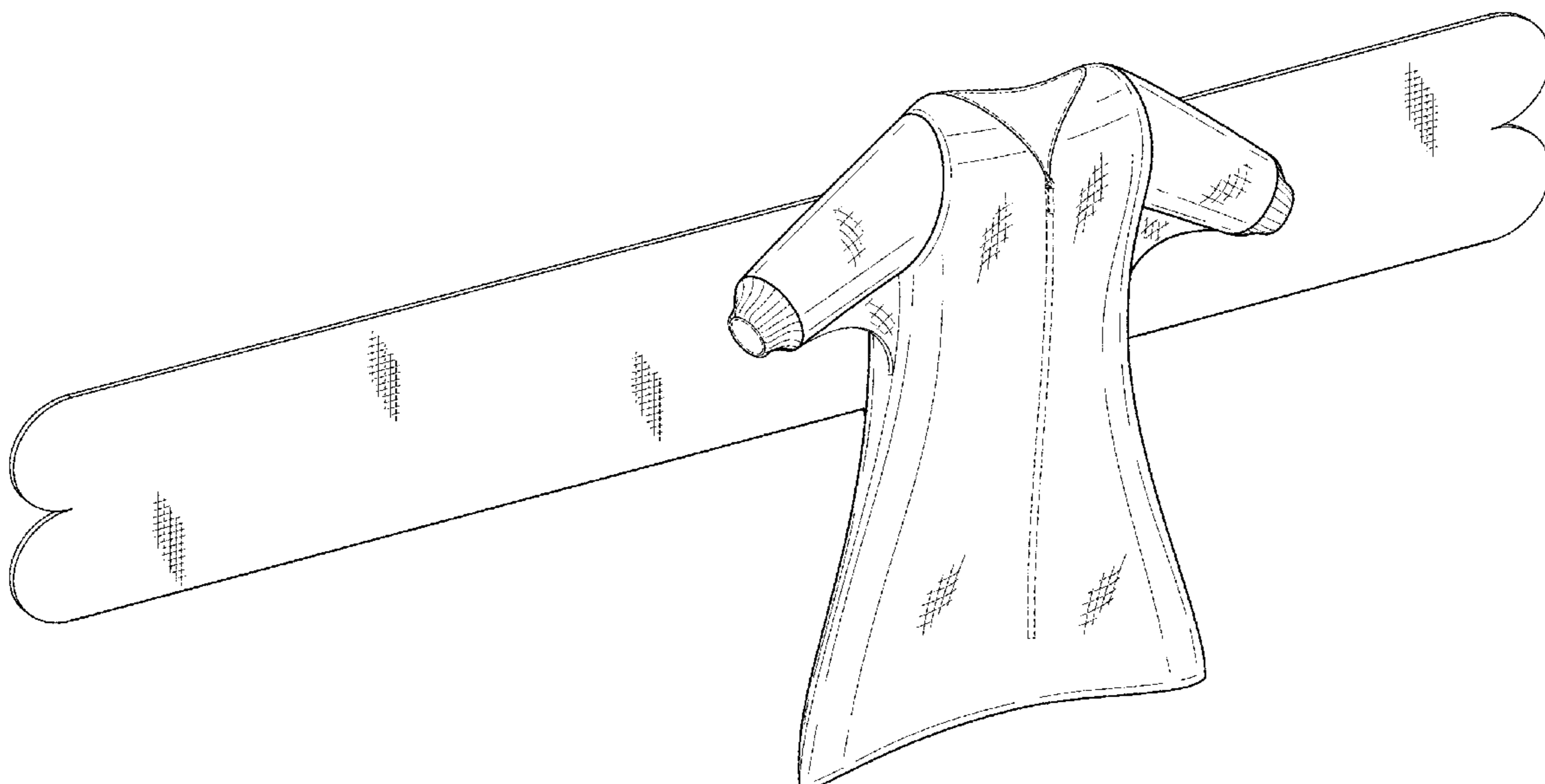
FIG. 8 is a bottom plan view thereof.

FIG. 9 is a front, top, right perspective view showing the butterfly swaddle in an open position on an infant; and,

FIG. 10 is a front, top, right perspective view showing the butterfly swaddle in a closed position on an infant.

The broken lines shown in the drawings define the bounds of the claimed design and form no part thereof.

**1 Claim, 9 Drawing Sheets**



(56)

**References Cited**

U.S. PATENT DOCUMENTS

2014/0033430 A1\* 2/2014 Daugherty ..... A41B 13/06  
5/494  
2019/0125005 A1\* 5/2019 Giveans ..... A41B 13/06  
2019/0191785 A1\* 6/2019 Vincent ..... A41B 13/06  
2019/0208831 A1\* 7/2019 Joshi ..... A41D 15/002

\* cited by examiner

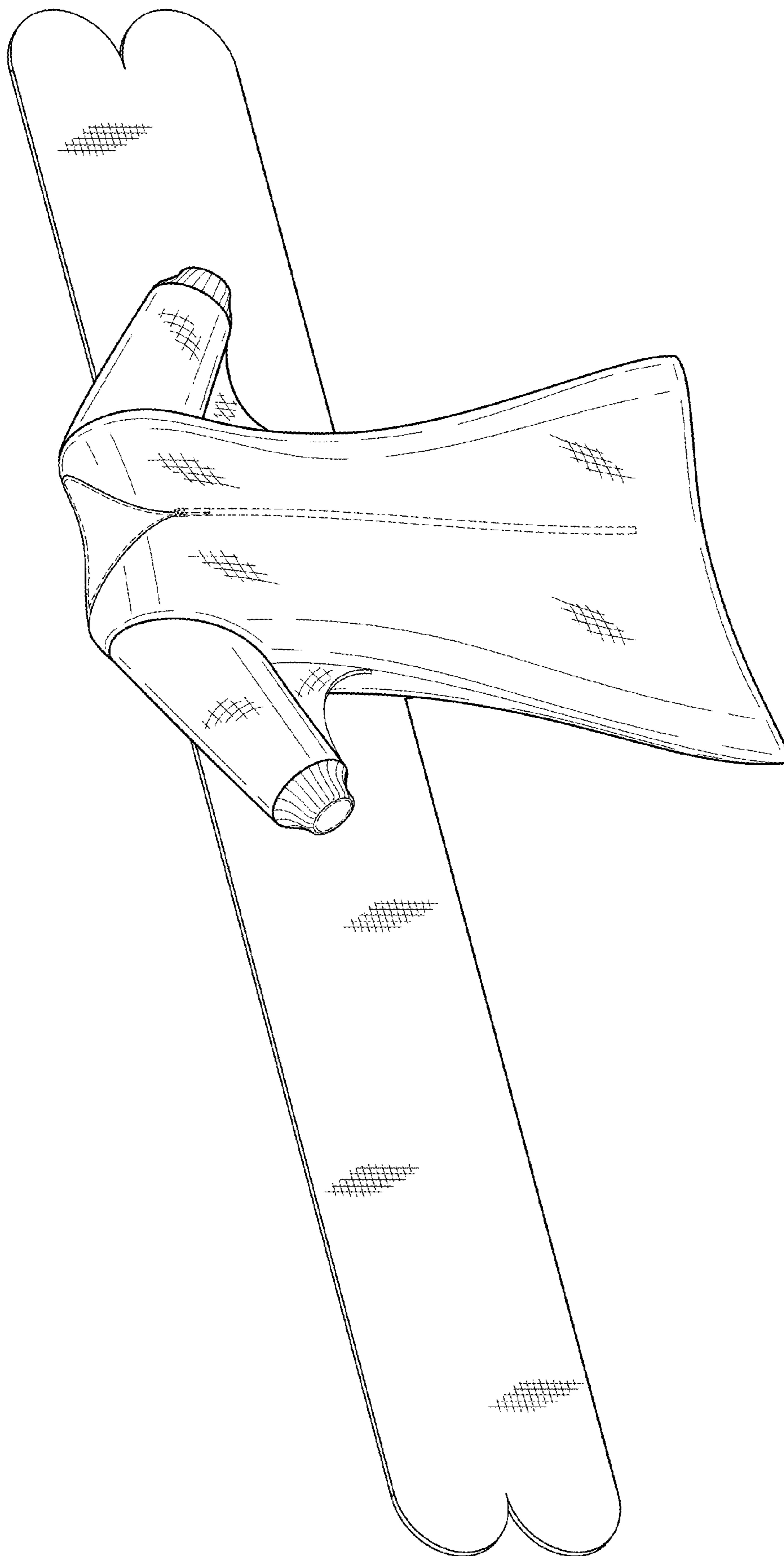


FIG. 1

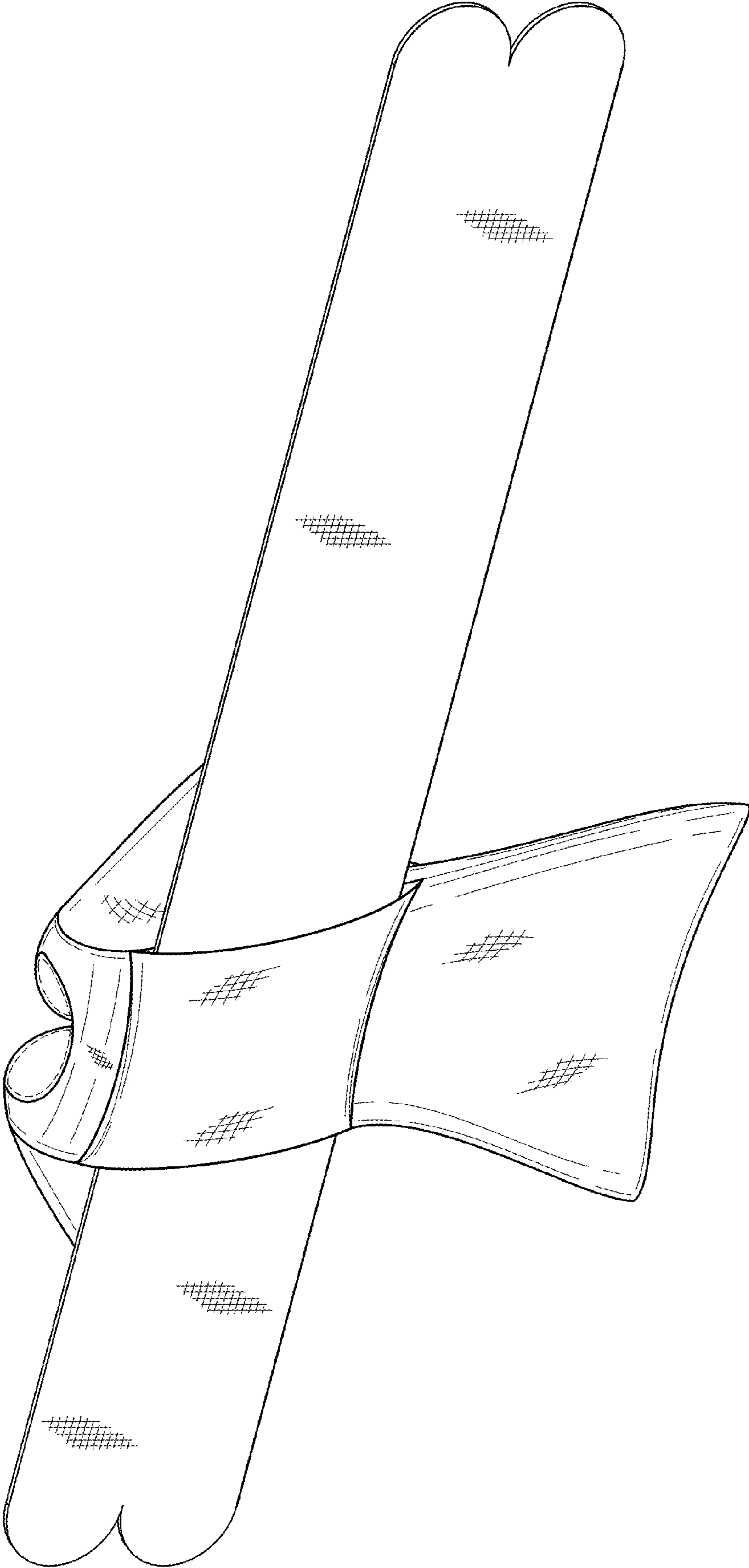


FIG. 2

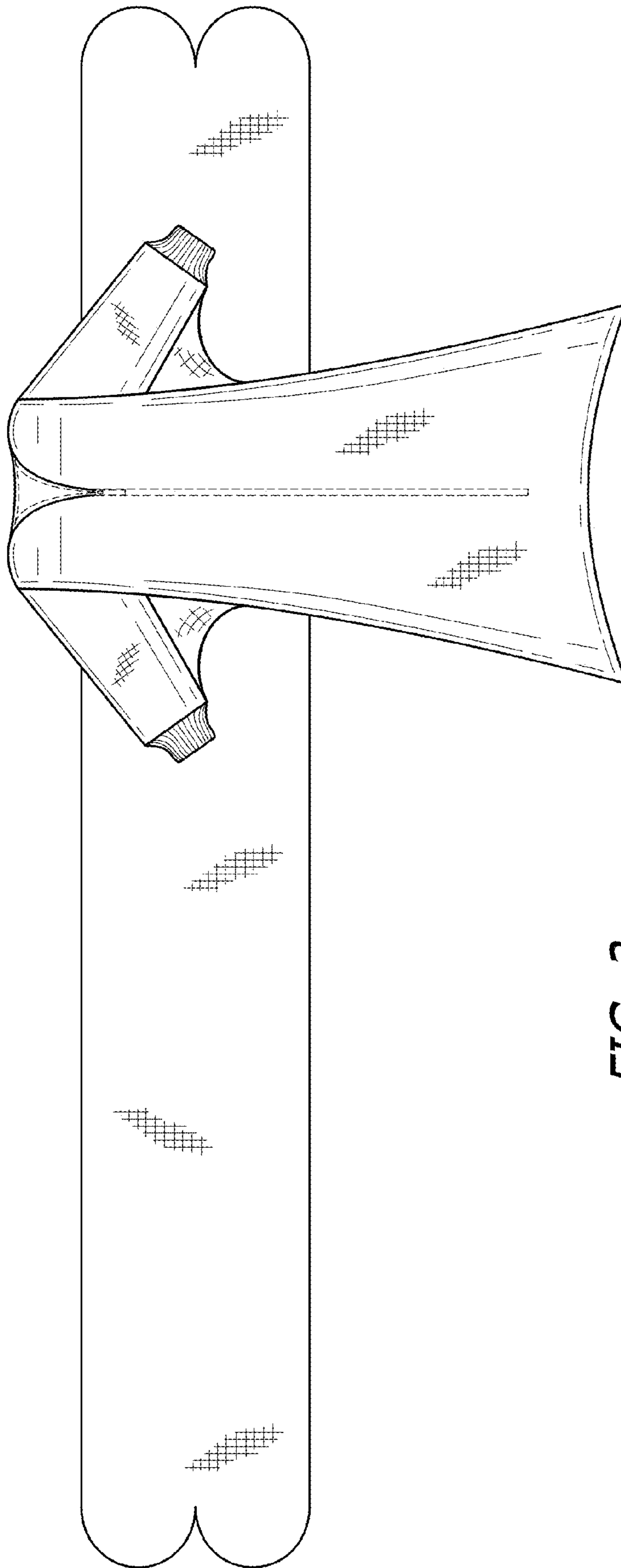


FIG. 3

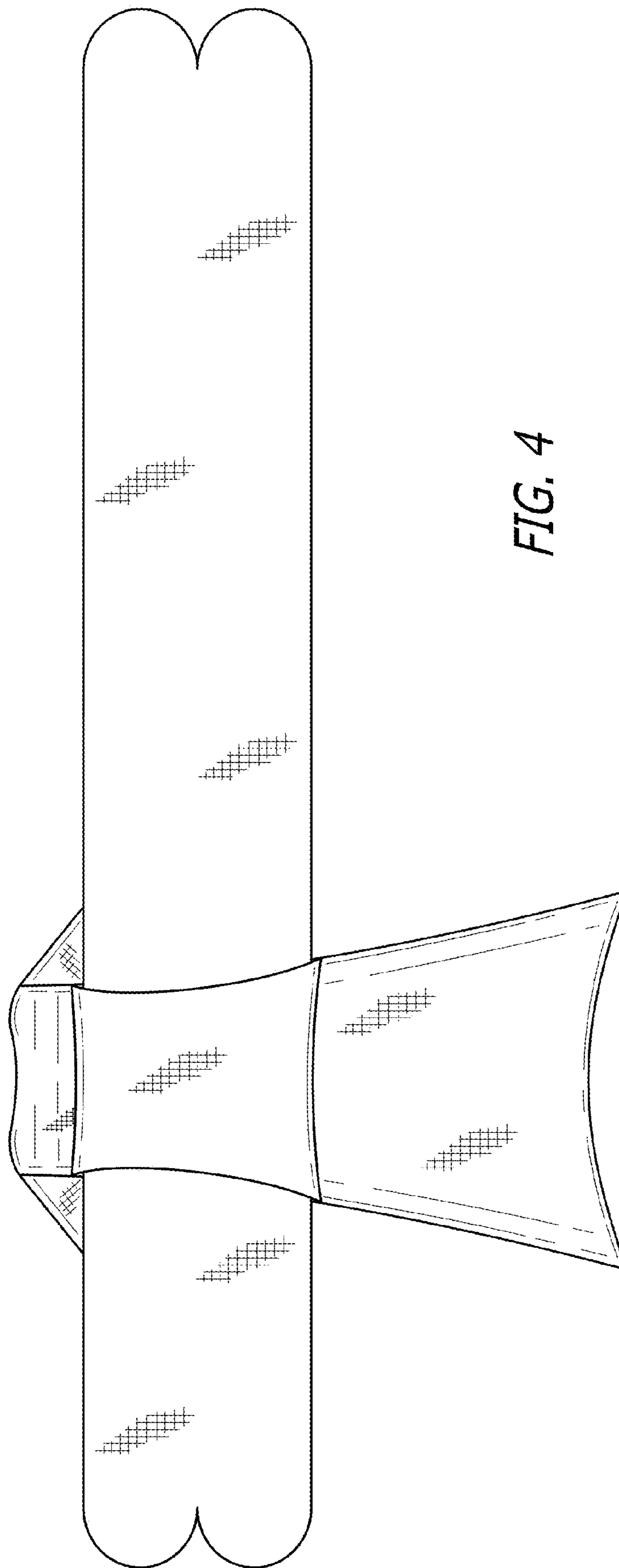


FIG. 4

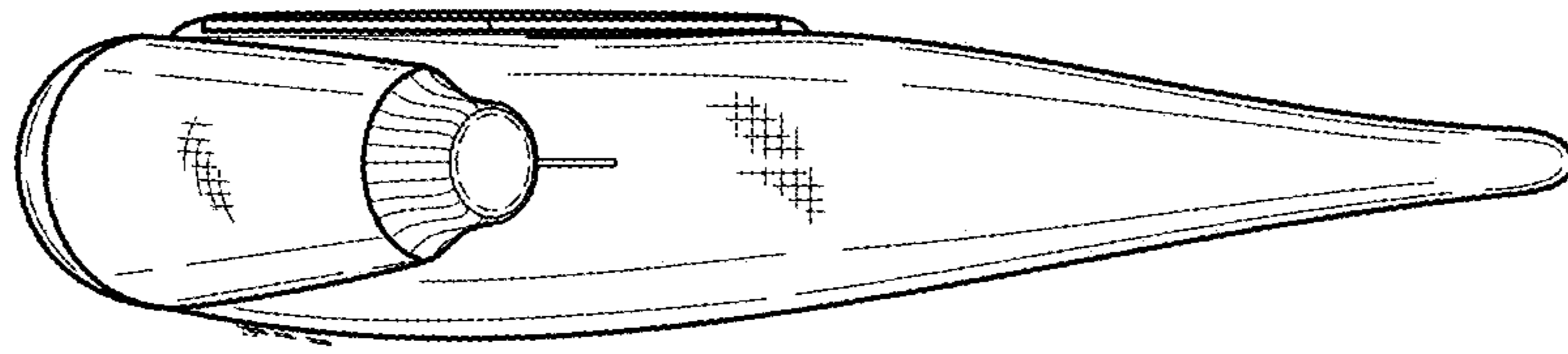


FIG. 6

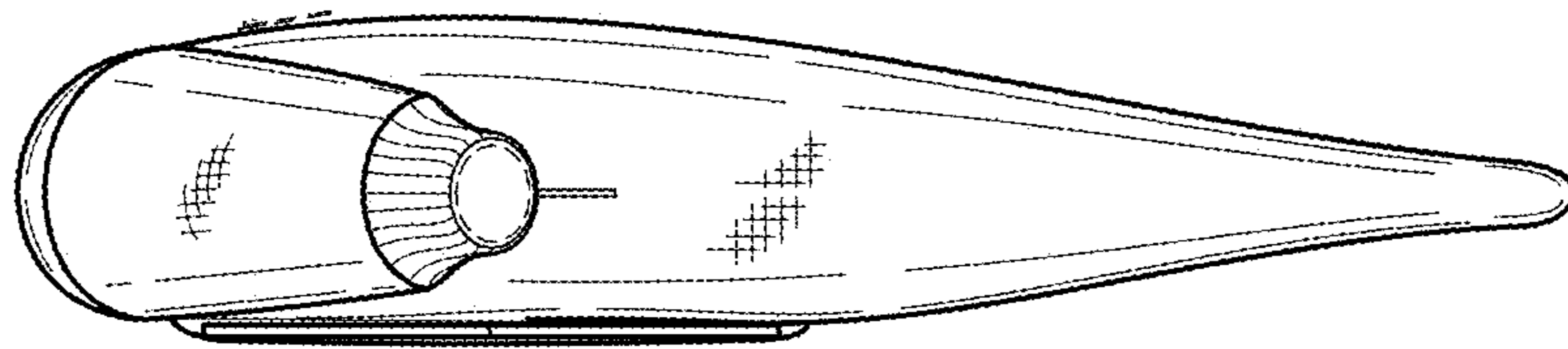


FIG. 5

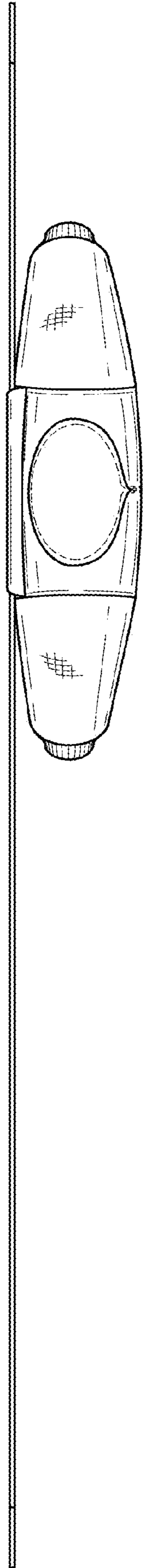


FIG. 7



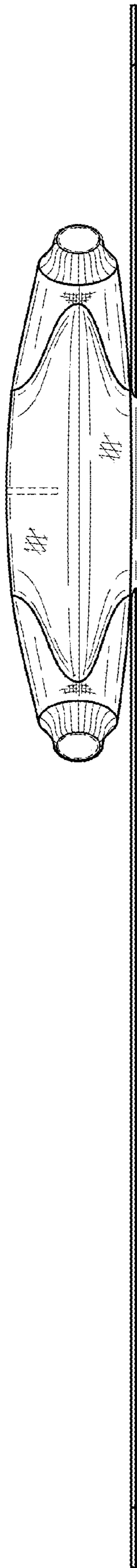


FIG. 8

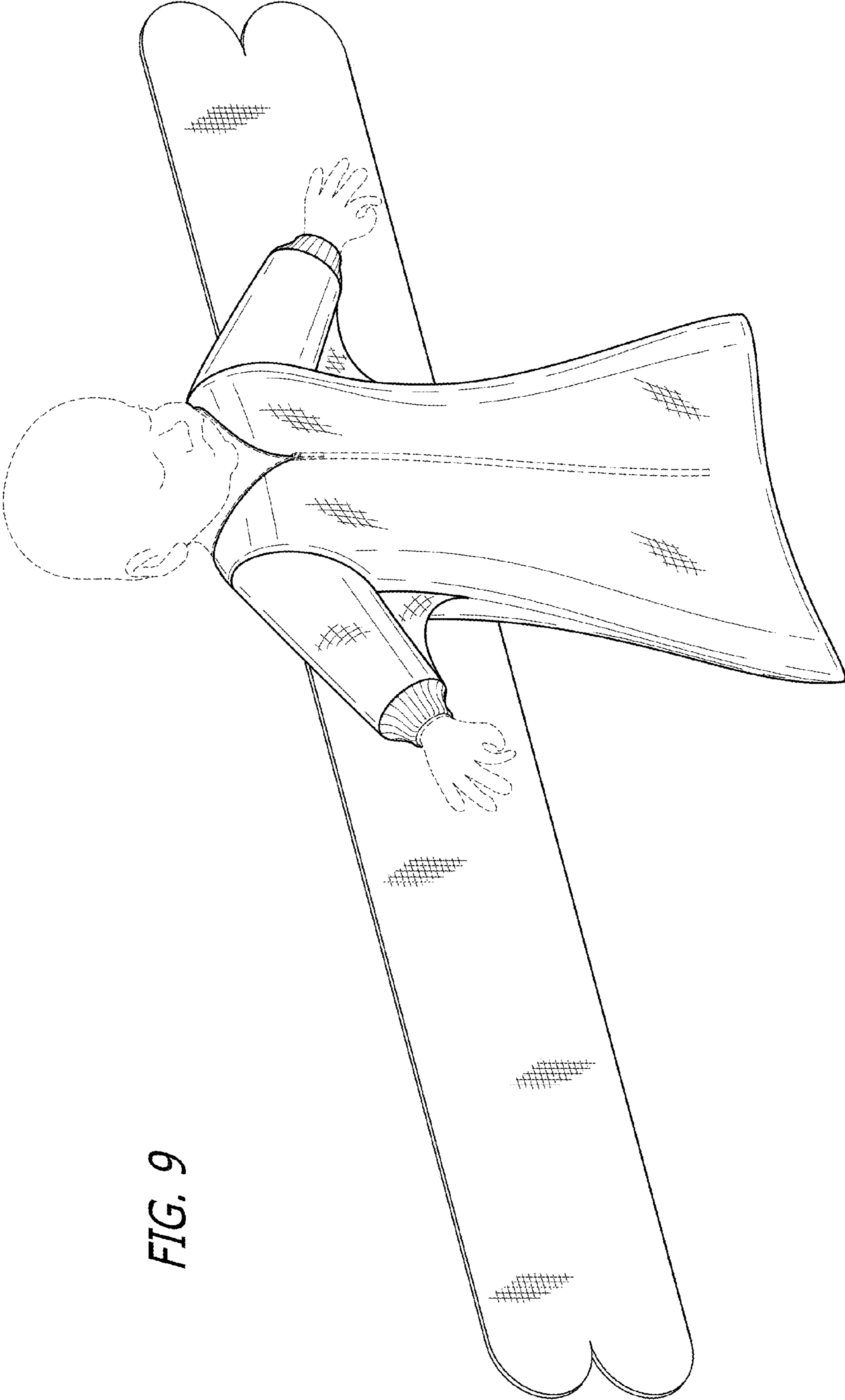


FIG. 9

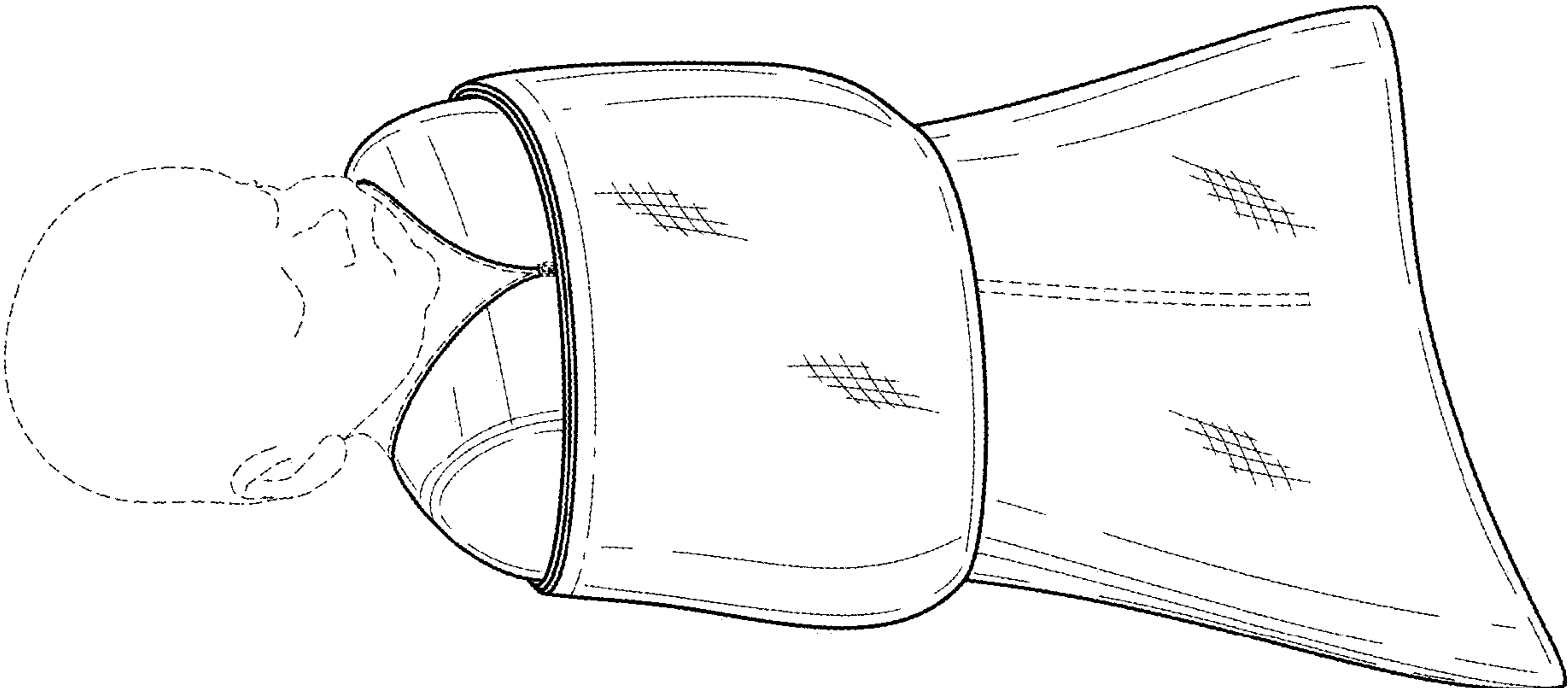


FIG. 10