



US00D901825S

(12) **United States Design Patent** (10) **Patent No.:** **US D901,825 S**  
**Nelson et al.** (45) **Date of Patent:** **\*\* Nov. 10, 2020**

(54) **SELF-SERVICE TERMINAL**

(56) **References Cited**

(71) Applicant: **Wincor Nixdorf International GmbH**,  
Paderborn (DE)

U.S. PATENT DOCUMENTS

(72) Inventors: **Donald Nelson**, Akron, OH (US);  
**Sergio de Oliveira**, Massillon, OH  
(US); **Frank Bleck**, Paderborn (DE);  
**Gregor Pollmann**, Paderborn (DE)

D238,429 S *	1/1976	Hermann .....	D99/28
D264,764 S *	6/1982	Freijd .....	D99/28
D282,114 S *	1/1986	Nishida .....	D99/28
D283,746 S *	5/1986	Kobayashi .....	D99/28
D319,135 S *	8/1991	'Feger .....	D99/28
D335,746 S *	5/1993	North .....	D99/28
D360,735 S *	7/1995	Hall .....	D99/28
D360,739 S *	7/1995	Hall .....	D99/28

(73) Assignee: **Wincor Nixdorf International GmbH**,  
Paderborn (DE)

(Continued)

(\*\*) Term: **15 Years**

*Primary Examiner* — Elizabeth J Oswecki

(21) Appl. No.: **29/695,302**

(74) *Attorney, Agent, or Firm* — Black, McCuskey,  
Souers & Arbaugh LPA

(22) Filed: **Jun. 18, 2019**

(57) **CLAIM**

(51) **LOC (12) Cl.** ..... **99-00**

The ornamental design for a self-service terminal, as shown  
and described.

(52) **U.S. Cl.**

USPC ..... **D99/28**

(58) **Field of Classification Search**

**DESCRIPTION**

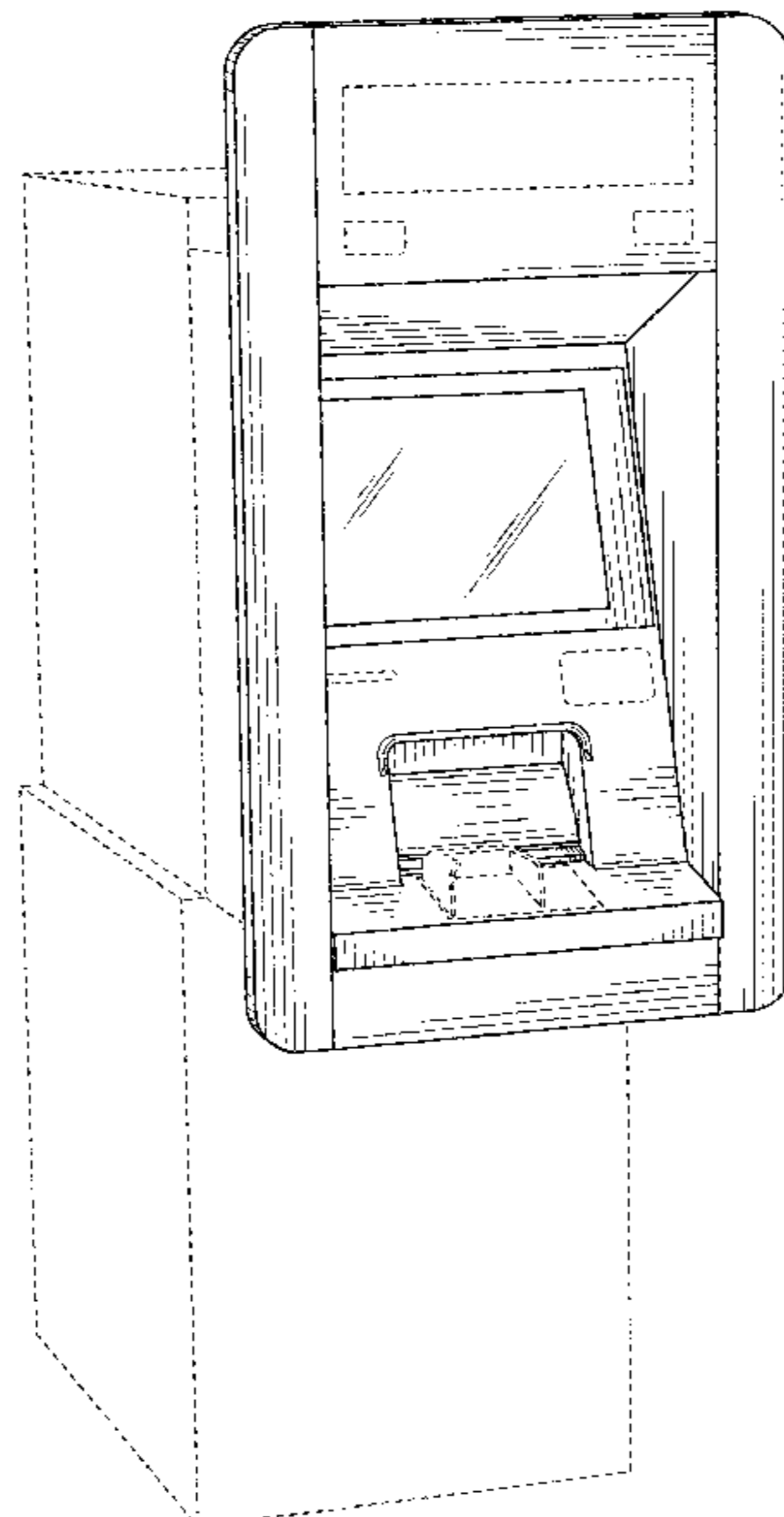
USPC ..... D99/28, 34, 35, 36, 43, 99;  
D14/300–302, 305, 307, 900–902;  
D18/3.1–3.3, 4.1–4.6, 12.1–12.3;  
D21/324, 325, 329, 369, 370; 101/66;  
109/1 R, 1 V, 2, 23, 24.1, 25, 58, 58.5,  
109/66; 446/8–13; 705/16, 17, 18, 42,  
705/43, 44, 45; 235/51, 379, 380, 381,  
235/382, 382.5, 386; 206/0.8, 0.81,  
206/0.815, 0.82, 0.84

FIG. 1 is a left-front perspective view of a self-service terminal showing our new design;  
FIG. 2 is a right-front perspective view of the self-service terminal design of FIG. 1;  
FIG. 3 is a front view of the self-service terminal of FIG. 1;  
FIG. 4 is a rear view of the self-service terminal of FIG. 1;  
FIG. 5 is a left-side view of the self-service terminal of FIG. 1;  
FIG. 6 is a right-side view of the self-service terminal of FIG. 1; and,  
FIG. 7 is a top view of the self-service terminal of FIG. 1.  
The bottom of the automated transaction machine is flat and devoid of ornamentation.  
The broken lines shown in the drawings represent portions of the Automated Transaction Machine that form no part of the claimed design.

CPC .. G06Q 20/10; G06Q 20/108; G06Q 20/1085;  
G06Q 20/18; G07D 1/00; G07D 1/02;  
G07D 1/04; G07D 1/06; G07D 11/00;  
G07D 9/002; G07D 9/04; G07F 19/20;  
G07F 19/201; G07F 19/202; G07F  
19/203; G07F 19/204; G07F 19/105;  
G07F 19/21; G07F 19/00; G07F 7/04;  
G07F 5/00; G07F 1/00; E05G 7/001;  
E05G 1/006; A63H 33/00; A63H 33/005

See application file for complete search history.

**1 Claim, 7 Drawing Sheets**



(56)

References Cited

U.S. PATENT DOCUMENTS

D411,905 S \* 7/1999 Molander ..... D20/2  
 D444,608 S \* 7/2001 Kit ..... D99/28  
 D456,587 S \* 4/2002 Kit ..... D99/28  
 6,527,172 B1 \* 3/2003 Lewis ..... G07F 19/20  
 235/375  
 D481,516 S \* 10/2003 Magee ..... D99/28  
 D492,080 S \* 6/2004 Magee ..... D99/28  
 D492,081 S \* 6/2004 Magee ..... D99/28  
 D492,082 S \* 6/2004 Magee ..... D99/28  
 D500,905 S \* 1/2005 Magee ..... D99/28  
 6,966,485 B2 \* 11/2005 Lute, Jr. .... G06Q 20/1085  
 235/379  
 7,004,385 B1 \* 2/2006 Douglass ..... G06Q 20/1085  
 235/375  
 7,040,534 B2 \* 5/2006 Turocy ..... G06Q 20/1085  
 235/379  
 D530,880 S \* 10/2006 Magee ..... D99/28  
 7,229,009 B1 \* 6/2007 Parsons ..... G06Q 20/341  
 235/379  
 7,284,692 B1 \* 10/2007 Douglass ..... G06Q 20/352  
 235/379  
 D558,425 S \* 12/2007 Dias ..... D99/28  
 7,533,802 B1 \* 5/2009 McGinley ..... G07F 19/20  
 235/376

D615,274 S \* 5/2010 Kim ..... D99/28  
 D625,305 S \* 10/2010 Bleck ..... D14/307  
 D625,485 S \* 10/2010 Lee ..... D99/28  
 D628,764 S \* 12/2010 Bleck ..... D99/28  
 7,849,011 B1 \* 12/2010 McCoy ..... G06Q 20/10  
 705/43  
 7,959,072 B1 \* 6/2011 Jenkins ..... G07F 19/20  
 235/379  
 7,988,039 B1 \* 8/2011 Muschellack ..... G07F 19/207  
 235/379  
 D672,525 S \* 12/2012 Lee ..... D99/28  
 D696,484 S \* 12/2013 Lee ..... D99/28  
 D696,485 S \* 12/2013 Lee ..... D99/28  
 D765,340 S \* 8/2016 Lee ..... D99/28  
 D825,883 S \* 8/2018 Oh ..... D99/28  
 D859,778 S \* 9/2019 Pieratt ..... D99/28  
 D885,705 S \* 5/2020 Pieratt ..... D99/28  
 2004/0262379 A1 \* 12/2004 Gomes ..... G07F 17/248  
 235/379  
 2005/0029340 A1 \* 2/2005 Ferraro ..... G07F 19/205  
 235/379  
 2006/0073883 A1 \* 4/2006 Franks, Jr. .... G07F 17/42  
 463/25  
 2008/0296365 A1 \* 12/2008 Schliebe ..... G07F 19/2055  
 235/379  
 2010/0161489 A1 \* 6/2010 Goodall ..... G07F 19/202  
 705/45

\* cited by examiner

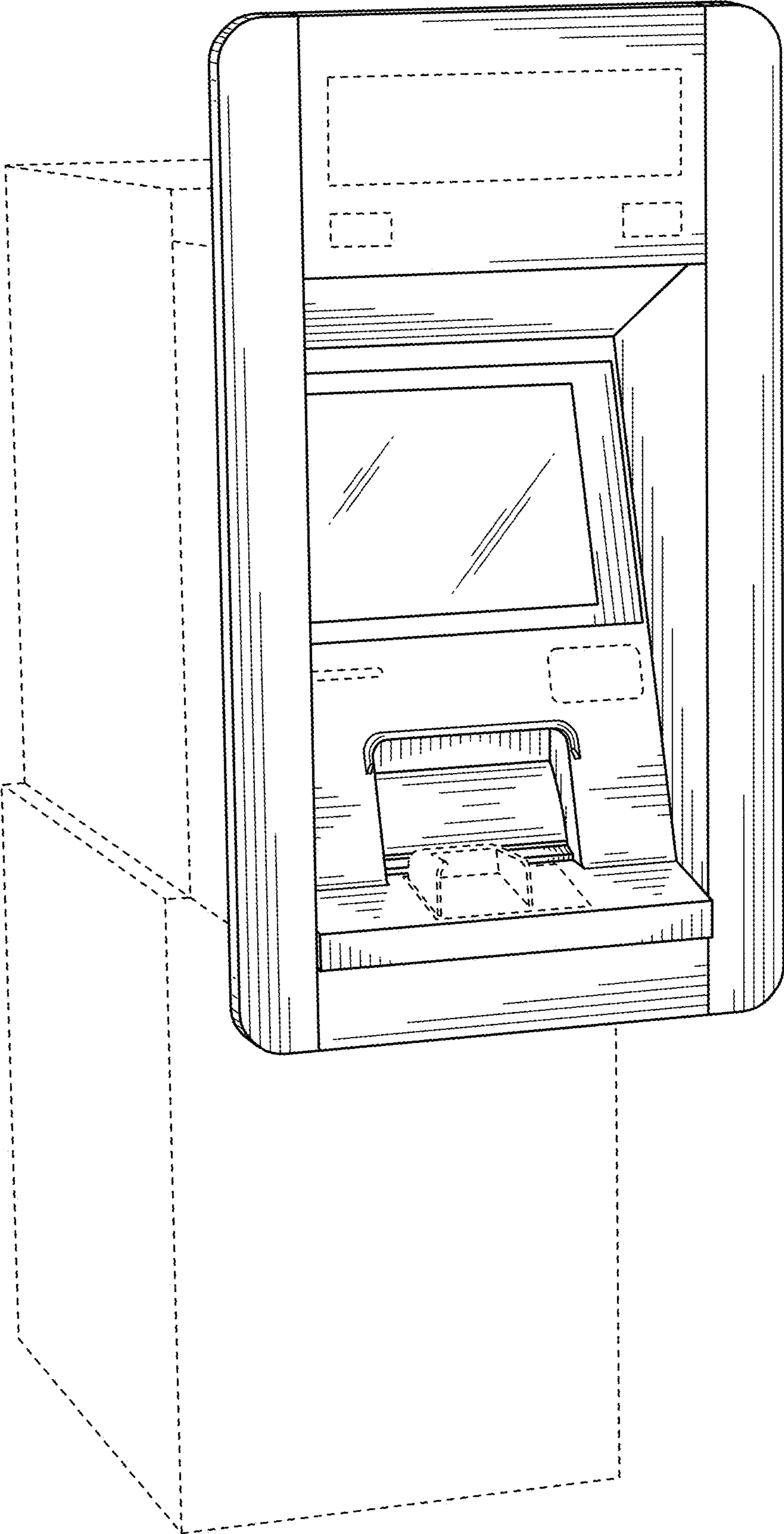


FIG. 1

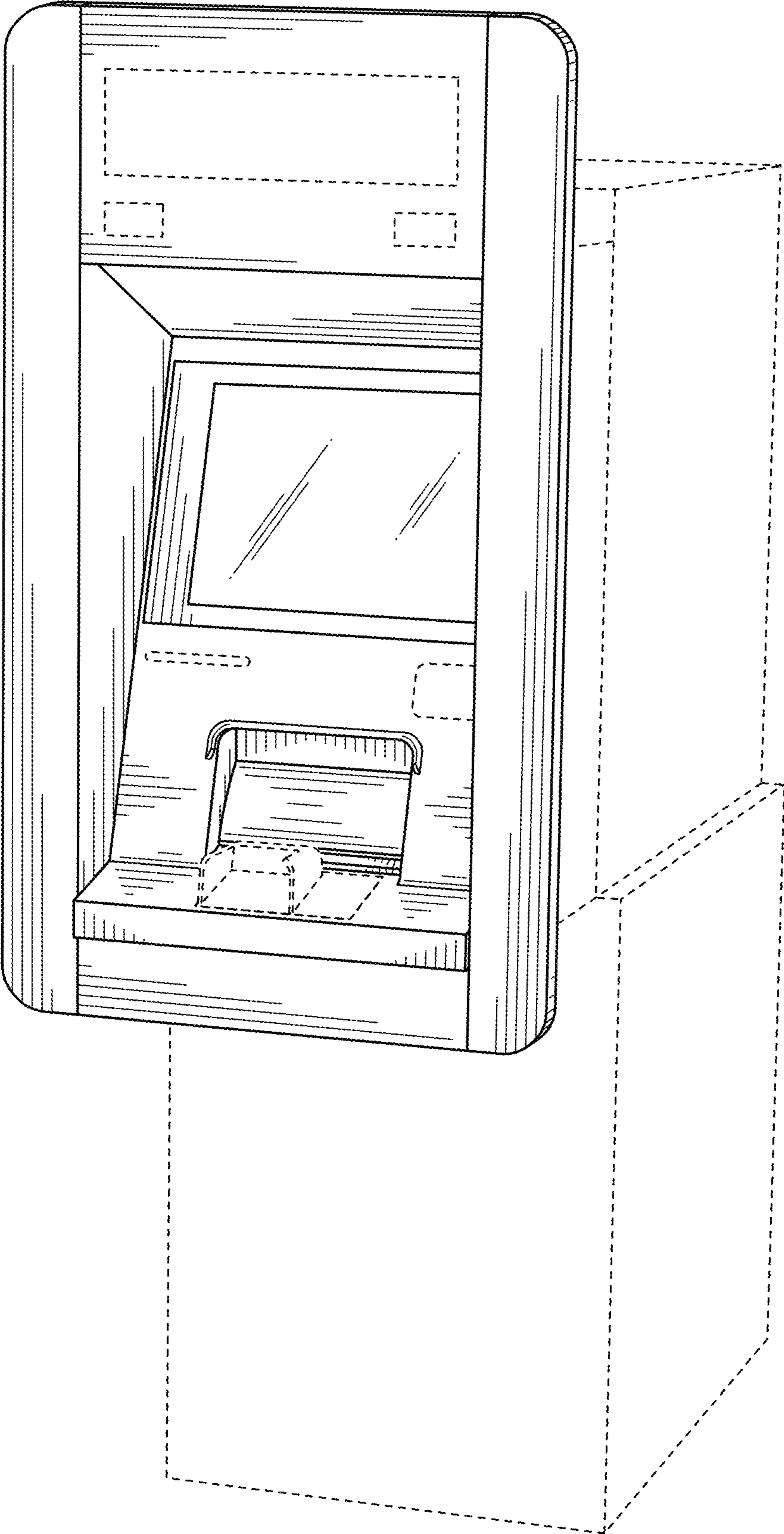


FIG. 2



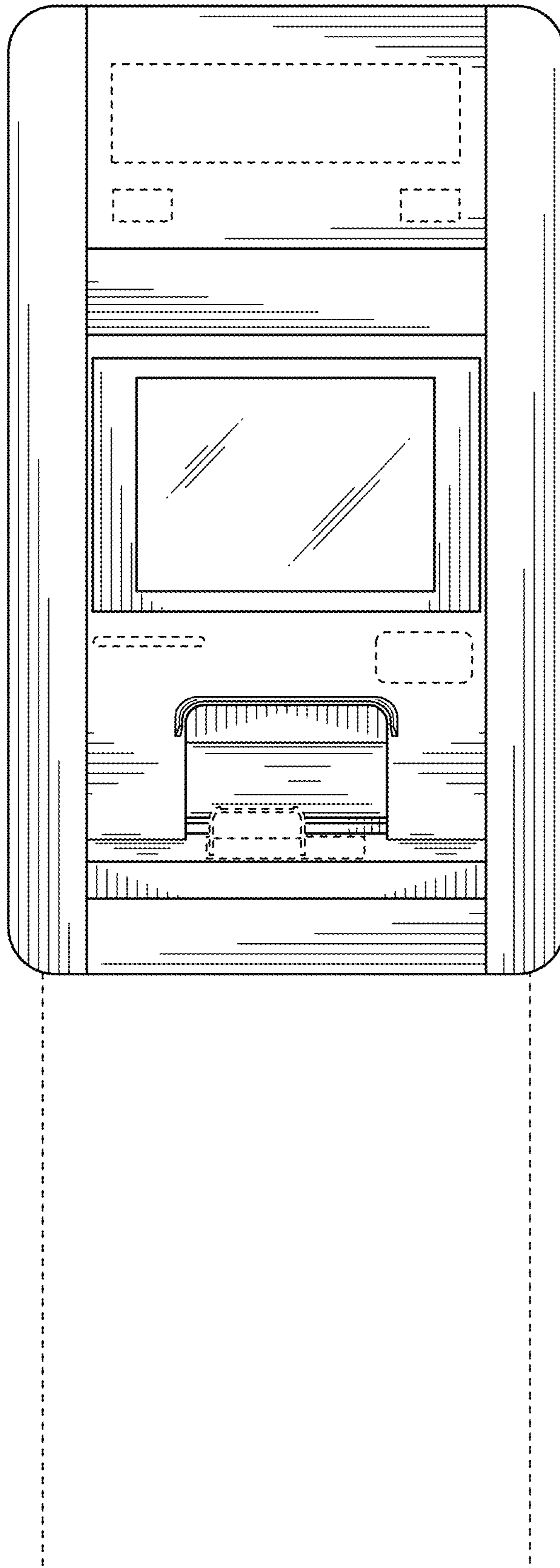


FIG. 3

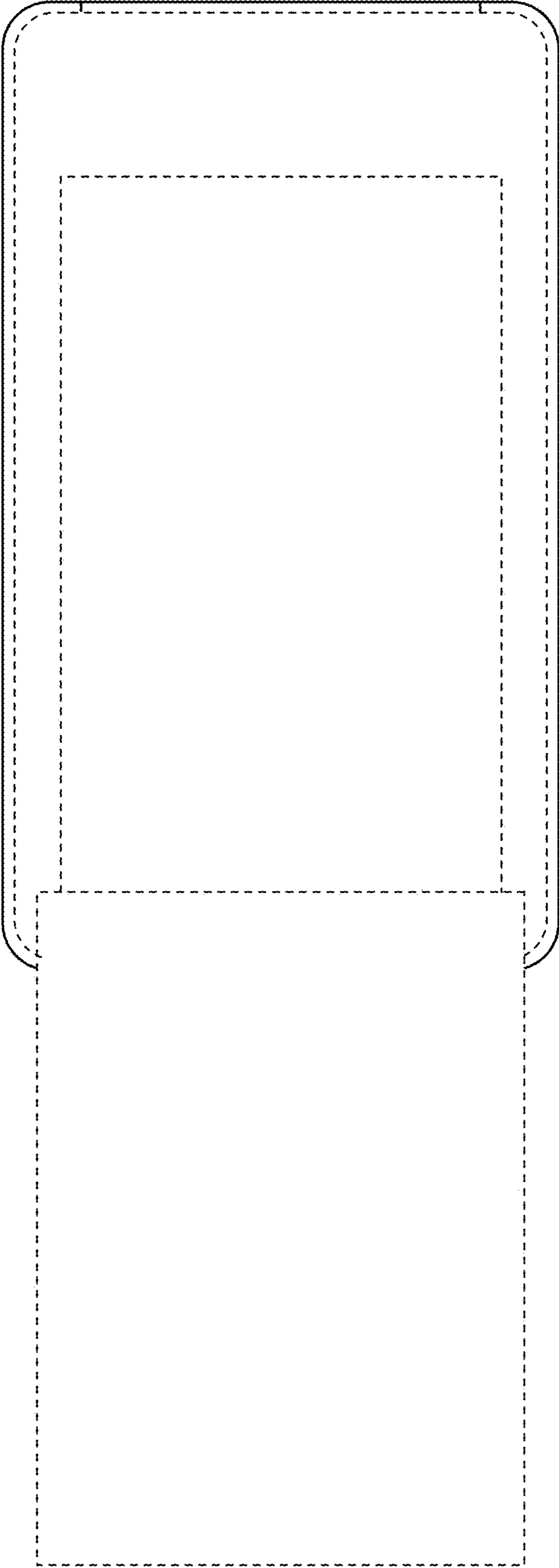


FIG. 4

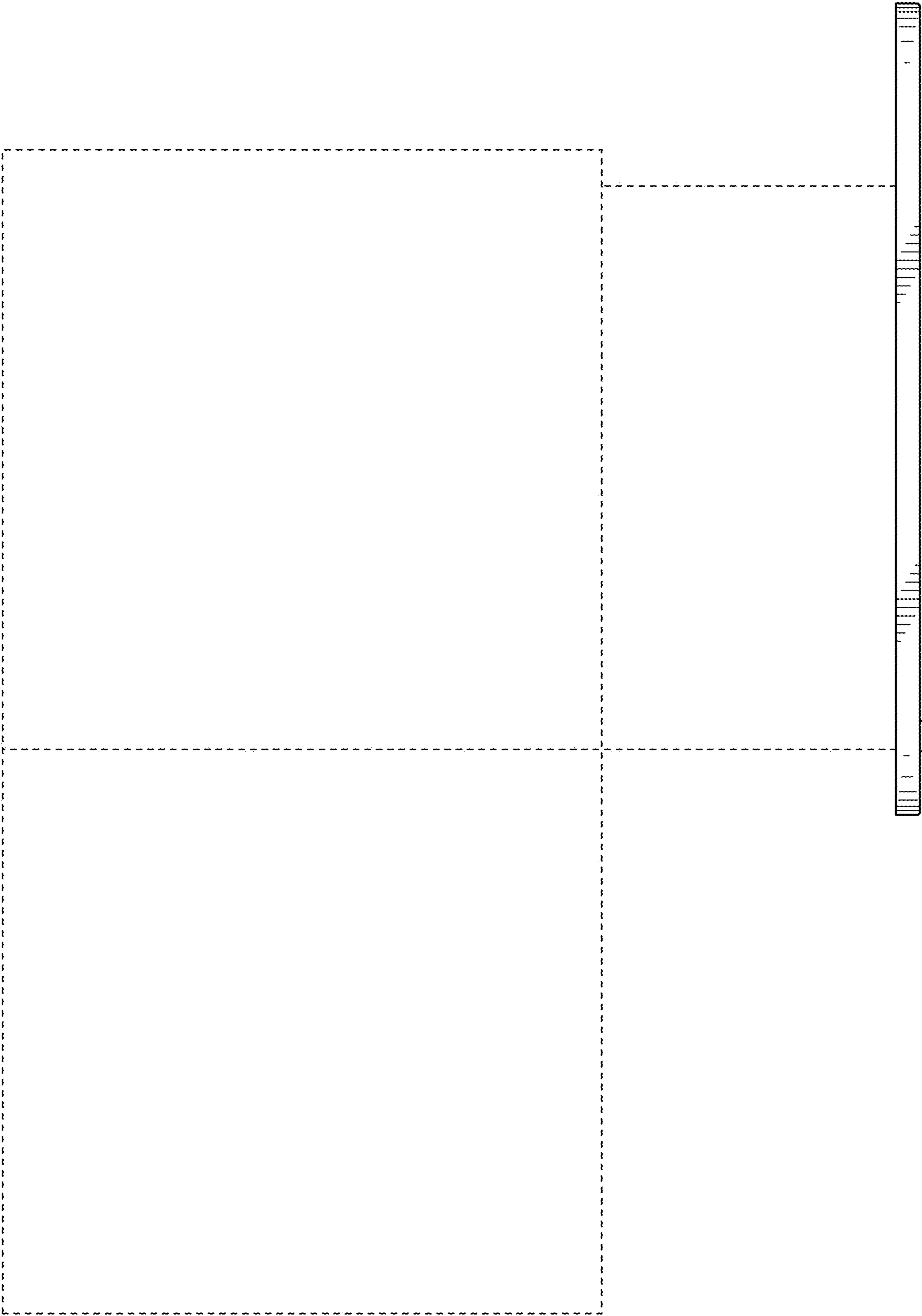


FIG. 5

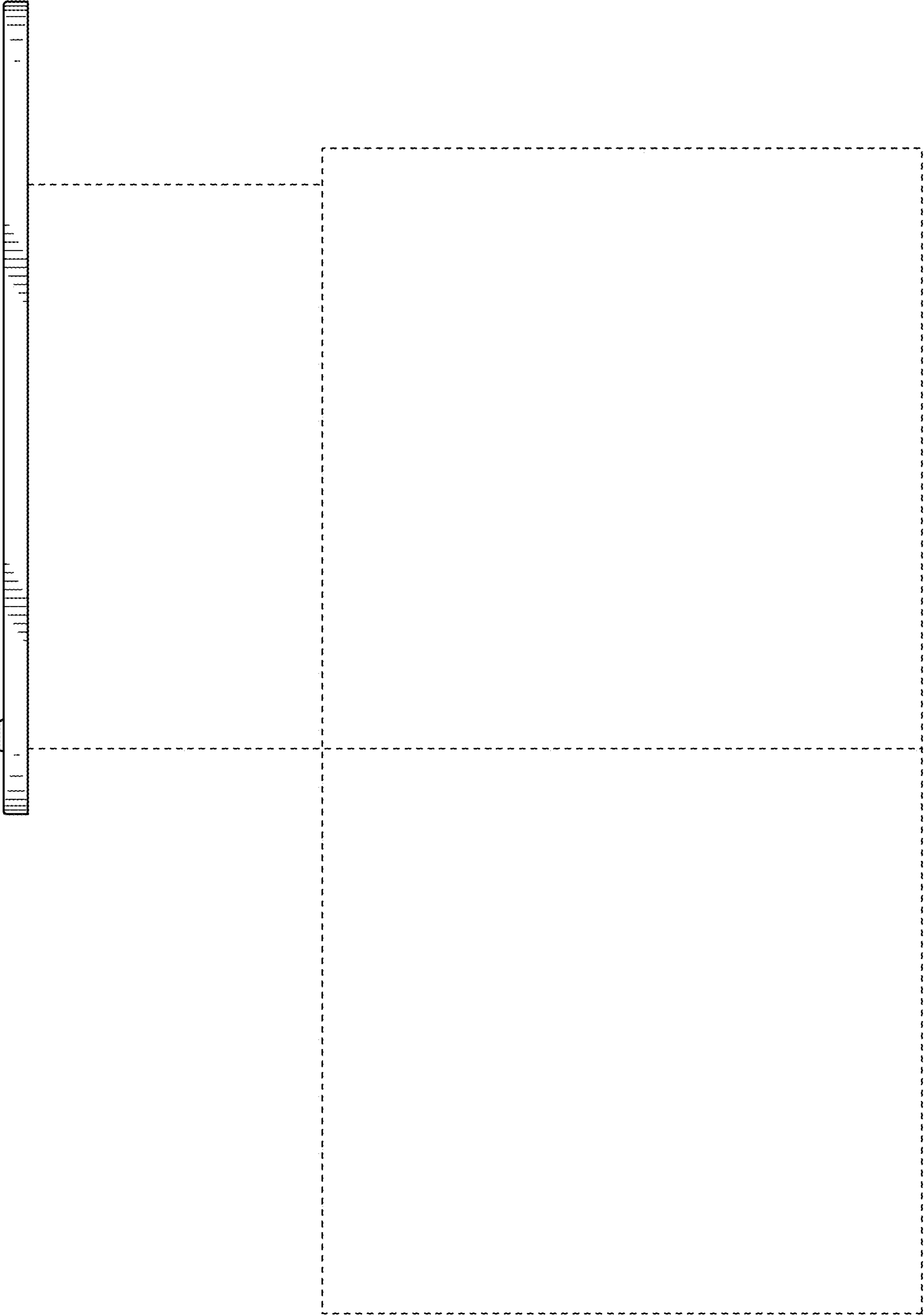


FIG. 6



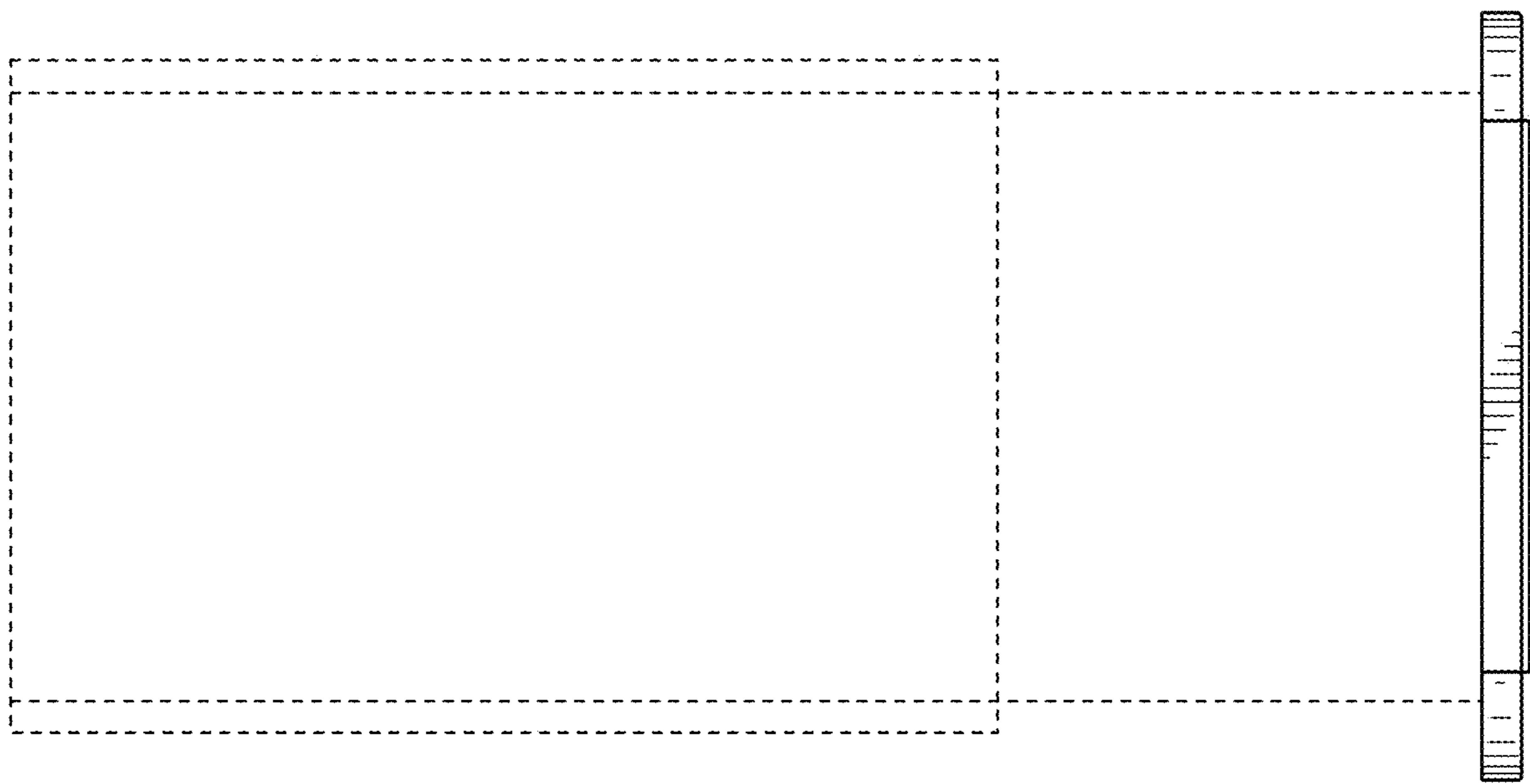


FIG. 7