



US00D901823S

(12) **United States Design Patent**
Kliën

(10) **Patent No.:** **US D901,823 S**

(45) **Date of Patent:** **** Nov. 10, 2020**

- (54) **MEDITATION WHEEL**
- (71) Applicant: **Duke University**, Durham, NC (US)
- (72) Inventor: **Michael Kliën**, Durham, NC (US)
- (73) Assignee: **DUKE UNIVERSITY**, Durham, NC (US)
- (**) Term: **15 Years**
- (21) Appl. No.: **29/628,809**
- (22) Filed: **Dec. 7, 2017**
- (51) **LOC (12) Cl.** **11-01**
- (52) **U.S. Cl.**
USPC **D99/25**
- (58) **Field of Classification Search**
USPC D99/25, 99; D7/306, 317; D21/465, 467
CPC . A41D 23/00; G06K 7/10; A47C 9/00; A47G
33/00; A63B 26/00
See application file for complete search history.

(56) **References Cited**

U.S. PATENT DOCUMENTS

- 1,542,432 A * 6/1925 Wilson A41G 1/00
428/26
- 3,315,963 A * 4/1967 Masters A63F 7/38
473/569
- D219,626 S * 12/1970 Bruce et al. D99/99
- 3,819,458 A * 6/1974 Kinderman A41G 1/00
428/10
- D238,329 S * 1/1976 Davis D99/25
- 4,193,213 A * 3/1980 Suda A63F 9/181
273/161
- D349,471 S * 8/1994 Russo D11/130
- D358,017 S * 5/1995 Clark D99/99
- D377,702 S * 1/1997 Monosov D99/25
- D393,534 S * 4/1998 Stone D99/25
- D399,984 S * 10/1998 Stone D99/99
- 7,891,125 B1 * 2/2011 Piccirillo A47G 33/00
40/799

- 8,337,211 B1 * 12/2012 Hughes A44C 23/00
434/246
- D720,651 S * 1/2015 Lambeth D11/164
- 9,830,500 B2 * 11/2017 Bartels G06K 7/10
- 2002/0164566 A1 * 11/2002 McGovern A44C 23/00
434/246
- 2003/0189877 A1 * 10/2003 Bubar G04B 37/127
368/223
- 2013/0043364 A1 * 2/2013 Stoeppler A47G 33/00
248/322
- 2015/0257568 A1 * 9/2015 Franceschi A47G 33/00
428/10

(Continued)

OTHER PUBLICATIONS

Prana Meditation Spinning Ring | UncommonGoods website 2019, <https://www.uncommongoods.com/product/prana-meditation-spinning-ring>, site visited Jul. 22, 2019.*

(Continued)

Primary Examiner — John R Yeh
(74) *Attorney, Agent, or Firm* — Olive & Olive, P.A.

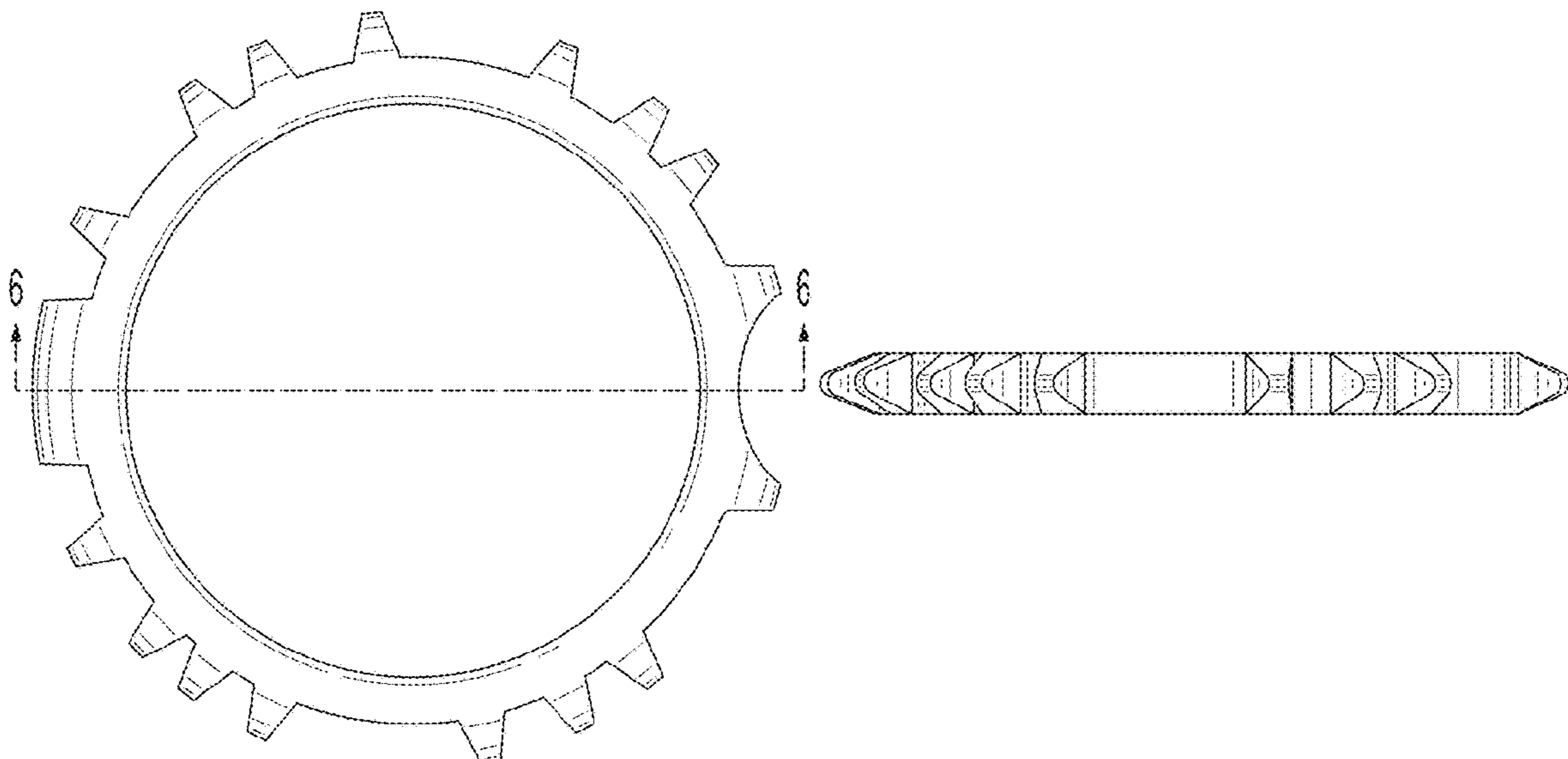
(57) **CLAIM**

The ornamental design for a meditation wheel, as shown and described.

DESCRIPTION

FIG. 1 is a top view of a design for a meditation wheel, the bottom view being a mirror image of the top view; FIG. 2 is a front view of the meditation wheel of FIG. 1; FIG. 3 is a right side view of the meditation wheel of FIG. 1; FIG. 4 is a left side view of the meditation wheel of FIG. 1; FIG. 5 is a rear view of the meditation wheel of FIG. 1; and, FIG. 6 is a cross-section view taken from the line shown in FIG. 1.

1 Claim, 2 Drawing Sheets



(56)

References Cited

U.S. PATENT DOCUMENTS

2016/0092707 A1* 3/2016 Madkour A44C 23/00
340/10.1
2016/0278486 A1* 9/2016 Okumu A44B 6/00

OTHER PUBLICATIONS

Medicine Wheel Meditation for Mother Earth, Mystic Fannilar
website 2019, site visited Jul. 22, 2019, http://www.mysticfamiliar.com/archive/visually_guided_meditation_S/medicine_wheel_meditation.htm.*

* cited by examiner

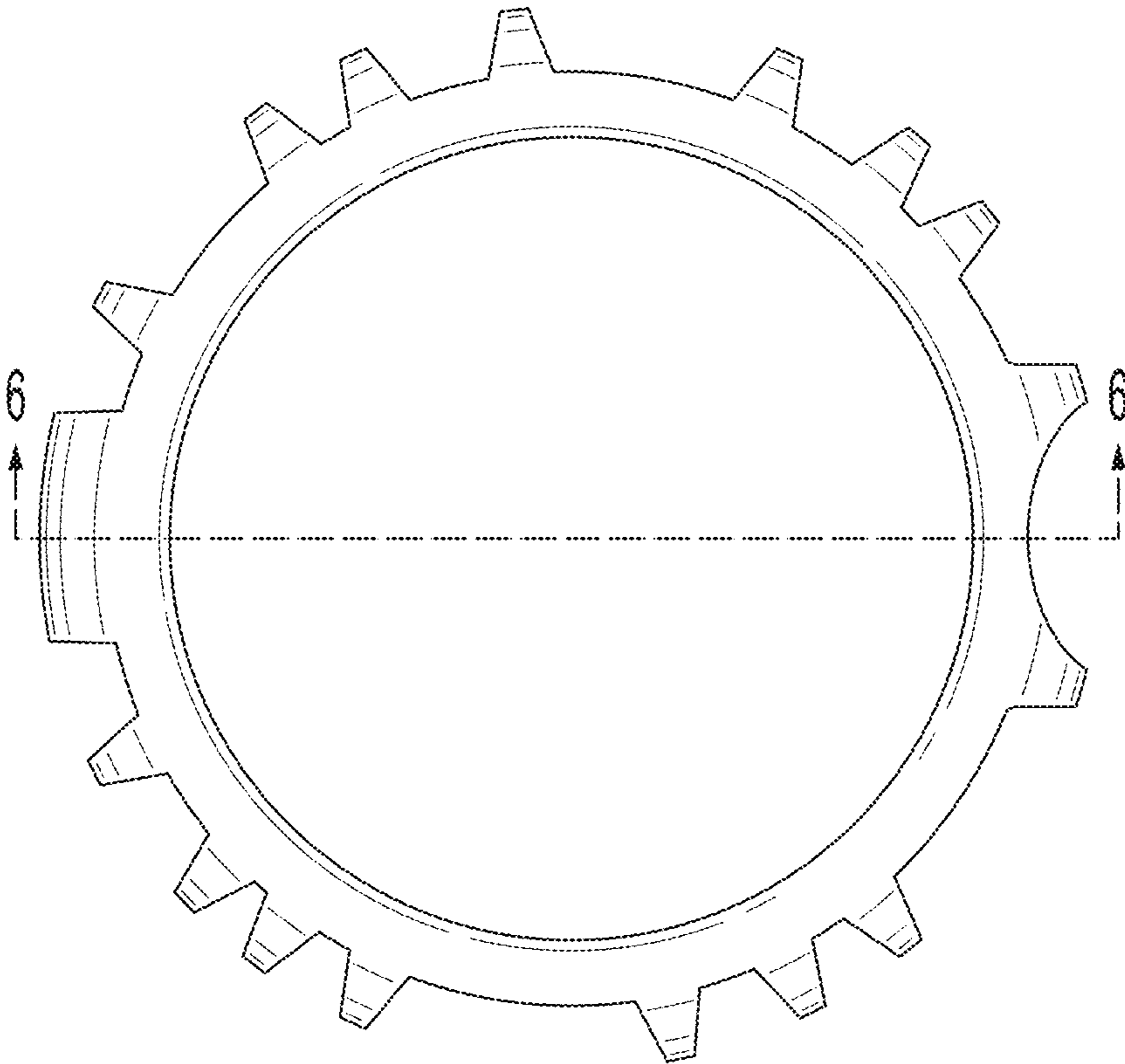


FIG. 1



FIG. 2

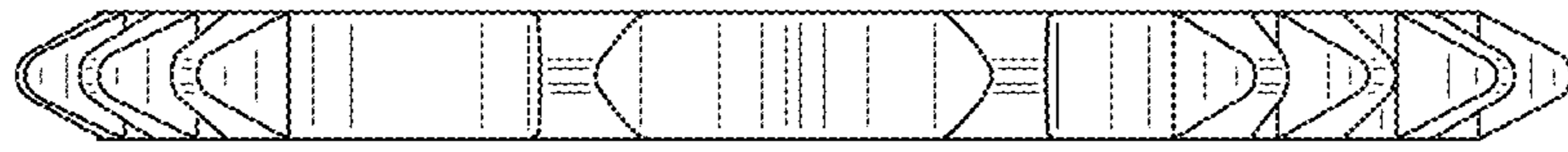


FIG. 3

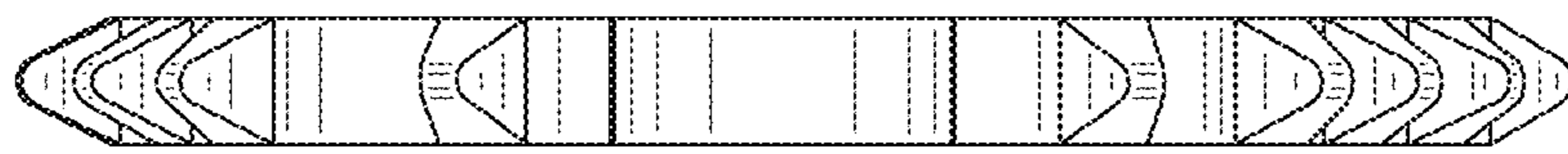


FIG. 4

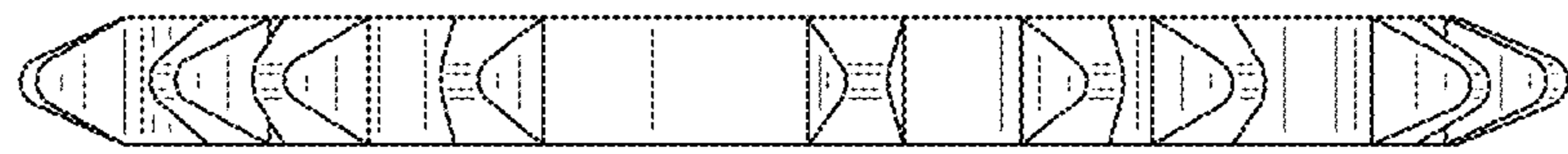


FIG. 5



FIG. 6