



US00D901821S

(12) **United States Design Patent** (10) **Patent No.:** **US D901,821 S**  
**Zheng** (45) **Date of Patent:** **\*\* Nov. 10, 2020**

(54) **GUIDE ROPE FRAME FOR WINCH**  
(71) Applicant: **NINGBO CHIMA WINCH CO., LTD.**, Ningbo (CN)  
(72) Inventor: **Mingkui Zheng**, Ningbo (CN)  
(73) Assignee: **NINGBO CHIMA WINCH CO., LTD.**, Ningbo (CN)  
(\*\*) Term: **15 Years**  
(21) Appl. No.: **29/661,832**  
(22) Filed: **Aug. 31, 2018**  
(51) **LOC (12) Cl.** ..... **12-05**  
(52) **U.S. Cl.**  
USPC ..... **D34/35; D8/356**  
(58) **Field of Classification Search**  
USPC ..... D34/33, 35; D11/218, 231, 212; D8/356  
CPC ..... H02K 1/2773; A44B 11/06; A44B 11/26;  
A44B 11/25; A44B 11/04; B65H 57/16;  
E02D 5/803; B63B 21/045; B63B 59/02;  
B60D 1/18; B66D 2700/0191  
See application file for complete search history.

D740,513 S \* 10/2015 Fretz ..... D34/33  
D744,189 S \* 11/2015 Fretz ..... D34/33  
D744,897 S \* 12/2015 Badgett ..... B66D 1/02  
D11/210  
9,266,702 B2 \* 2/2016 Fretz ..... B66D 1/36  
D807,731 S \* 1/2018 Fretz ..... H05K 7/1432  
D8/356  
D807,732 S \* 1/2018 Fretz ..... B66D 1/00  
D8/356  
D807,733 S \* 1/2018 Fretz ..... B66D 1/225  
D8/356  
D816,937 S \* 5/2018 Fretz ..... D34/33  
D840,870 S \* 2/2019 Koreishi ..... D11/218  
D849,352 S \* 5/2019 Fretz ..... D34/33  
D856,845 S \* 8/2019 Ishii ..... D11/218  
D866,115 S \* 11/2019 Fretz ..... D34/33  
10,519,012 B1 \* 12/2019 Hare ..... B66D 1/36

(Continued)

*Primary Examiner* — Cynthia Ramirez  
(74) *Attorney, Agent, or Firm* — Bayramoglu Law Offices LLC

(57) **CLAIM**

The ornamental design for a guide rope frame for winch, as shown and described.

**DESCRIPTION**

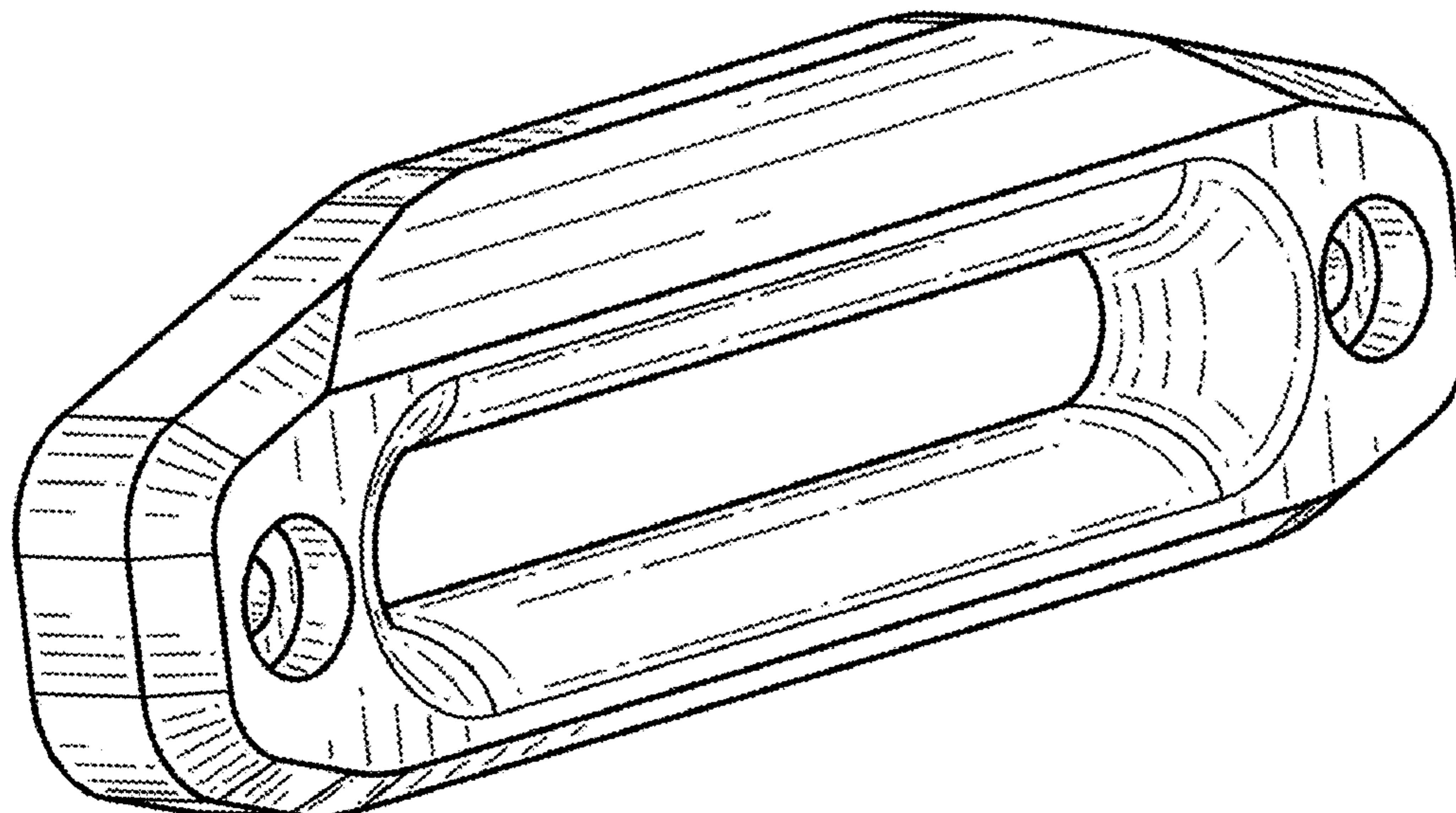
FIG. 1 is a perspective view of a guide rope frame for winch showing the new design;  
FIG. 2 is another perspective view thereof;  
FIG. 3 is a front view thereof;  
FIG. 4 is a rear view thereof;  
FIG. 5 is a left side view thereof;  
FIG. 6 is a right side view thereof;  
FIG. 7 is a top view thereof; and,  
FIG. 8 is a bottom view thereof.  
The broken lines in the figures are for the purpose of illustrating portions of the guide rope frame for winch that form no part of the claimed design.

**1 Claim, 8 Drawing Sheets**

(56) **References Cited**

**U.S. PATENT DOCUMENTS**

D193,943 S \* 10/1962 Gray ..... D34/33  
D265,173 S \* 6/1982 Brooks ..... B66D 1/12  
D34/35  
D268,060 S \* 2/1983 Sutela ..... B66D 1/12  
D34/35  
D363,049 S \* 10/1995 Murai ..... B66D 1/12  
D11/218  
D489,157 S \* 4/2004 Lawson ..... D34/33  
D562,730 S \* 2/2008 Uehara ..... D11/218  
D598,681 S \* 8/2009 Musschoot ..... D34/35  
D667,753 S \* 9/2012 Nanbu ..... D11/218  
D667,754 S \* 9/2012 Takahashi ..... D11/218  
D731,293 S \* 6/2015 Fretz ..... B66D 1/12  
D8/356



(56)

**References Cited**

U.S. PATENT DOCUMENTS

10,562,743	B2 *	2/2020	Fretz .....	B66D 1/36
2007/0163088	A1 *	7/2007	Gracer .....	A44B 11/04
				24/198
2014/0001428	A1 *	1/2014	Fretz .....	B66D 1/12
				254/395
2014/0252286	A1 *	9/2014	Averill .....	B66D 1/56
				254/344
2016/0096709	A1 *	4/2016	Averill .....	B66D 1/485
				254/267
2017/0321851	A1 *	11/2017	Fretz .....	F21V 7/04
2018/0118528	A1 *	5/2018	August .....	H05K 7/1432
2018/0118529	A1 *	5/2018	Vaughn .....	B66D 1/22
2018/0127246	A1 *	5/2018	Fretz .....	B66D 1/12
2018/0170725	A1 *	6/2018	August .....	B66D 1/14
2018/0201488	A1 *	7/2018	Zheng .....	B66D 1/12
2018/0273357	A1 *	9/2018	Huang .....	B66D 1/00
2019/0092608	A1 *	3/2019	Cui .....	B66D 1/225

\* cited by examiner

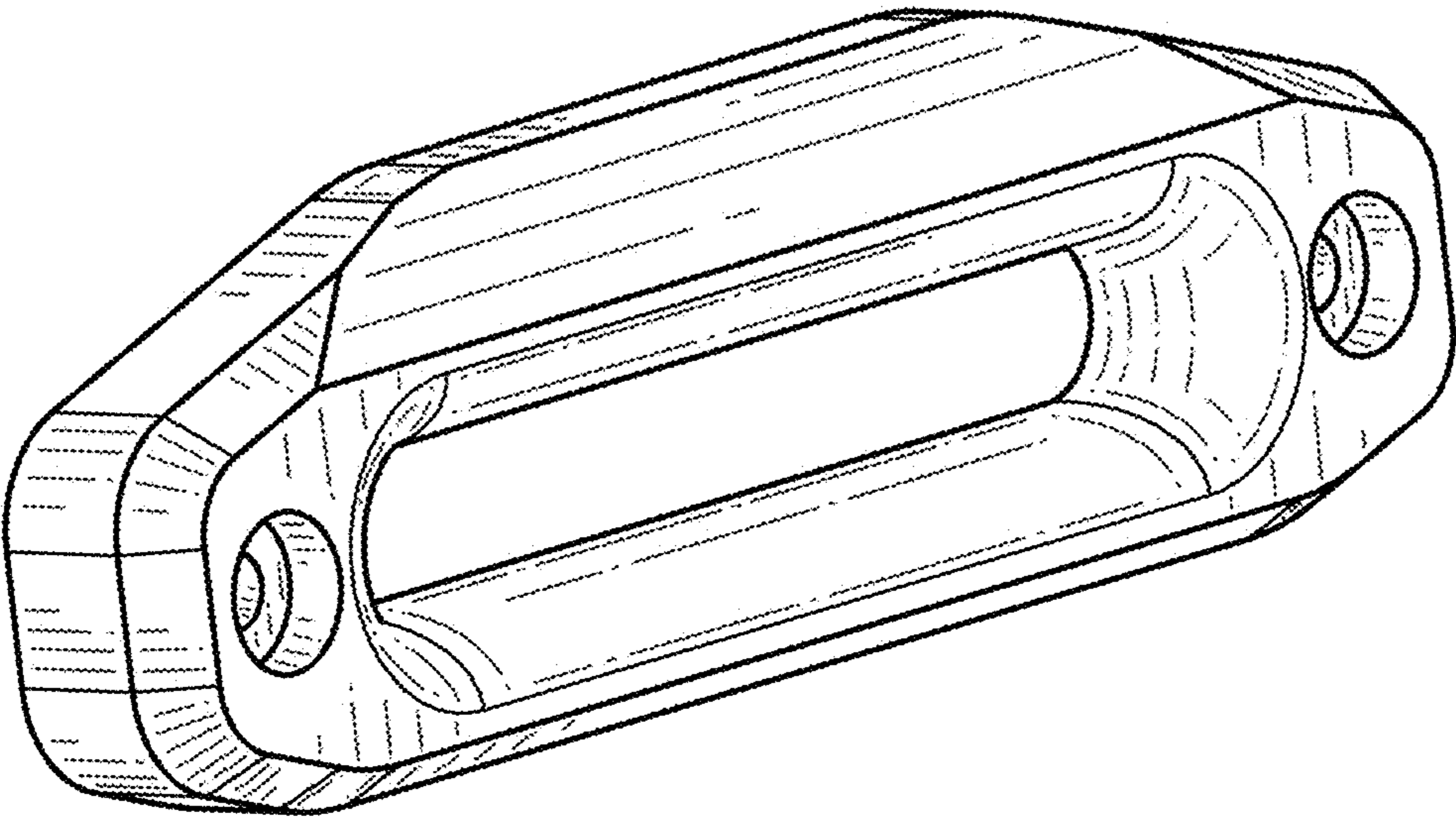


FIG. 1

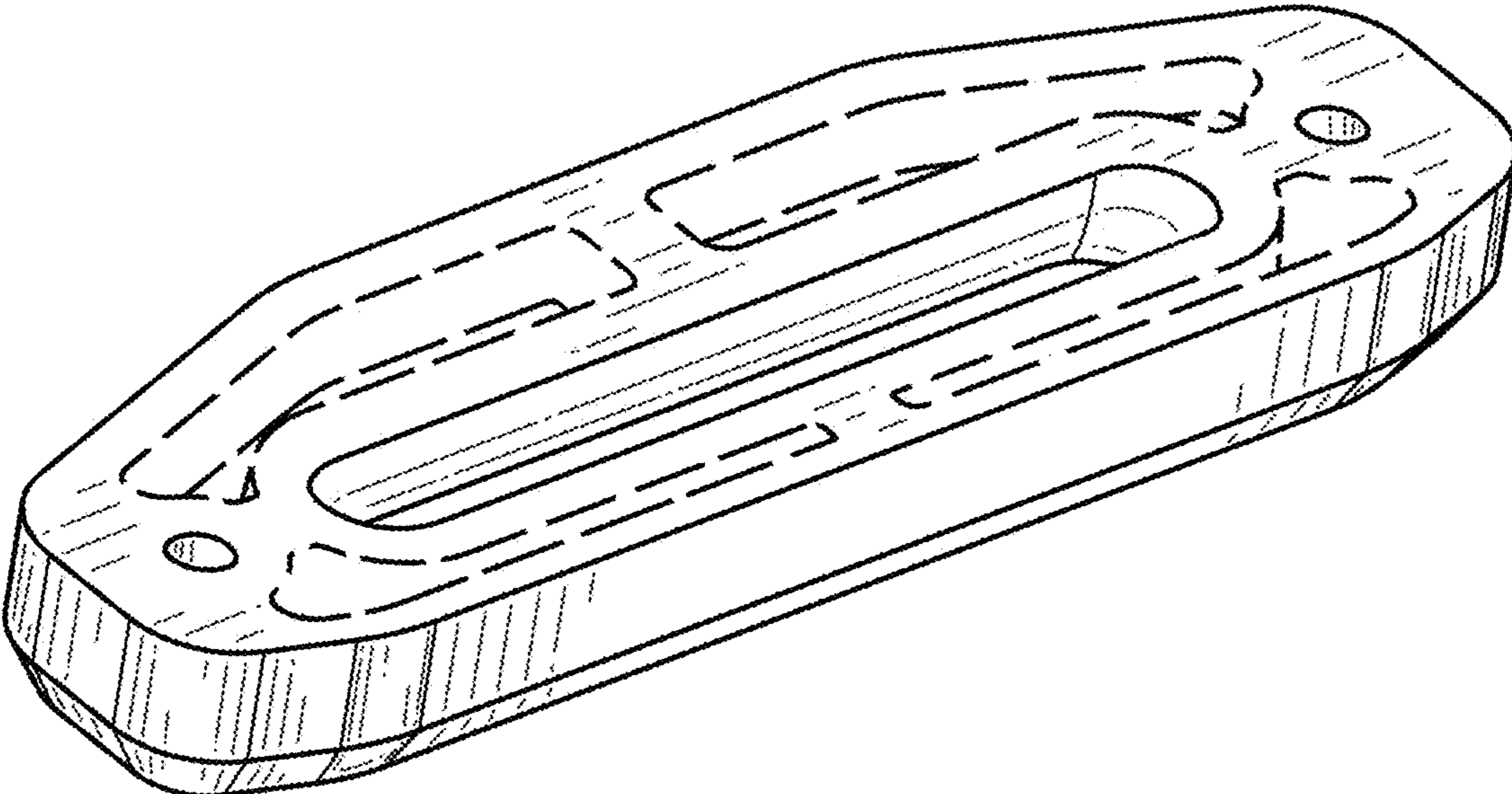


FIG. 2



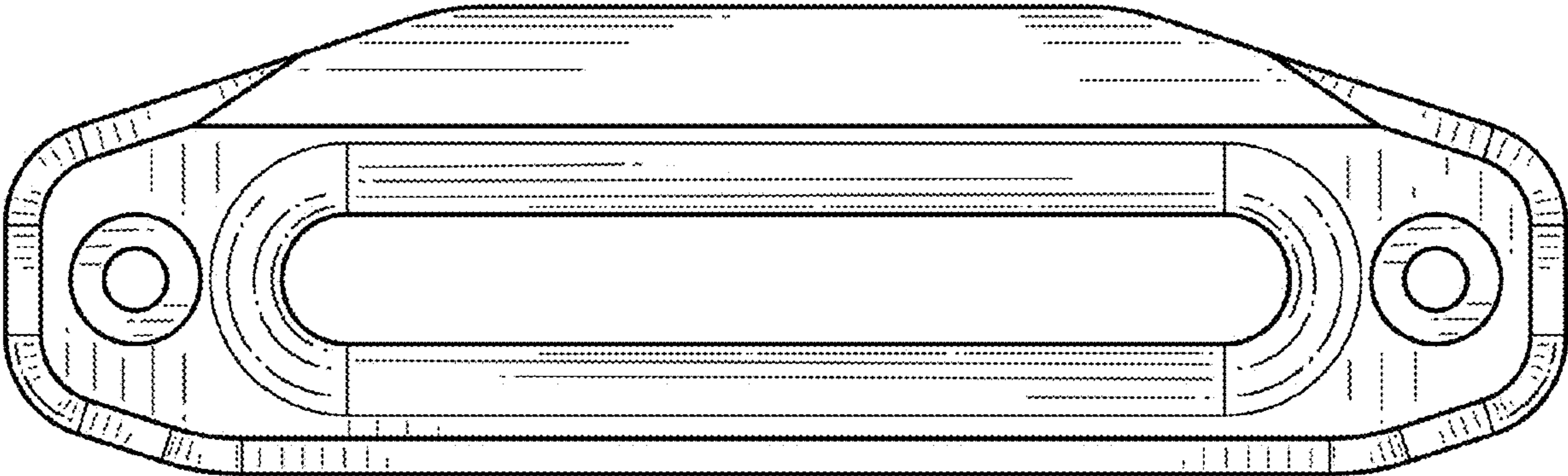


FIG. 3

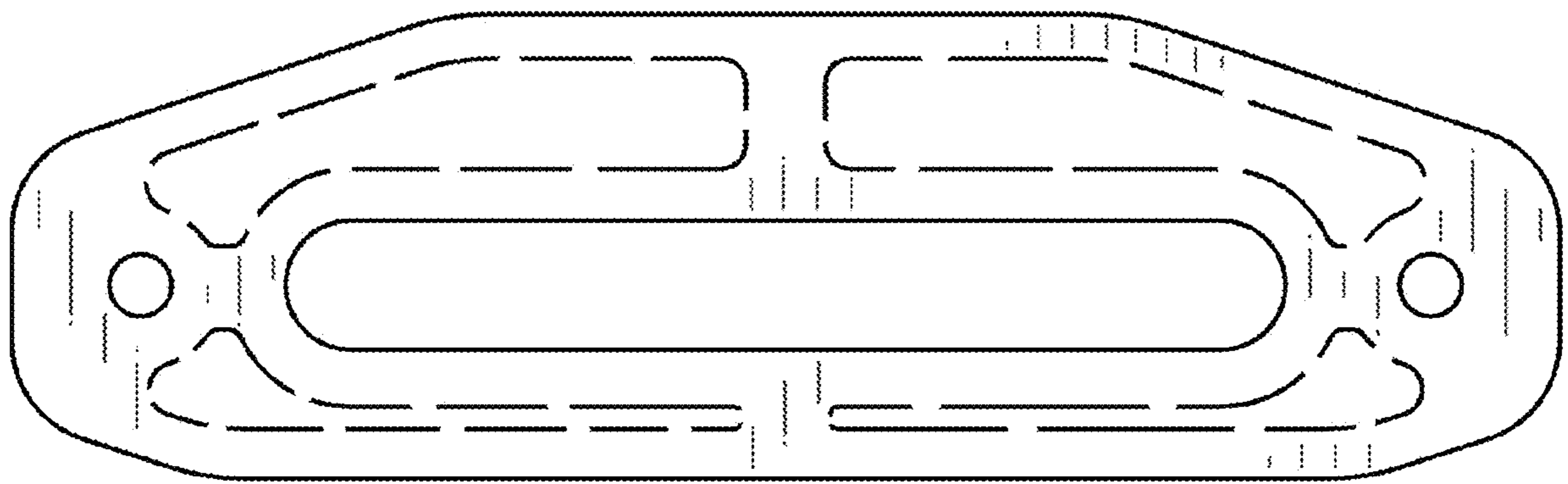


FIG. 4

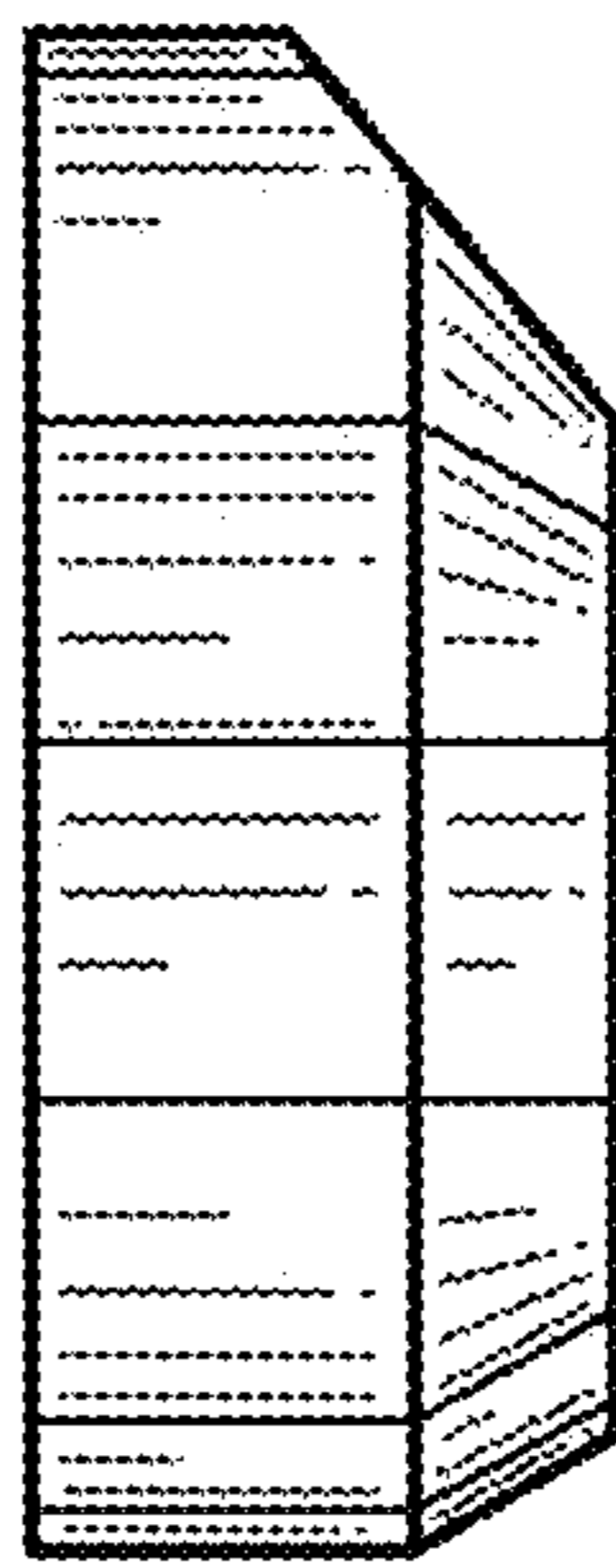


FIG. 5

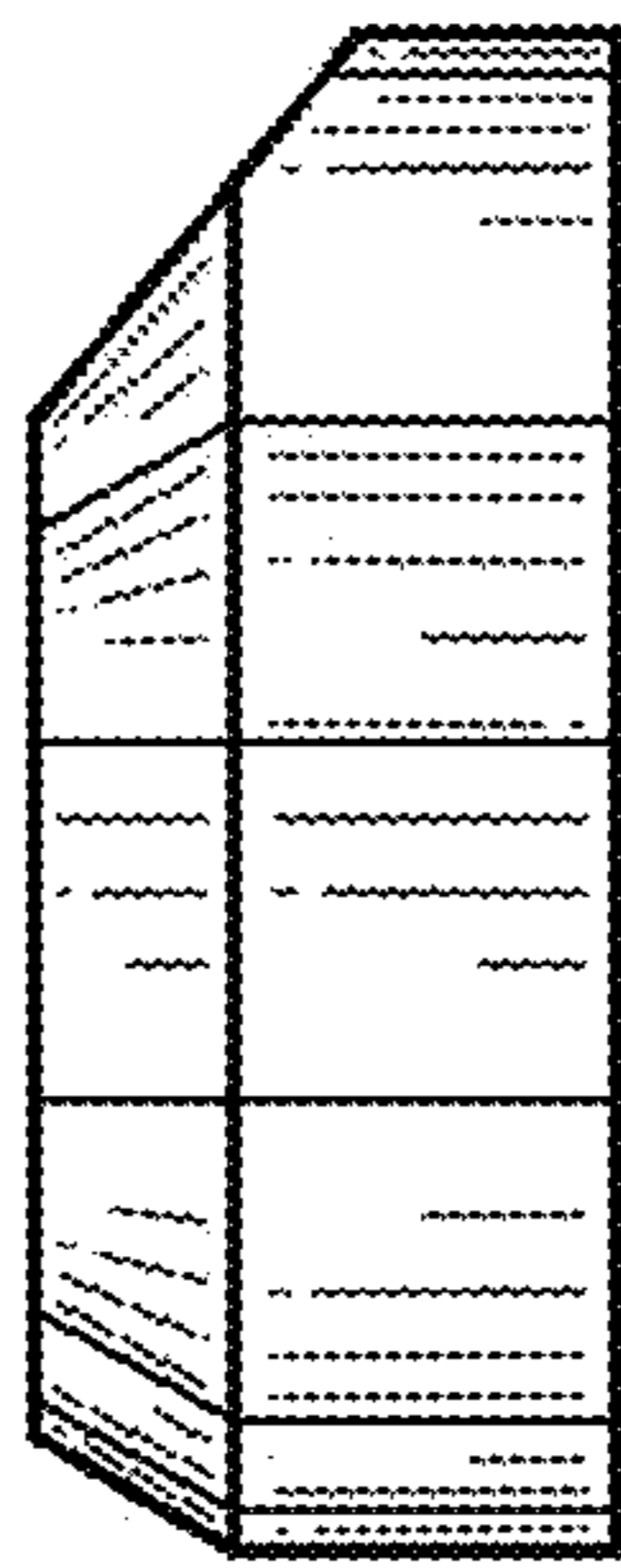


FIG. 6



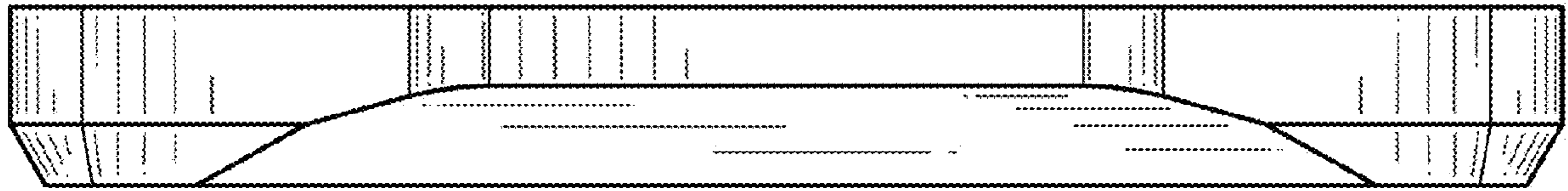


FIG. 7



FIG. 8