

US00D901820S

(12) **United States Design Patent** (10) **Patent No.:** **US D901,820 S**
Liping et al. (45) **Date of Patent:** **** Nov. 10, 2020**

(54) **POWERED STACKER VEHICLE**
(71) Applicant: **Zhejiang E-P Equipment Co., Ltd.**,
Huzhou (CN)
(72) Inventors: **Leng Liping**, Huzhou (CN); **Ma Qichen**, Huzhou (CN); **Li Li**, Huzhou (CN); **Liu Shunli**, Huzhou (CN); **Fang Xingfeng**, Huzhou (CN); **Li Changjiang**, Huzhou (CN)

D655,064 S * 2/2012 Knie D34/34
8,246,008 B2 8/2012 De Jong et al.
D674,982 S 1/2013 Babel et al.
D692,202 S * 10/2013 Feiquan D34/34
D692,203 S * 10/2013 Feiquan D34/34
(Continued)

(73) Assignee: **ZHEJIANG E-P EQUIPMENT CO., LTD.** (CN)
(**) Term: **15 Years**

FOREIGN PATENT DOCUMENTS

DE 102017103864 A1 * 8/2018 B62B 3/0612
FR 2718093 A1 * 10/1995 B62B 3/0618

(21) Appl. No.: **29/726,096**
(22) Filed: **Feb. 28, 2020**

OTHER PUBLICATIONS

www.bluegiant.com, "Power Drive Straddle Trucks", Blue Giant, pp. 1-2, Dated Sep. 1, 2010.

Primary Examiner — Cynthia Ramirez
(74) *Attorney, Agent, or Firm* — Cook Alex Ltd.

Related U.S. Application Data

(62) Division of application No. 29/657,744, filed on Jul. 25, 2018, now Pat. No. Des. 891,022.

(57) **CLAIM**

We claim the ornamental design for a powered stacker vehicle, as shown and described.

(51) **LOC (12) Cl.** **12-05**
(52) **U.S. Cl.**
USPC **D34/34**

DESCRIPTION

(58) **Field of Classification Search**
USPC D34/34, 35
CPC ... B62B 3/0612; B62B 3/0618; B62B 5/0069;
B62B 5/0438; B66F 9/22; B66F 9/085;
B66F 9/186; B66F 9/06; B66F 9/24;
B66F 9/12; B66F 9/0755; B66F 9/07572
See application file for complete search history.

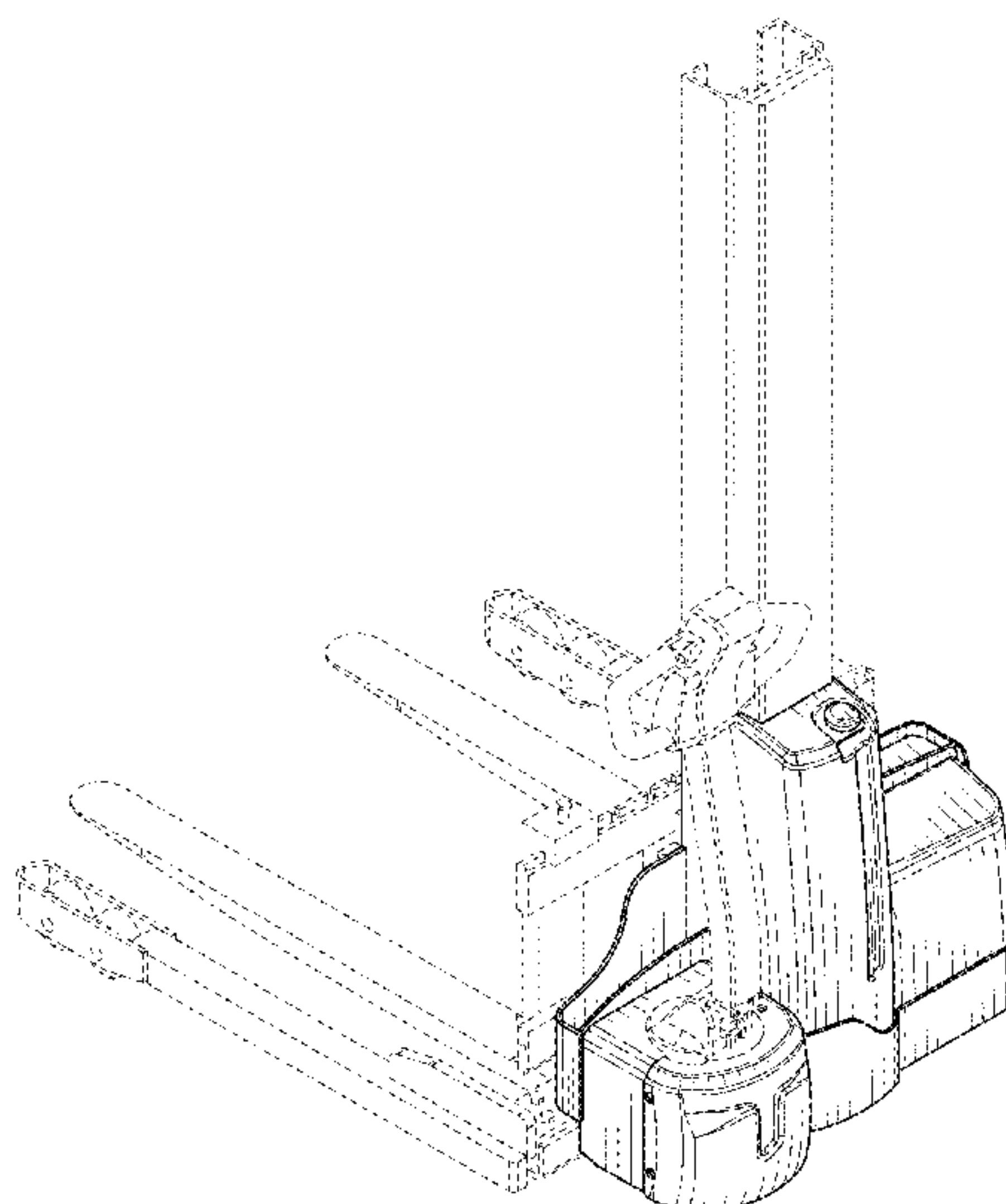
FIG. 1 is a right upper rear perspective view of a powered stacker vehicle according to our new design;
FIG. 2 is a left upper rear perspective view thereof;
FIG. 3 is a right lower rear perspective view thereof;
FIG. 4 is a right front perspective view thereof;
FIG. 5 is a left upper front perspective view thereof;
FIG. 6 is a left lower front perspective view thereof;
FIG. 7 is a front elevational view thereof;
FIG. 8 is a rear elevational view thereof;
FIG. 9 is a right side elevational view thereof;
FIG. 10 is a left side elevational view thereof;
FIG. 11 is a top plan view thereof; and,
FIG. 12 is a bottom plan view thereof.

(56) **References Cited**
U.S. PATENT DOCUMENTS

The broken lines shown in the figures are for the purpose of illustrating portions of the powered stacker vehicle and form no part of the claimed design.

3,844,382 A 10/1974 Mecklenburg
5,586,620 A 12/1996 Dammeyer et al.
6,125,971 A 10/2000 Niebuhr et al.
D565,270 S * 3/2008 Ruppert D34/34
D636,552 S * 4/2011 Finkbeiner D34/28
D636,553 S * 4/2011 Finkbeiner D34/28

1 Claim, 12 Drawing Sheets



(56)

References Cited

U.S. PATENT DOCUMENTS

8,714,311	B2	5/2014	Billger et al.	
D767,236	S *	9/2016	Meng	D34/34
D770,719	S *	11/2016	He	D34/34
D770,720	S *	11/2016	He	D34/34
D819,923	S	6/2018	Qichen et al.	
D872,965	S *	1/2020	Yuanwei	D34/34
D874,081	S *	1/2020	De Jong	B66F 7/20 D34/28
D874,083	S	1/2020	Chao et al.	
D891,022	S *	7/2020	Liping	D34/34
D895,221	S *	9/2020	Nilsson	D34/34
2005/0034928	A1 *	2/2005	Lewis	B66F 9/07 187/230
2006/0181039	A1	3/2006	Fridlington et al.	
2011/0120807	A1 *	5/2011	Persson	B66F 9/085 187/237
2017/0101265	A1 *	4/2017	Lilley	B65G 7/04
2018/0354760	A1 *	12/2018	Elliott	G01S 5/0289
2019/0322508	A1	10/2019	Lili et al.	

* cited by examiner

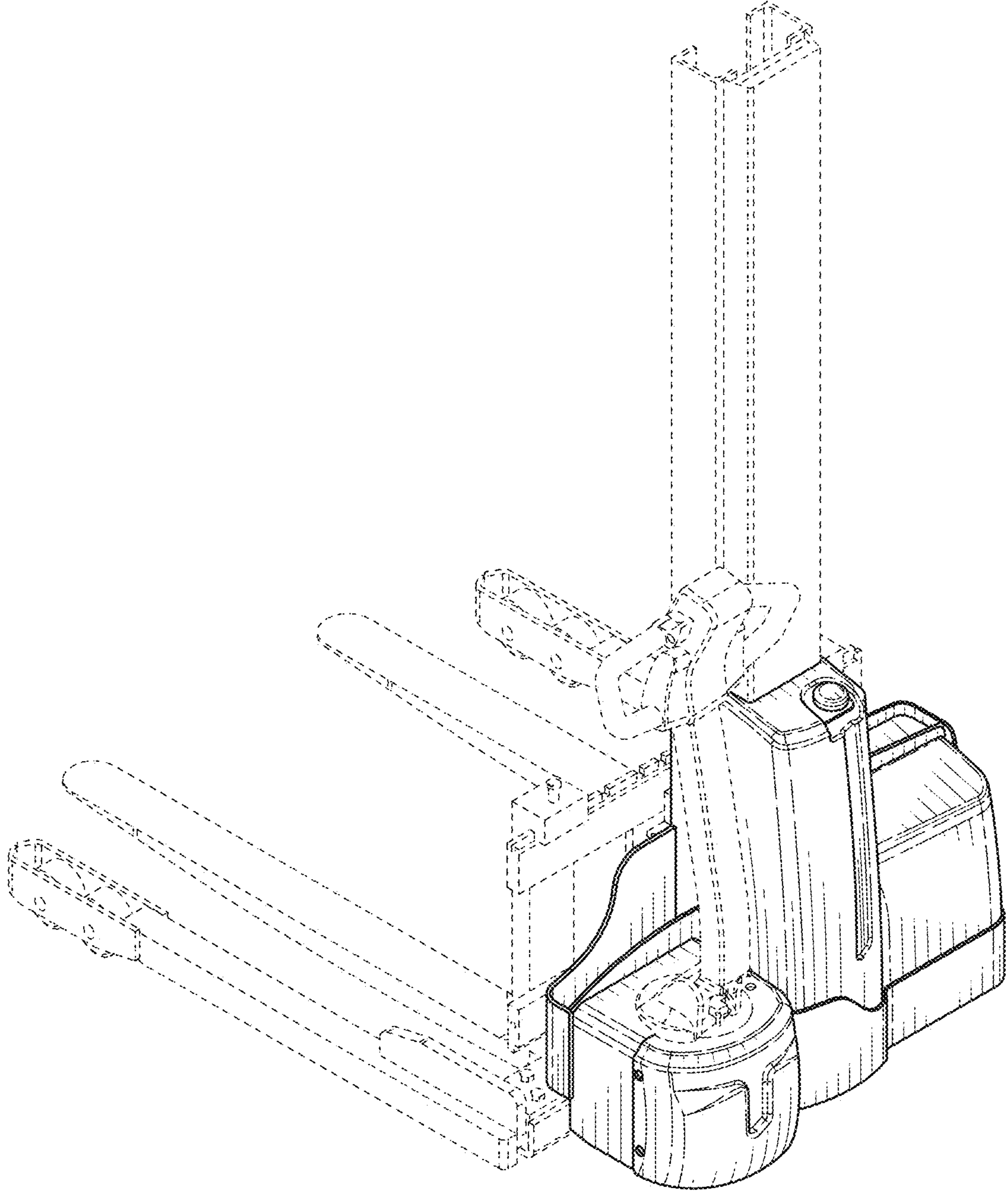


FIG. 1

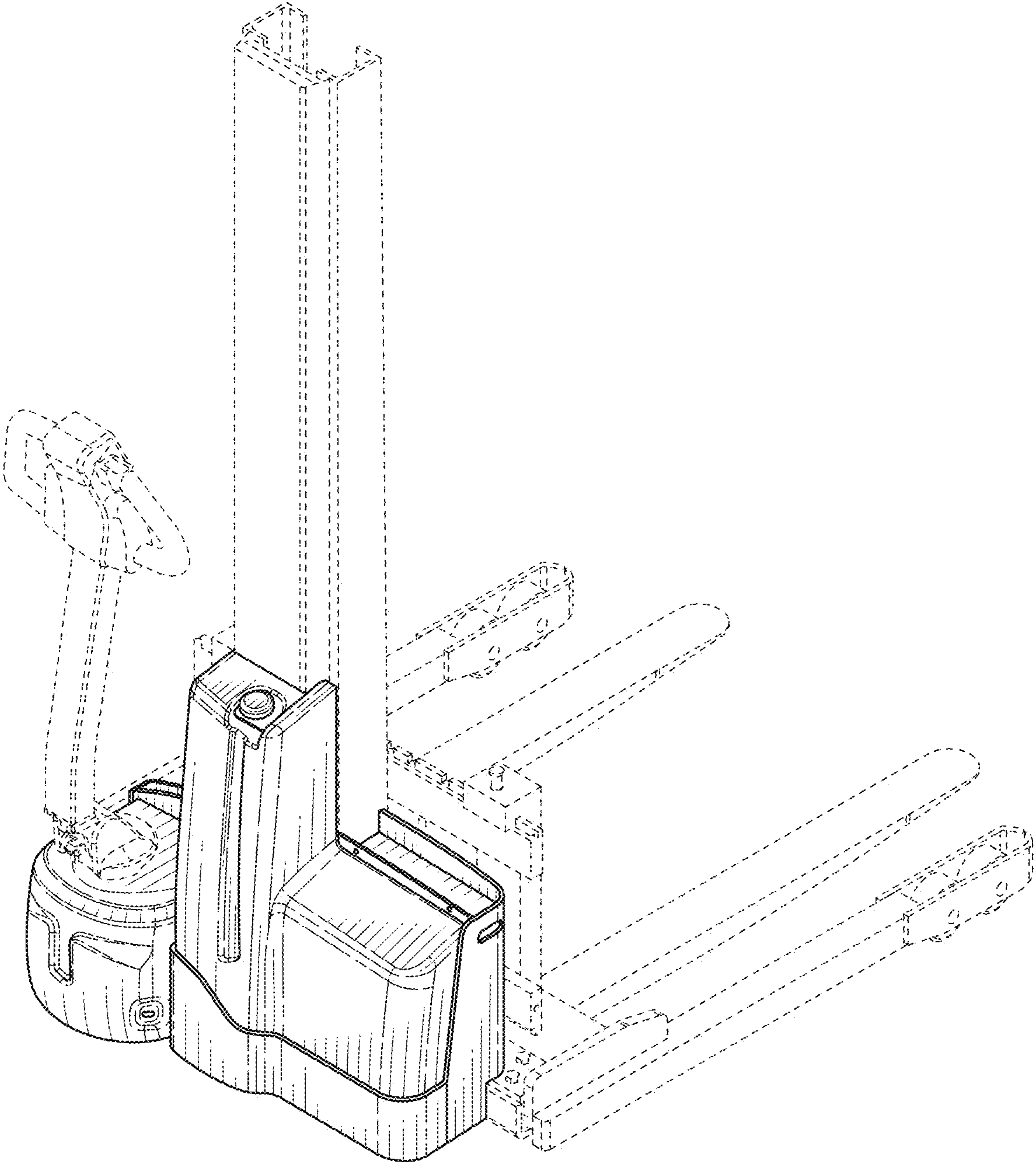


FIG. 2

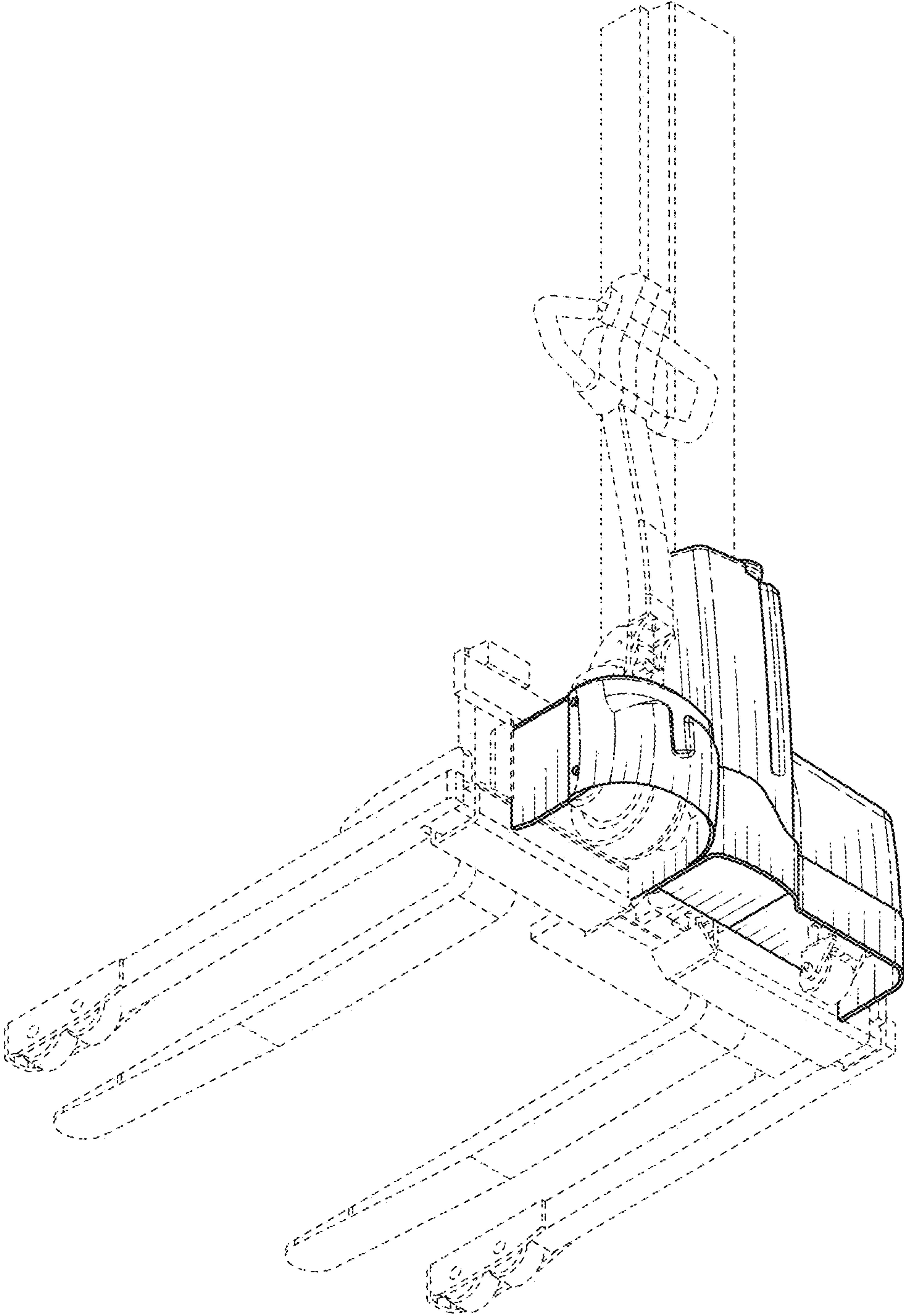


FIG. 3

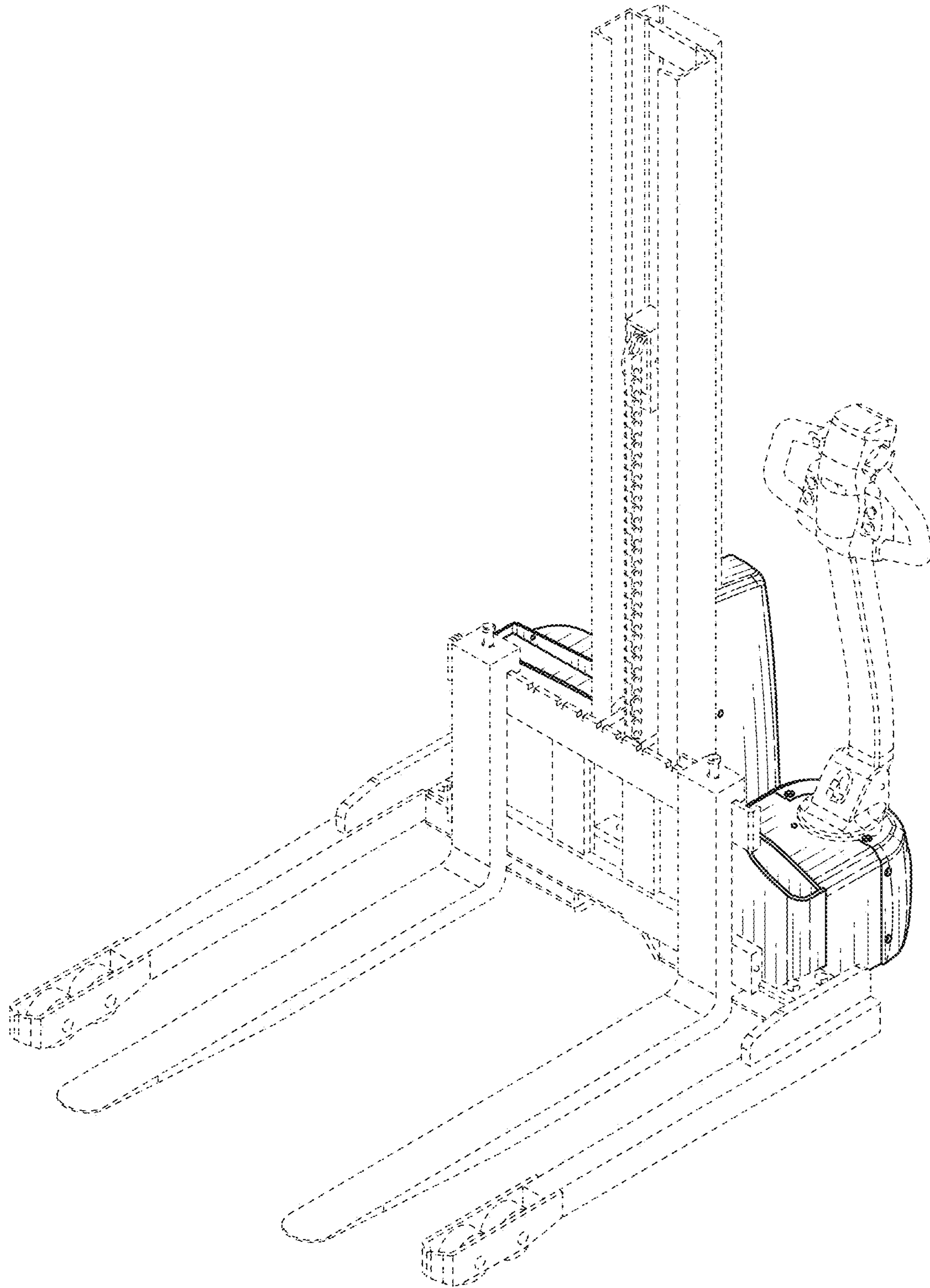


FIG. 4

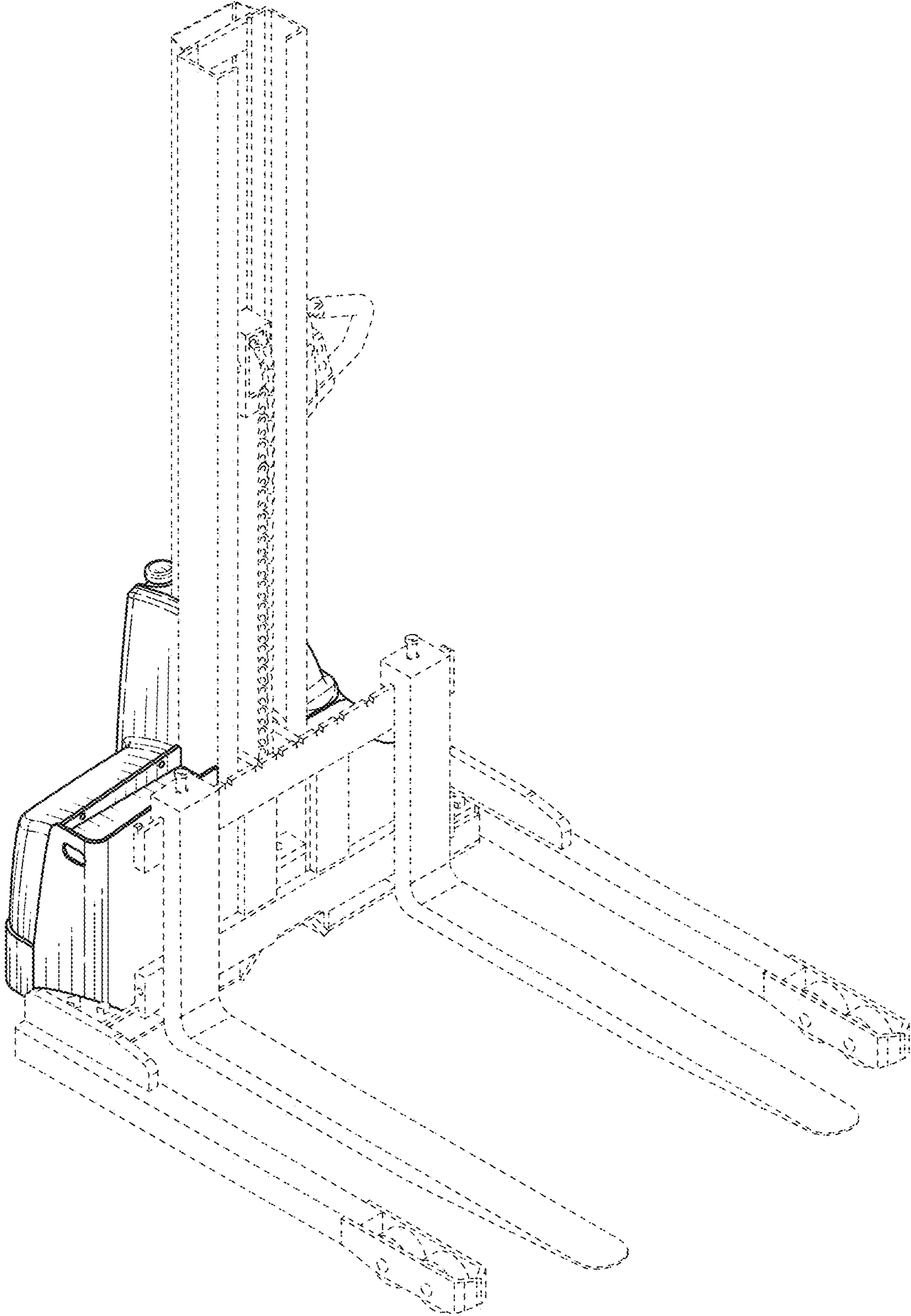


FIG. 5

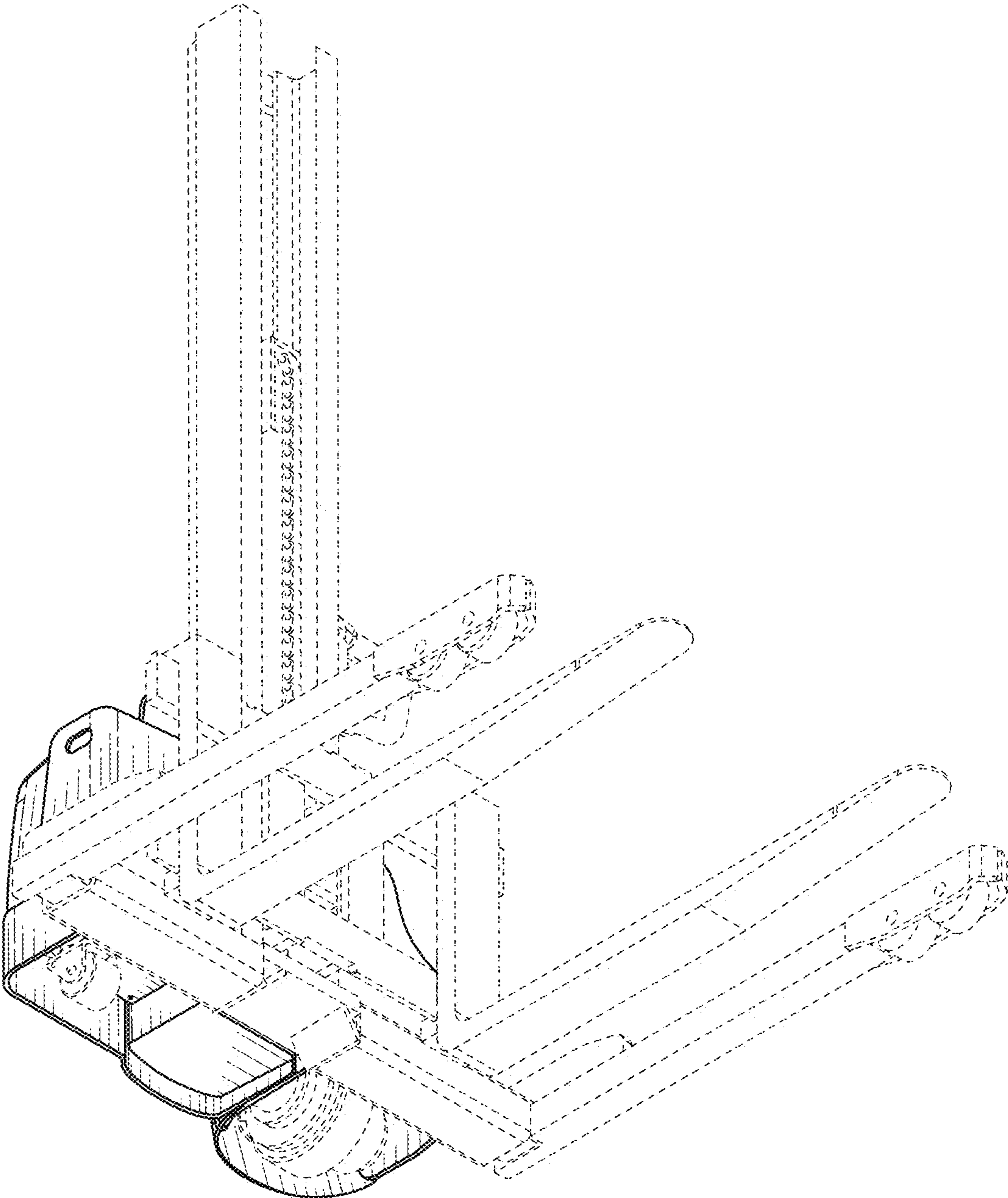


FIG. 6

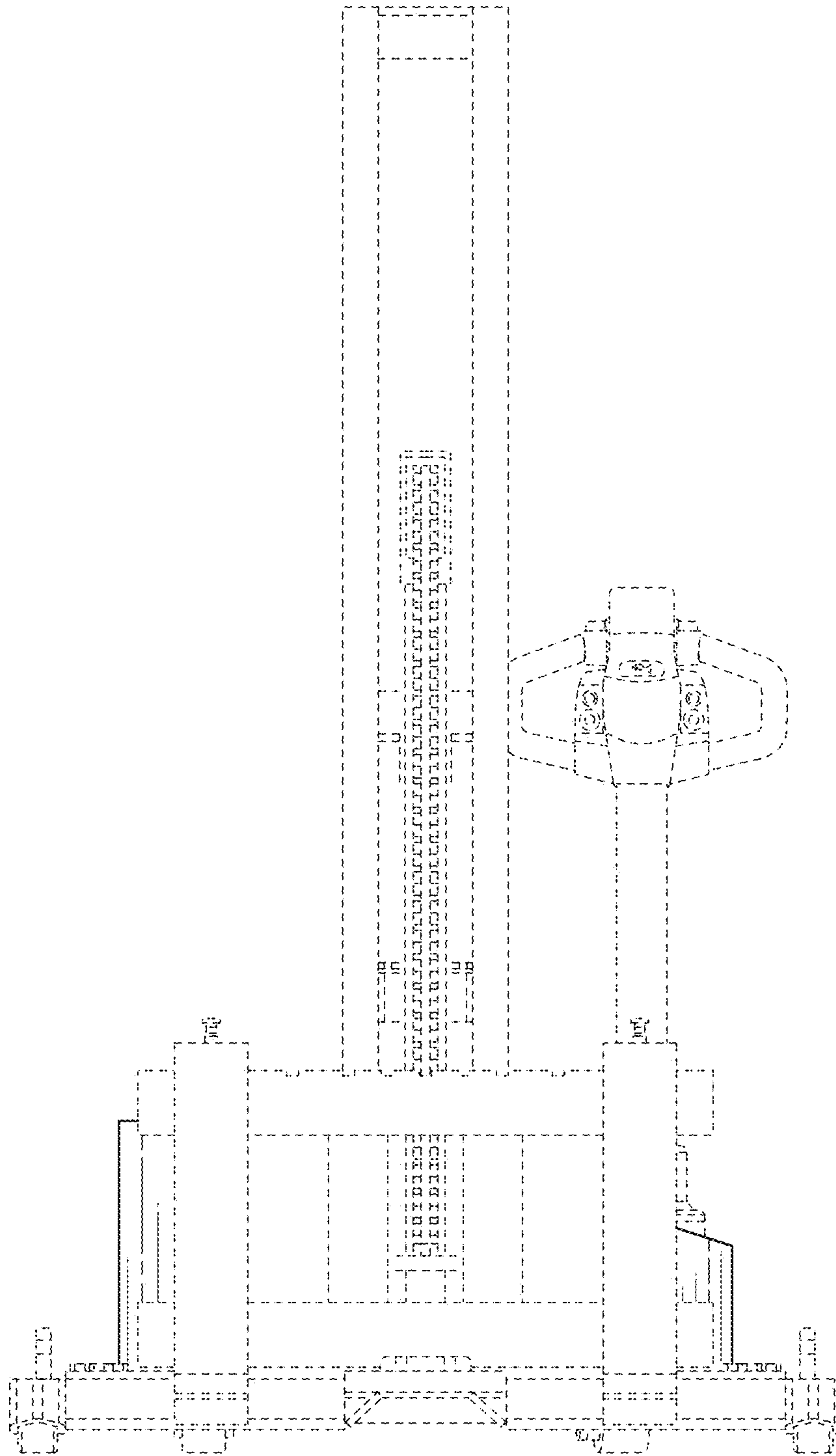


FIG. 7

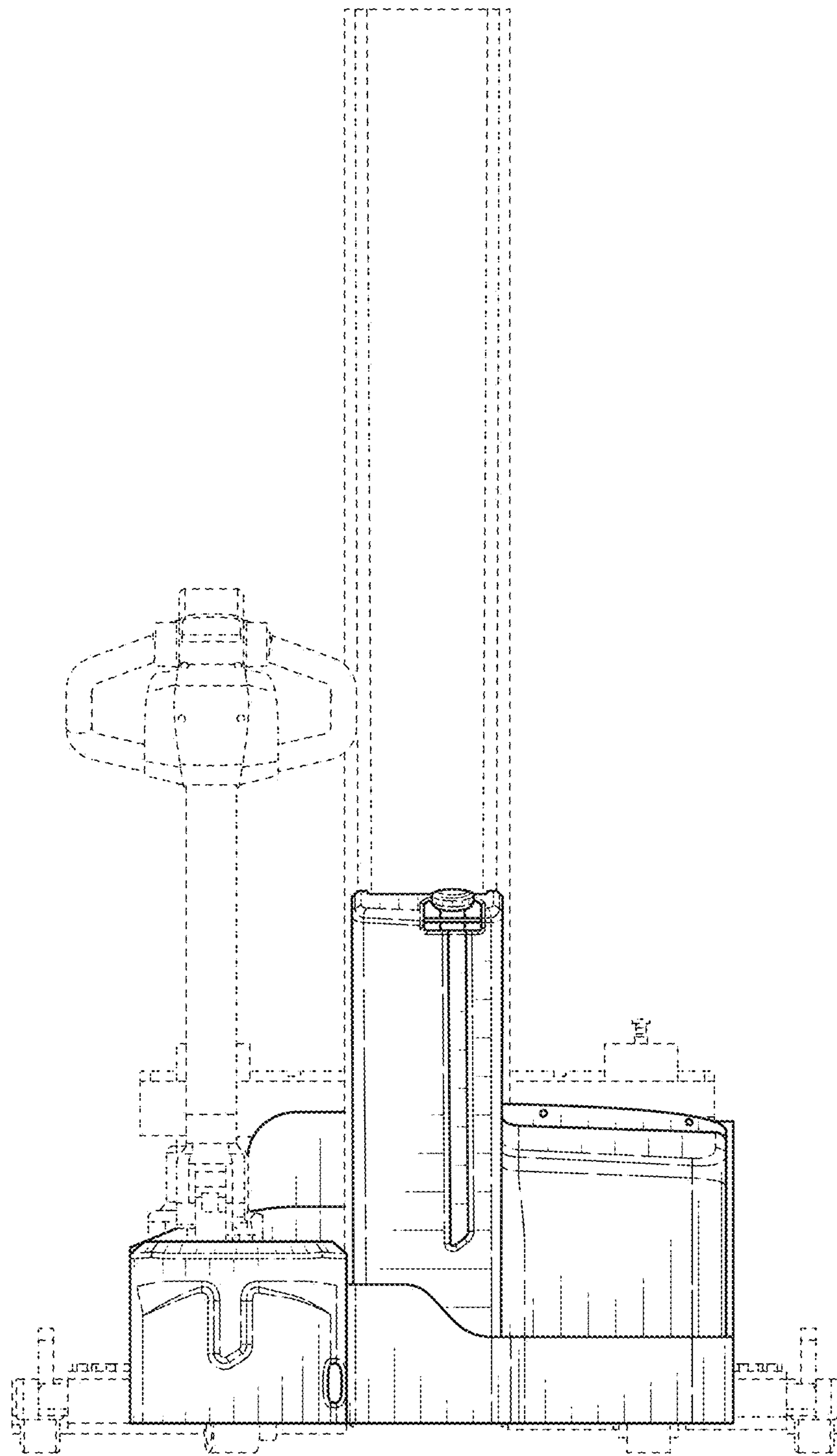


FIG. 8

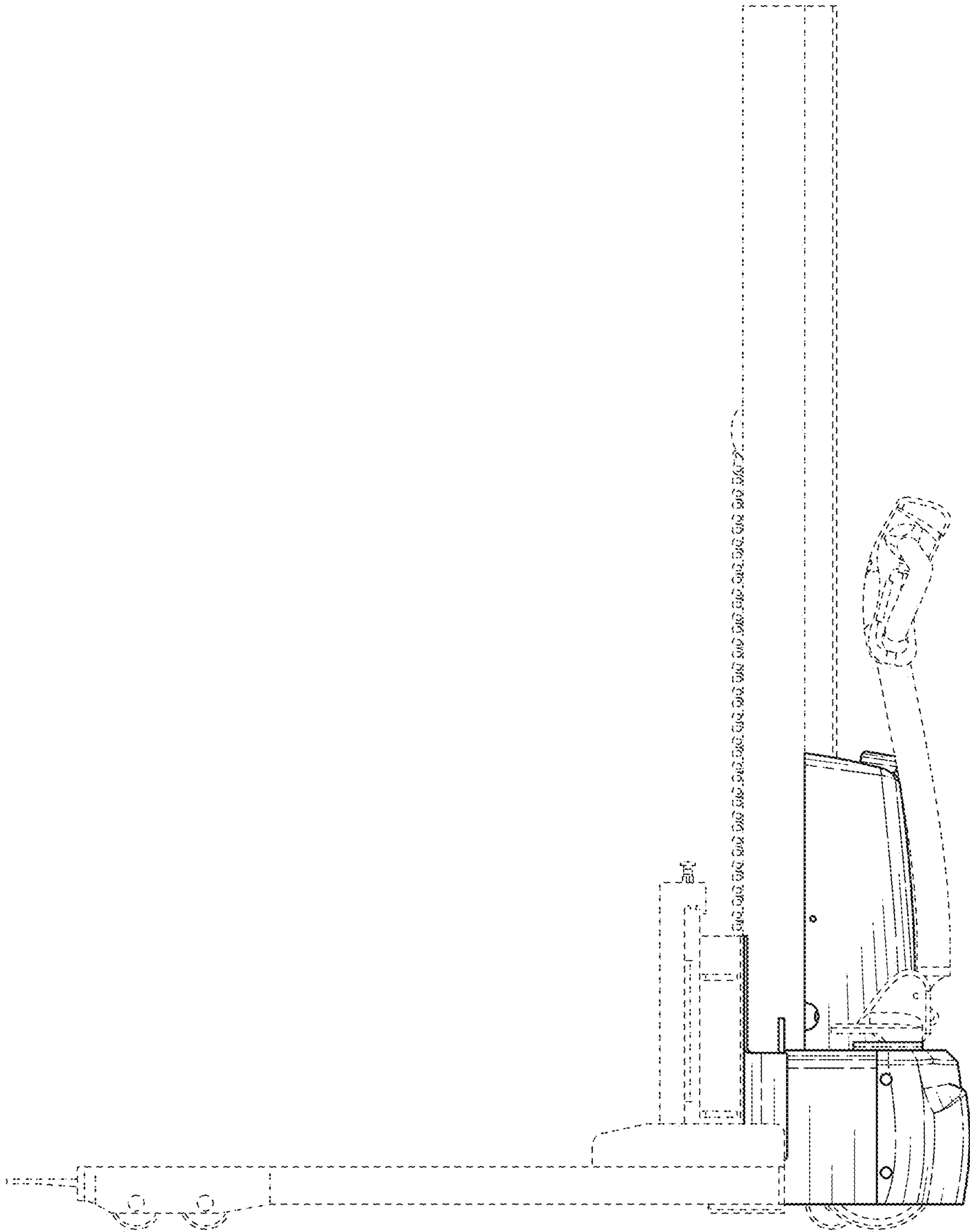


FIG. 9

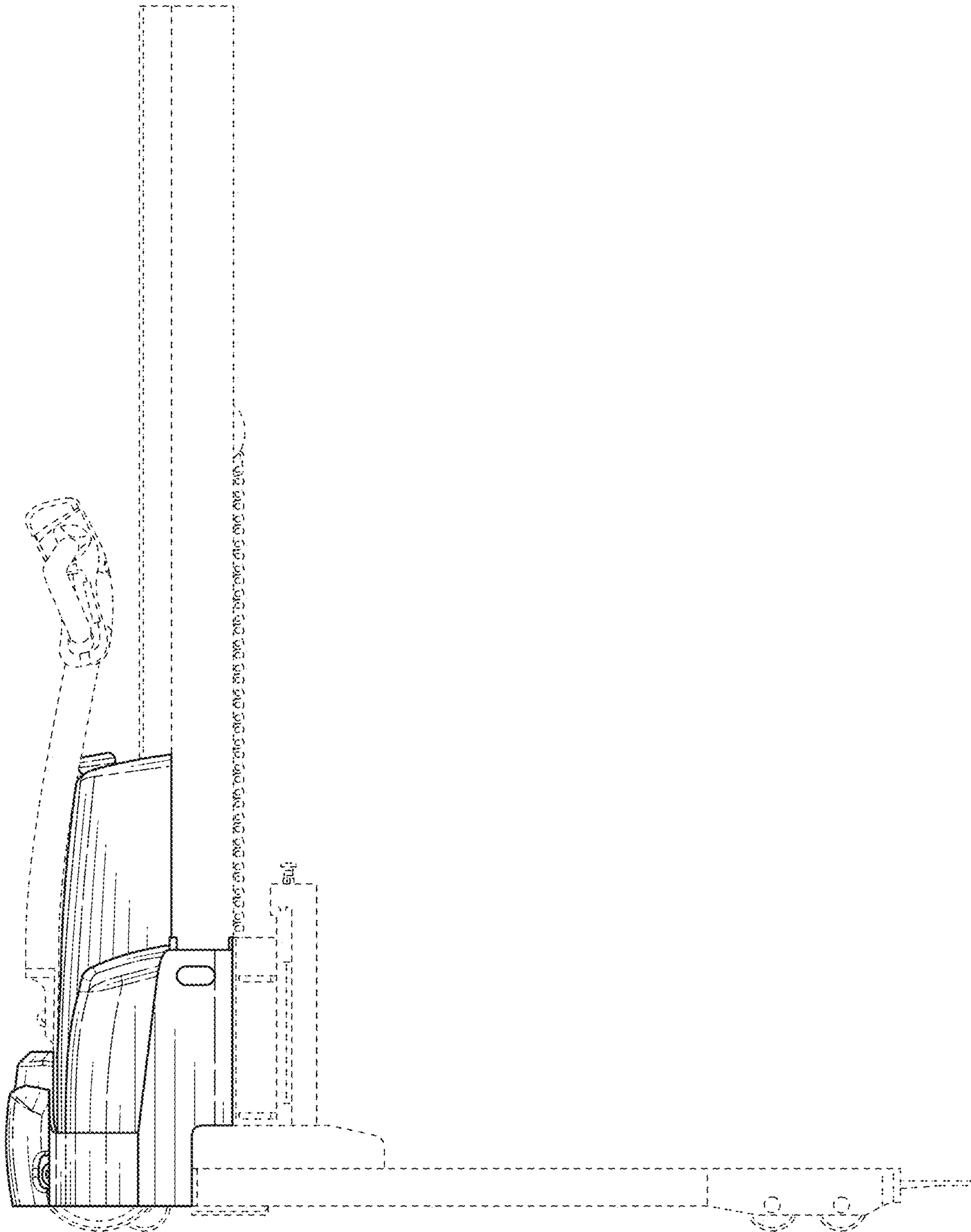


FIG. 10

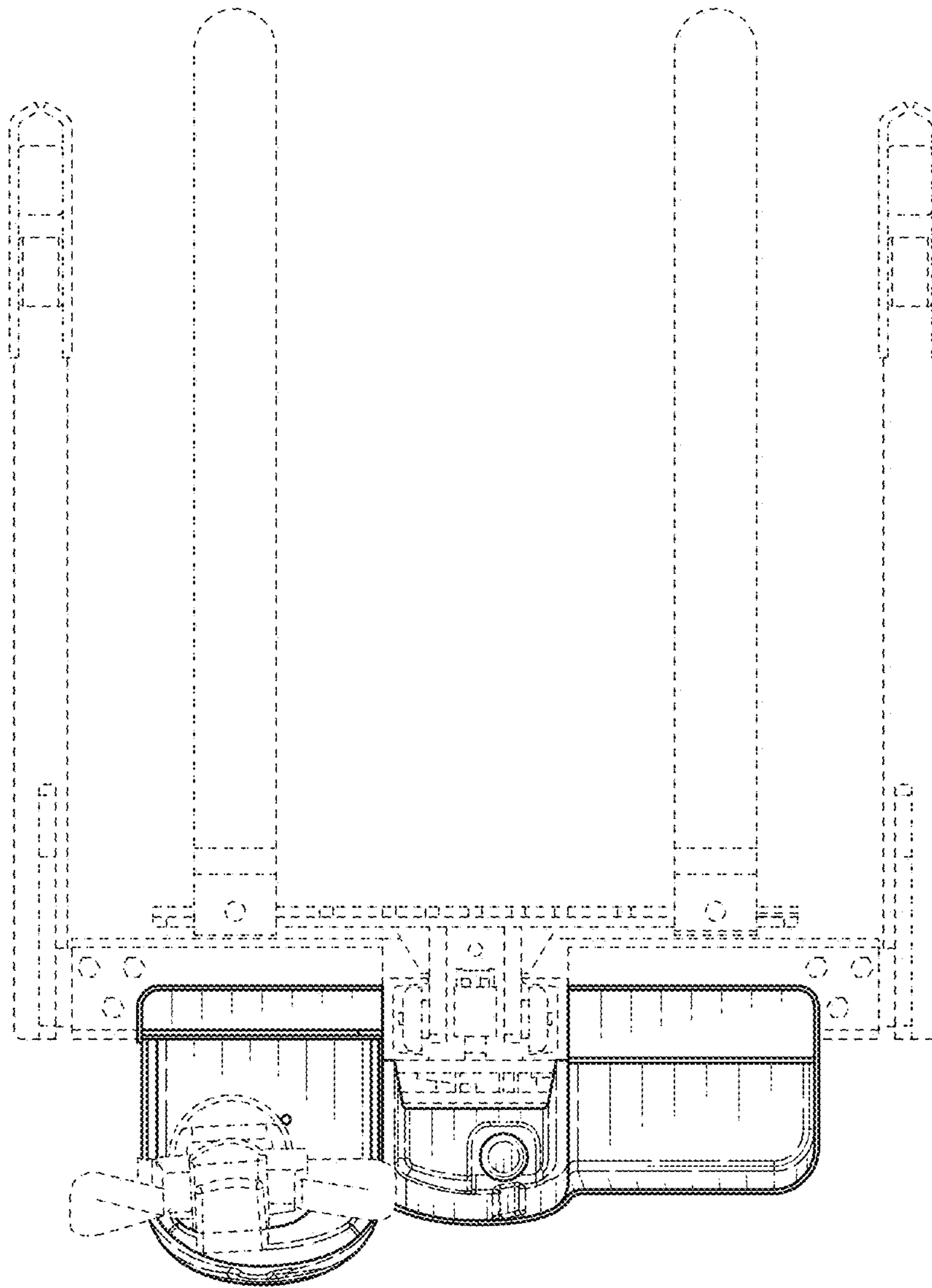


FIG. 11

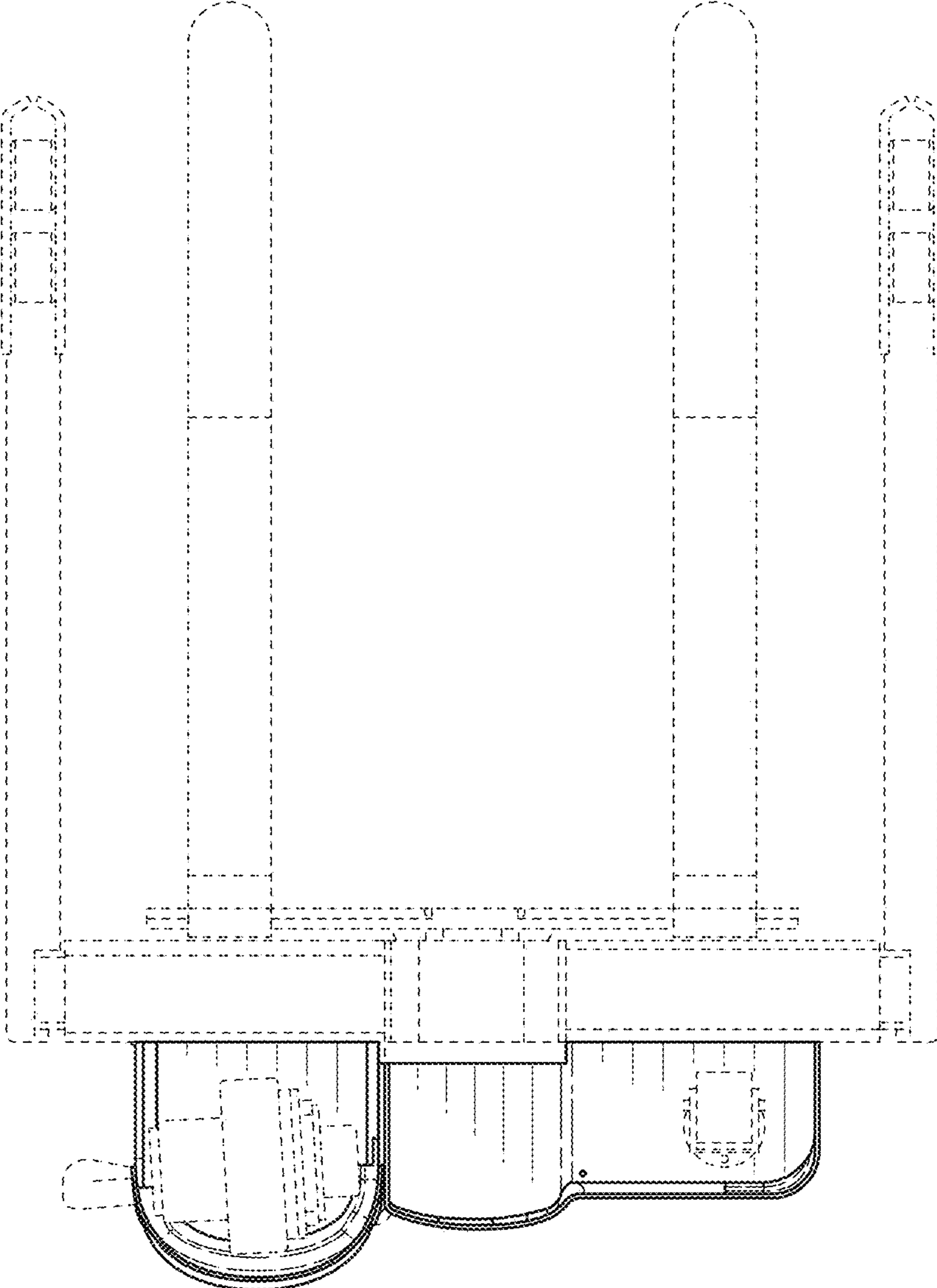


FIG. 12