

US00D901818S

(12) **United States Design Patent** (10) **Patent No.:** **US D901,818 S**
Fox (45) **Date of Patent:** **** Nov. 10, 2020**

(54) **JACK STAND**

(71) Applicant: **Vis, LLC**, Travelers Rest, SC (US)

(72) Inventor: **Robert Fox**, Greenville, MS (US)

(73) Assignee: **VIS, LLC**, Travelers Rest, SC (US)

(**) Term: **15 Years**

(21) Appl. No.: **29/673,415**

(22) Filed: **Dec. 14, 2018**

(51) **LOC (12) Cl.** **12-05**

(52) **U.S. Cl.**
USPC **D34/31**

(58) **Field of Classification Search**
USPC D34/26, 27, 28, 29, 30, 31, 32, 33, 34,
D34/35, 36, 37, 38, 39; D8/44
CPC ... B66F 5/00; B66F 13/00; B66F 3/00; F16M
11/00

See application file for complete search history.

(56) **References Cited**

U.S. PATENT DOCUMENTS

2,439,854	A *	4/1948	Lipski	F16M 11/24 248/352
4,042,202	A *	8/1977	Molinari	B66F 13/00 248/352
D396,926	S *	8/1998	Underhill	D34/31
D456,975	S	5/2002	Ji		
6,443,413	B1	9/2002	Hawkins et al.		
D467,699	S	12/2002	King		
6,691,983	B2	2/2004	Arzouman		
D513,819	S *	1/2006	Ji	D34/31
7,147,211	B2	12/2006	Porter		
7,168,685	B2	1/2007	Miner		
8,550,434	B1	10/2013	Hanlon		
8,585,018	B2	11/2013	Seber et al.		
D732,787	S *	6/2015	Chen	D34/31
9,114,966	B2	8/2015	Arzouman		
9,239,126	B2	1/2016	Adamson et al.		

9,273,818	B2	3/2016	Walton		
9,494,275	B2	11/2016	Crump		
D776,394	S *	1/2017	Crump	D34/31
2007/0200102	A1 *	8/2007	Hernandez, Jr.	B66F 3/30 254/1
2015/0136931	A1 *	5/2015	Fearon	F16M 11/046 248/346.03

(Continued)

OTHER PUBLICATIONS

HD Jack Stand, announced Aug. 9, 2015 [online], [site visited Apr. 15, 2020]. Available from internet, URL: <https://www.homedepot.com/p/Big-Red-3-Ton-Aluminum-Jack-Stands-2-Pack-T43004L/100594518> (Year: 2015).*

(Continued)

Primary Examiner — George A Bugg
Assistant Examiner — Tamara L Hahn
(74) *Attorney, Agent, or Firm* — J. Bennett Mullinax, LLC

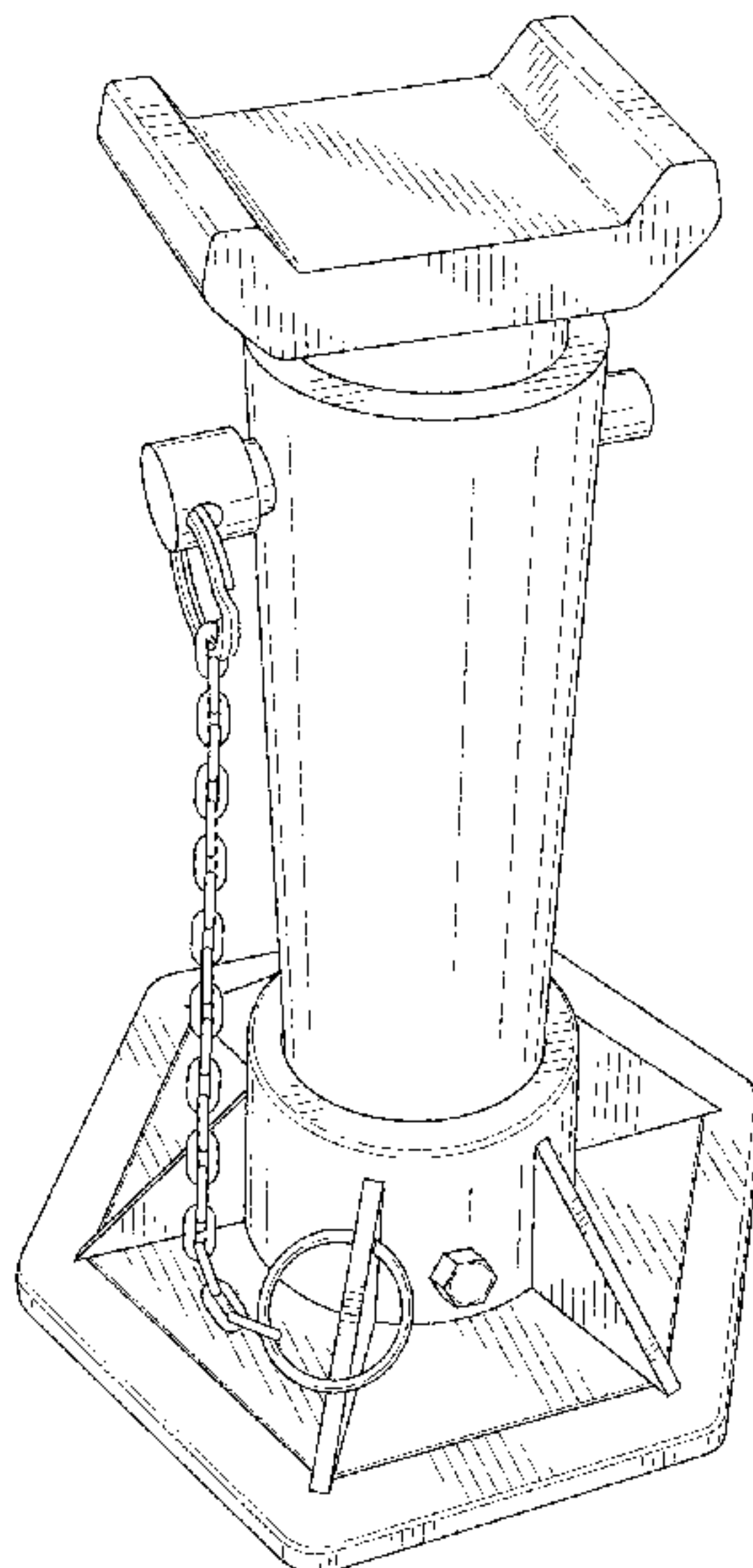
(57) **CLAIM**

The ornamental design for a jack stand, as shown and described.

DESCRIPTION

FIG. 1 is a perspective view of the jack stand as show in FIG. 1;
FIG. 2 is a front view of the jack stand as shown in FIG. 1;
FIG. 3 is a rear view of the jack stand as shown in FIG. 1;
FIG. 4 is a left side view of the jack stand as shown in FIG. 1;
FIG. 5 is a right side view of the jack stand as shown in FIG. 1;
FIG. 6 is a top view of the jack stand as shown in FIG. 1;
and,
FIG. 7 is a bottom view of the jack stand as shown in FIG. 1.

1 Claim, 6 Drawing Sheets



(56)

References Cited

U.S. PATENT DOCUMENTS

2015/0308612 A1* 10/2015 Chen F16M 11/18
248/352
2016/0223129 A1* 8/2016 Crump B60T 3/00
2019/0127192 A1* 5/2019 MacDonald B66F 3/00

OTHER PUBLICATIONS

ECS Jack Stand, announced Sep. 14, 2016 [online], [site visited Apr. 15, 2020]. Available from internet, URL: <https://www.ecstuning.com/b-schwaben-parts/aluminum-3-ton-jack-stands-pair/005945sch01a/> (Year: 2016).*

* cited by examiner

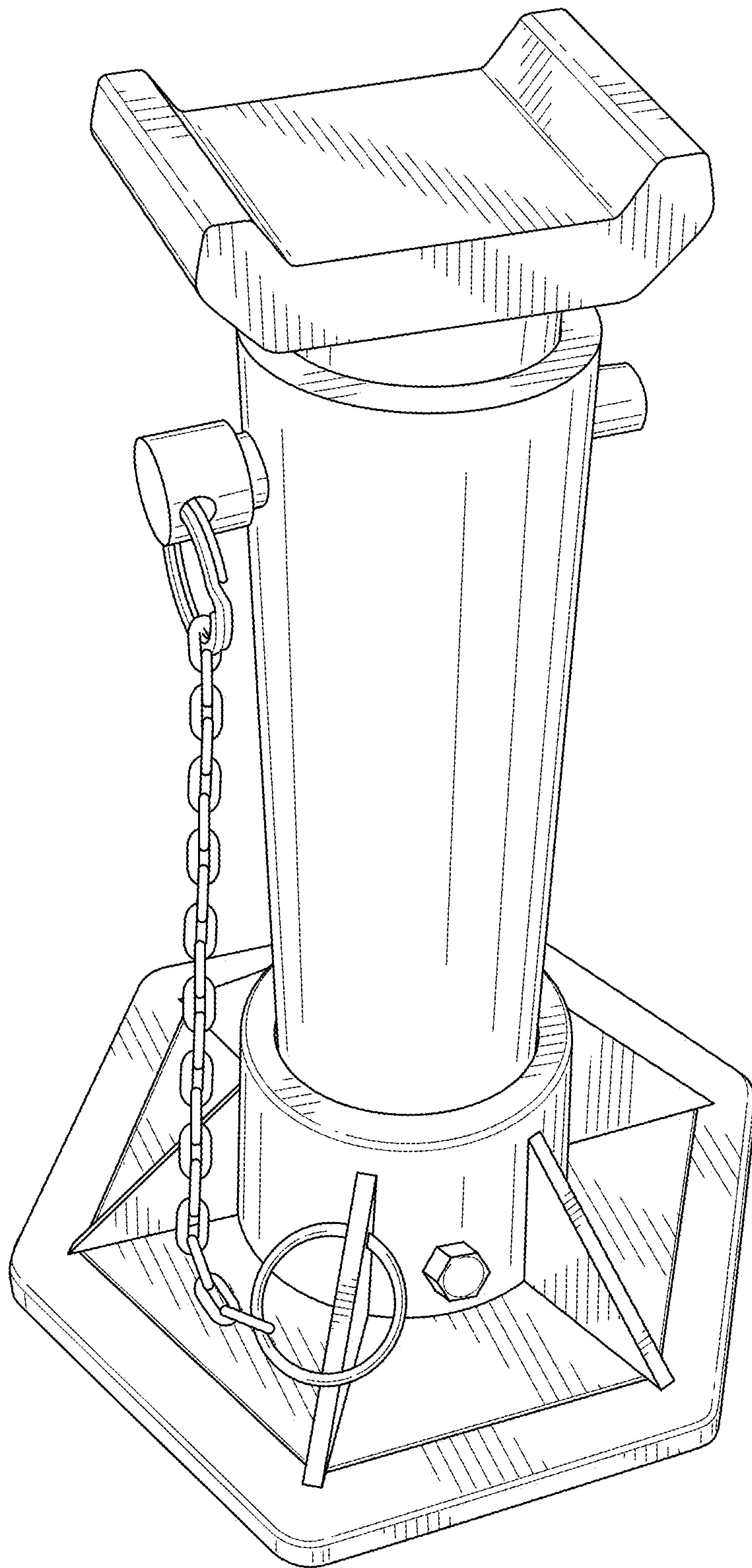


FIG. 1

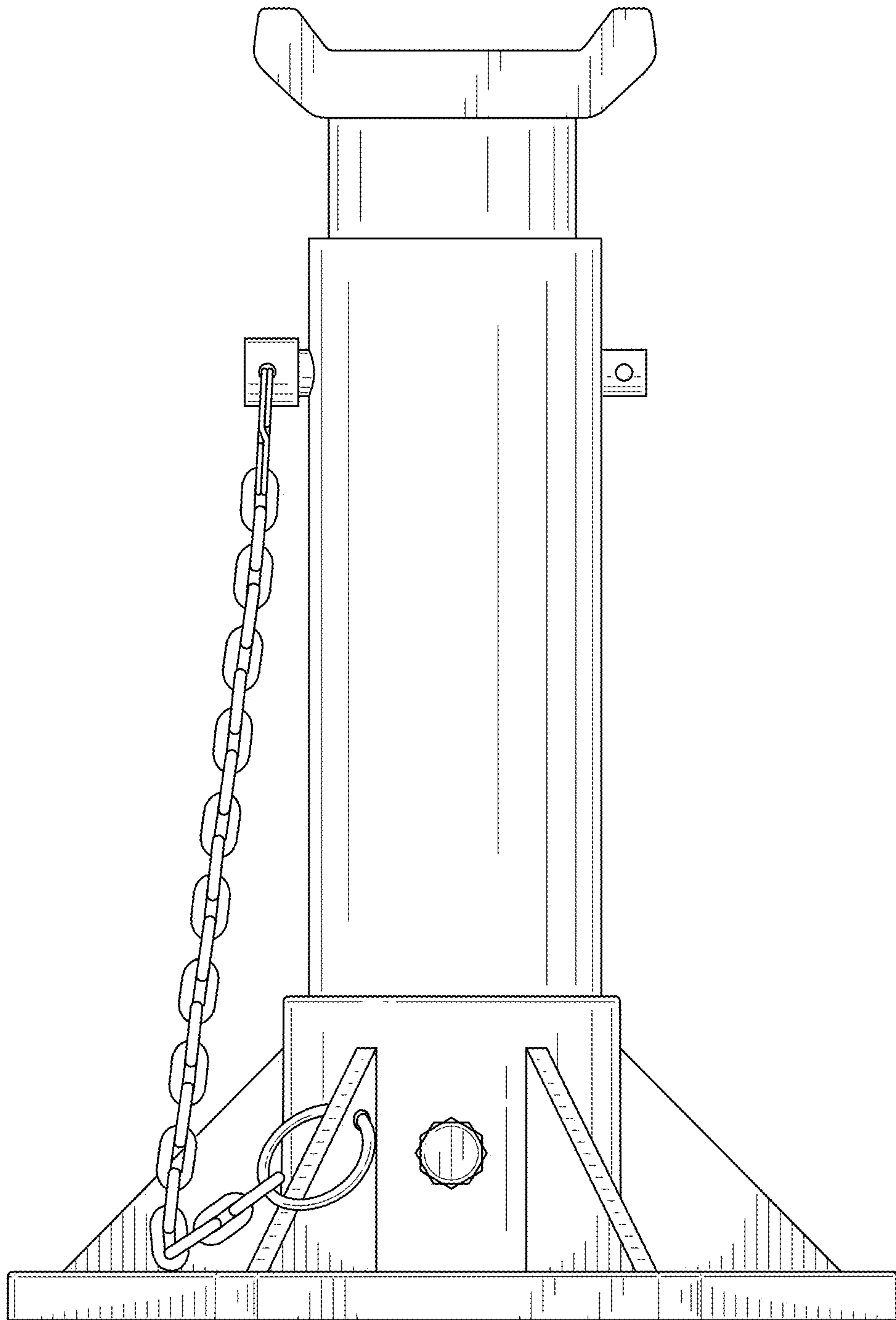


FIG. 2

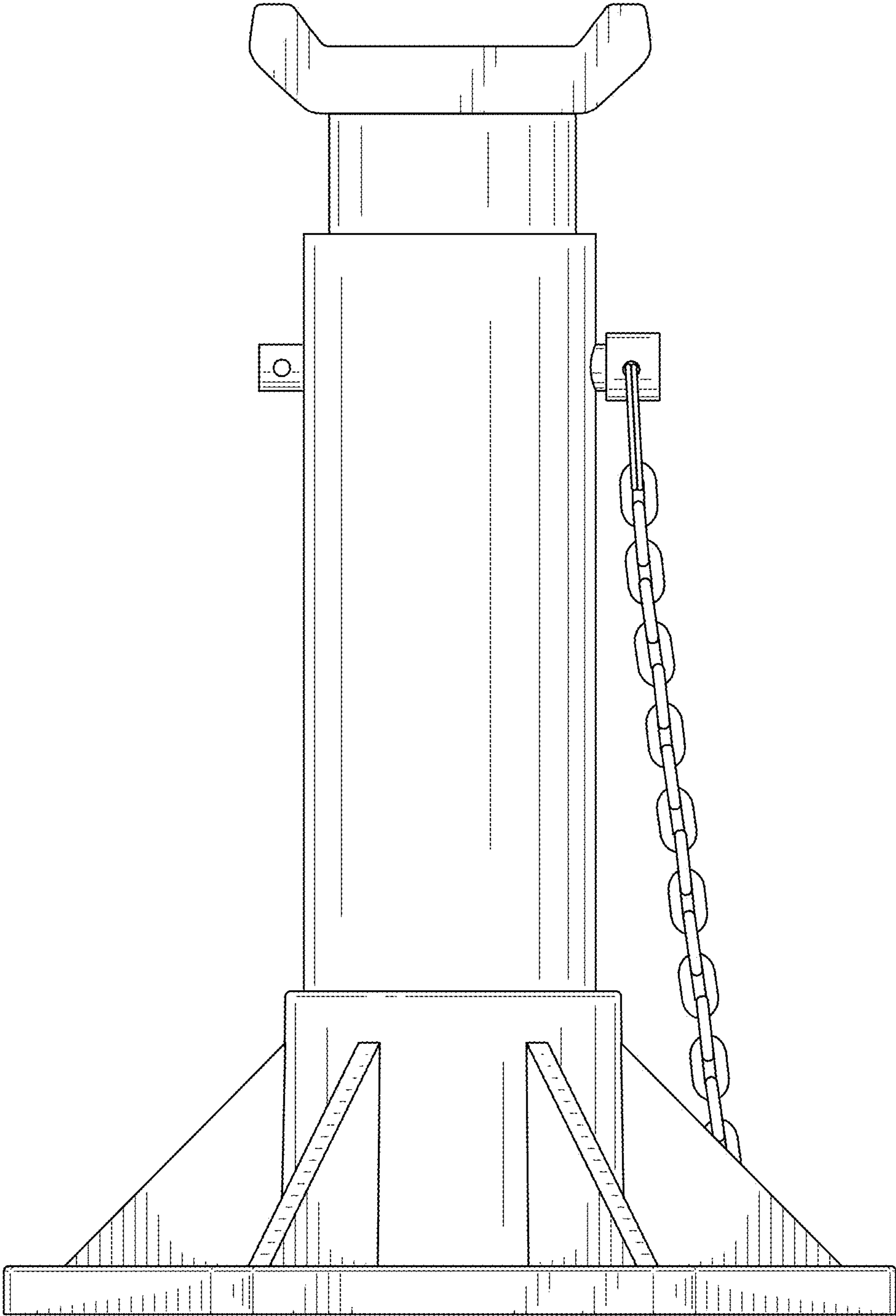


FIG. 3

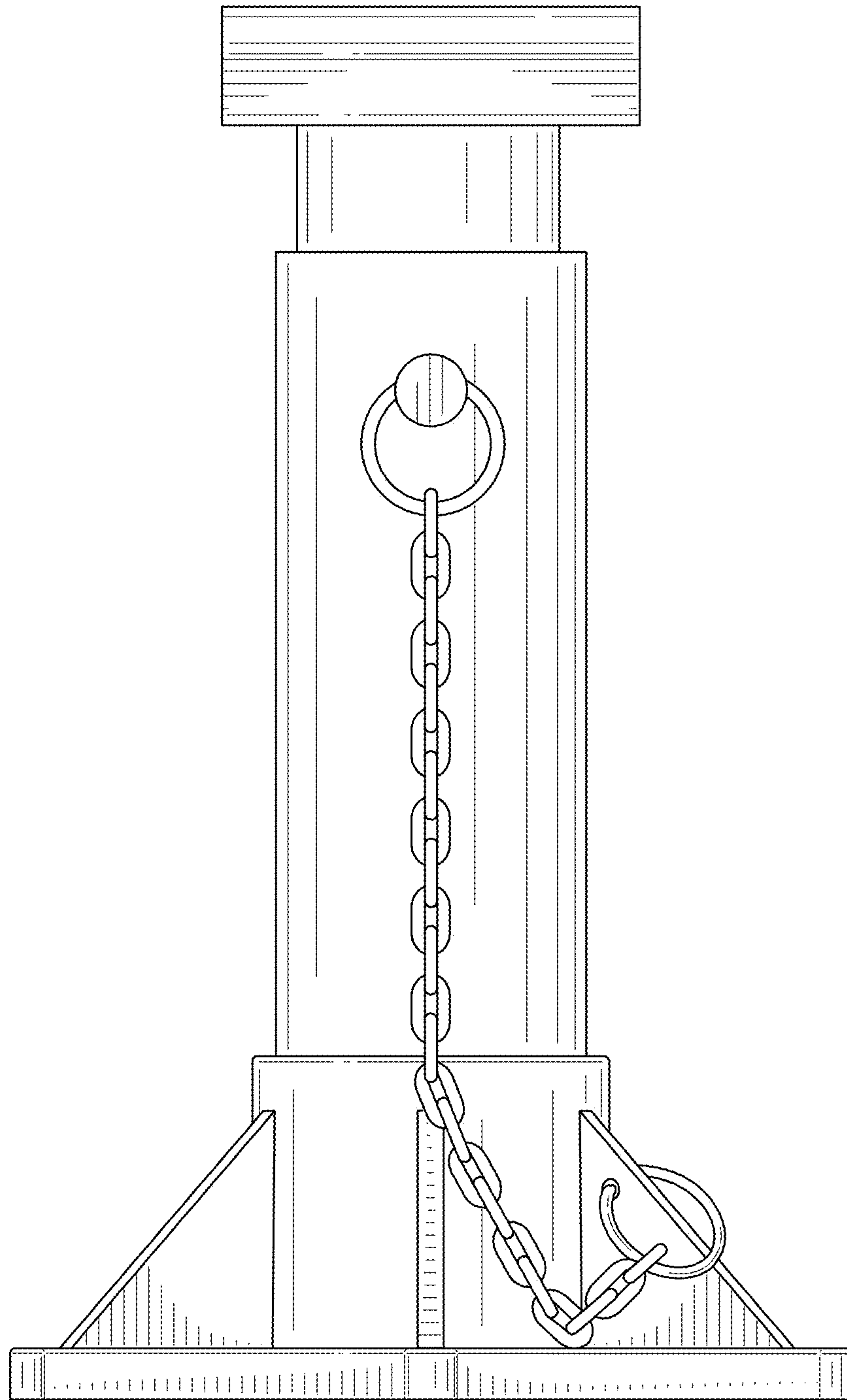


FIG. 4

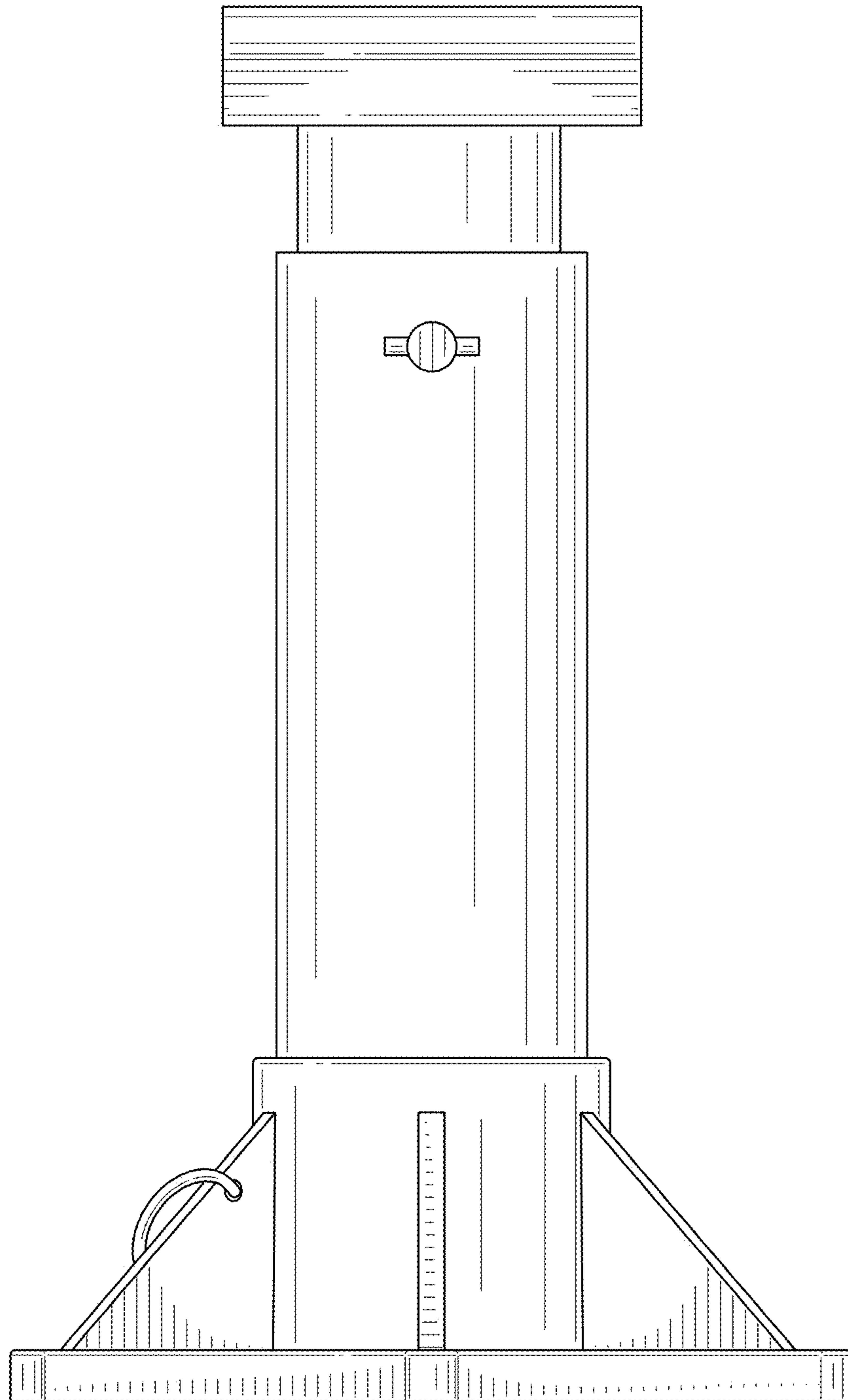


FIG. 5

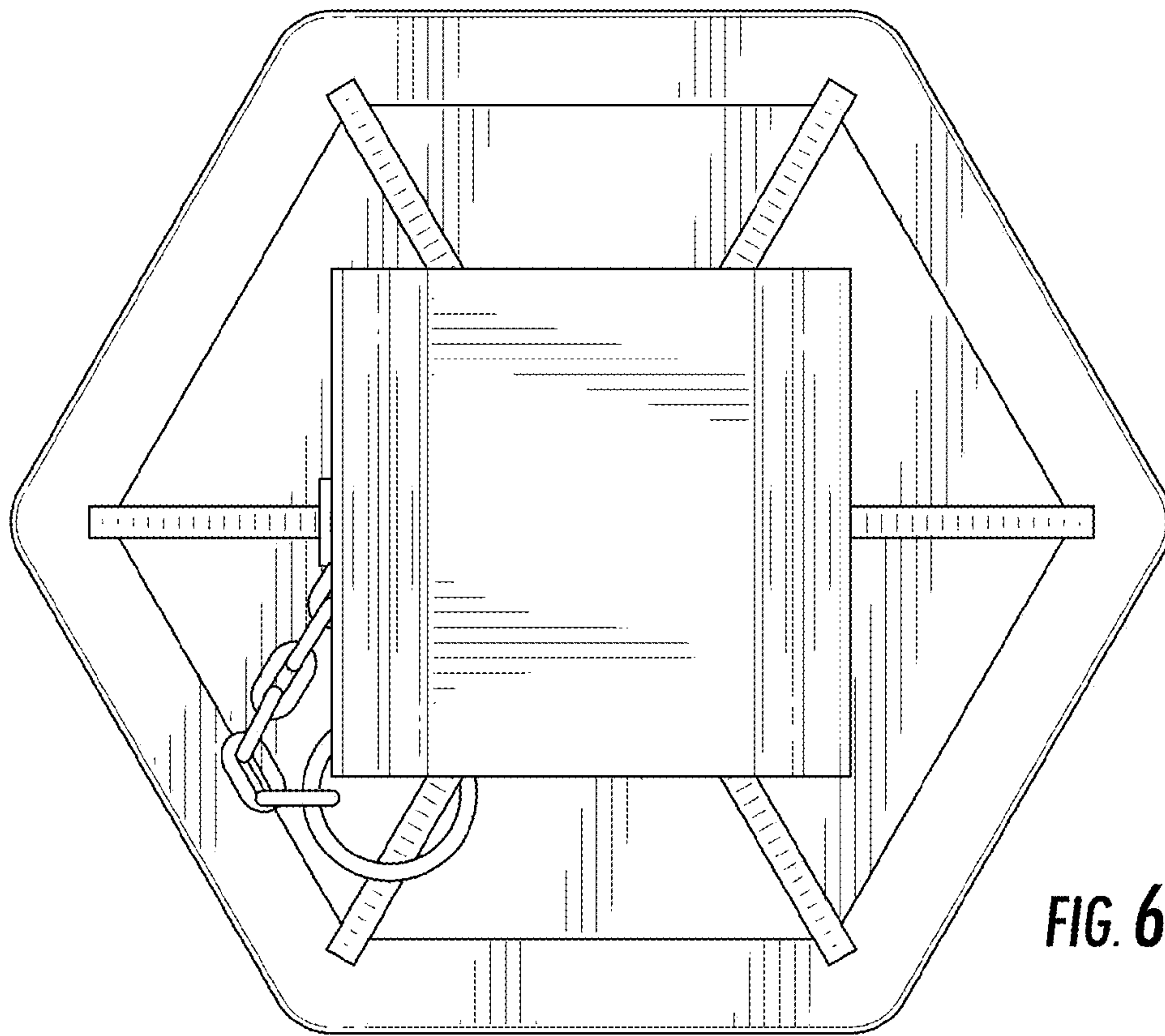


FIG. 6

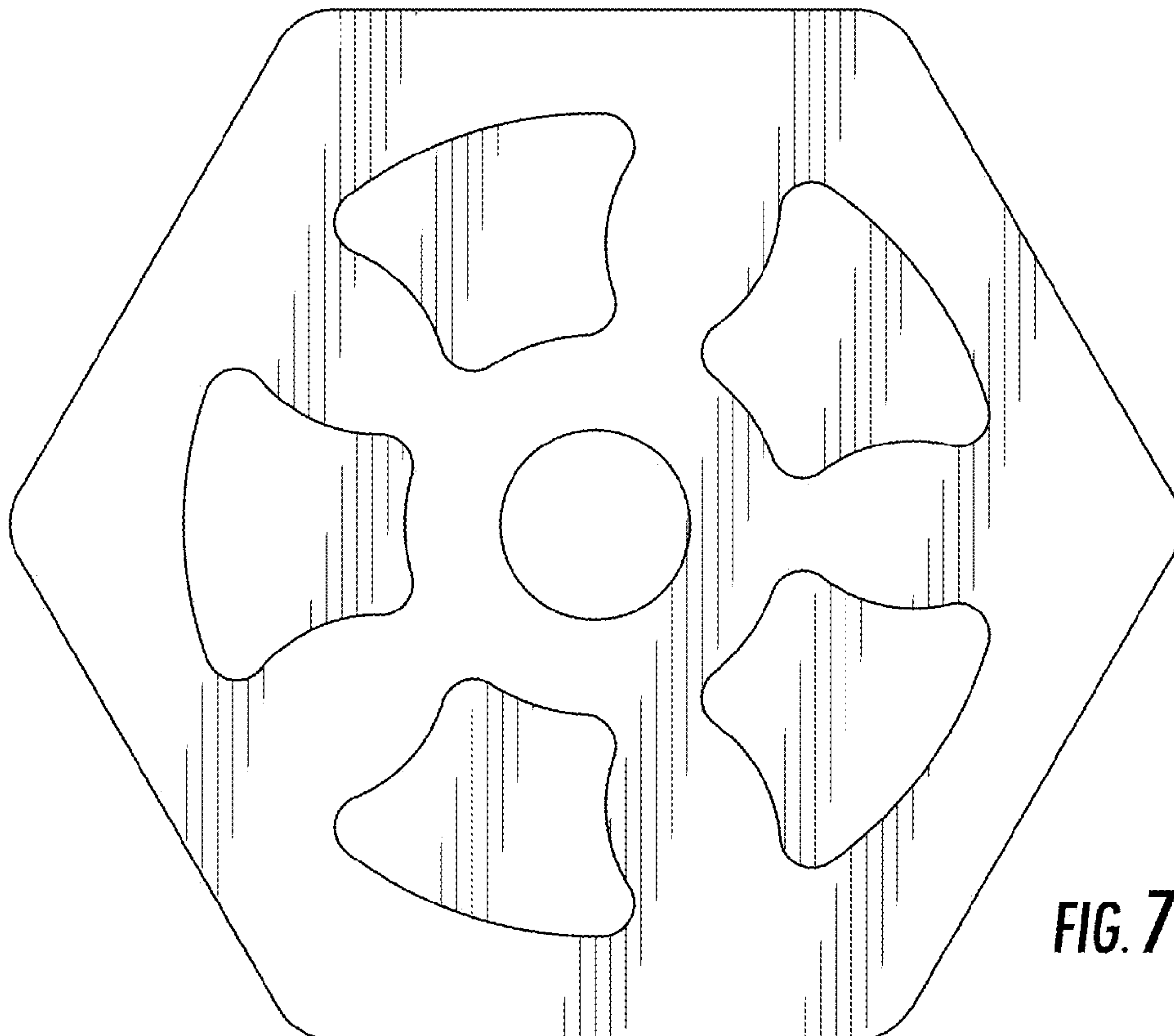


FIG. 7