



US00D901816S

(12) **United States Design Patent** (10) **Patent No.:** **US D901,816 S**
Liu (45) **Date of Patent:** **** Nov. 10, 2020**

(54) **FOLDABLE CART**

- (71) Applicant: **GUANGDONG WIREKING COMMERCIAL CO., LTD.**, Foshan (CN)
- (72) Inventor: **Nengwen Liu**, Foshan (CN)
- (73) Assignee: **GUANGDONG WIREKING COMMERCIALS CO., LTD.**, Foshan (CN)
- (**) Term: **15 Years**
- (21) Appl. No.: **29/692,307**
- (22) Filed: **May 24, 2019**

(30) **Foreign Application Priority Data**

Dec. 18, 2018 (CN) 2018 3 0736879

(51) **LOC (12) Cl.** **12-02**

(52) **U.S. Cl.**
USPC **D34/21**

(58) **Field of Classification Search**
USPC D34/12, 14, 17, 21
CPC A61G 12/001; B25H 3/06; B25H 3/021;
B25H 3/028; B25H 3/00; B62B 3/00;
B62B 3/002; B62B 3/005; B62B
2501/067

See application file for complete search history.

(56) **References Cited**

U.S. PATENT DOCUMENTS

- D207,308 S * 4/1967 Bell D34/21
- D325,482 S * 4/1992 Schwartz D24/185
- D400,334 S * 10/1998 Hawkins D34/21
- D436,239 S * 1/2001 Walsh D34/17
- D487,605 S * 3/2004 Laverdiere D34/21
- 7,168,715 B1 * 1/2007 Friedman B62B 3/006
280/33.991
- D748,359 S * 1/2016 Lustig D34/21
- D752,906 S * 4/2016 Gunderson D6/675.1
- D756,584 S * 5/2016 Dunford D34/12

(Continued)

OTHER PUBLICATIONS

Google search Aug. 25, 2020, 3Tier Rolling Cart, <https://www.containerstore.com/s/craft-hobby/dark-grey-3-tier-rolling-cart/1d?productId=11010198&theme=rolling%20utility%20carts&pos=1> (Year: 2020).*

Primary Examiner — Cynthia Ramirez

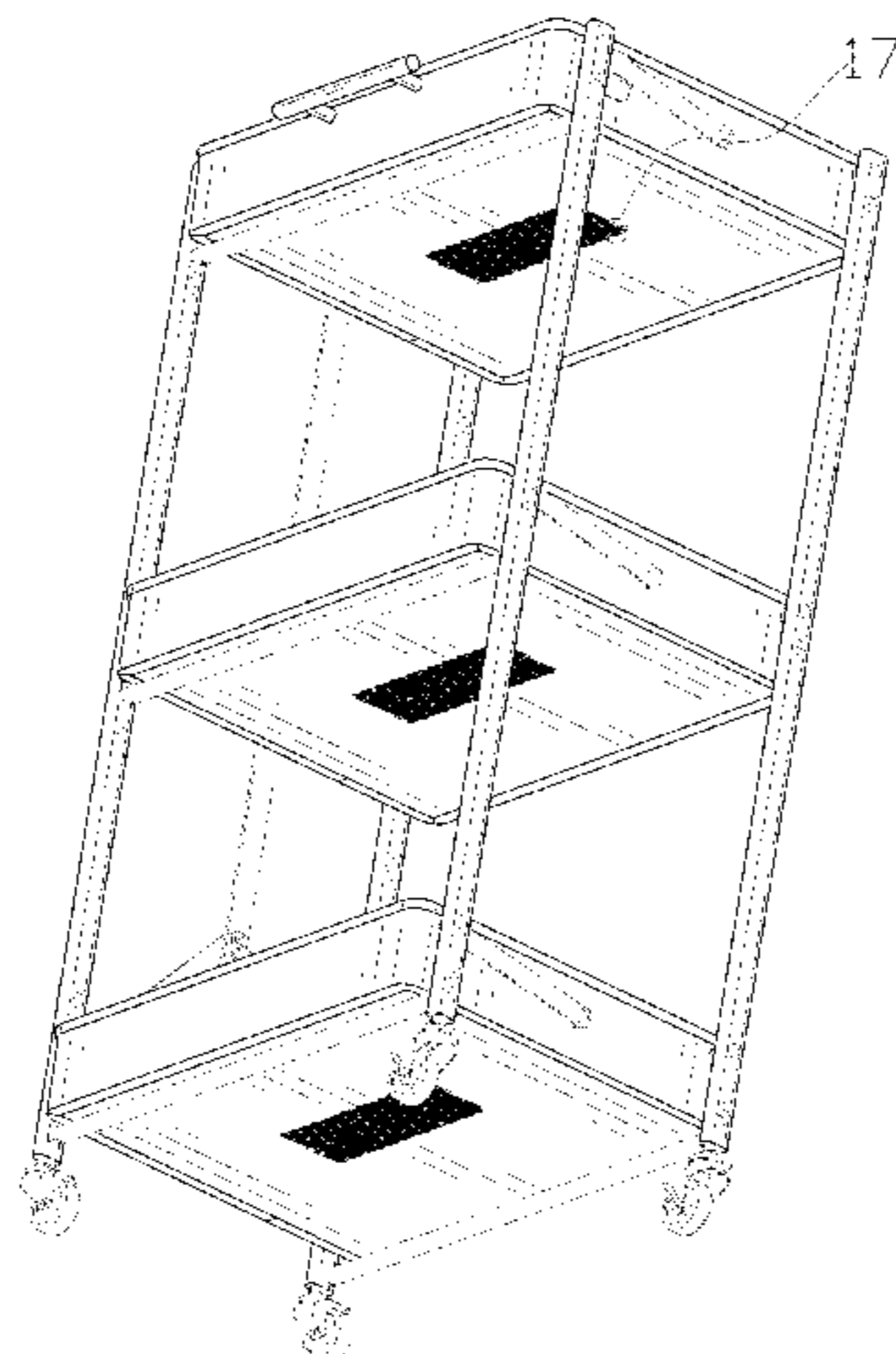
(57) **CLAIM**

The ornamental design for a foldable cart, as shown and described.

DESCRIPTION

FIG. 1 is a perspective view of a foldable cart showing my new design where the foldable cart is in an unfolded state; FIG. 2 is another perspective view thereof; FIG. 3 is a front elevational view thereof; FIG. 4 is a rear elevational view thereof; FIG. 5 is a left side elevational view thereof; FIG. 6 is a right side elevational view thereof; FIG. 7 is a top plan view thereof; FIG. 8 is a bottom plan view thereof; FIG. 9 is a perspective view of the foldable cart where the foldable cart is in a folded state; FIG. 10 is another perspective view thereof; FIG. 11 is a front elevational view thereof; FIG. 12 is a rear elevational view thereof; FIG. 13 is a left side elevational view thereof; FIG. 14 is a right side elevational view thereof; FIG. 15 is a top plan view thereof; FIG. 16 is a bottom plan view thereof; FIG. 17 is an enlarged view of portion 17 shown in FIG. 1; and, FIG. 18 is an enlarged view of portion 18 shown in FIG. 7. The broken lines in the drawings depict portions of the foldable cart that form no part of the claimed design.

1 Claim, 18 Drawing Sheets



(56)

References Cited

U.S. PATENT DOCUMENTS

D757,387	S	*	5/2016	Cao	D34/21
D831,390	S	*	10/2018	Li	D6/675.1
D832,549	S	*	10/2018	Cao	D34/21
D846,824	S	*	4/2019	Cao	D34/21
D846,825	S	*	4/2019	Cao	D34/21
D850,753	S	*	6/2019	Cao	D34/21
D852,448	S	*	6/2019	Hu	D34/12
D852,449	S	*	6/2019	Hu	D34/21
D858,928	S	*	9/2019	Cao	D34/21
2017/0215579	A1	*	8/2017	Cooper	A47B 47/0083
2020/0231197	A1	*	7/2020	Liu	A47B 57/36

* cited by examiner

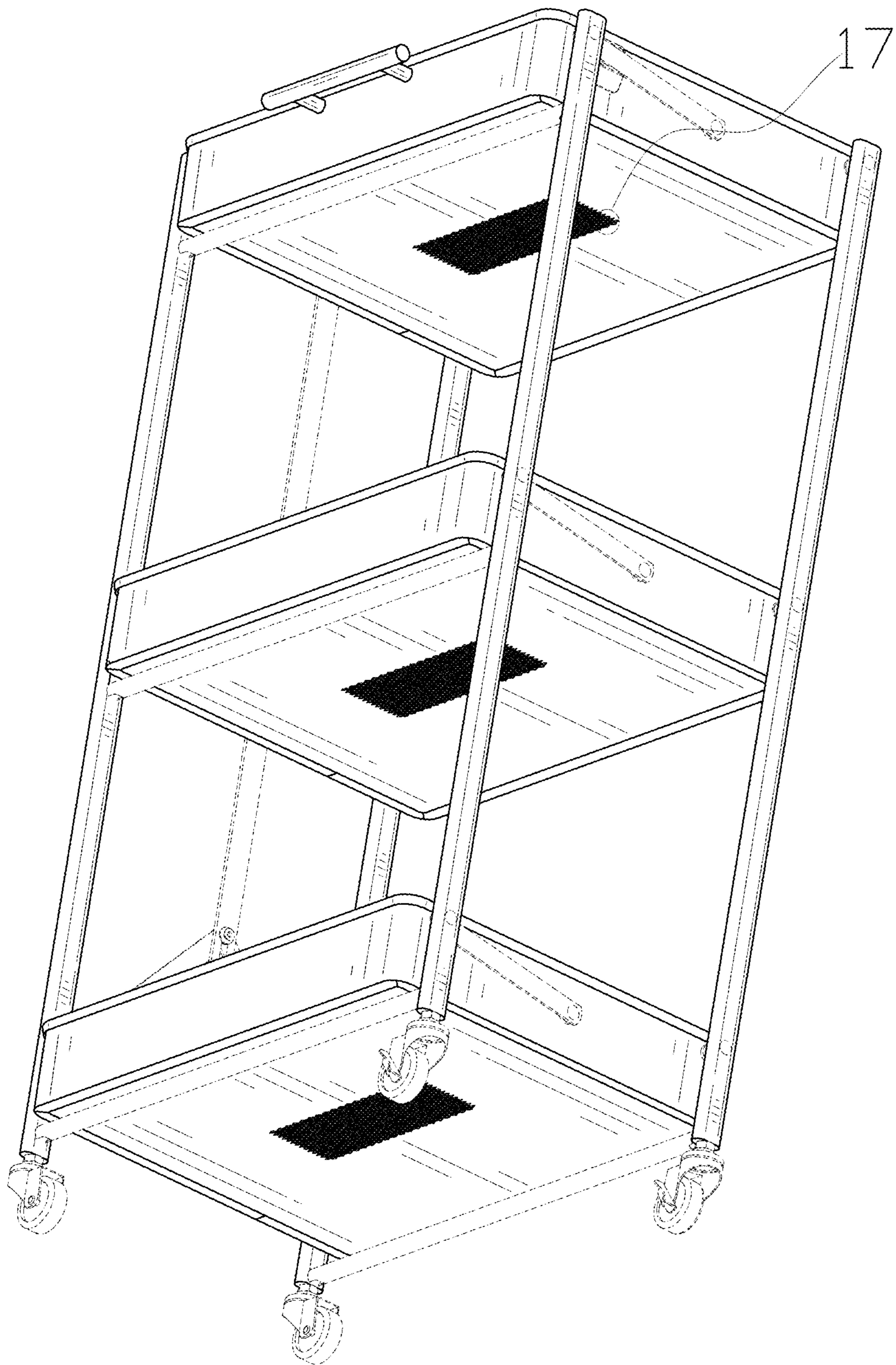


FIG. 1

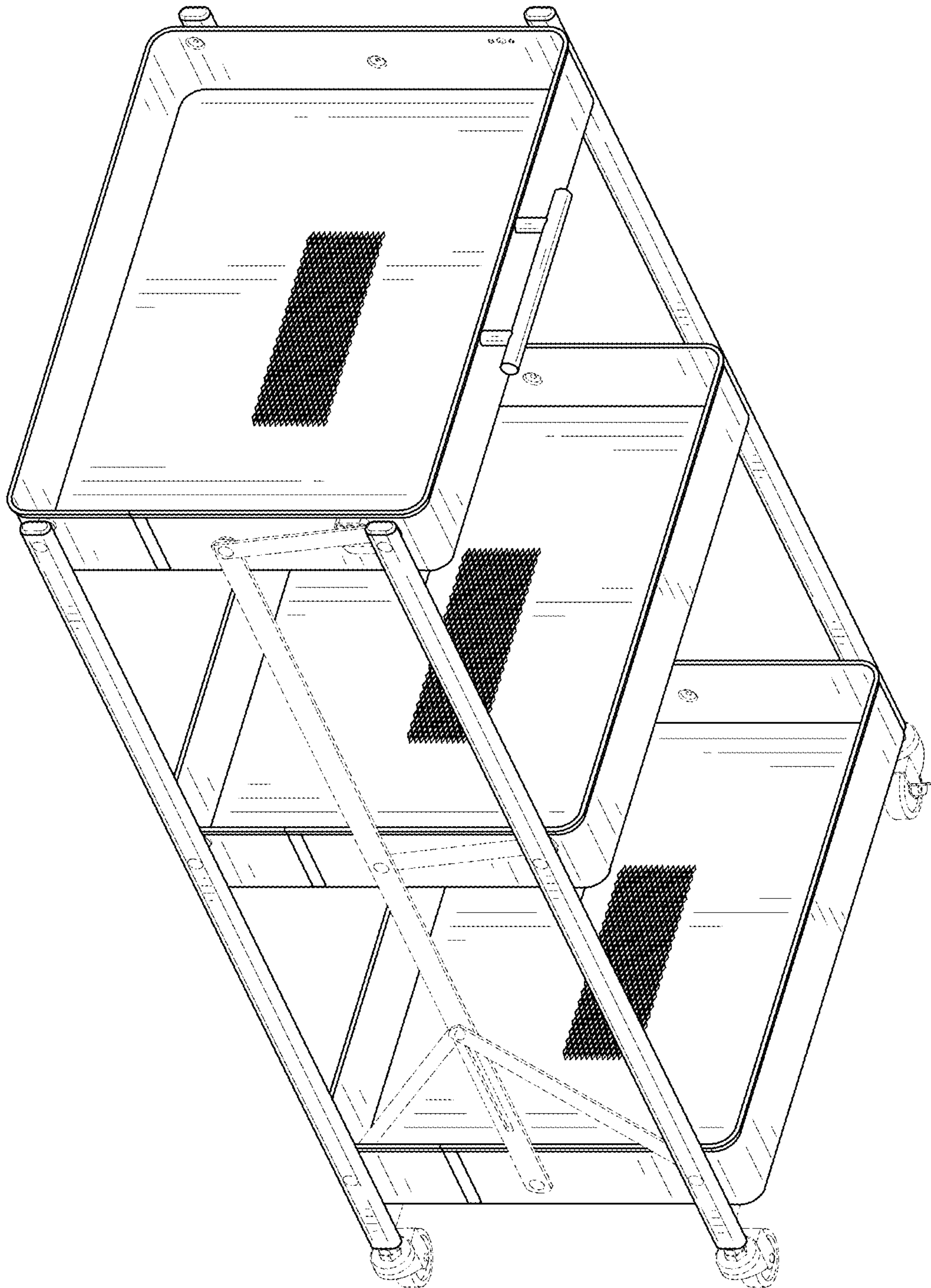


FIG. 2

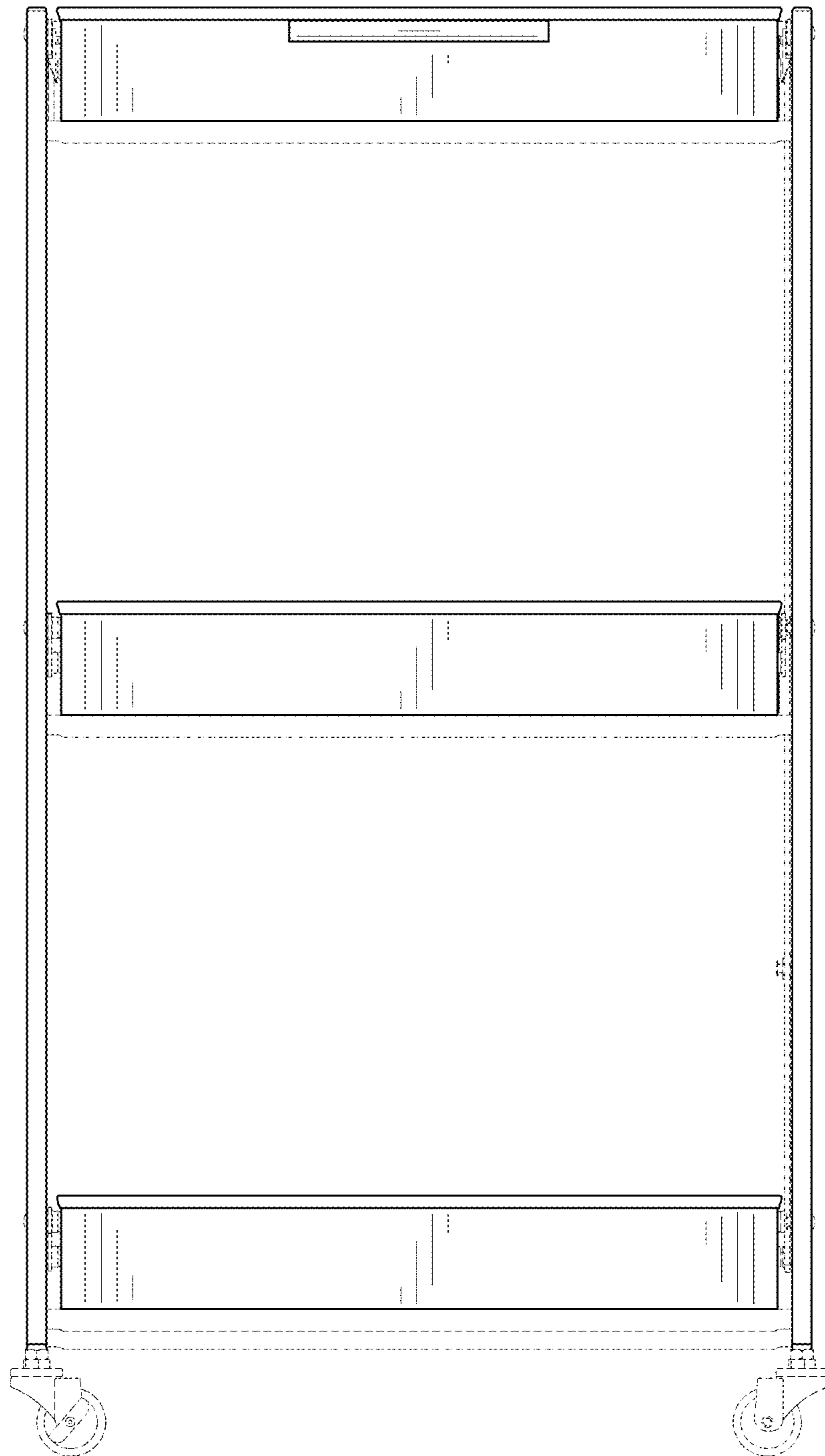


FIG. 3

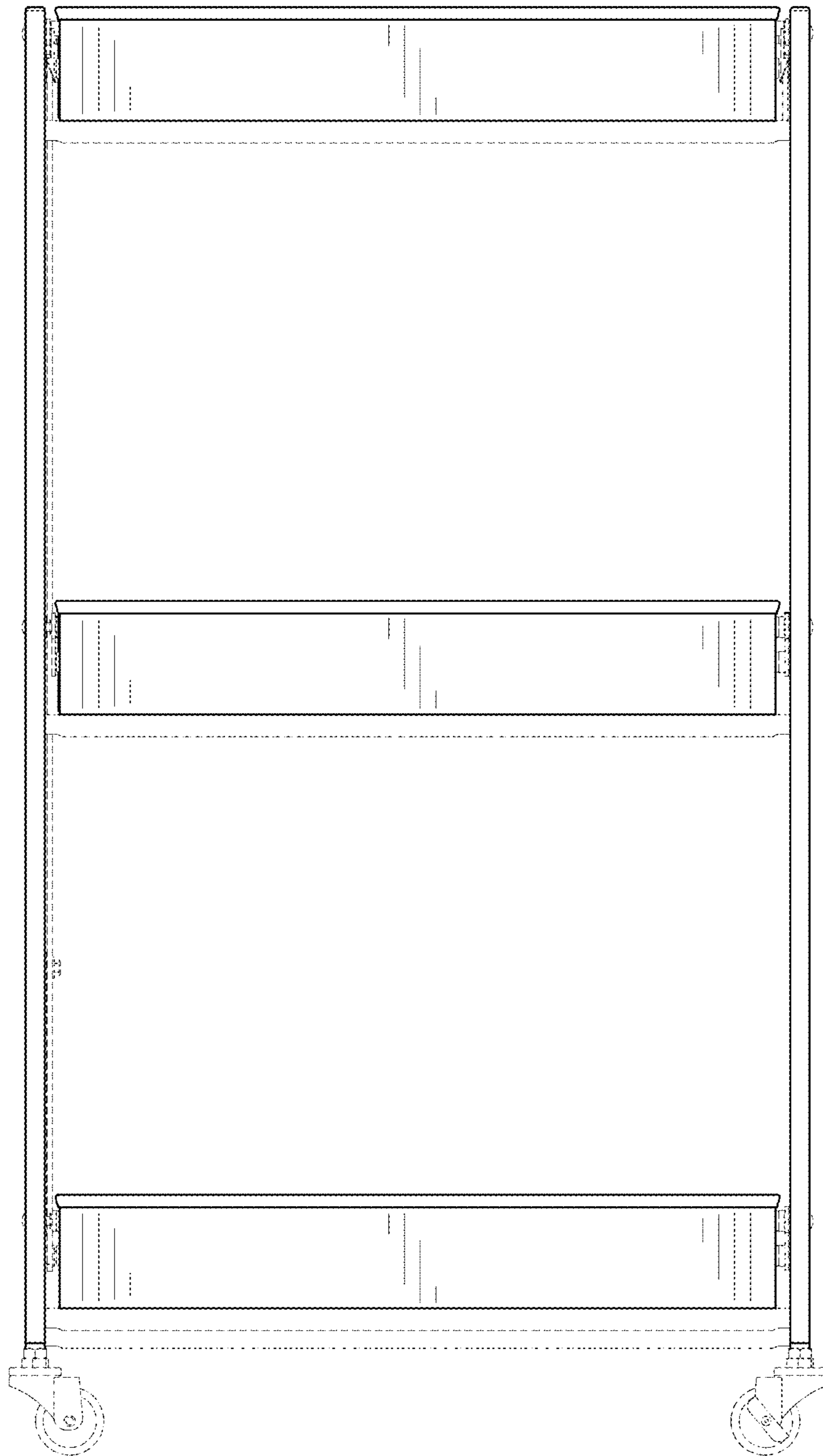


FIG. 4

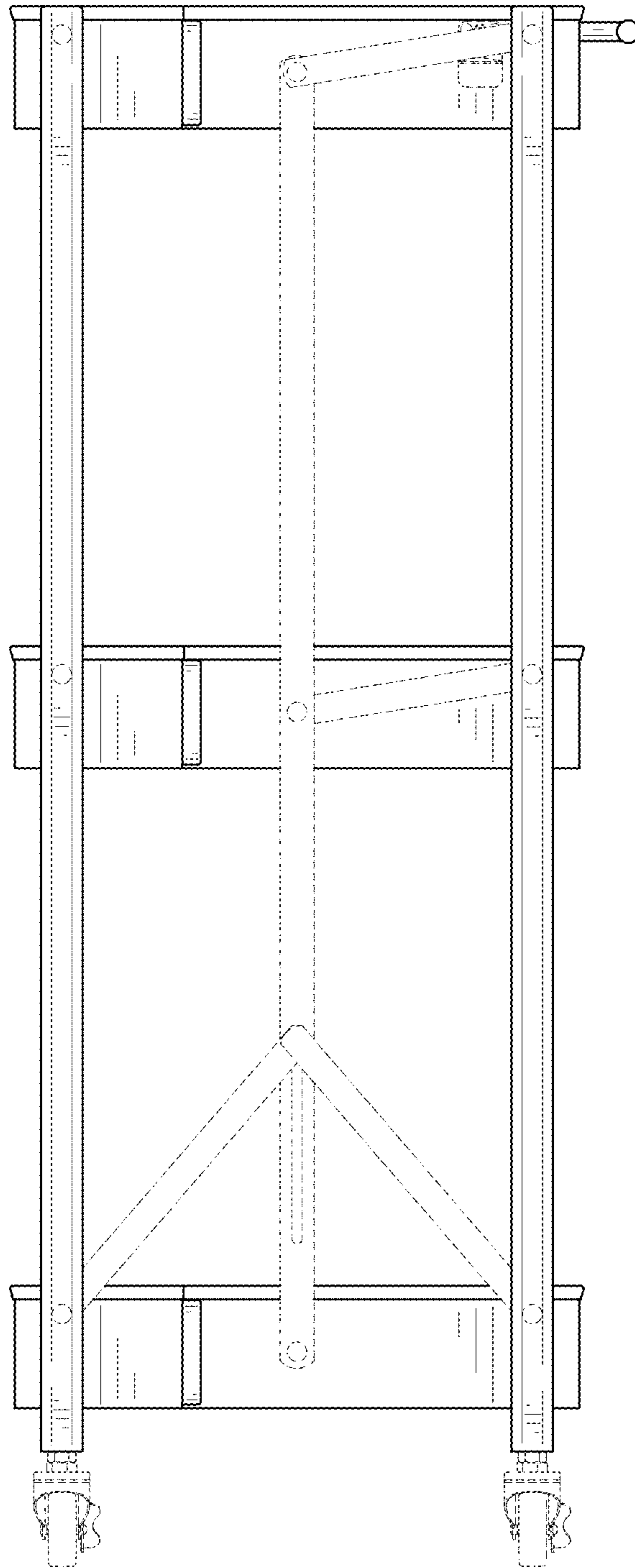


FIG. 5

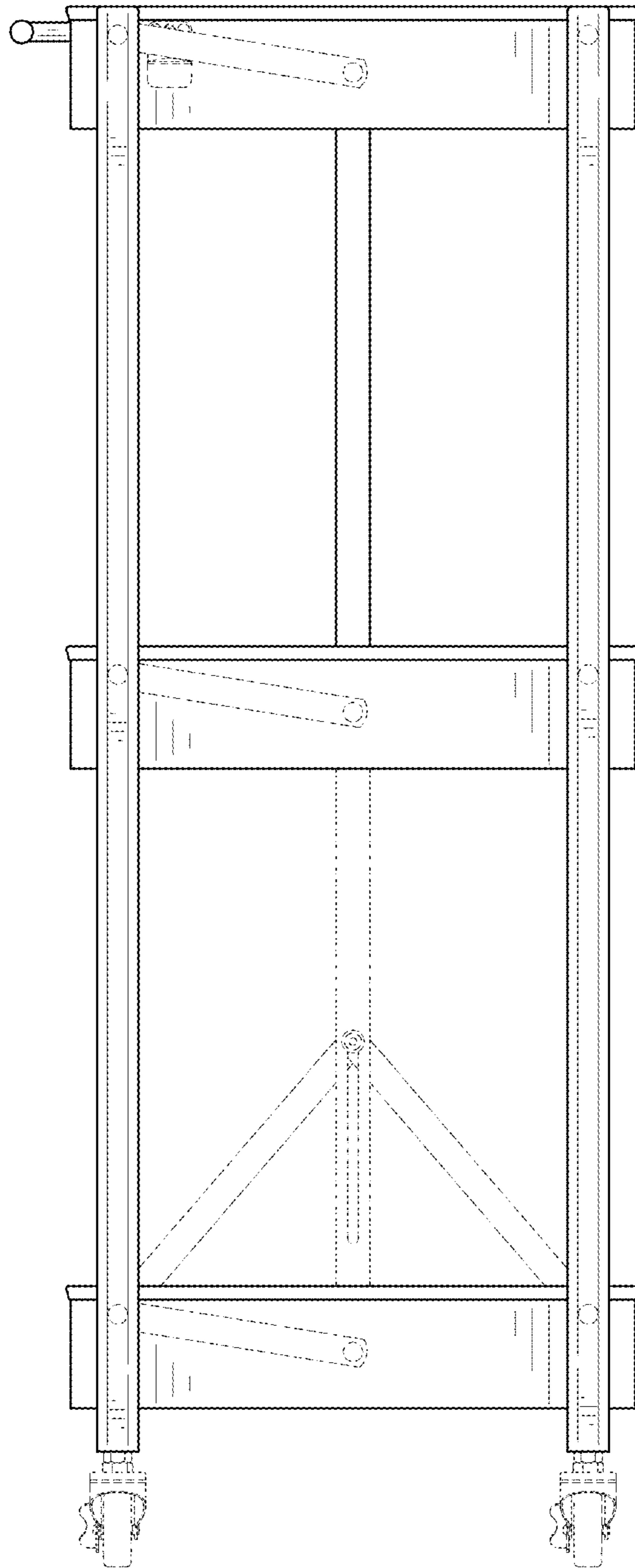


FIG. 6

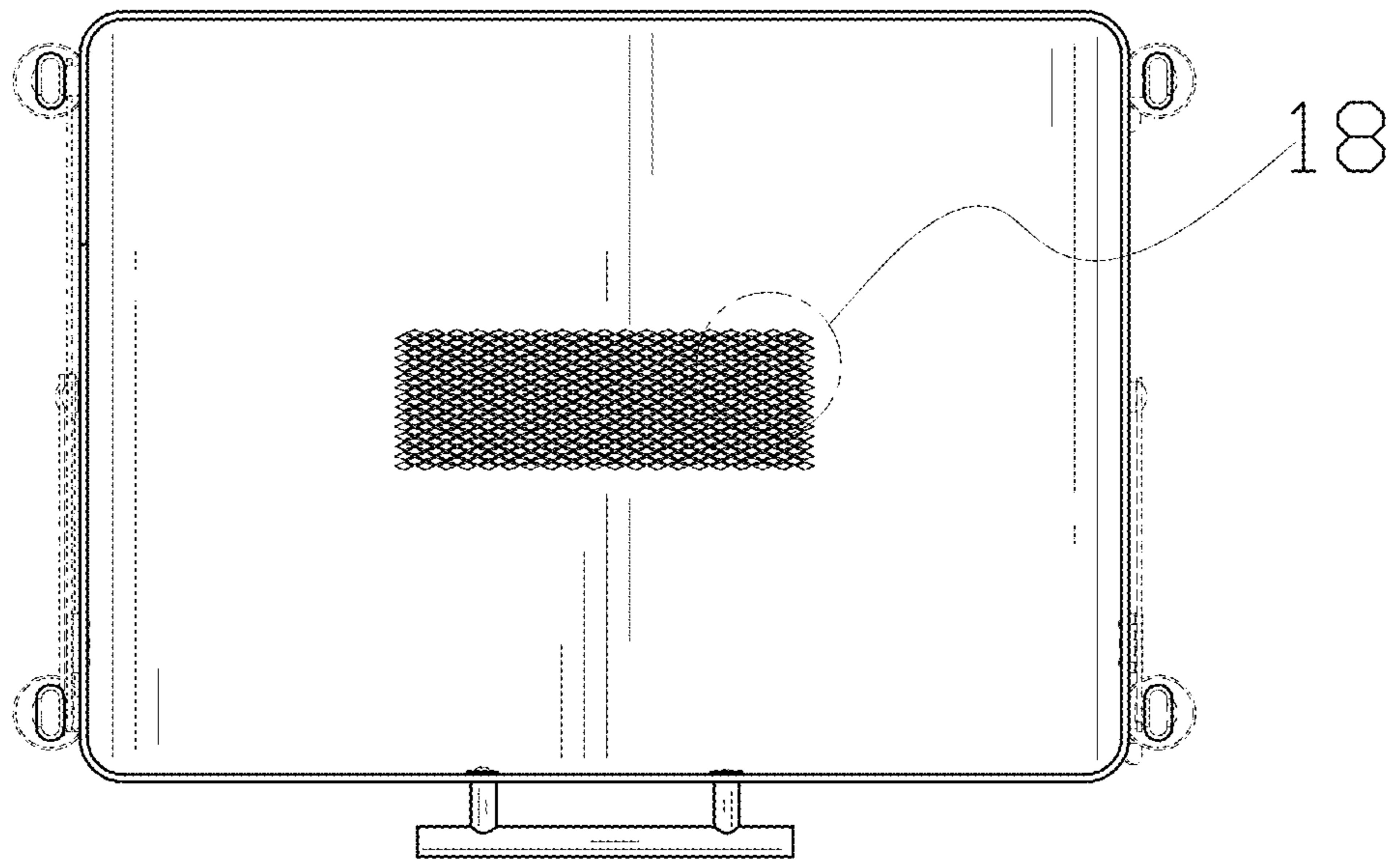


FIG. 7

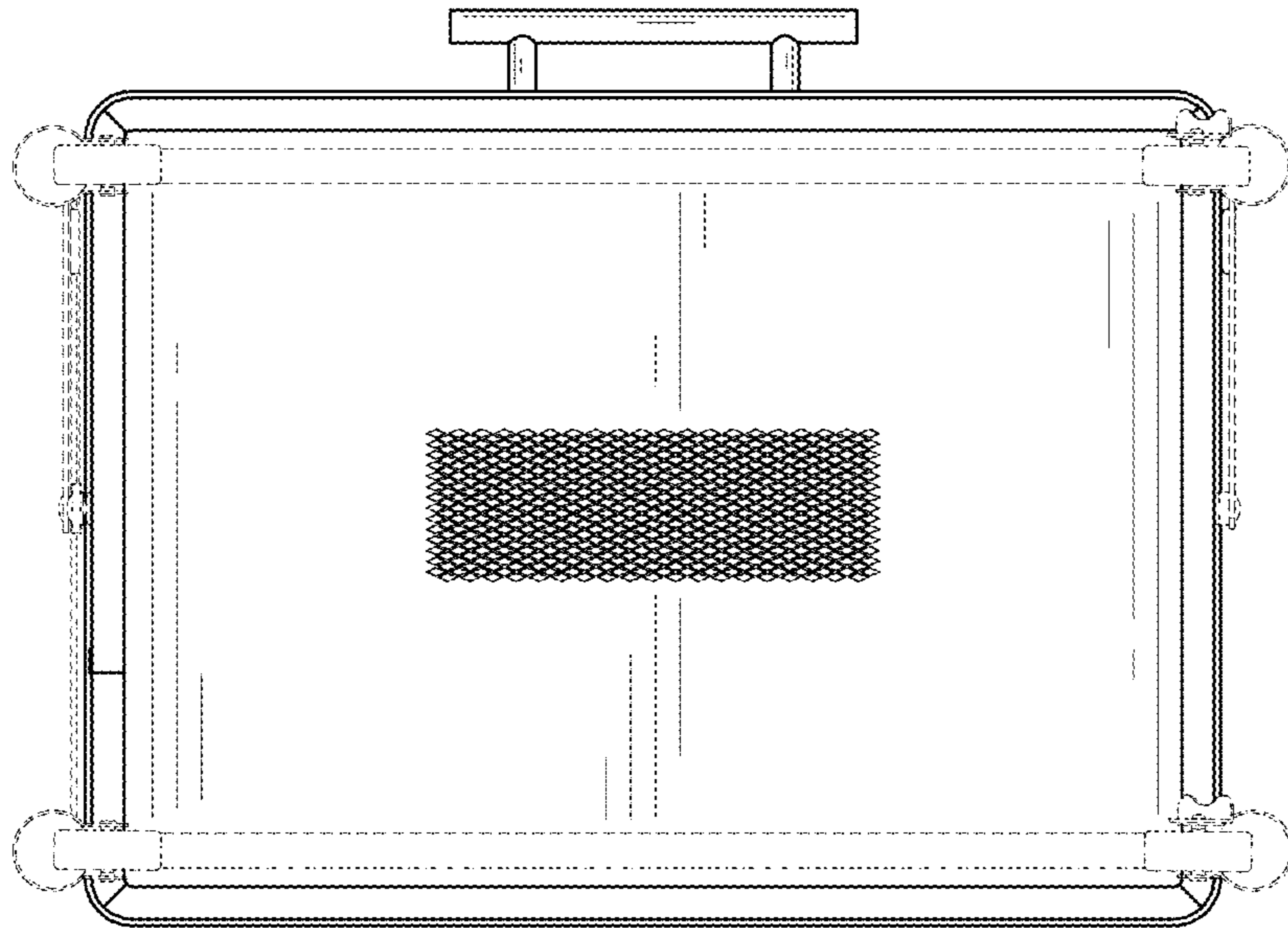


FIG. 8

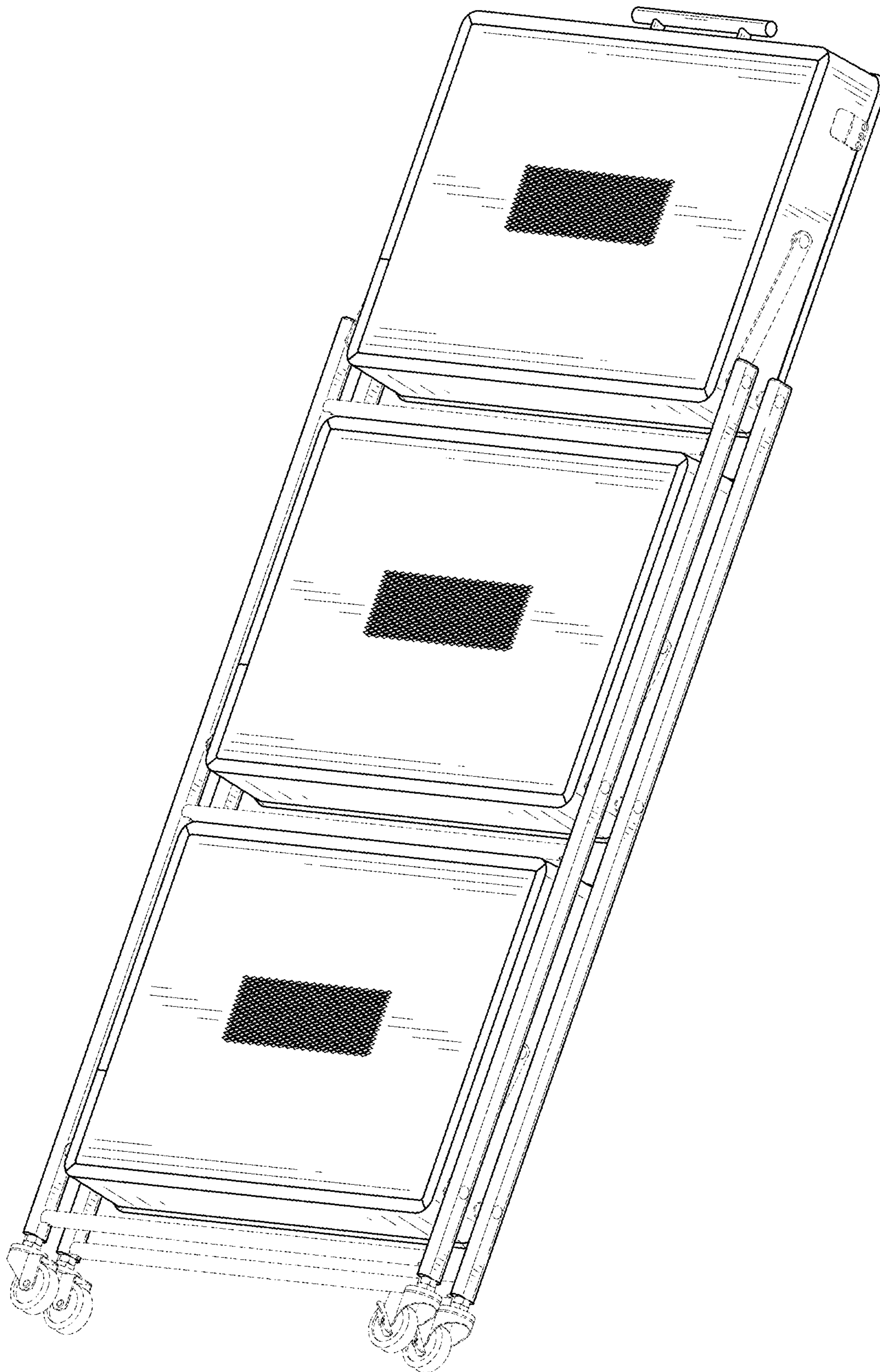


FIG. 9

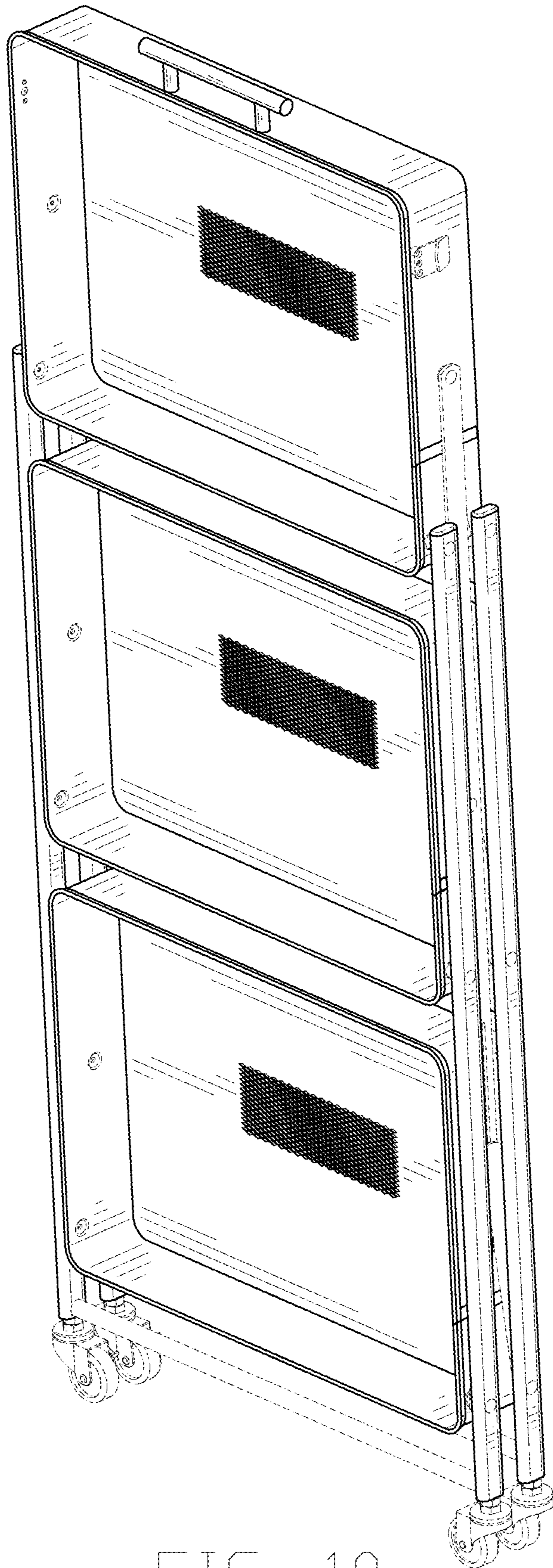


FIG. 10

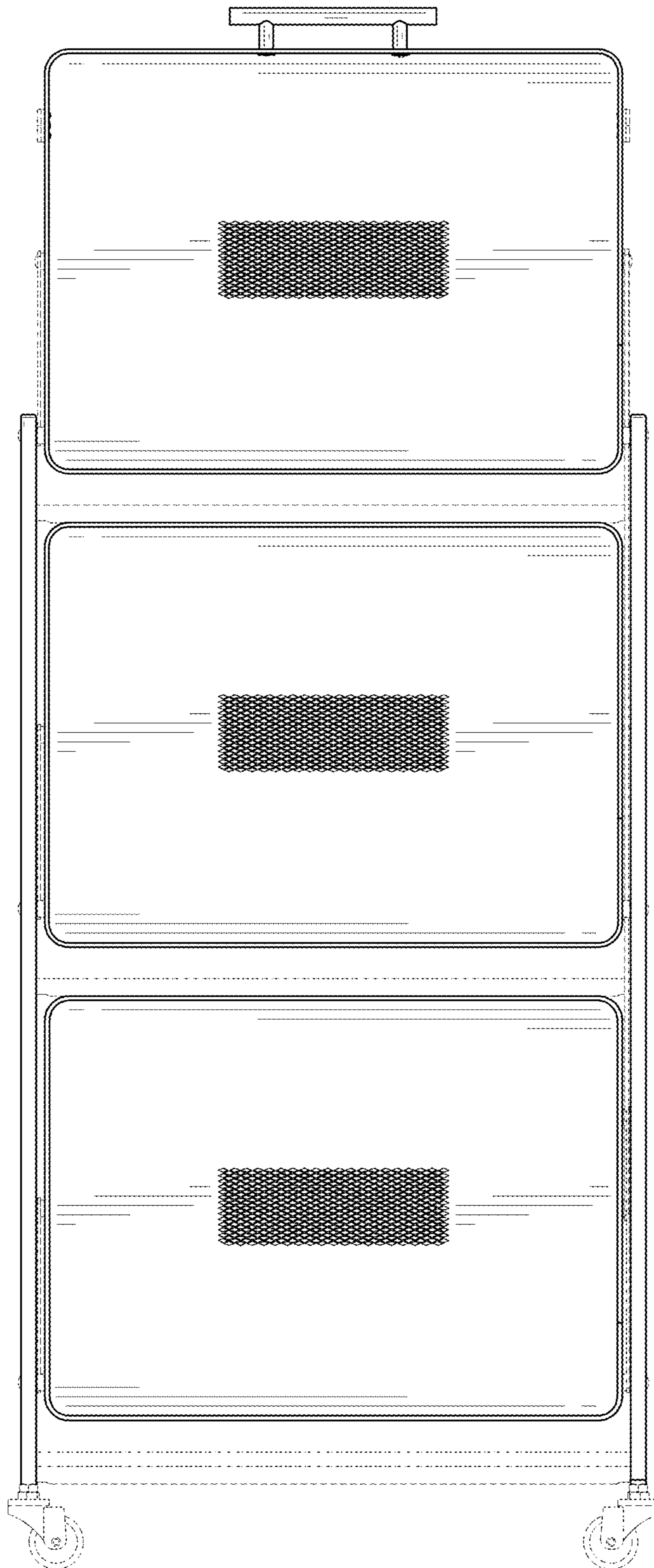


FIG. 11

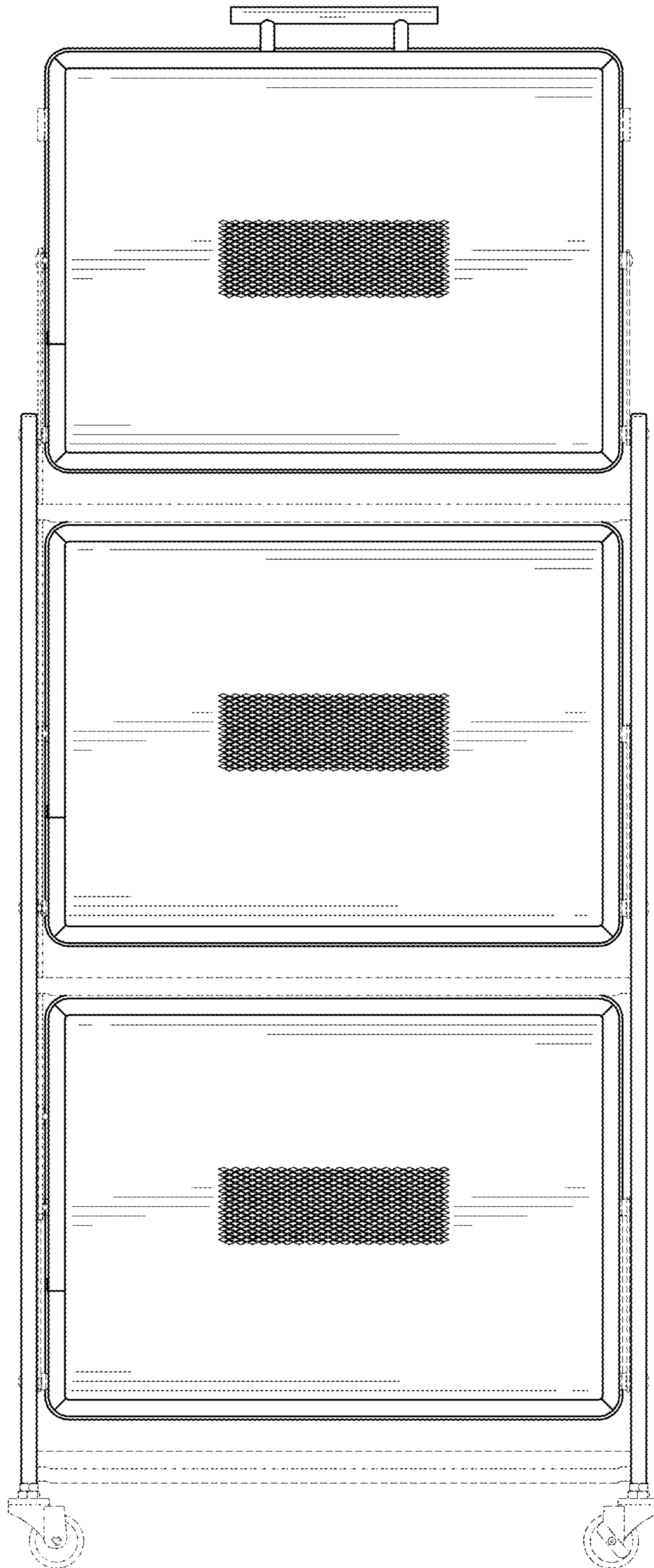


FIG. 12

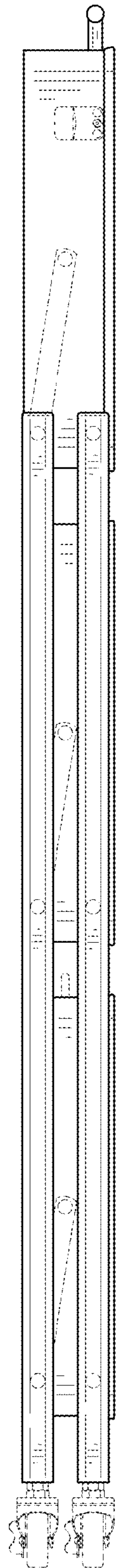


FIG. 13

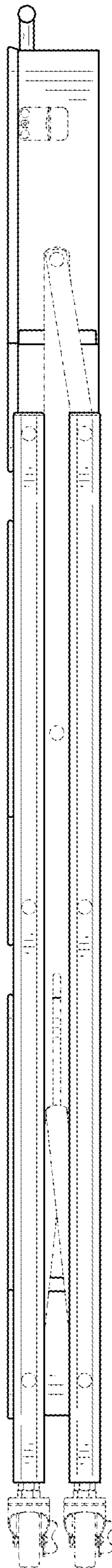


FIG. 14

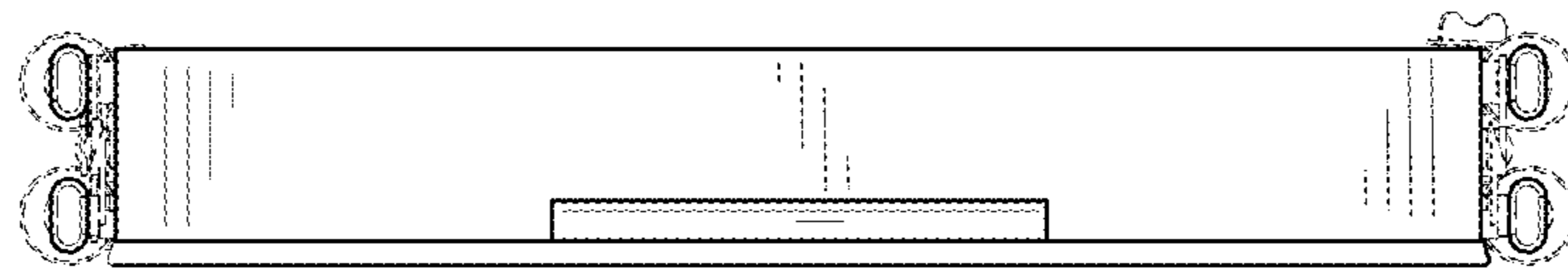


FIG. 15

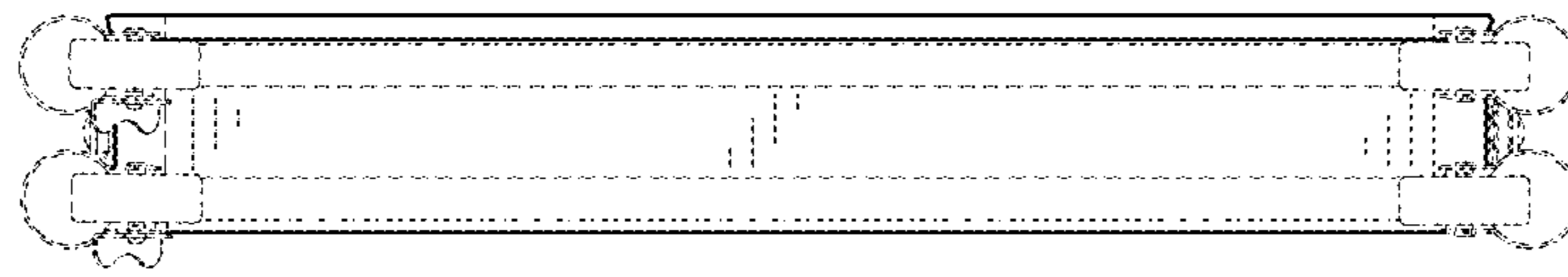


FIG. 16

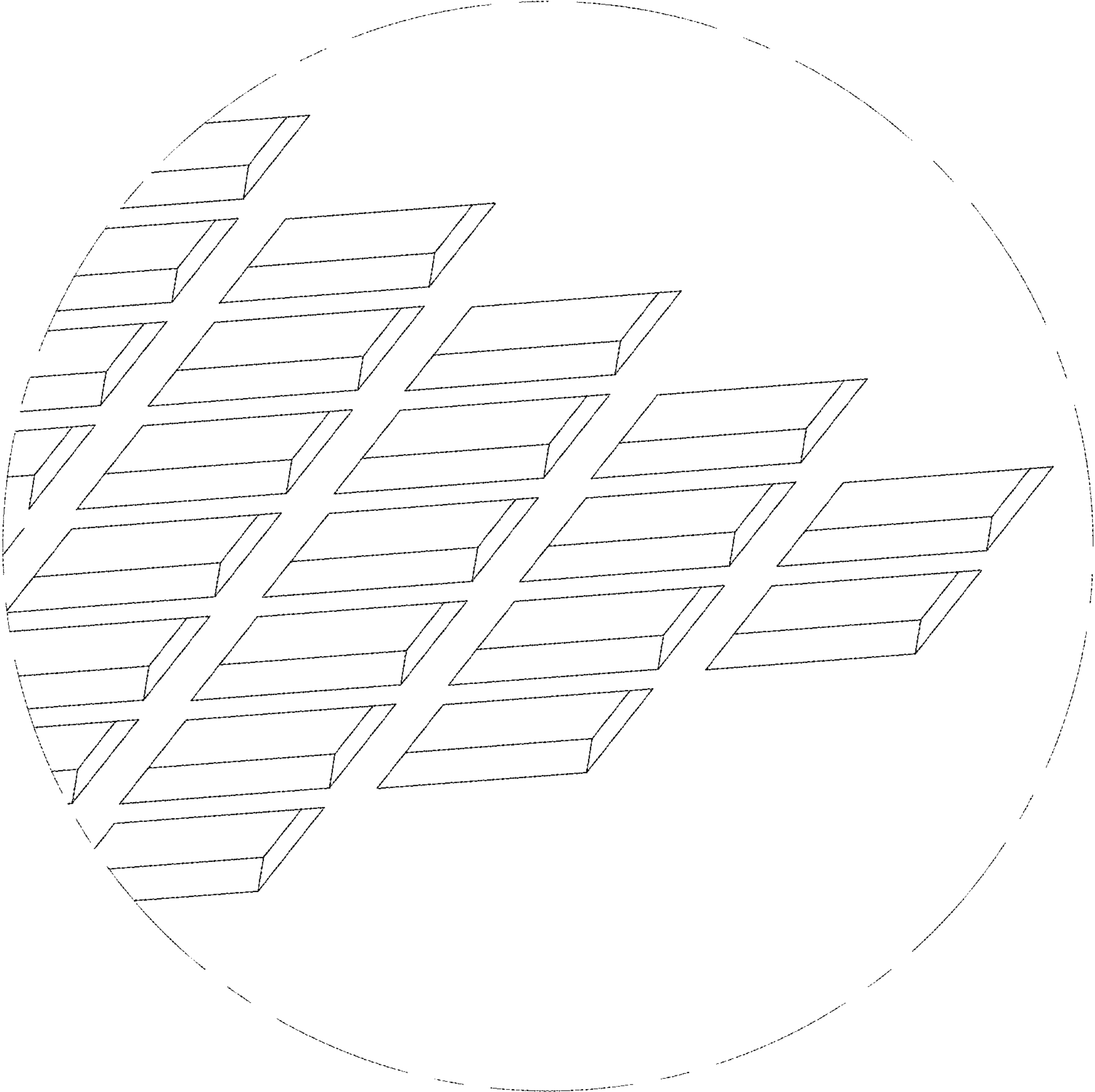


FIG. 17

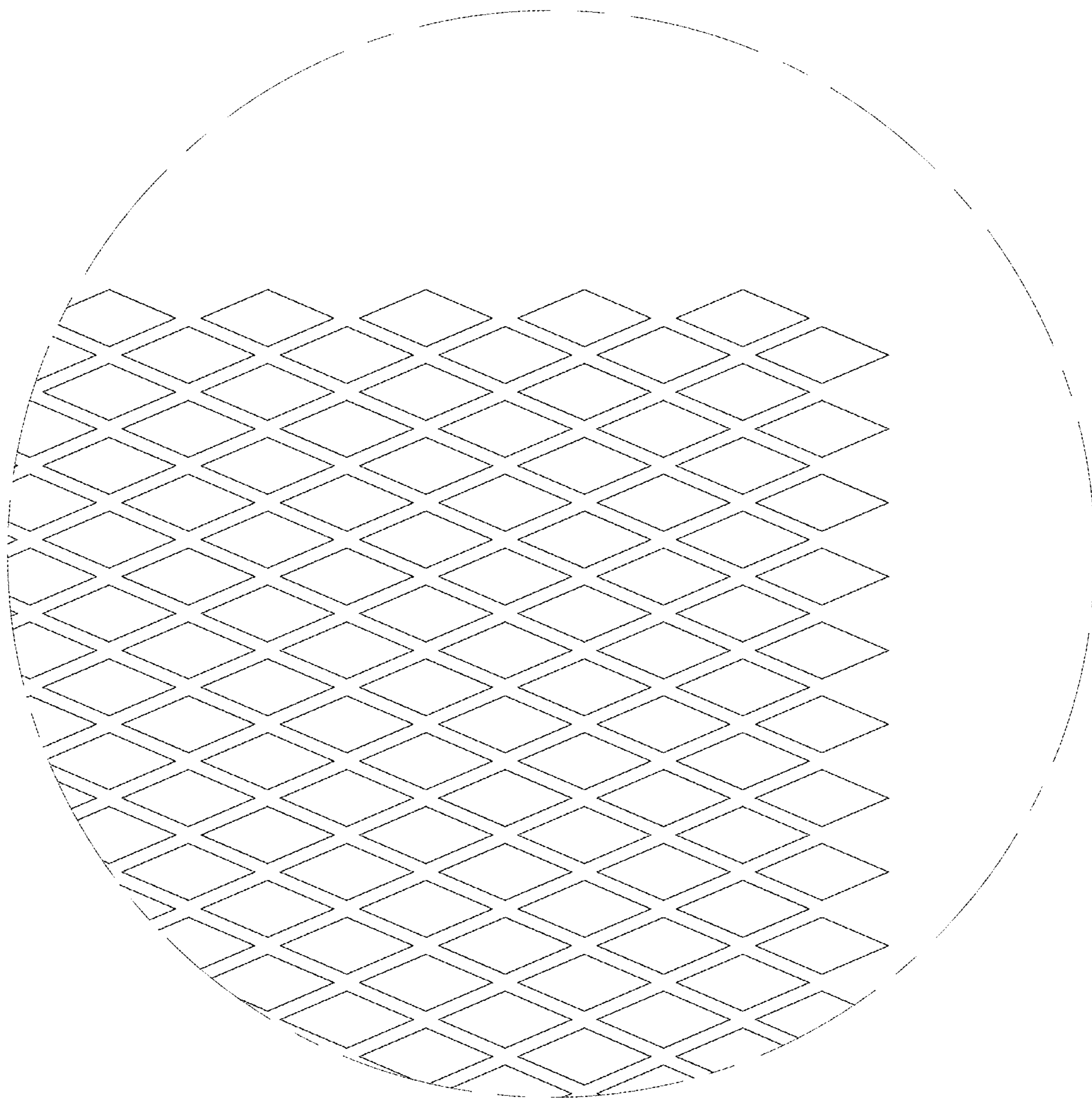


FIG. 18