



US00D901814S

(12) **United States Design Patent**
Tsui

(10) **Patent No.:** **US D901,814 S**
(45) **Date of Patent:** **** Nov. 10, 2020**

(54) **SAFETY CONE BROOM AND MOP HOLDER SET**

(71) Applicant: **East Trillion (Global) Company Limited, Hong Kong (HK)**

(72) Inventor: **Chin Hang Tsui, Hong Kong (HK)**

(73) Assignee: **East Trillion (Global) Company Limited, Hong Kong (HK)**

(**) Term: **15 Years**

(21) Appl. No.: **29/658,046**

(22) Filed: **Jul. 27, 2018**

(51) **LOC (12) Cl.** **07-05**

(52) **U.S. Cl.**
USPC **D32/52**

(58) **Field of Classification Search**
USPC ... D32/40-43, 45-46, 50-52, 15, 17-18, 22, D32/25, 69-72; D9/527-528, 685; D4/116-118; D19/163, 117, 184; D6/566; D34/17
CPC A61B 90/80; A47L 25/00; A47L 5/24-26; A47L 13/20; A47L 13/44; A47L 13/10; A47L 13/512; A47F 7/00
See application file for complete search history.

(56) **References Cited**

U.S. PATENT DOCUMENTS

- 69,026 A * 9/1867 Richmond A63D 15/10 211/68
- 1,208,923 A * 12/1916 Dell A47K 1/09 211/65
- 1,250,726 A * 12/1917 Mouwerik A47F 7/00 211/13.1
- 1,450,150 A * 3/1923 Farr A47F 7/00 211/26
- 1,485,092 A * 2/1924 Rauchut A47L 13/512 24/526

- 2,441,982 A * 5/1948 Turner A47L 13/51 248/688
- 2,584,219 A * 2/1952 Murrell A47L 13/51 312/207
- 3,022,895 A * 2/1962 Kingsley A47F 7/00 211/4
- 3,981,399 A * 9/1976 Crouch B44D 3/123 206/15.2

(Continued)

FOREIGN PATENT DOCUMENTS

JP D1524013 * 5/2018

Primary Examiner — John R Yeh

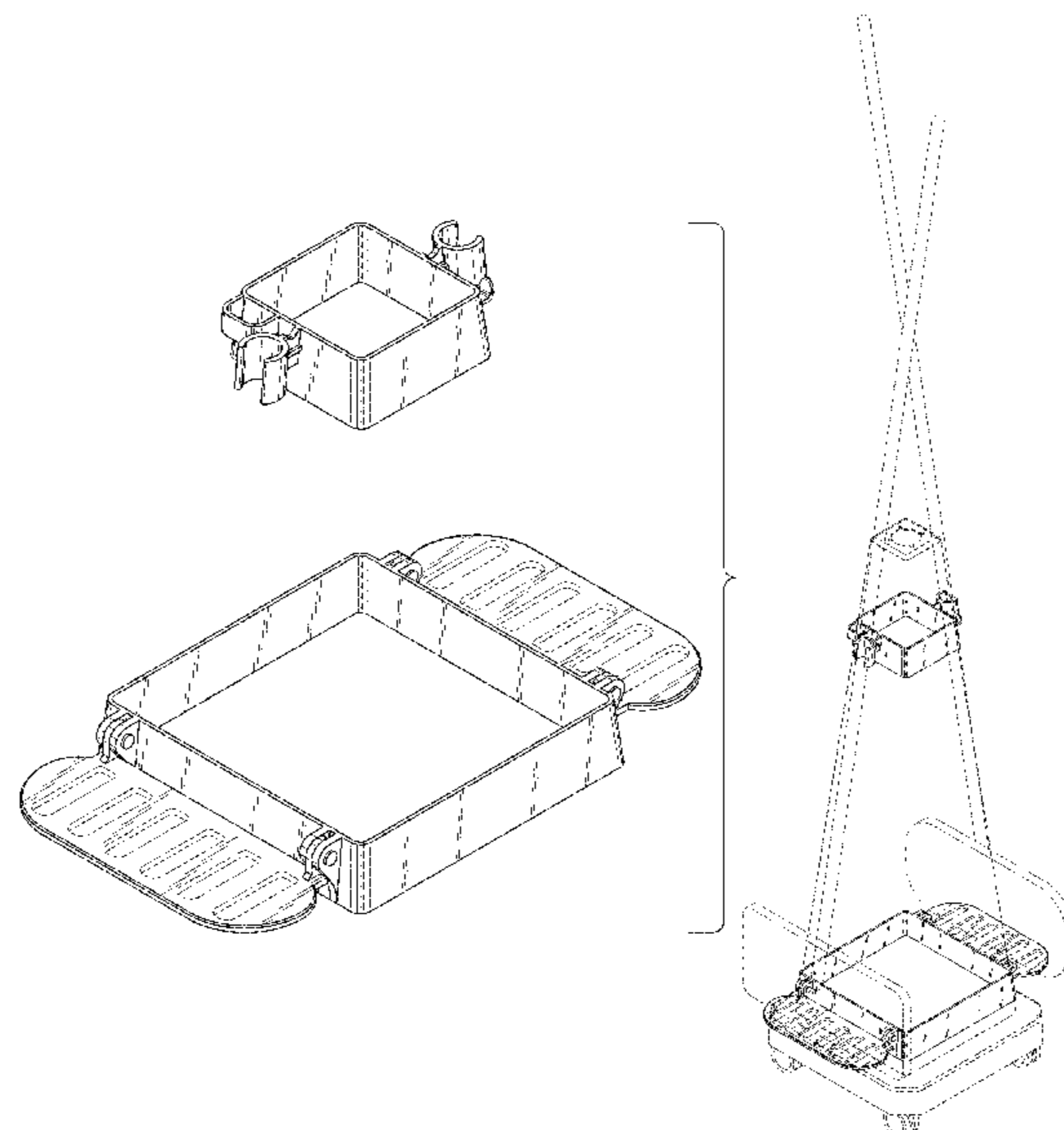
(57) **CLAIM**

The ornamental design for a safety cone broom and mop holder set, as shown and described.

DESCRIPTION

FIG. 1 is a perspective view of a safety cone broom and holder set showing my new design;
 FIG. 2 is a front elevational view thereof;
 FIG. 3 is a rear elevational view thereof;
 FIG. 4 is a left side view thereof;
 FIG. 5 is a right side view thereof;
 FIG. 6 is a top plan view thereof;
 FIG. 7 is a bottom plan view thereof;
 FIG. 8 is a perspective view of the safety cone broom and mop holder set in an alternate configuration;
 FIG. 9 is a perspective view of the safety cone broom and mop holder set in an environment of use; and,
 FIG. 10 is a perspective view of the safety cone broom and mop holder set in an environment of use with cleaning tools.
 Throughout the figures, the broken lines shown in the foldable platforms of the safety cone broom and mop holder set form no part of the claimed design. All other broken lines in FIGS. 9-10 illustrate environmental subject matter that form no part of the claimed design.

1 Claim, 10 Drawing Sheets



(56)

References Cited

U.S. PATENT DOCUMENTS

4,479,584 A * 10/1984 Raz A47K 17/00
 211/51
 5,306,029 A * 4/1994 Kaiser, II A47B 31/02
 108/80
 D391,716 S * 3/1998 Lyles, Sr. D32/51
 D393,130 S * 3/1998 Murphy D32/41
 D393,508 S * 4/1998 Rademacher D32/52
 6,629,616 B1 * 10/2003 Heinzle A47B 47/00
 211/85.7
 6,651,829 B1 * 11/2003 Prochaska B25H 3/04
 211/65
 6,711,845 B2 * 3/2004 Dubois A47B 81/005
 224/912
 6,783,013 B1 * 8/2004 Spann B25H 3/04
 211/60.1
 7,044,299 B2 * 5/2006 Nagoya A46B 17/04
 206/361
 D548,911 S * 8/2007 Main D32/38
 D615,439 S * 5/2010 Ludford D10/113.2
 7,775,611 B1 * 8/2010 Solis A47L 13/51
 312/206

D624,269 S * 9/2010 Uhl D34/17
 8,025,347 B1 * 9/2011 Solis A47L 13/51
 312/206
 D653,830 S * 2/2012 Maddux D34/17
 D660,063 S * 5/2012 Herrera Rodriguez D6/566
 8,567,616 B2 * 10/2013 Mishan A47L 13/20
 211/70.6
 D728,880 S * 5/2015 Mishan D32/35
 D755,462 S * 5/2016 Howard D34/17
 9,936,799 B2 * 4/2018 Reyes A46B 17/02
 2005/0051678 A1 * 3/2005 Modesto A47F 5/0884
 248/121
 2005/0061695 A1 * 3/2005 Nogin A47L 13/51
 206/362.3
 2008/0029981 A1 * 2/2008 Dukes A47L 13/512
 280/47.35
 2009/0260562 A1 * 10/2009 Folstad B60Q 1/482
 116/28 R
 2016/0031074 A1 * 2/2016 Su B25H 3/04
 206/378
 2016/0316988 A1 * 11/2016 Balz A47L 13/59
 2018/0317717 A1 * 11/2018 Schultz A47K 5/12

* cited by examiner

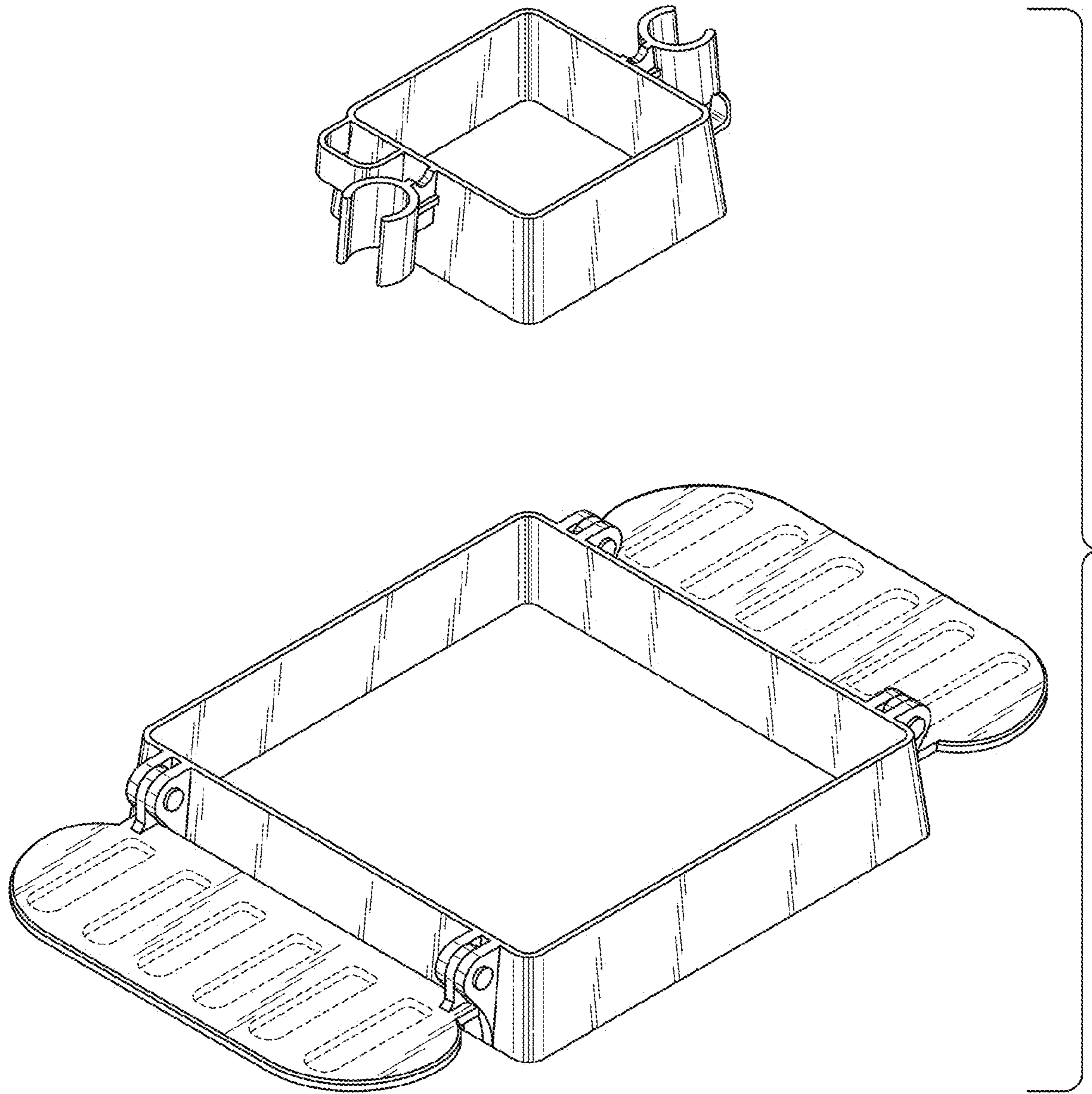


FIG. 1

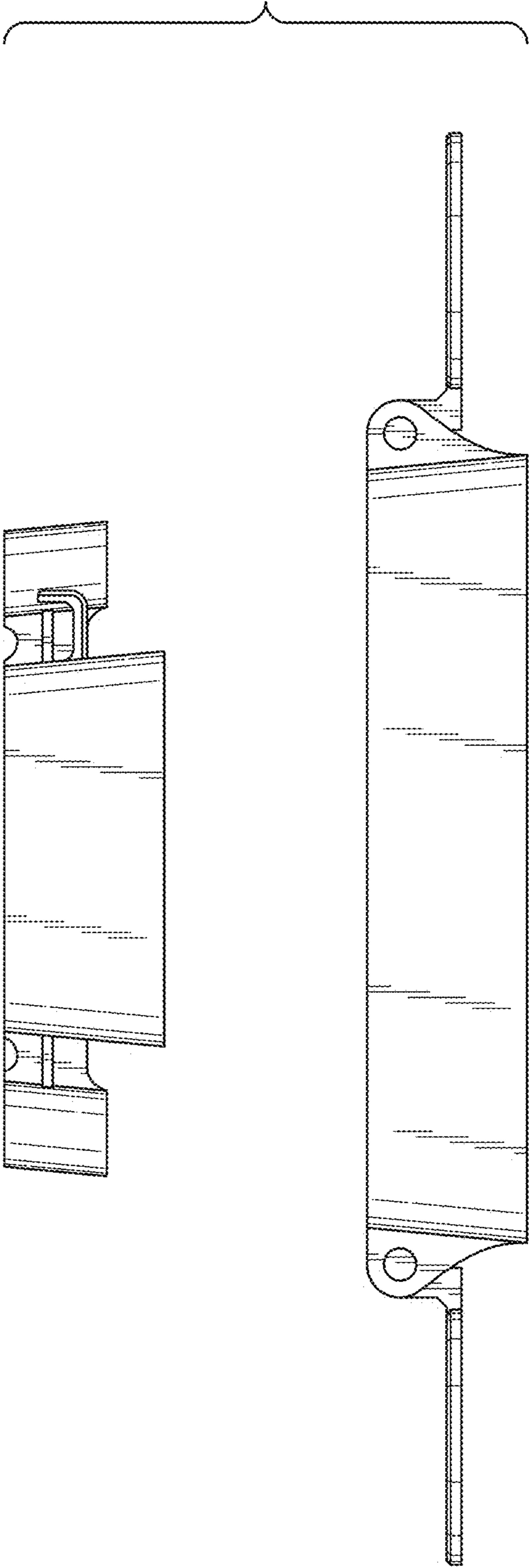


FIG. 2

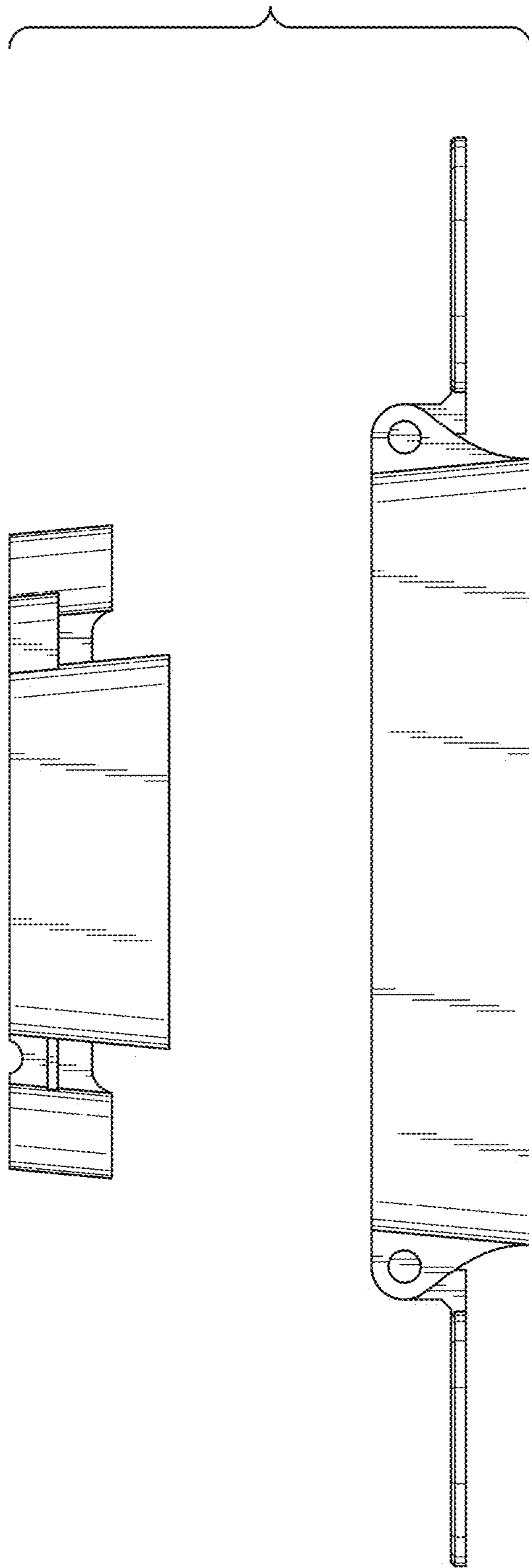


FIG. 3

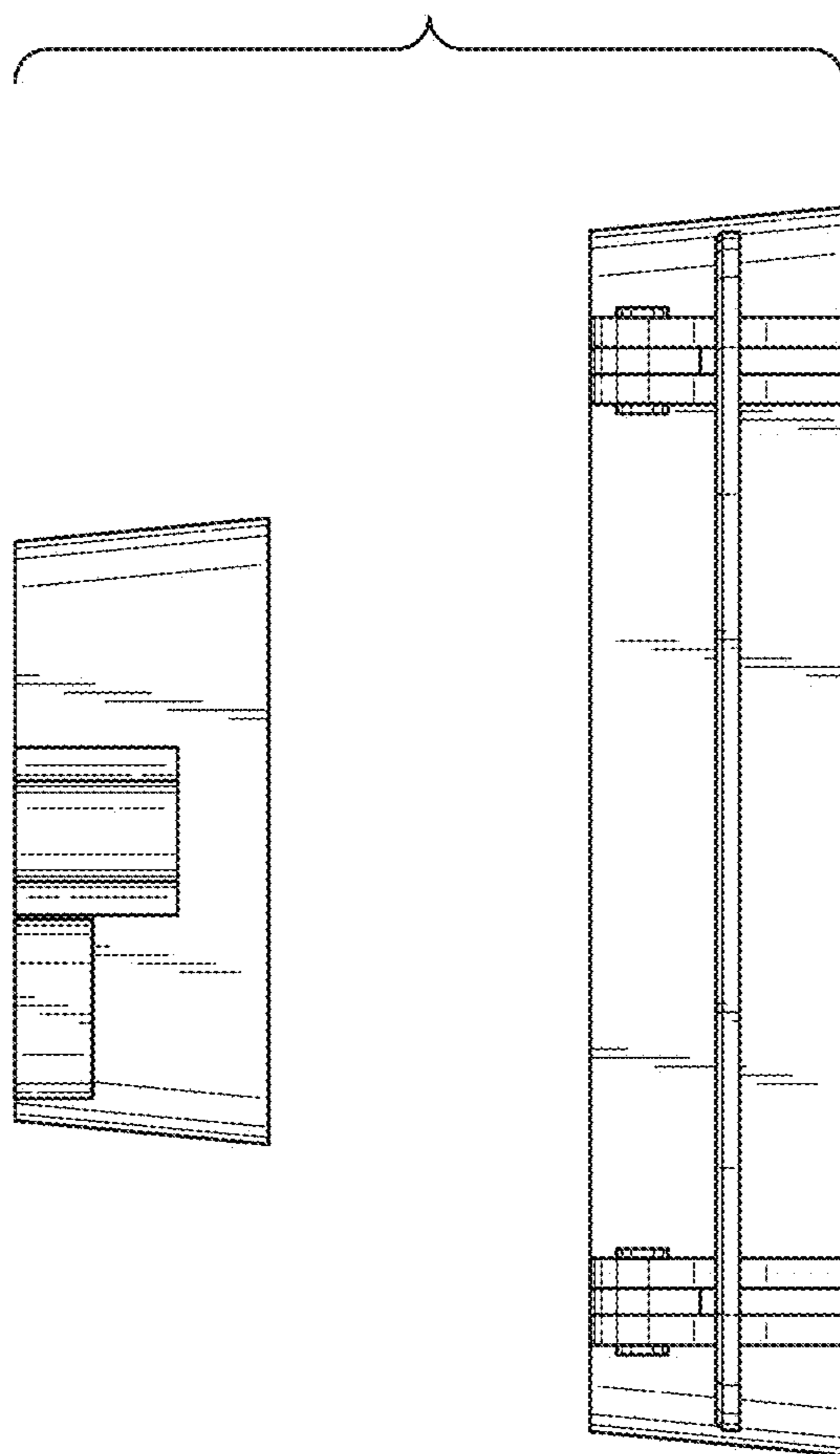


FIG. 4

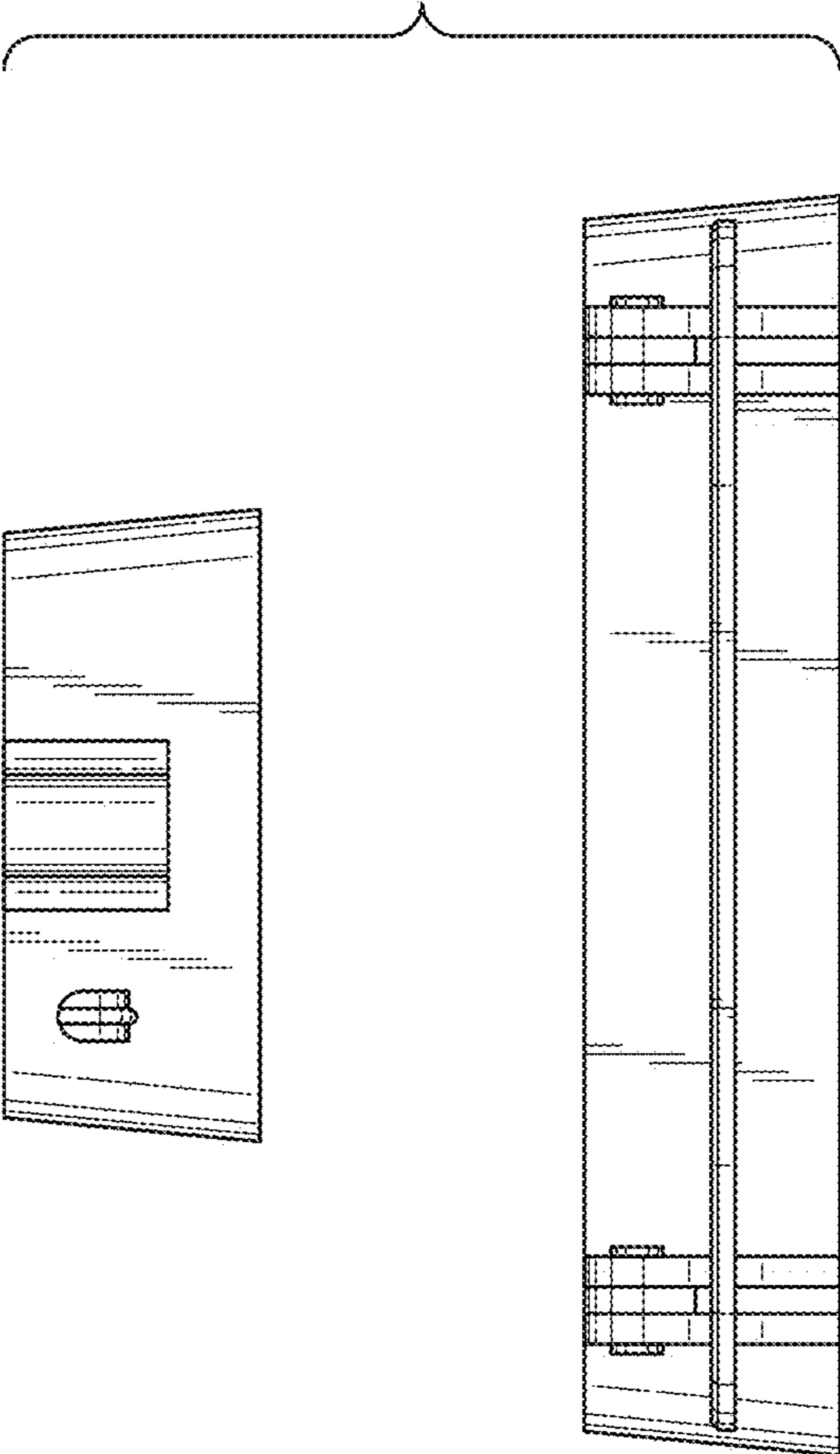


FIG. 5

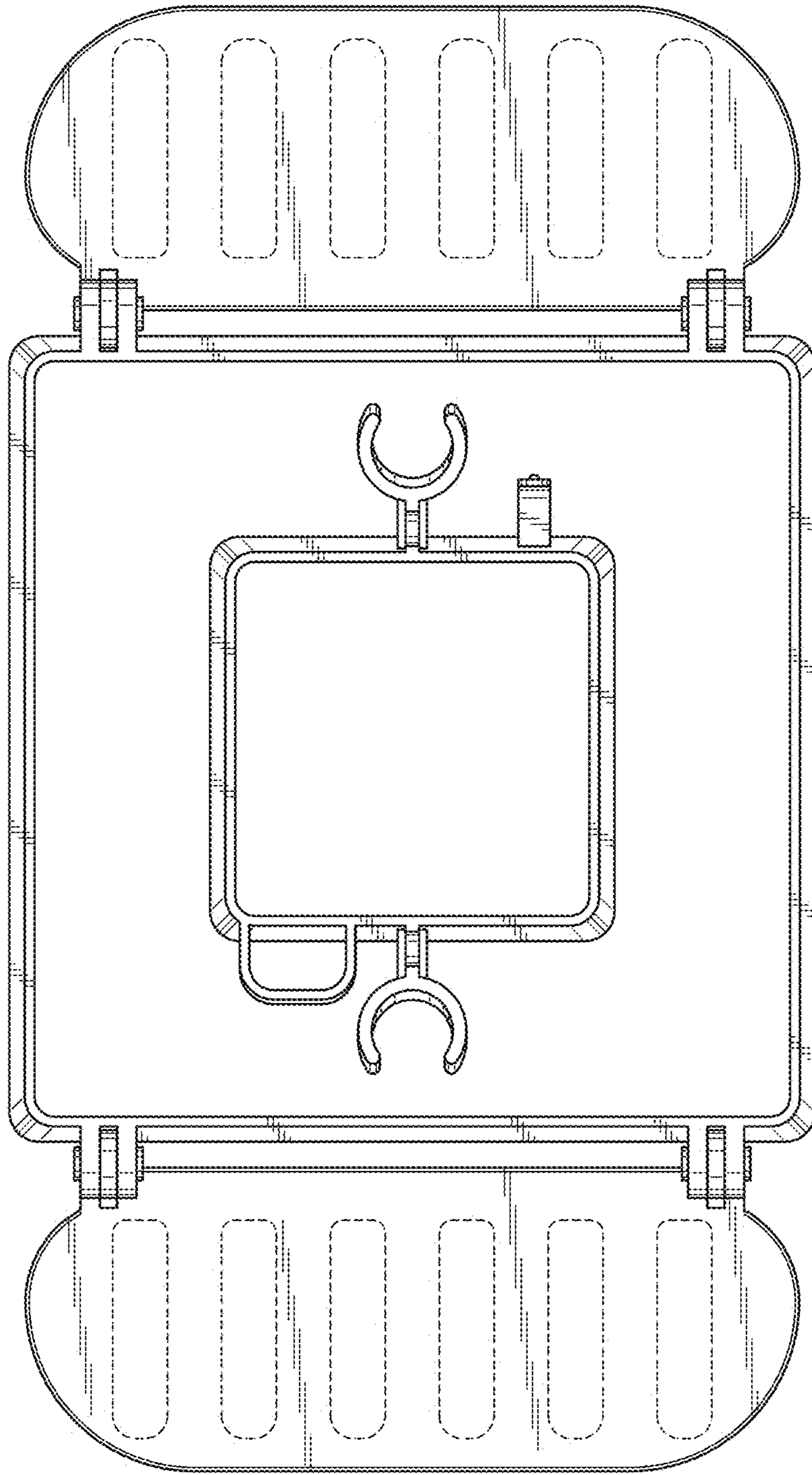


FIG. 6

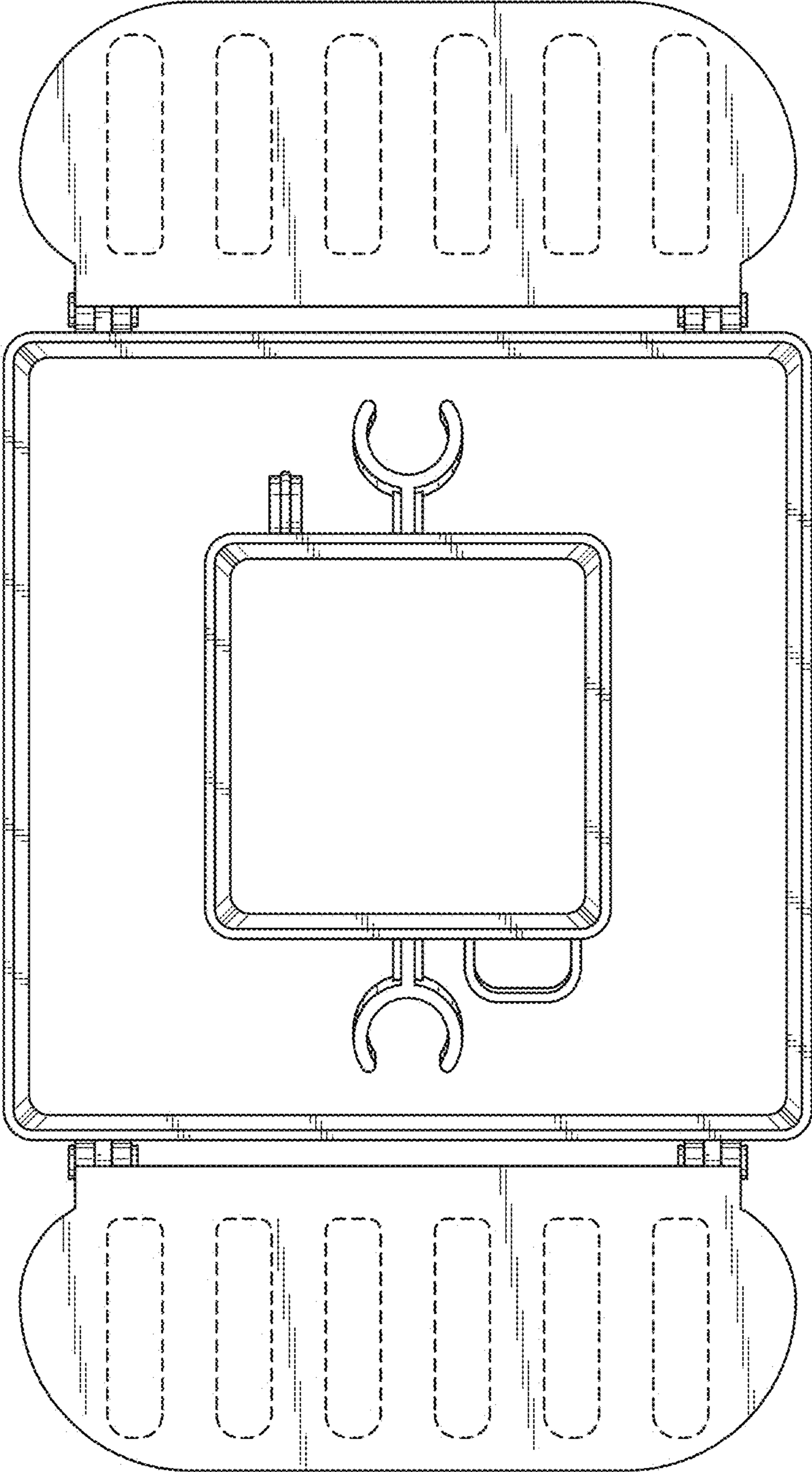


FIG. 7

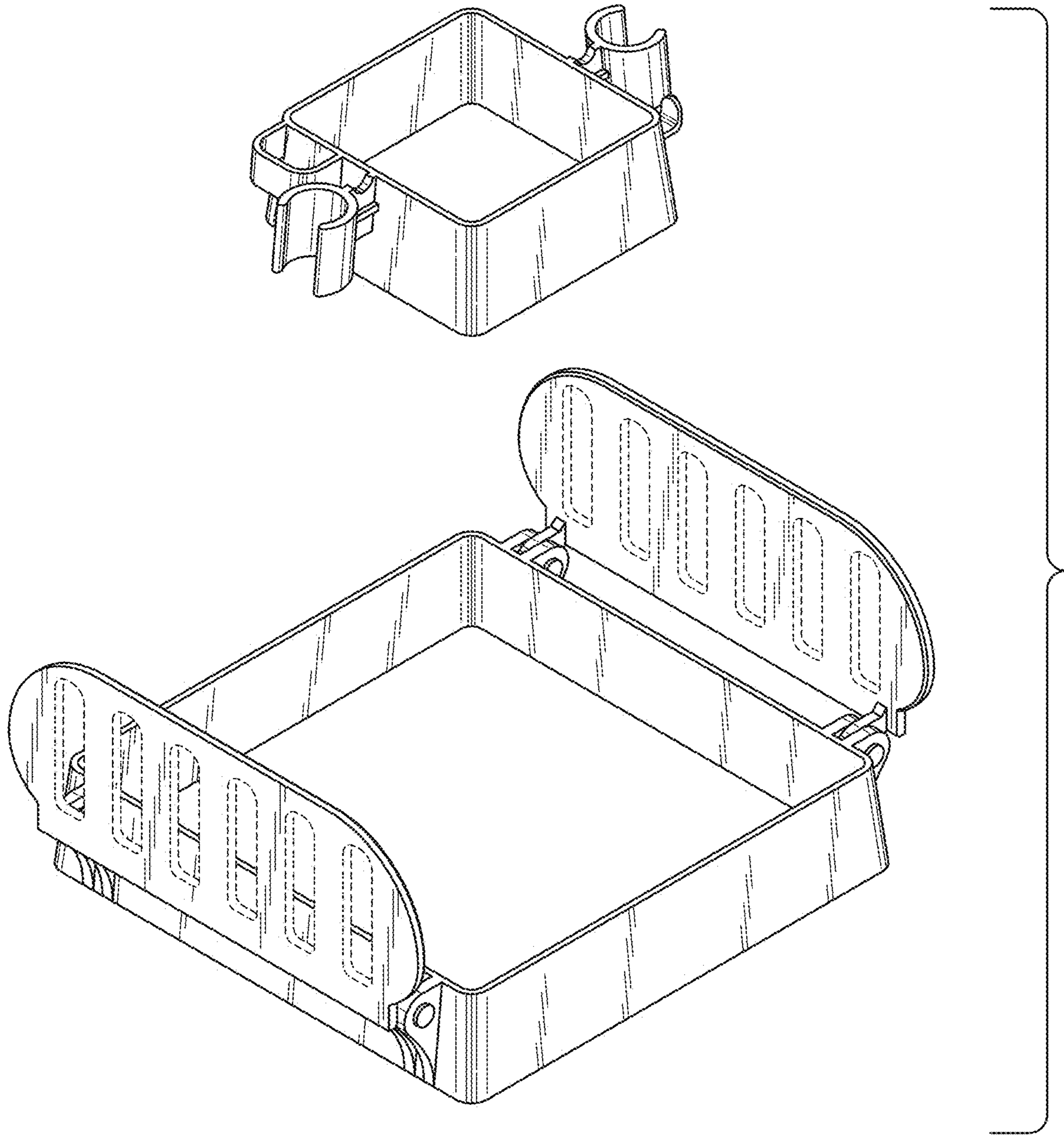


FIG. 8

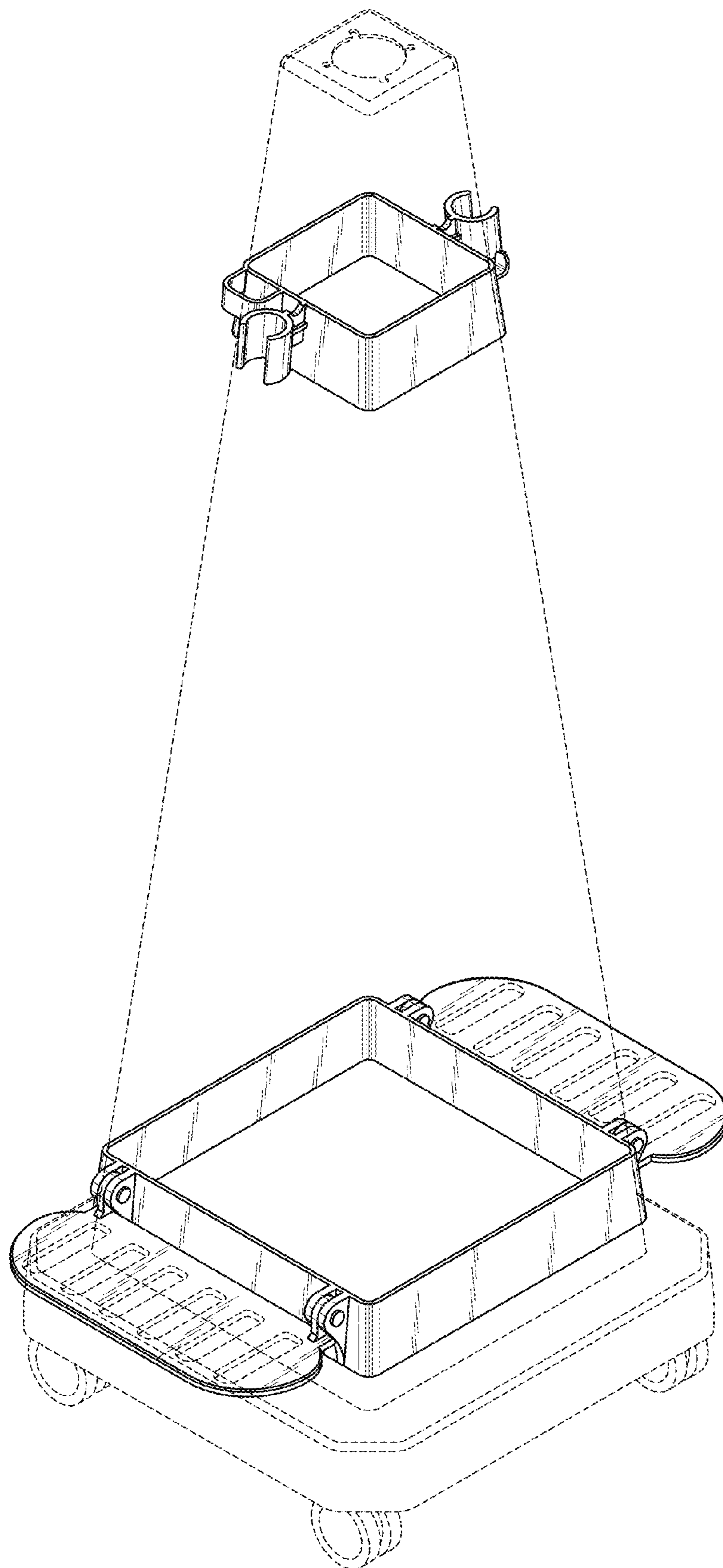


FIG. 9

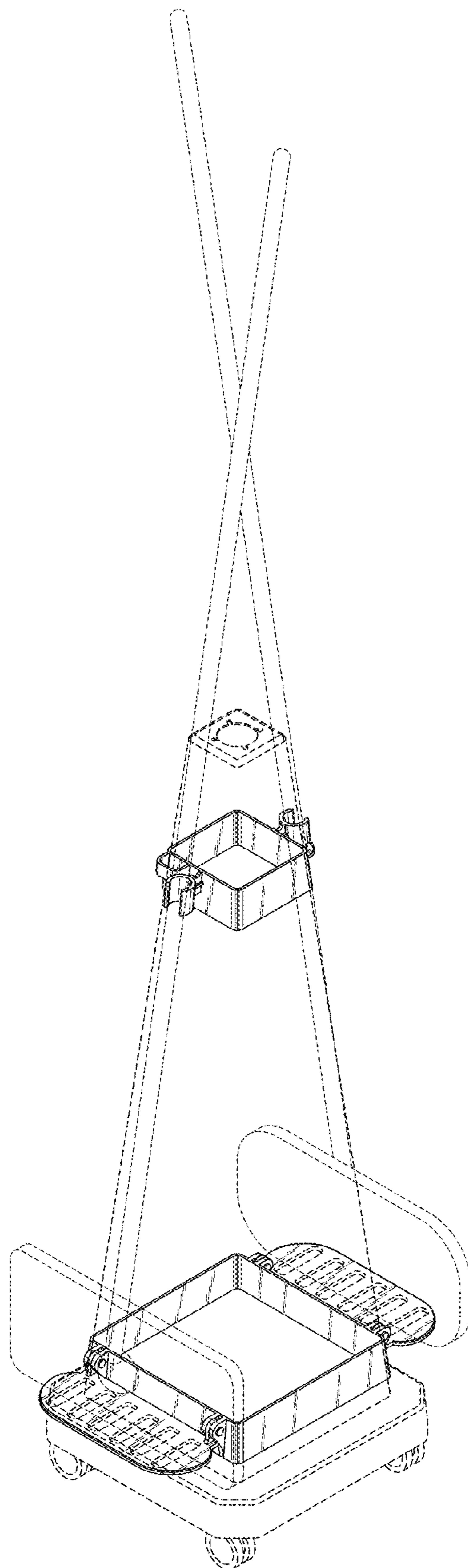


FIG. 10