



US00D901813S

(12) **United States Design Patent** (10) **Patent No.:** **US D901,813 S**
Hedlund (45) **Date of Patent:** **** Nov. 10, 2020**

(54) **MULTI-USE MOP**
(71) Applicant: **Aquastar, Inc.**, Chino, CA (US)
(72) Inventor: **Rikard Ingemarsson Hedlund**, Chino, CA (US)
(73) Assignee: **Aqua Star, Inc.**, Chino, CA (US)
(**) Term: **15 Years**
(21) Appl. No.: **29/679,157**
(22) Filed: **Feb. 1, 2019**

D653,826 S * 2/2012 Lee D32/50
D657,928 S * 4/2012 Byrne D32/50
D658,836 S * 5/2012 Ediger D32/50
D677,031 S * 2/2013 Best D32/50
D720,906 S * 1/2015 Baldwin D32/50
D766,528 S * 9/2016 Choi D32/50
D792,043 S * 7/2017 Buckley D32/50
D793,639 S * 8/2017 Schuller D32/45
2006/0018706 A1 * 1/2006 Bensussan A47L 13/42
403/122
2006/0048327 A1 * 3/2006 Lacotta A47L 13/256
15/228
2006/0070196 A1 * 4/2006 Lacotta A47L 13/12
15/118
2017/0049292 A1 * 2/2017 Harrington A47L 13/22

Related U.S. Application Data

(63) Continuation-in-part of application No. 15/044,455, filed on Feb. 16, 2016, now abandoned.
(51) **LOC (12) Cl.** **07-05**
(52) **U.S. Cl.**
USPC **D32/50**
(58) **Field of Classification Search**
USPC D32/40-43, 45-46, 50-52, 68
CPC ... A47L 11/40; A47L 1/08; A47L 1/00; A47L 13/12; A47L 13/10; B44D 3/16; E04F 21/00; E04F 21/24; E04D 13/076; E04D 13/04
See application file for complete search history.

References Cited

U.S. PATENT DOCUMENTS

D358,238 S * 5/1995 Barnett D32/40
D402,776 S * 12/1998 Carlson D32/50
5,915,437 A * 6/1999 Petner A47L 13/256
15/147.1
D506,050 S * 6/2005 Lalanne D32/45
D554,815 S * 11/2007 Harper D32/40
D563,068 S * 2/2008 Jiang D32/50
D615,260 S * 5/2010 Koenig D32/45
D644,386 S * 8/2011 Tawara D32/51

FOREIGN PATENT DOCUMENTS

CN 303421390 * 10/2015

* cited by examiner

Primary Examiner — John R Yeh

(74) *Attorney, Agent, or Firm* — Hankin Patent Law, APC; Kevin Schraven; Anooj Patel

(57) **CLAIM**

The ornamental design for the multi-use mop, as shown and described.

DESCRIPTION

FIG. 1 is a top perspective view for a multi-use mop showing my new design.

FIG. 2 is a front elevational view thereof.

FIG. 3 is a rear elevational view thereof

FIG. 4 is a right side elevational view thereof.

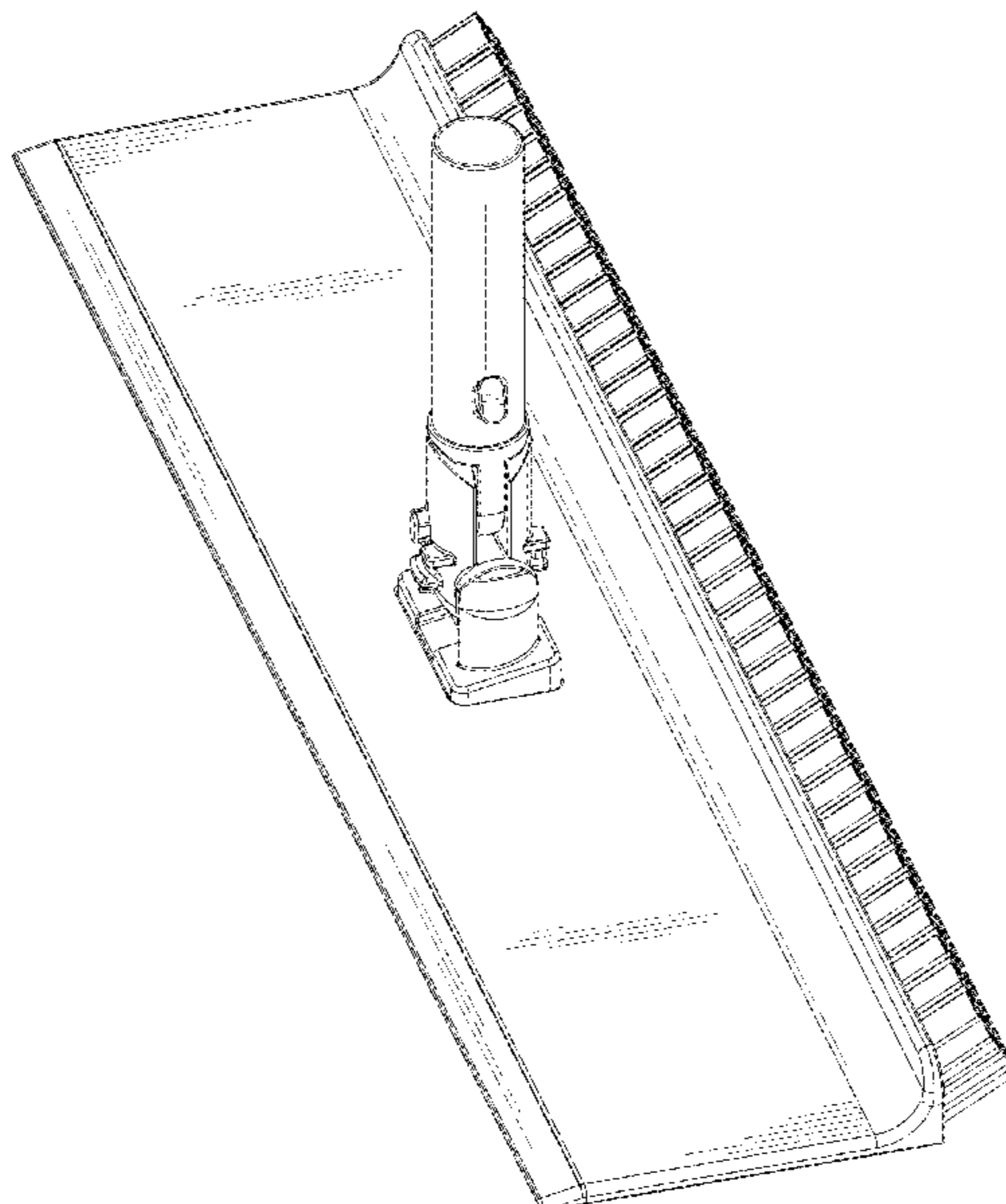
FIG. 5 is a left side elevational view thereof.

FIG. 6 is a top plan view thereof; and,

FIG. 7 is a bottom plan view thereof.

The broken lines depict portions of the multi-use mop that form no part of the claimed design.

1 Claim, 6 Drawing Sheets



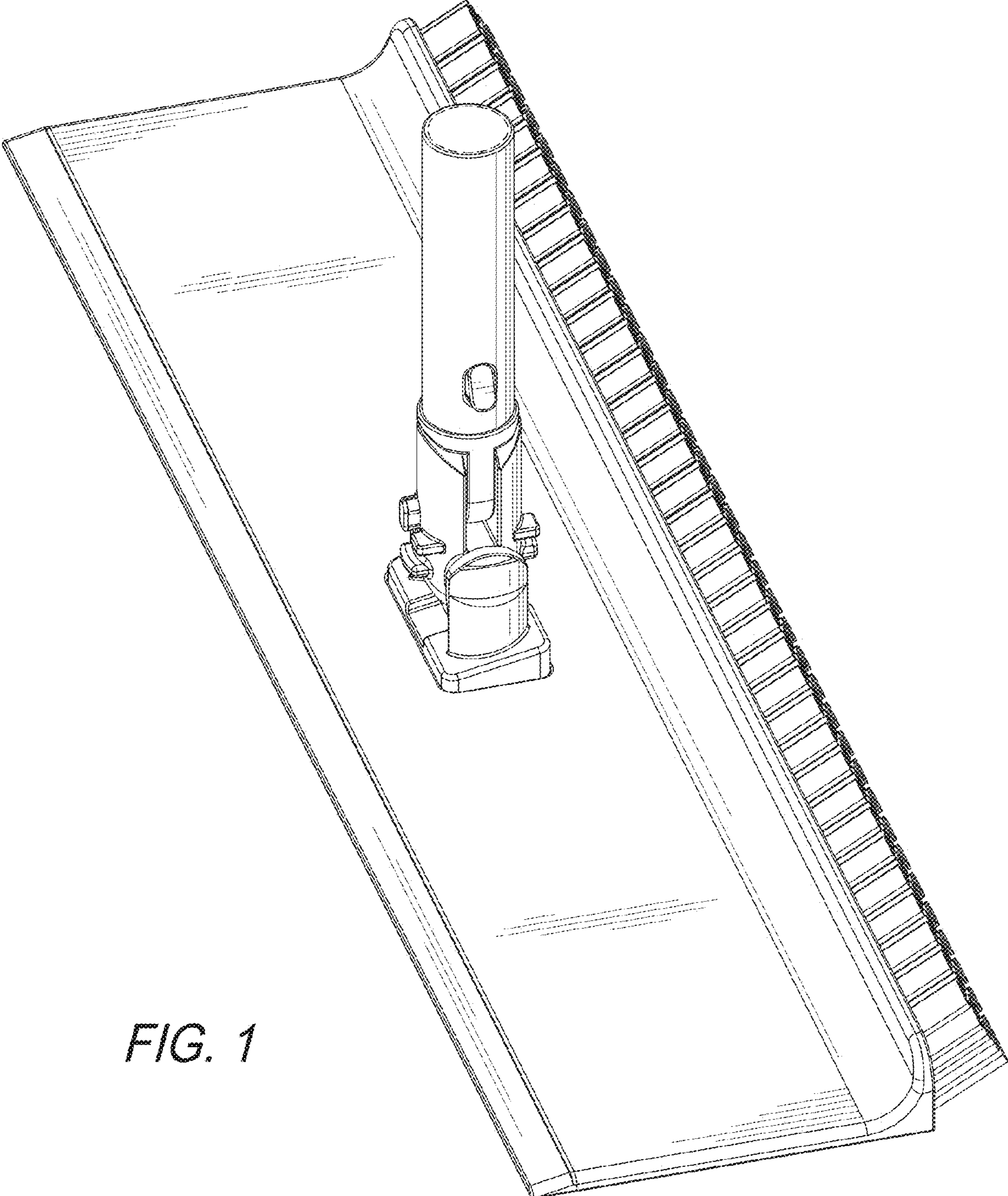


FIG. 1

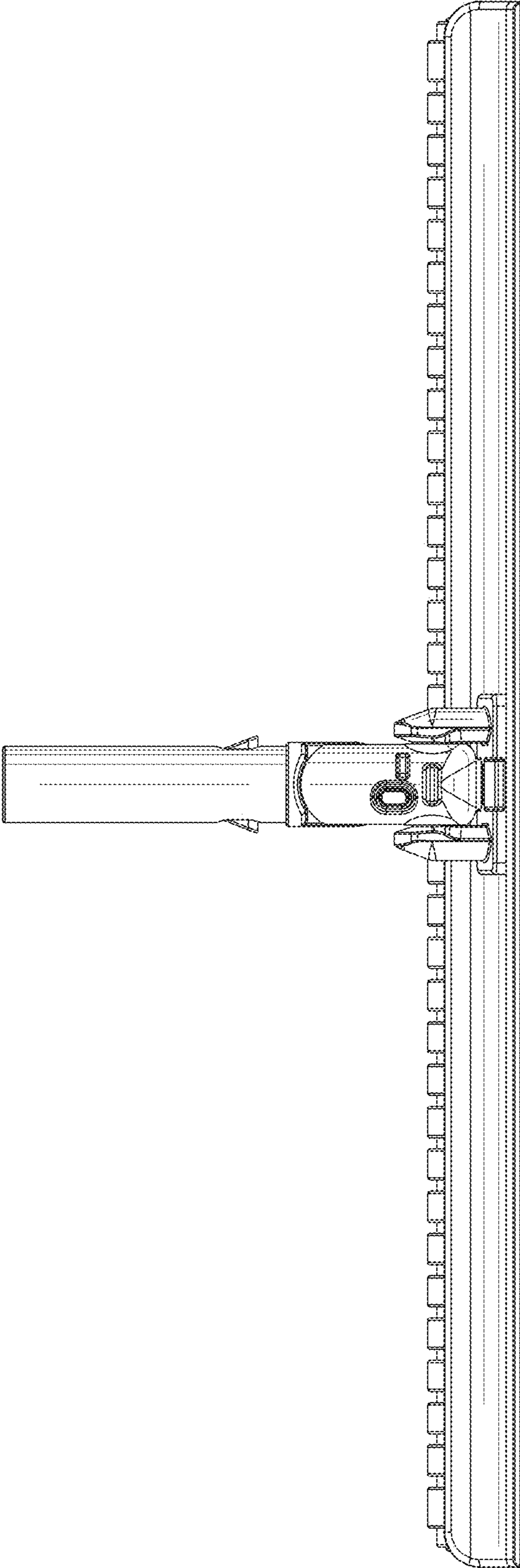


FIG. 2

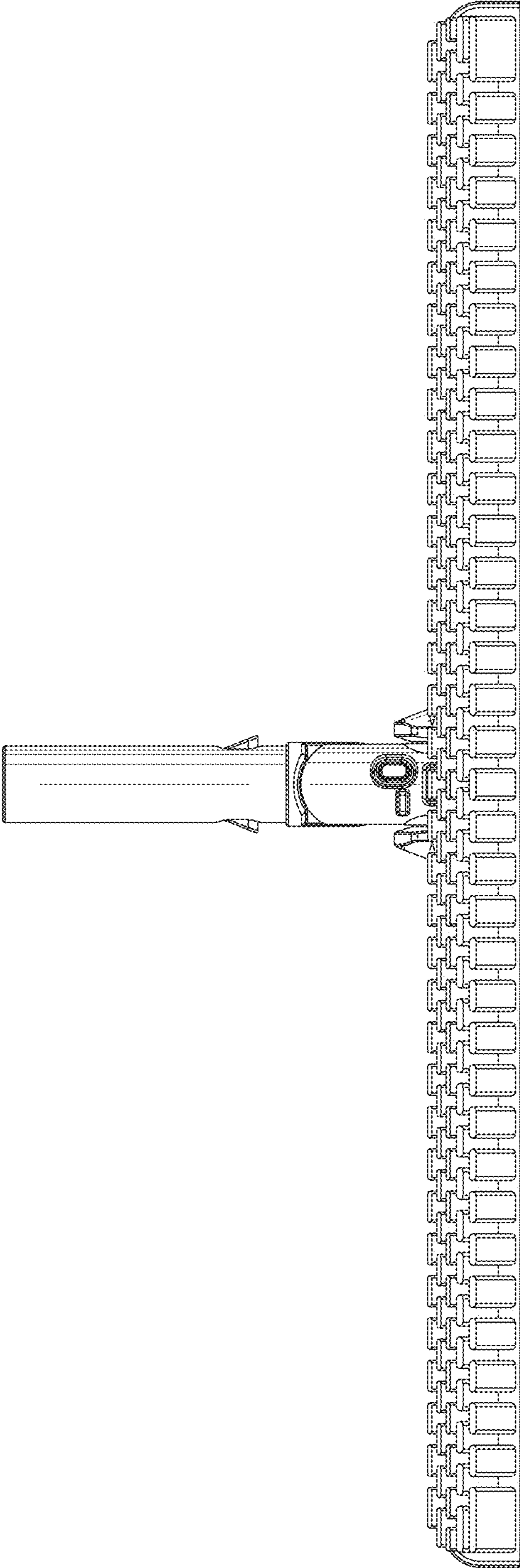


FIG. 3

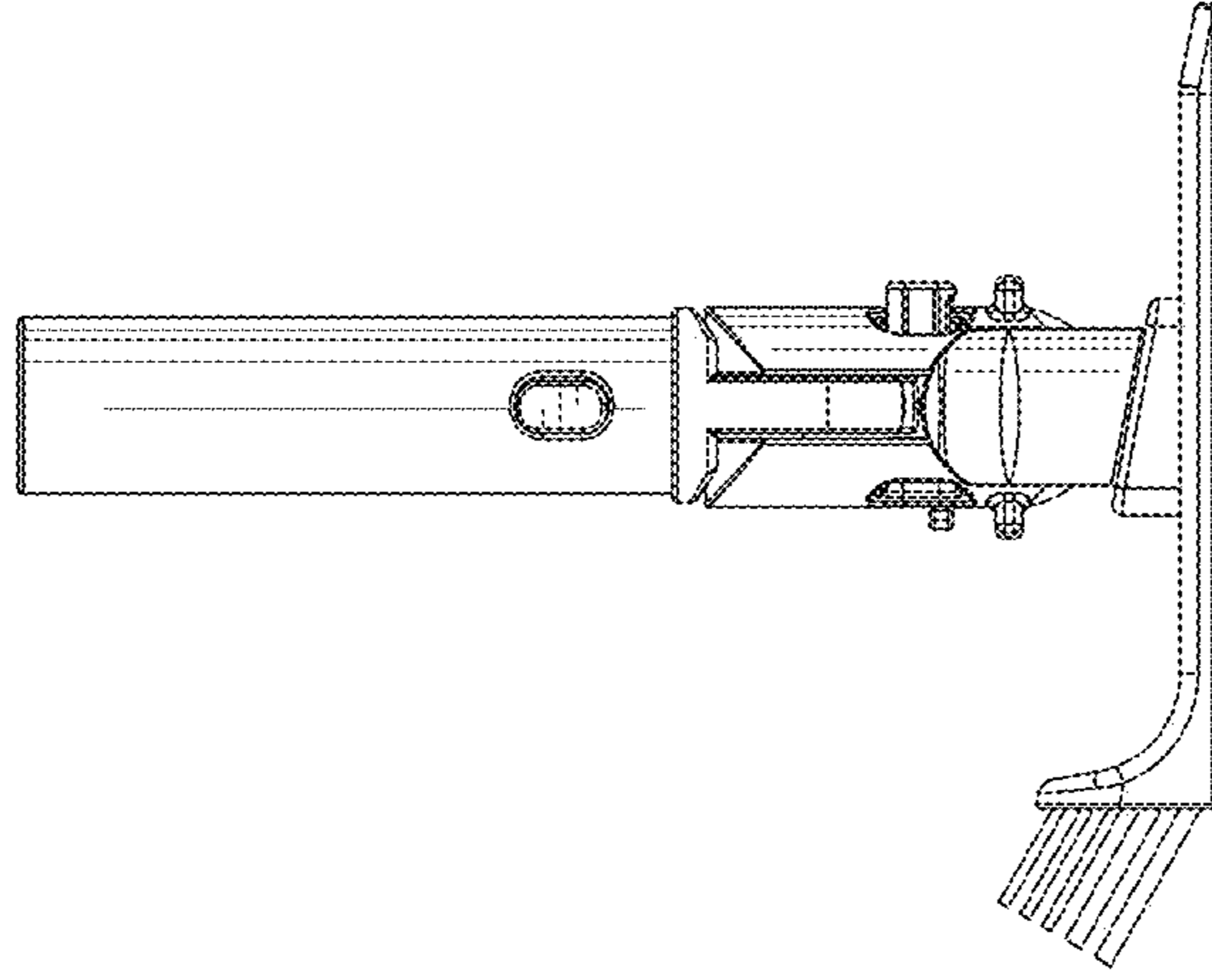


FIG. 5

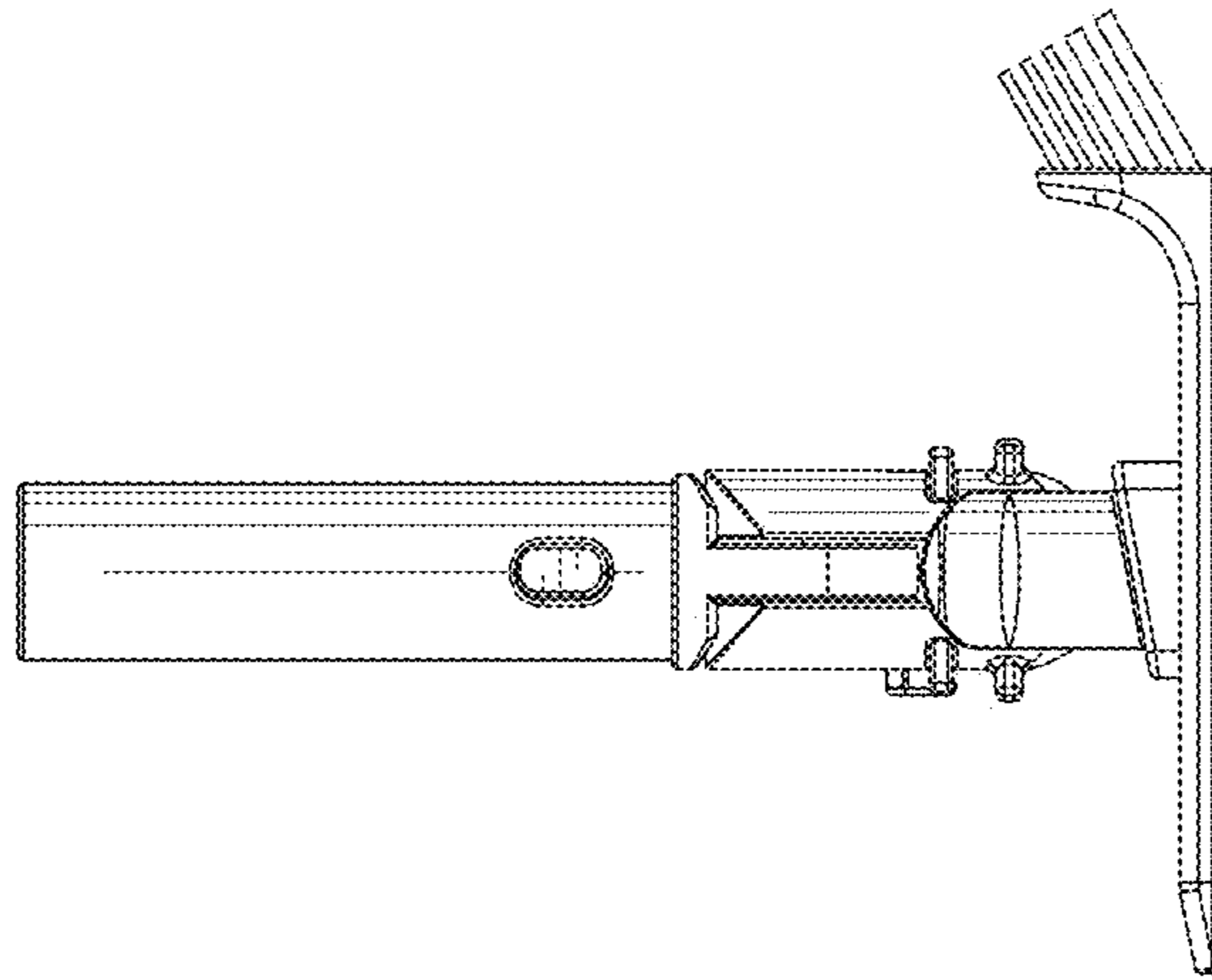


FIG. 4

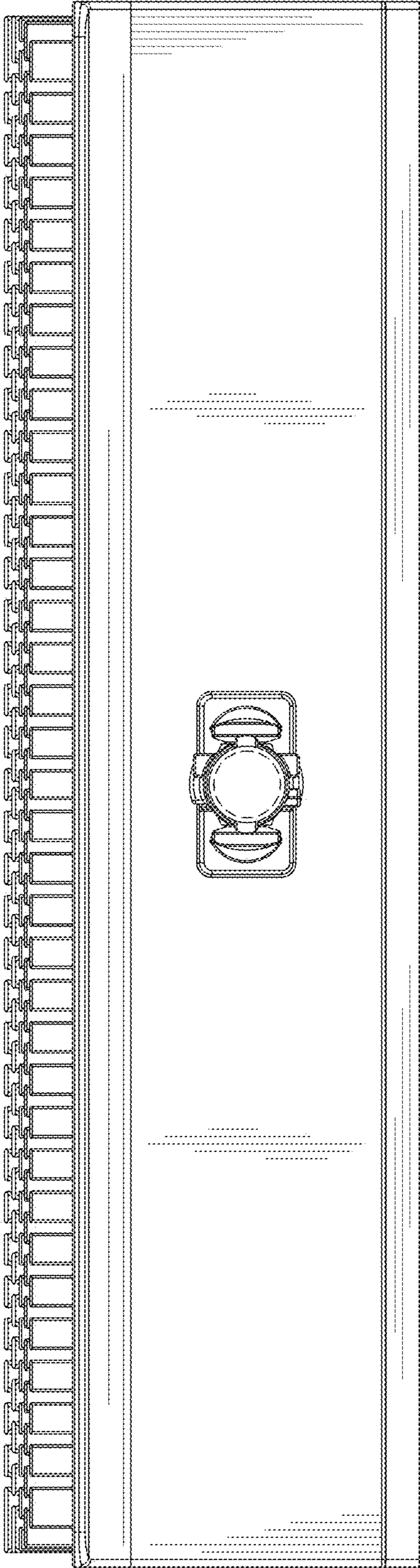


FIG. 6

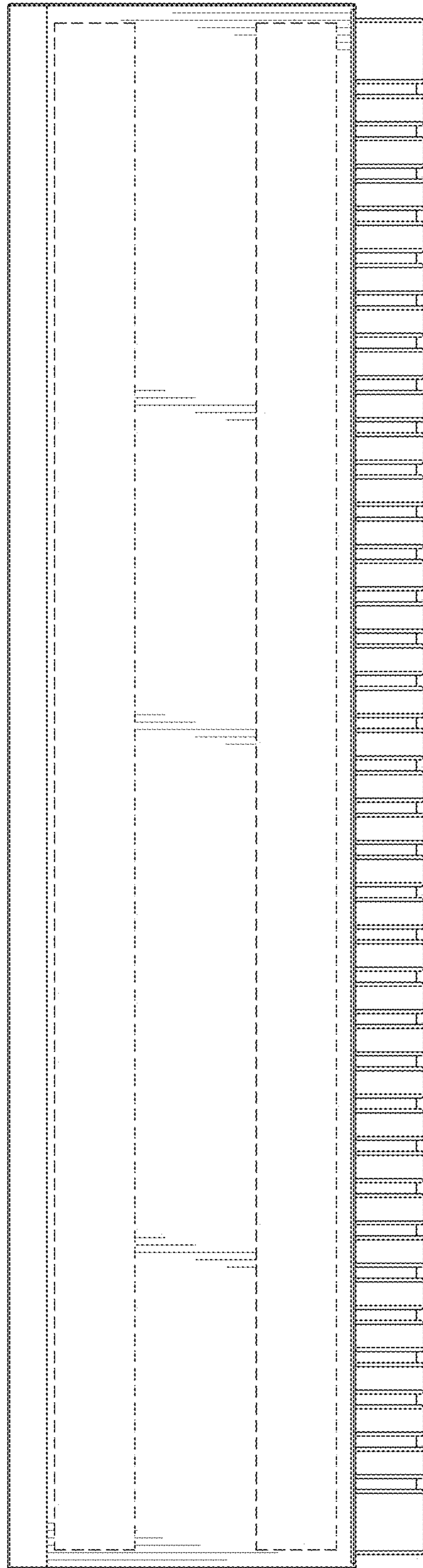


FIG. 7