



US00D901810S

(12) **United States Design Patent** (10) **Patent No.:** **US D901,810 S**
Su (45) **Date of Patent:** **** Nov. 10, 2020**

- (54) **BLADE**
- (71) Applicant: **Hong Ann Tool Industries Co., Ltd.,**
Taichung (TW)
- (72) Inventor: **Cheng-Wei Su,** Taichung (TW)
- (73) Assignee: **Hong Ann Tool Industries Co., Ltd.,**
Taichung (TW)
- (**) Term: **15 Years**
- (21) Appl. No.: **29/696,011**
- (22) Filed: **Jun. 25, 2019**
- (51) **LOC (12) Cl.** **07-05**
- (52) **U.S. Cl.**
USPC **D32/46**
- (58) **Field of Classification Search**
USPC D32/45-46; D8/20, 45; D28/45, 47
CPC A47L 13/08; A47L 13/02; B26B 21/56
See application file for complete search history.

- D495,827 S * 9/2004 Branden D28/47
- D497,219 S * 10/2004 Branden A47L 13/08
D28/47
- D532,741 S * 11/2006 Lin D12/220
- D785,249 S * 4/2017 Torres D28/54
- 2002/0007708 A1* 1/2002 Freeman B26D 7/015
83/36

(Continued)

FOREIGN PATENT DOCUMENTS

GB 2070922 * 5/1998

OTHER PUBLICATIONS

Plastic Razor Blades | Cool Tools, post date Sep. 30, 2016,
<https://kk.org/cooltools/plastic-razor-blades/>, site visited May 11,
2020.*

(Continued)

Primary Examiner — John R Yeh
(74) *Attorney, Agent, or Firm* — Alan D. Kamrath; Mayer
& Williams PC

(56) **References Cited**

U.S. PATENT DOCUMENTS

- D59,345 S * 10/1921 Gaisman D28/47
- D92,361 S * 5/1934 McIlHagga D28/47
- 2,019,122 A * 10/1935 Duritza B26B 21/56
30/346.58
- 3,889,370 A * 6/1975 Hale, III B26B 21/22
30/346.58
- D298,926 S * 12/1988 Rusnak D12/220
- D332,331 S * 1/1993 Hansen D32/41
- D383,267 S * 9/1997 Emmerth D32/46
- D388,572 S * 12/1997 Gold D32/46
- D395,216 S * 6/1998 Figueroa D32/46
- D406,221 S * 3/1999 Schmidt D8/20
- D422,185 S * 4/2000 Gold D8/20
- D426,758 S * 6/2000 Mitchell D32/46
- D449,709 S * 10/2001 Arey D28/45
- D457,269 S * 5/2002 Arey D28/47
- D479,108 S * 9/2003 Schmidt D8/20

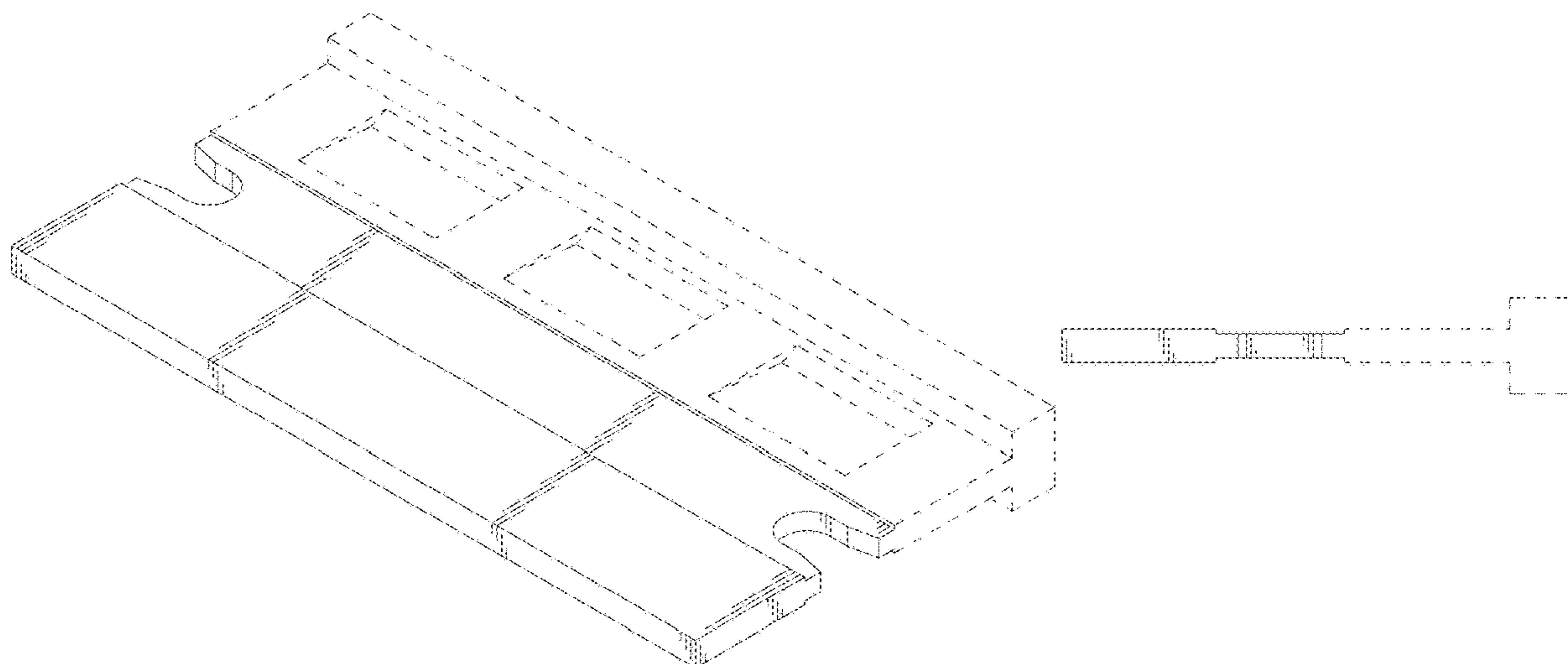
(57) **CLAIM**

The ornamental design for a blade, as shown and described.

DESCRIPTION

FIG. 1 is a perspective view of a blade showing my new design;
FIG. 2 is a front view thereof;
FIG. 3 is a rear view thereof;
FIG. 4 is a left view thereof;
FIG. 5 is a right view thereof;
FIG. 6 is a top view thereof; and,
FIG. 7 is a bottom view thereof.
The broken lines depict portions of the blade in which the design is embodied that are not considered part of the claimed design.

1 Claim, 7 Drawing Sheets



(56)

References Cited

U.S. PATENT DOCUMENTS

2003/0019111 A1* 1/2003 Korb B26D 1/0006
30/351
2013/0008036 A1* 1/2013 Gringer B29C 45/14426
30/346.59
2013/0096487 A1* 4/2013 Panian A61B 17/3209
604/22
2013/0283624 A1* 10/2013 Scimone B26B 21/56
30/346.55
2014/0000081 A1* 1/2014 Xu B26B 21/58
29/423
2017/0259441 A1* 9/2017 Scimone B26B 21/58

OTHER PUBLICATIONS

Mliscraper blade, Tineye image date, May 11, 2020, <https://tineye.com/search/8b03b4cbfd49089b6b4a2b966226fb2741162aa?page=1>, site visited May 11, 2020.*

* cited by examiner

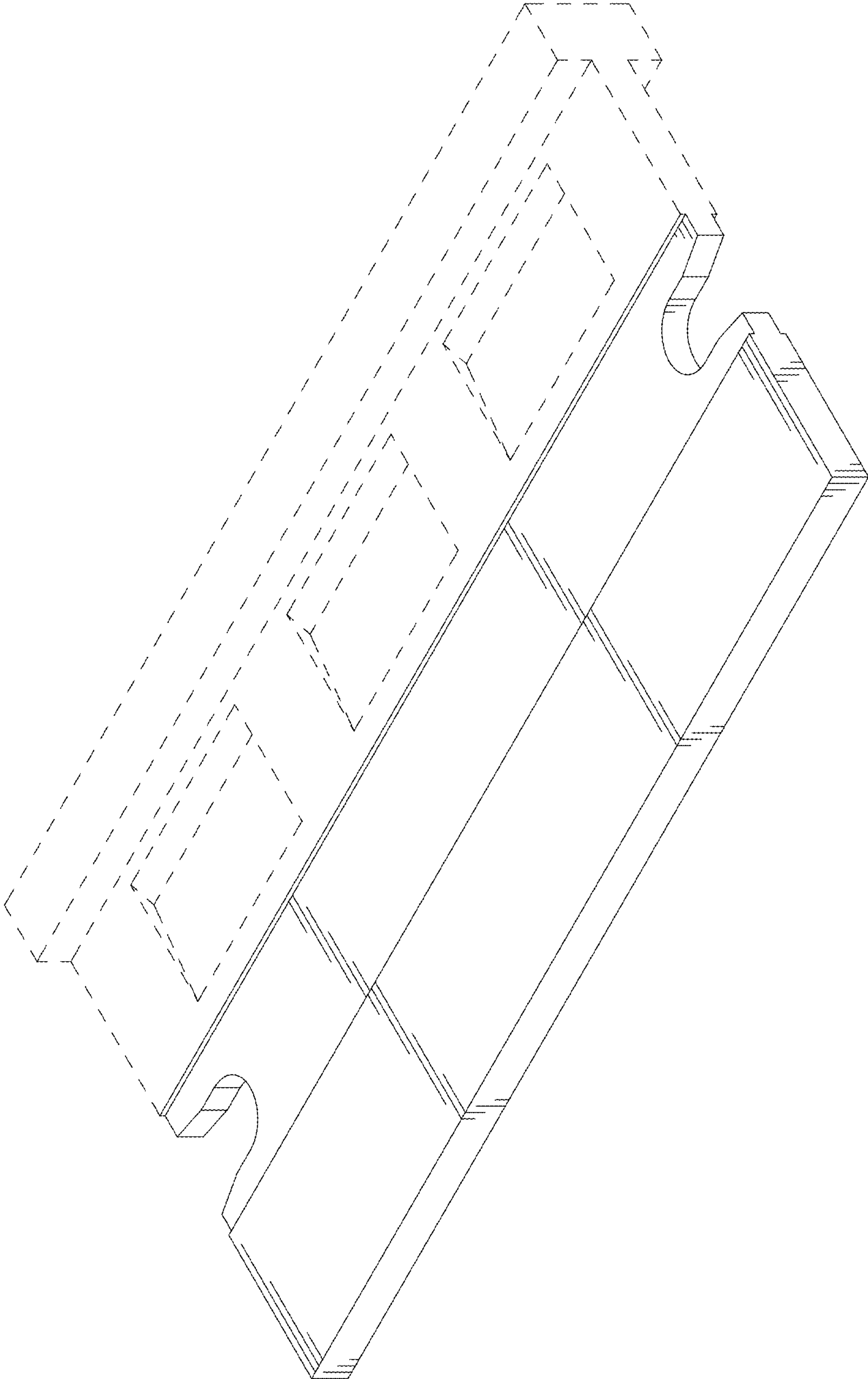


FIG. 1

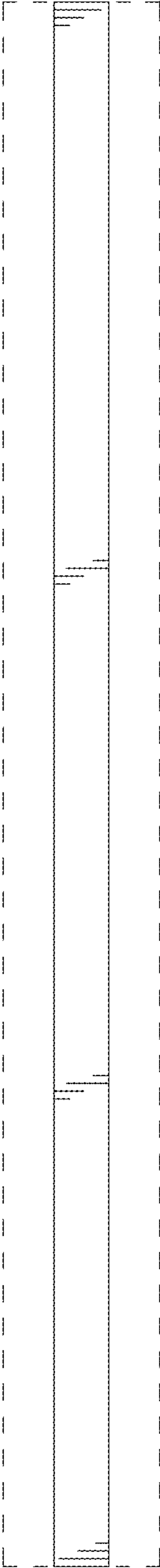


FIG. 2

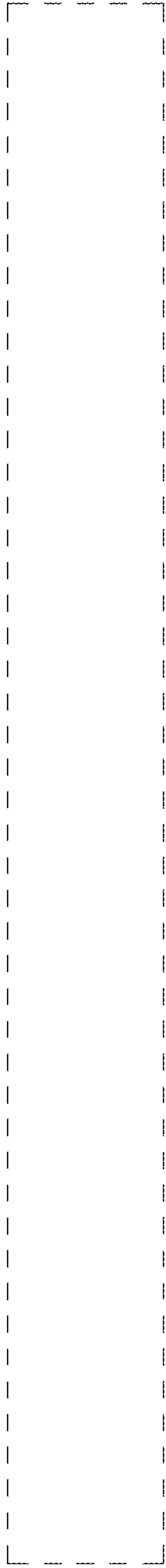


FIG. 3

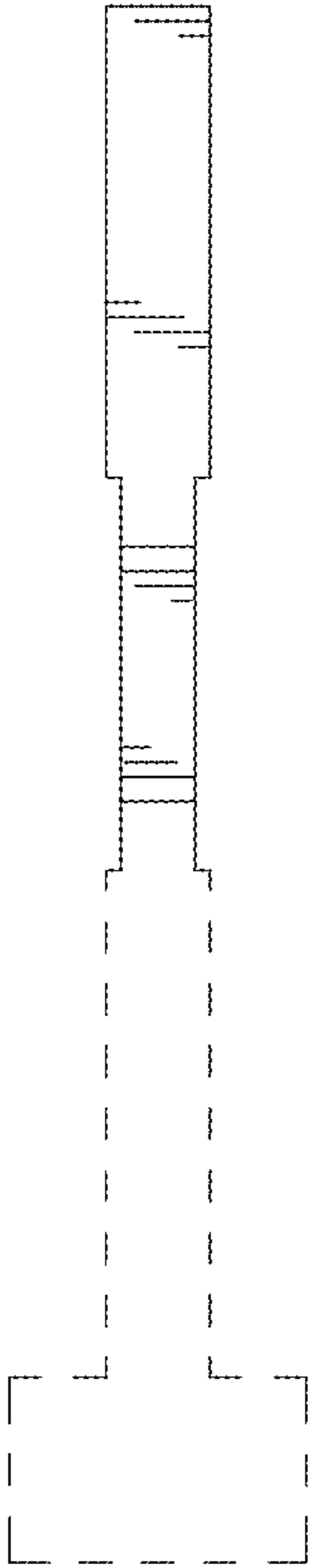


FIG. 4

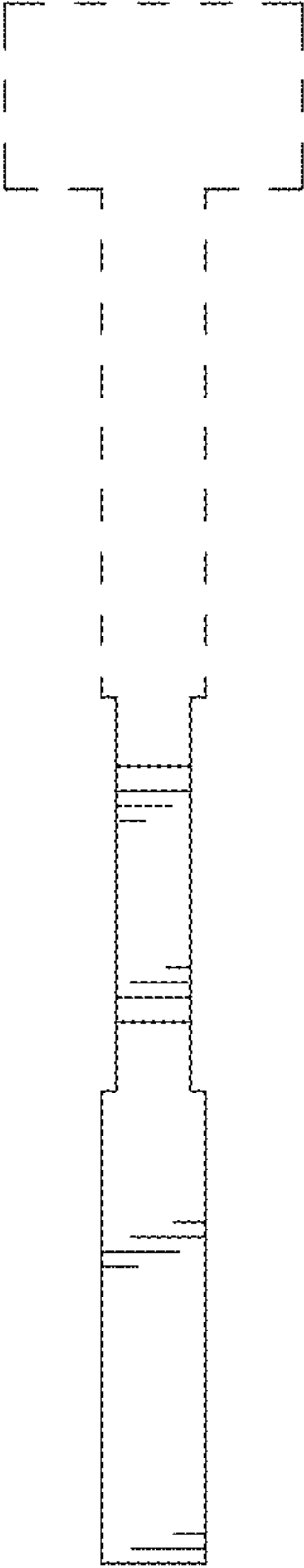


FIG. 5

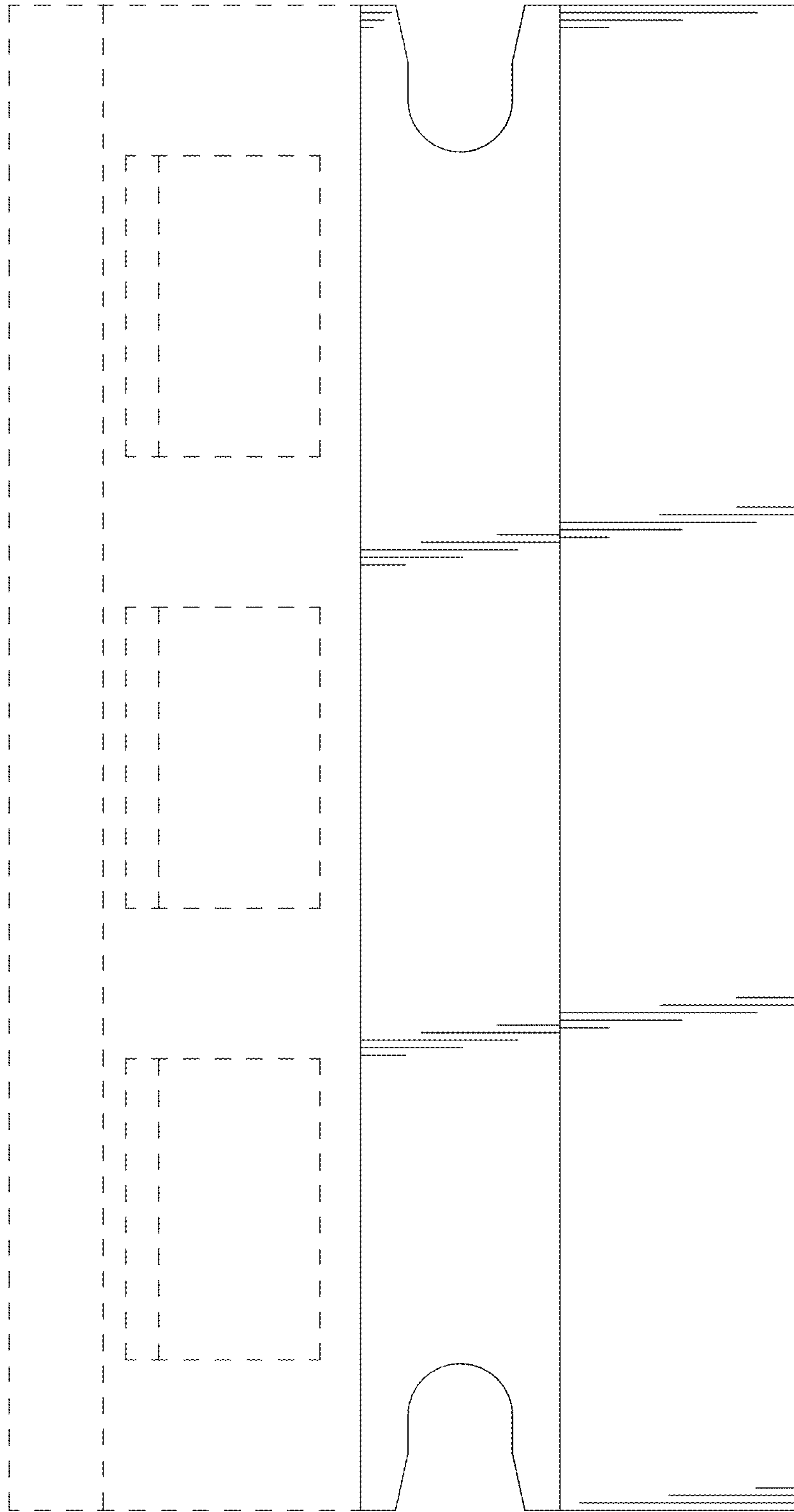


FIG. 6

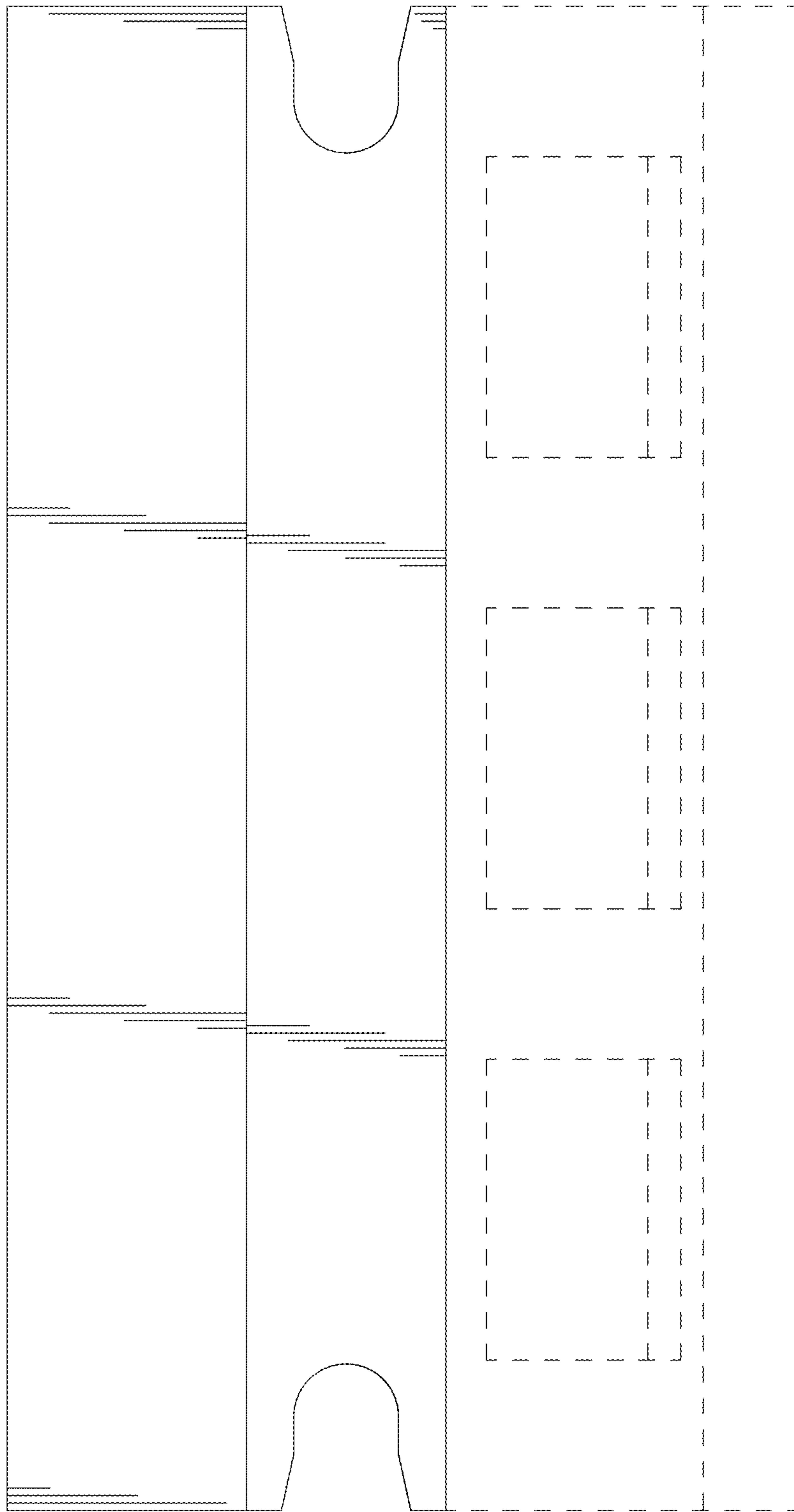


FIG. 7