



US00D901809S

(12) **United States Design Patent** (10) **Patent No.:** **US D901,809 S**
De La Torre et al. (45) **Date of Patent:** **** Nov. 10, 2020**

(54) **SCRAPER**
(71) Applicant: **Altar Beauty, LLC**, Pacific Palisades, CA (US)
(72) Inventors: **Gianna De La Torre**, Los Angeles, CA (US); **Jill Munson**, Pacific Palisades, CA (US)
(73) Assignee: **Altar Beauty LLC**, Pacific Palisades, CA (US)
(**) Term: **15 Years**
(21) Appl. No.: **29/693,089**
(22) Filed: **May 30, 2019**
(51) **LOC (12) Cl.** **07-05**
(52) **U.S. Cl.**
USPC **D32/46**
(58) **Field of Classification Search**
USPC D32/40-43, 46-49; D8/33, 92, 98
CPC A61B 17/14; B26B 19/38; B66F 15/00
See application file for complete search history.

5,857,237 A * 1/1999 Dranginis A47L 1/16
15/236.02
D446,097 S * 8/2001 Al-Askari D8/19
D487,685 S * 3/2004 Zeilinger D32/46
D759,328 S * 6/2016 Cleere D32/46
D841,271 S * 2/2019 Motsenbocker D32/46
D868,409 S * 11/2019 Kauffman D32/46
2006/0123959 A1 * 6/2006 Bocast B23D 61/006
83/13
2019/0315007 A1 * 10/2019 Zuidervaart B26B 19/3893

FOREIGN PATENT DOCUMENTS

CN 304387911 * 12/2017
WO WO D094910-022 * 3/2017

OTHER PUBLICATIONS

Jade Hair Massager, Aliexpress website 2020, site visited Apr. 26, 2020, <https://www.aliexpress.com/item/32958061065.html>.*

* cited by examiner

Primary Examiner — John R Yeh
(74) *Attorney, Agent, or Firm* — Kevin Schraven; Anooj Patel; Hankin Patent Law, APC

(56) **References Cited**
U.S. PATENT DOCUMENTS

D221,244 S * 7/1971 Lawrence D32/46
D261,217 S * 10/1981 Mutch D32/49
D269,944 S * 8/1983 Young D32/40
D276,564 S * 11/1984 Leininger D32/40
D293,266 S * 12/1987 Stanich D3/210
D297,494 S * 9/1988 Derting, Jr. D32/46
D301,973 S * 7/1989 Parella D8/349
D302,880 S * 8/1989 Terry D32/46
D303,859 S * 10/1989 Durgin D32/46
D312,155 S * 11/1990 Saunders D32/46
D320,492 S * 10/1991 Diebert D32/46
D327,553 S * 6/1992 Gringer D32/49
D349,592 S * 8/1994 Stoll 15/236.05
5,554,165 A * 9/1996 Raitt B23D 51/10
30/340

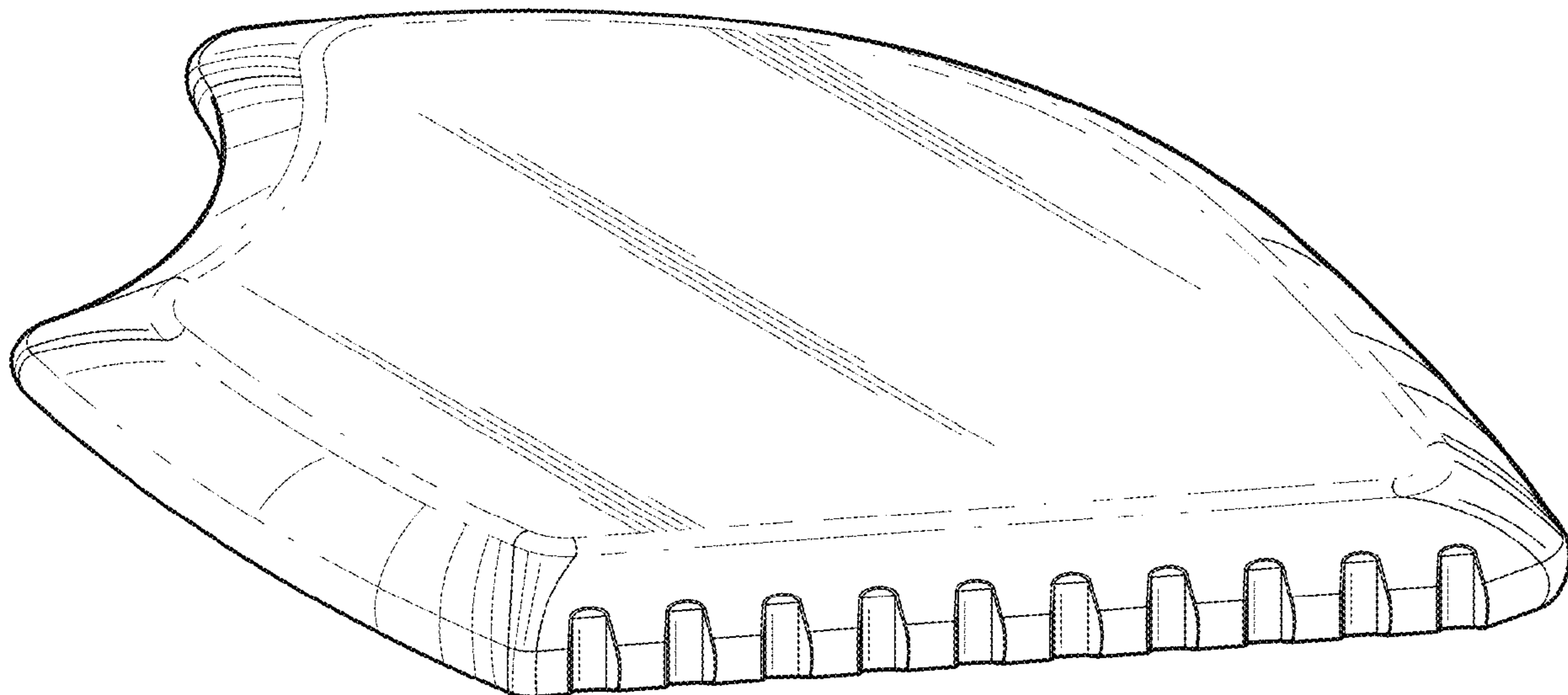
(57) **CLAIM**

The ornamental design for a scraper, as shown and described.

DESCRIPTION

FIG. 1 is a side perspective view of a scraper, showing my new design.
FIG. 2 is a side elevational view thereof.
FIG. 3 is a rear elevational view thereof.
FIG. 4 is a front elevational view thereof.
FIG. 5 is a top plan view thereof; and,
FIG. 6 is a bottom plan view thereof.

1 Claim, 4 Drawing Sheets



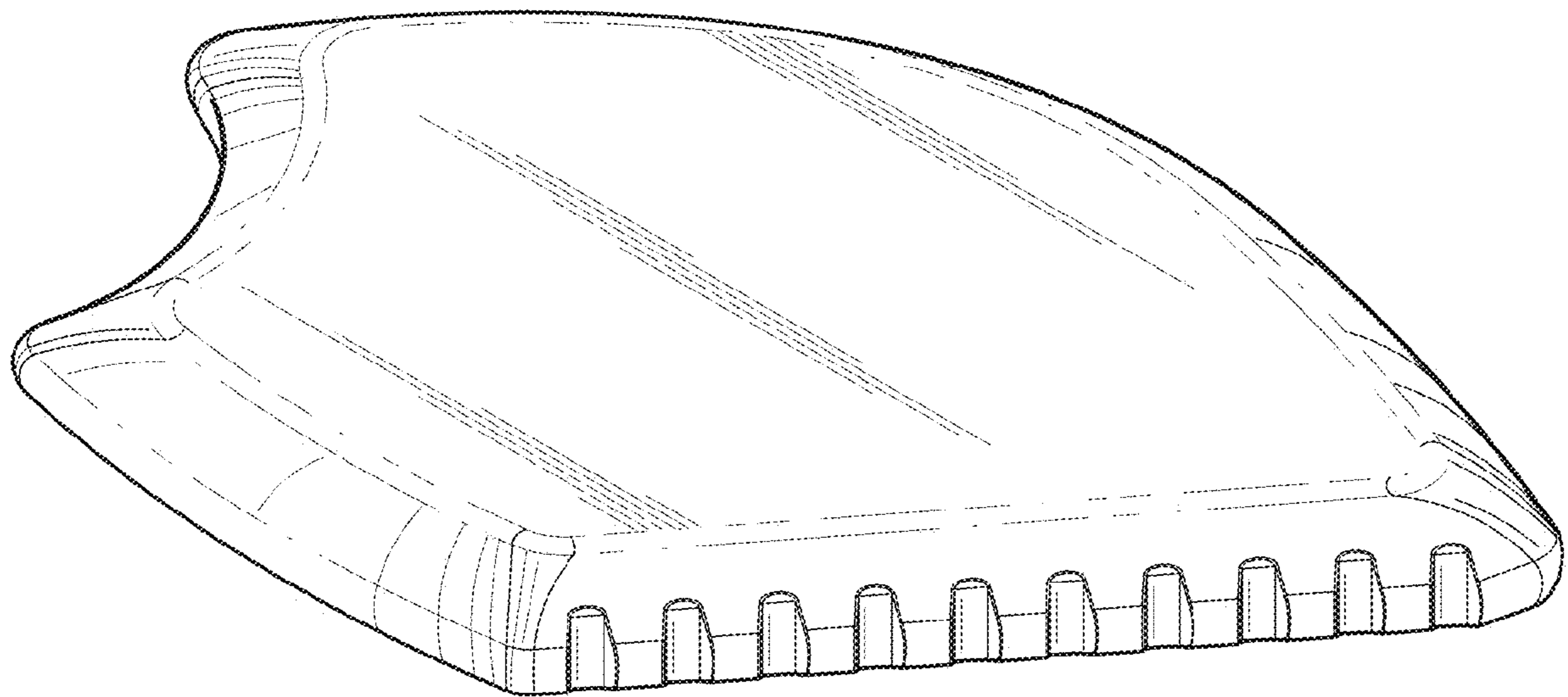


FIG. 1

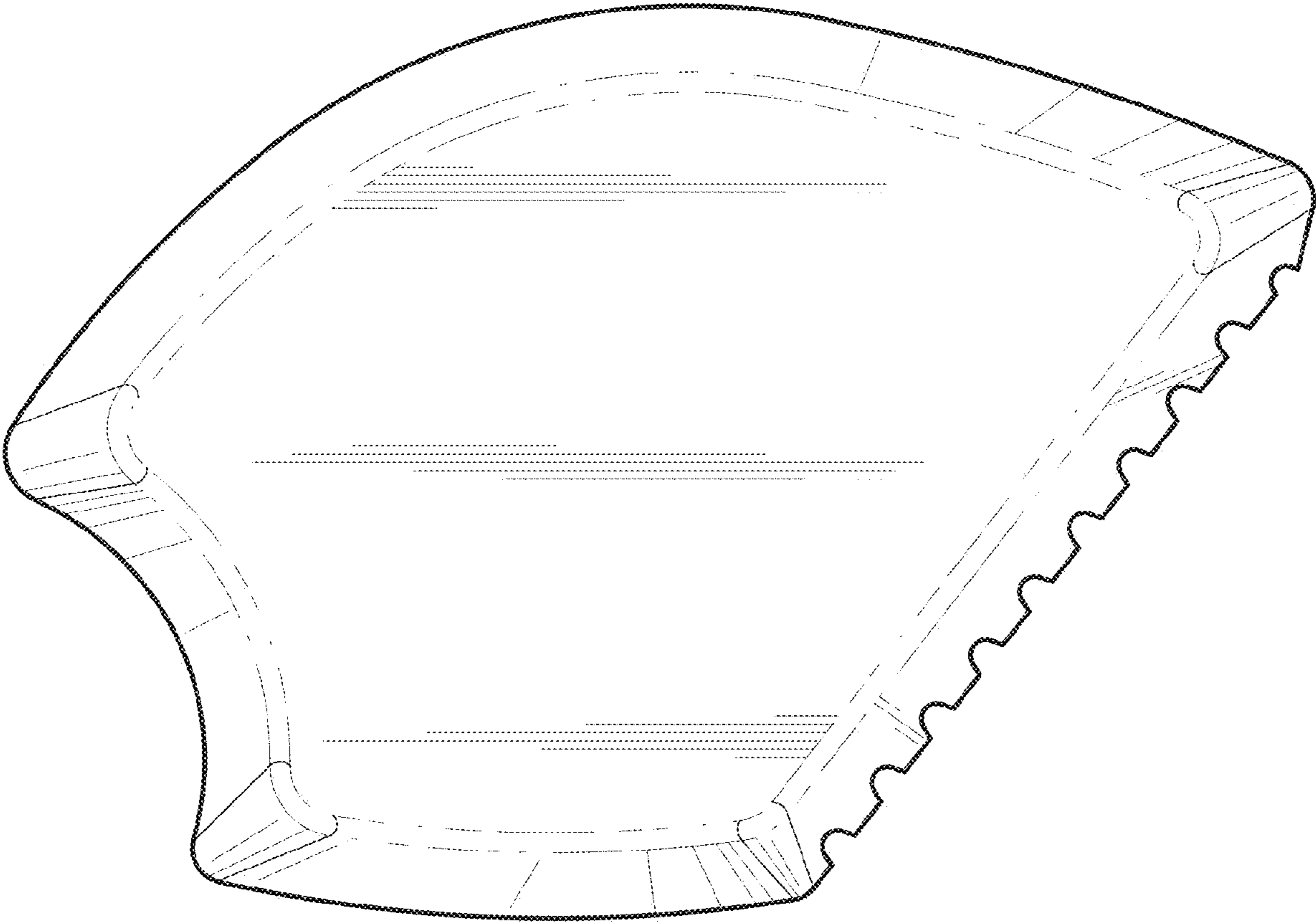


FIG. 2

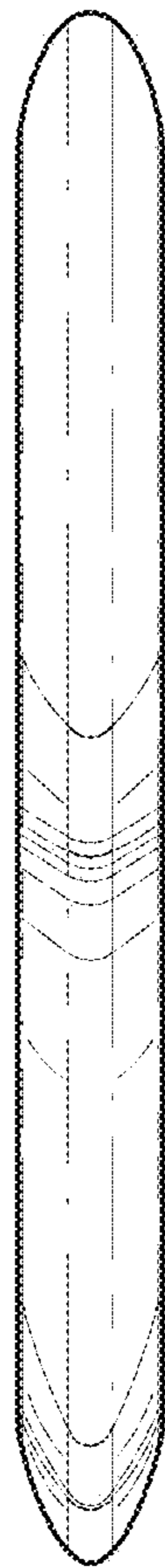


FIG. 3

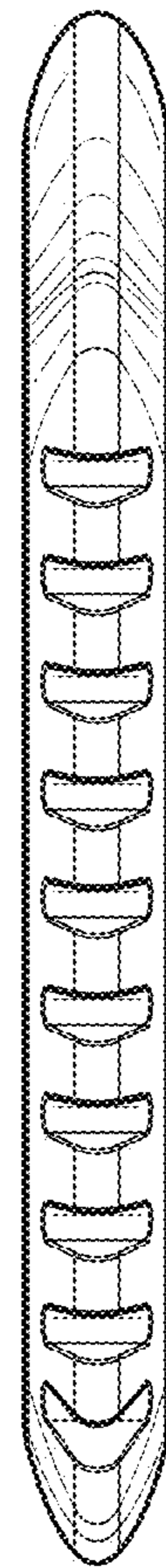


FIG. 4

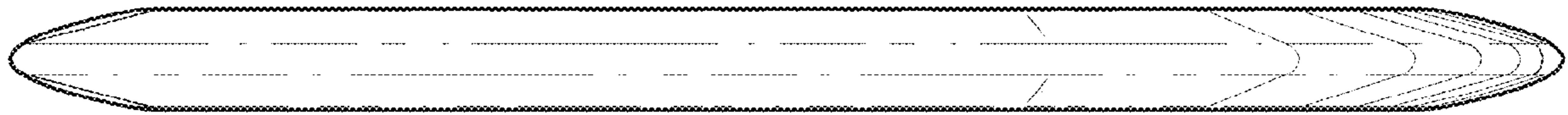


FIG. 5

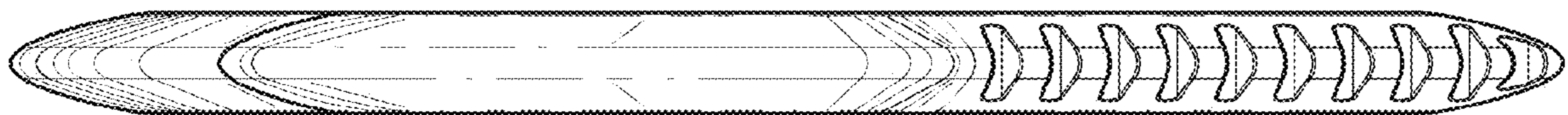


FIG. 6